

# PROROTOR™ ROTARY HAY RAKES

3114 | 3223 | 3226



# CLEAN ROTARY RAKING ACTION

New Holland ProRotor™ rotary hay rakes improve your forage quality by cleanly raking each field and retaining more leaves. The secret is in the rotary raking action. Like a mechanical pitchfork, each tine arm uses flexible tines to lift and carry the crop to the windrow. Unlike ground-engaging rakes, the long ProRotor tines don't need to touch the soil, so there is less risk of contaminants being swept into the windrow. The gentle rotary action builds a well-shaped windrow without roping, and promotes continued drying after the hay is raked. That means you can rake earlier when the crop is at a higher moisture content for better leaf retention, resulting in higher forage quality.

ProRotor™ 3223



## A CHOICE OF MODELS

New Holland offers three ProRotor models with working widths ranging from 13'9" to 25'7" to suit individual farm needs. Choose the ProRotor™ 3114 single-rotor, side-delivery rake, the ProRotor™ 3223 dual-rotor, side-delivery rake or the ProRotor™ 3226 dual-rotor, center-delivery rake.

## CHOICES IN WINDROW FORMATION

ProRotor rakes offer you many choices on how to form your windrow. The single-rotor ProRotor 3114 design allows you to rake individual windrows or double windrows in two passes. The dual-rotor "offset" design of the ProRotor 3223 allows operators to rake two individual windrows or double up to rake one large windrow with every pass. The dual-rotor, center delivery ProRotor 3226 quickly gathers two windrows or swaths into an easy-to-bale windrow. This rake also features the option to raise one of the rotors independently to clean up headlands or turn windrows.



## NARROW AND EASY TRANSPORTING

ProRotor rakes give you plenty of clearance to cross windrows without catching the raked hay and allow you to move between fields easily. You can fold the guards mechanically and quickly remove the tine arms to achieve a narrow transport width for safety on the road, and to take up less space in the shed when not in use.



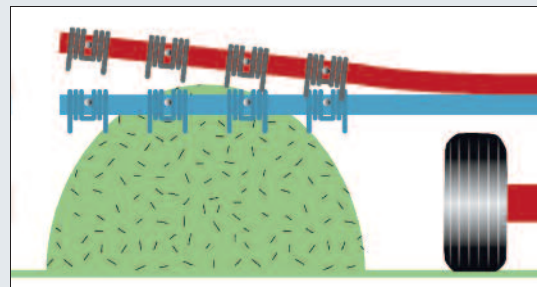
ProRotor™ 3114



ProRotor™ 3226

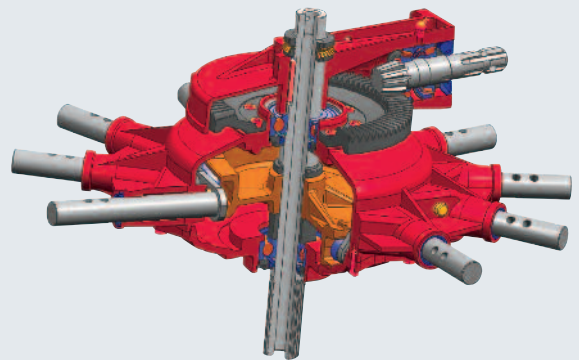
### ADAPT TO FIELD CONDITIONS

You can easily adjust swath width on the ProRotor 3114 and 3223 by extending the windrow curtain. Simply loosen two hand-tightened toggle screws and extend or retract the curtain to the desired width setting. The 3223 features a rear rotor equipped with 3D terrain following, which allows each rotor to follow the contours of the ground independently. The tricycle undercarriage of the ProRotor 3226 also allows for pivoting in three dimensions for excellent ground following. You can also hydraulically adjust the working width of the rotors on the ProRotor 3226 right from the tractor seat. No tools needed!



### HIGH-LIFT TINE ACTION CREATES EASY-TO-BALE WINDROWS

ProRotor tine arms are different, and that difference provides more capacity and better performance than rakes with straight or radial-mounted tine arms. ProRotor tine arms are curved and mounted at a tangent so the tines are in optimum position to pick up and deliver the hay to the windrow. The cam action and specially formed curve of the arms lift the tines quickly from the windrow with more clearance, resulting in a more even and consistent windrow.



### MAINTENANCE-FREE PROROTOR RAKE GEARBOXES

The sealed rotor gearbox is lubricated by oil and requires only periodic daily maintenance of the crown and pinion, saving you time and providing reliable service. Tine arms are clamped and bolted providing secure and reliable tine arm attachment. ProRotor rotary hay rakes normally operate at less than 540 RPM for optimal raking quality and the gentlest handling of legume crops.



### FLEXIBLE RAKE TINES

The tines are specially formed to provide equal spacing along the tine arm for maximum coverage and to reduce missed crop for clean raking.

# NEW HOLLAND PROROTOR™ ROTARY HAY RAKE SPECIFICATIONS

MODELS	3114	3223	3226
DIN* working width, ft. in. (m)**	13' 9" (4.2)	21' 8" (6.6) Single windrow 23' 3" (7.1) Double windrow	23' to 25' 7" (7 to 7.8)
Transport width, ft. in. (m)	6' 7" (2.0)	7' 3" (2.2)	9' 2" (2.8)
Transport length, ft. in. (m)	12' 10" (3.9)	24' 3" (7.4)	19' 4" (5.9)
Transport height with arms removed, ft. in. (m)	—	—	11' 4" (3.4)
Swath delivery	Left	Left (1 or 2 windrows)	Center
Rotor articulation	—	3D terrain following	3D terrain following
Number of rotors	1	2	2
Rotor diameter, ft. (m)	11' (3.3)	9' 8" (2.9)	11' (3.4)
Number of arms per rotor unit	11	11F / 12R	11
Number of double tines per arm	4	4	4
Tine diameter, in. (mm)	.35" (9)	.35" (9)	.35" (9)
Tine arm style	Tangential/Curved	Tangential/Curved	Tangential/Curved
Height adjustment	Hydraulic lift/Mechanical stop	Hydraulic lift/Mechanical stop	Mechanical/Crank on gear
Folding or removable tine arms	Yes	Yes	Yes
Hitch type	Drawbar trailed	Drawbar trailed	2 pt lower links (CAT II) trailed
Rotor lift system	Hydraulic	Hydraulic	Hydraulic
Front swath curtain	—	Optional	—
Minimum recommended PTO, hp (kW)	20 (15.0)	50 (37.0)	50 (37.0)
Hydraulic requirement	1 Single acting	1 Single acting / 1 Double acting	1 Single acting / 1 Double acting
PTO speed	540 RPM	540 RPM	540 RPM
Standard tires	18.5x8.5-8 PR6	18.5x8.5-8 PR6	10.0/75-15.3 frame tires 16x6.5-8 PR6 undercarriage tires
Undercarriage style	Tandem axle	Front: Tandems Rear: Tandems with guide wheels	Tricycle w/4 tires Optional pivoting tandem axles (tricycle w/6 tires)
Weight, lbs (kg)	1,256 (570)	2,976 (1350)	3,616 (1640)
Clean swept working width, ft. in. (m)	9' 8" (2.95)	16' 1" (4.9)	2 x 9' 8" (2.95)

\*DIN = Deutschland Industrial Norm \*\*Clean swept raking width plus the maximum width of the windrow — Not Available

For optimal raking quality and the gentlest handling of legume crops, ProRotor rotary hay rakes may be operated at PTO speeds less than 540 RPM.



Learn more at [www.newholland.com/na](http://www.newholland.com/na)



Design, materials and/or specifications are subject to change without notice and without liability therefor. Specifications are applicable to units sold in Canada, the United States, its territories and possessions, and may vary outside these areas.

© 2012 CNH America LLC. All rights reserved. New Holland and CNH Capital are registered trademarks of CNH America LLC. Any trademarks referred to herein, in association with goods and/or services of companies other than CNH America LLC, are the property of those respective companies.



Safety begins with a thorough understanding of the equipment. Always make sure you and your operators read the Operator's Manual before using the equipment. Pay close attention to all safety and operating decals and never operate machinery without all shields, protective devices and structures in place.