

# LINKAGE PARTS

## AND FARM / INDUSTRIAL HARDWARE



**CNH** ORIGINAL PARTS

**NEW HOLLAND** AGRICULTURE



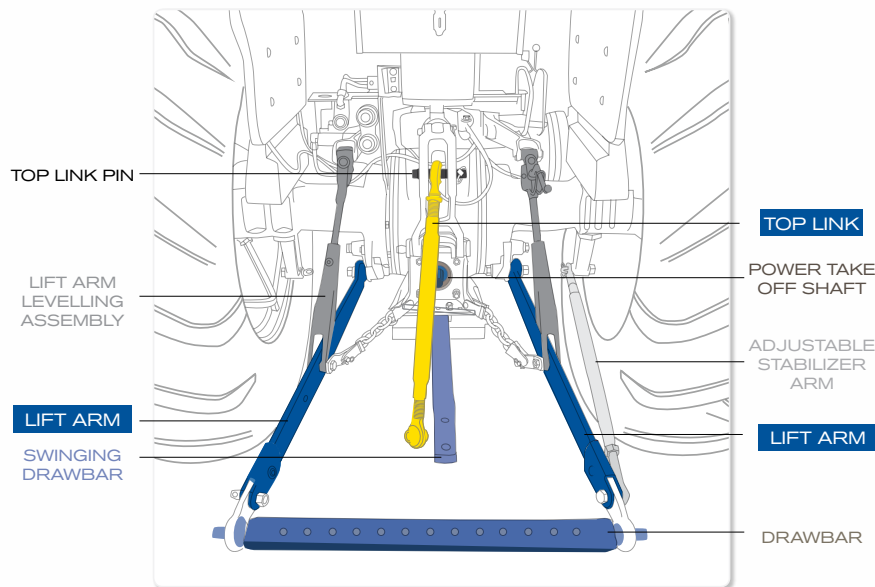
# TABLE OF CONTENTS

PRODUCT	PAGE(S)	PRODUCT	PAGE(S)
Ball Sockets		Accessories.....	33-35
Forged Weld-On Ball Ends.....	8	Lift Arms and Lift Arm Parts.....	6
Lift Arm.....	7	Pins, Hitch	
Top Link.....	7	Bent.....	21
Balls		Blue/Gray Head.....	20
Hitch.....	26	Clevis Pins.....	16
Replacement.....	9	Double Lock.....	19
Bushings, Reducer		Drop-Forged.....	17
Lift Arm.....	10	Fixed-Handle.....	16
Top Link.....	10	Red Head.....	19
Clevises		Safety-Lock.....	21
Farm.....	42	Swivel-Handle.....	18
General Purpose.....	41	Pins, Miscellaneous	
Mid-Links.....	42	Detent Pins.....	24
Straight.....	40	Draw Pins (Lift Arm Pins).....	14
Twisted.....	40	Draw Pins (Clevis Type).....	13
T-Handle.....	41	Hydraulic Cylinder Pins.....	25
Utility.....	41	Locking Pins.....	24
Cylinder Stroke Control Segments.....	26	Lynch Pins.....	23
Drawbars		"R" Clip Pins.....	22
Drawbars.....	11	Stabilizer Pins.....	13
Accessories.....	11	Top Link Pins.....	15
Drum Pump, 5-Gallon.....	37	Cotter Pin Kit.....	22
Farm Accessories		Raincaps.....	38
Hay Hook.....	36	Top Link, Repair Ends.....	6
Miscellaneous.....	36	Stabilizer	
Forged Top Links.....	5	Arms.....	12
Harrow Teeth.....	27	Brackets.....	12
Jacks		Chains.....	12
Ratchet.....	25	Stay Straps.....	12
Weld Collar.....	28	Tool Boxes.....	38
Flange.....	29	Wheel Spinners.....	39
Weld Collar, zinc plated.....	30	Index.....	43-45
Marine and Recreational.....	31		
Heavy Duty Square.....	32		

# THE THREE-POINT HITCH SYSTEM

Many of the products in this catalog are components of the typical tractor three-point hitch system that is standard on almost all farm tractors today. See illustration below. The basic function of the system is the attachment and adjustment of agricultural implements. The three primary parts of the system are the top link and two lower lift arms as shown in yellow and red in illustration.

Special pins are used to fasten the implement at these three points: top link pins and draw pins (lift arm pins). Adjustment of one or all of these components allows the tractor operator to raise, lower or tilt an implement. The three-point linkage parts described in this catalog are built to standard specifications set by the American Society of Agricultural Engineers (ASAE).



The three primary parts of the 3 point hitch system are top link and two lower lift arms

## TOP LINK CONNECTION

Top link pins are always unthreaded and are held in place by either a lynch pin, or in some cases, a large "R" clip pin. Top links and top link pins vary in length, but their respective ball socket holes and pin diameters are standardized by horsepower Category.

## LIFT ARM CONNECTION

Most lift arm pins are threaded on the end that bolts to the implement bracket. The unthreaded end with the cross hole accommodates the ball socket of the lift arm. The lift arm is secured on the pin with a lynch pin or large "R" clip pin. Lift arms and lift arm pins vary in length, but their respective ball socket holes and pin diameters are standardized by horsepower Category.

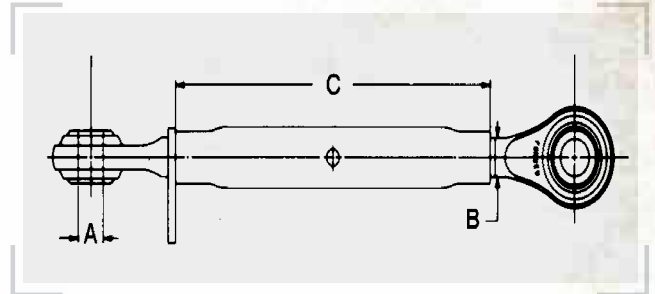
MAXIMUM DRAWBAR HORSEPOWER	TOP LINK PIN DIAM.	PULL OR DRAW PIN DIAM.	STANDARD LIFT ARM SPACING
Category 0 - up to 20	5/8"	5/8"	20"
Category 1 - up to 45	3/4"	7/8"	26"
Category 2 - 40 to 100	1"	1-1/8"	32"
Category 3 - 80 to 225	1-1/4"	1-7/16"	38"
Category 4 - 135 to 300	1-3/4"	2"	46"

Category 0, 1, 2, 3 and 4 are used to classify tractors by drawbar horsepower.

The table shows the dimensions and the horsepower ratings that are associated with these five categories.

# FORGED TOP LINKS

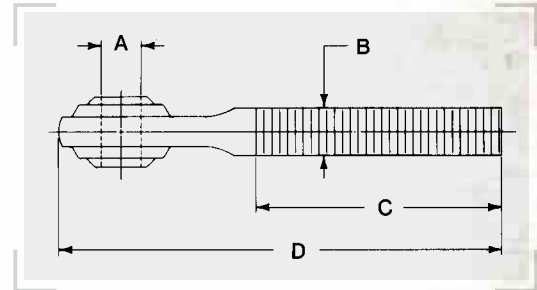
Quality forged top links available in Category 0, 1, 1 & 2 combination, 2 and 3 sizes. All top links are yellow zinc plated unless otherwise specified. The ends are clear zinc plated.



PART NUMBER	CAT.	A	B	C	CLOSED LENGTH	OPEN LENGTH	COLOR	PACKAGE QTY.	WEIGHT (lbs.)
		PIN HOLE SIZE	THREADS	BODY LENGTH					
87299165	0	5/8"	3/4" NC	7-5/8"	11"	16"	Plated	1	2.5
87299166	1	3/4"	1-1/8" NC	13-1/4"	17"	26"	Plated	1	7.4
87299167	1	3/4"	1-1/8" NC	16"	21"	31"	Blue	1	7.6
87299168	1	3/4"	1-1/8" NC	16"	21"	31"	Plated	1	7.6
87299170	1	3/4"	1-1/8" NC	20"	25"	35"	Blue	1	9.1
87299171	1	3/4"	1-1/8" NC	20"	25"	35"	Plated	1	9.1
87299172	1	3/4"	1-1/8" NC	24"	29"	39"	Plated	1	8.9
87299173	1 & 2	3/4" & 1"	1-1/8" NC	16"	21"	32"	Blue	1	9.1
87299174	1 & 2	3/4" & 1"	1-1/8" NC	16"	21"	32"	Plated	1	9.1
87299175	1 & 2	3/4" & 1"	1-1/8" NC	20"	25"	35"	Plated	1	10.1
87299176	2	1"	1-1/8" NC	16"	21"	31"	Plated	1	10
87299178	2	1"	1-1/8" NC	20"	25"	37"	Plated	1	10
87299179	2	1"	1-1/4" NC	15-3/4"	20"	30"	Plated	1	10.7
87299180	2	1"	1-1/4" NC	16"	23"	32"	Blue	1	12
87299181	2	1"	1-1/4" NC	20"	27"	37"	Plated	1	12.6
87299183	3	1-1/4"	1-3/8" NC	19-1/2"	25-1/2"	37"	Black	1	20

# TOP LINK REPAIR ENDS

Forged and welded screw-in repair ends for Category 0, 1, 2 and 3 top links. Clear zinc plated.



PART NUMBER	CAT.	TYPE	A	B	C	D	PACKAGE QTY.	WEIGHT (lbs.)
			PIN HOLE SIZE	THREAD DIAM.	THREAD LENGTH	OVERALL LENGTH		
87299188	1	Forged	3/4"	1-1/8" NC (LH)	6"	10"	1	2.4
87299189	1	Forged	3/4"	1-1/8" NC (RH)	6"	10"	1	2.4
87299190	2	Forged	1"	1-1/4" NC (LH)	5-1/2"	10"	1	3
87299191	2	Forged	1"	1-1/4" NC (RH)	5-1/2"	10"	1	3
87299192	2	Forged	1"	1-1/8" NC (RH)	6-1/2"	11"	1	3
87299193	2	Forged	1"	1-1/8" NC (LH)	6-1/2"	11"	1	8
87299194	3	Forged	1-1/4"	1-3/8" NC (RH)	7-1/4"	12-1/8"	1	8
87299195	3	Forged	1-1/4"	1-3/8" NC (LH)	7-1/4"	12-1/8"	1	8

# LIFT ARMS AND LIFT ARM PARTS

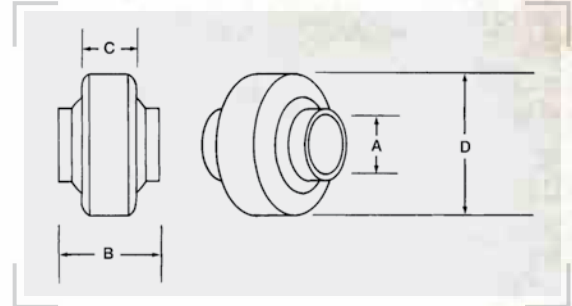


Category 1 lift arms and leveling assembly.

PART NUMBER	DESCRIPTION	PACKAGE QTY.	WEIGHT (lbs.)
87299729	Category 1 right- or left-hand forged lift arm; fits all Ferguson models, Ford 2N, 8N, 9N, NAA, Massey-Ferguson 35, 50, Oliver 550 and Oliver 3-point conversion, John Deere 1010; 7/8" pin holes; 31-3/4" ball centers; 34-1/2" overall length	1	11.7
87299731	Category 1 lift arm leveling assembly; 18-1/2" closed; 25" open length; 7/8" NF thread diameter; replaces Ford NCA577A	1	6

# TOP LINK BALL SOCKETS

Weld-on top link ball sockets to fit Category 0 through Category 3 tractors. Available in black oxide and yellow zinc dichromate plated versions.



PART NUMBER	CAT.	DESCRIPTION	A	B	C	D	PACKAGE QTY.	WEIGHT (lbs.)
			PIN HOLE SIZE	LENGTH THRU BORE	SLEEVE WIDTH	SLEEVE O.D.		
9624600E	1	Standard duty, black oxide	3/4"	1-5/8"	3/4"	2"	2	0.6
9624601E	2	Standard duty, black oxide	1"	1-3/4"	7/8"	2-3/8"	2	0.8
9624602E	2	Heavy duty, black oxide	1"	1-3/4"	1-3/16"	2-3/4"	2	1.8
9624603E	3	Standard duty, black oxide	1-1/4"	1-3/4"	1-9/32"	3-1/8"	2	1.8
SPC214E	2	Standard duty, plated	1"	1-3/4"	7/8"	2-3/8"	2	0.8
SPC215E	1	Heavy duty, plated	3/4"	1-5/8"	7/8"	2-1/8"	2	0.7
SPC216E	1	Standard duty, plated	3/4"	1-5/8"	3/4"	2"	2	0.6
SPC228E	2	Standard duty, plated	1"	1-1/4"	7/8"	2-3/8"	2	0.8
SPC235E	1 & 2	Standard duty, black oxide	3/4" & 1"	1-1/2" & 1-1/4"	7/8"	2-3/8"	2	0.6

# LIFT ARM BALL SOCKETS

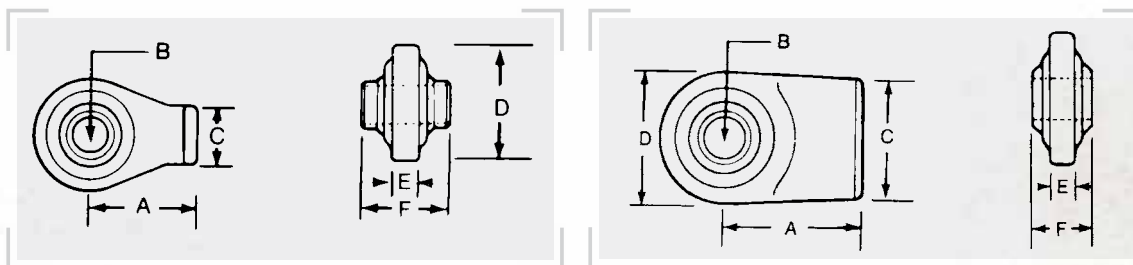
Weld-on lift arm ball sockets to fit Category 0 through Category 3 tractors. Available in black oxide and yellow zinc dichromate plated versions.



PART NUMBER	CAT.	DESCRIPTION	PIN HOLE SIZE	LENGTH THRU BORE	SLEEVE WIDTH	SLEEVE O.D.	WEIGHT (lbs.)
9624597E	1	Standard duty, black oxide	7/8"	1-3/8"	7/8"	2-3/8"	0.9
9624598E	2	Extra heavy duty, black oxide	1-1/8"	1-3/4"	1-3/8"	3-1/8"	1.9
9624599E	3	Standard duty, black oxide	1-7/16"	1-3/4"	1-11/32"	3-1/2"	2.4
SPC223E	1	Standard duty, plated	7/8"	1-3/8"	7/8"	2-3/8"	0.9
SPC224E	2	Standard duty, plated	1-1/8"	1-5/16"	15/16"	2-3/8"	0.8
SPC233E	1 & 2	Extra heavy duty, black oxide	7/8" & 1-1/8"	1-3/4" both	1-3/8"	3-1/8"	1.7
SPC2216E	2	Extra heavy duty, plated	1-1/8"	1-3/4"	1-3/8"	3-1/8"	1.9

# FORGED WELD-ON BALL ENDS

High-quality, weld-on top link and lift arm ball sockets in Category 1, 2, and 3 sizes. Lift arm ends are available in straight and bent styles.

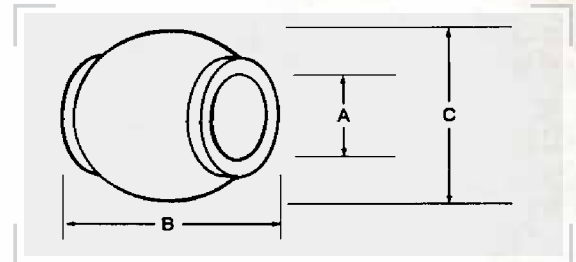


PART NUMBER	CAT.	DESCRIPTION	A	B	C	D	E	F	PACKAGE QTY.
87299198	1	Top link end	2"	3/4"	1-1/8"	2-1/4"	1/2"	1-3/4"	1
87299199	2	Top link end	2-3/8"	1"	1-1/8"	2-5/8"	1/2"	2"	1
87299200	1	Lift arm end-straight	2-3/4"	7/8"	2-3/8"	2-5/8"	5/8"	1-3/8"	1
87299201	2	Lift arm end-straight	3-1/8"	1-1/8"	2-3/4"	3-1/8"	3/4"	1-3/4"	1
87299204	1	Lift arm end-bent	4"	7/8"	1-7/8"	2-5/8"	5/8"	1-3/8"	1
87299205	2	Lift arm end-bent	4"	1-1/8"	1-7/8"	3-1/8"	5/8"	1-3/4"	1
87299206	3	Lift arm end-straight	3-3/8"	1-7/16"	3"	3-1/2"	3/4"	1-3/4"	1



# REPLACEMENT BALLS

Top link and lift arm balls for Ford, John Deere, Oliver and other tractors. Designed to replace original balls. Yellow zinc dichromate plating.



PART NUMBER	CAT.	DESCRIPTION	A	B	C	PACKAGE QTY.
			PIN HOLE SIZE	LENGTH THRU BORE	BALL DIAM.	
87299734	1	John Deere & Oliver top link ball; replaces Deere F2680, Oliver 105968A	3/4"	1-3/4"	2"	1
87299735	2	John Deere & Oliver top link ball; replaces Deere F2681, Oliver 104585A	1"	1-3/4"	2"	1
87299736	1	Ford lift arm ball; replaces Ford DDN995233; fits Ford 3000 and 4000	7/8"	1-3/8"	2-1/4"	1
87299737	2	Ford lift arm ball; replaces Ford C5NN557A; fits Ford 5000	1-1/8"	1-3/4"	2-1/4"	1
87299738	1	Oliver lift arm ball; replaces Oliver 105967A; fits models with claw-type lift arm	7/8"	1-3/8"	2"	1
87299739	2	Oliver lift arm ball; replaces Oliver 104591A; fits all models with claw-type lift arm	1-1/8"	1-3/4"	2"	1
87299740	2	Ford lift arm ball; narrow width; replaces C5NN557B	1-1/8"	1-3/8"	2-1/4"	1
81822686	2	Ford lift arm ball; heat treated, replaces C5NN557BDS	1-1/8"	1-3/8"	2-1/4"	1

## TOP LINK REDUCER BUSHINGS

Used in the pin hole of a top link to allow a smaller Category pin to fit.  
Yellow zinc dichromate plating.



PART NUMBER	CAT.	DESCRIPTION	OUTSIDE DIAM.	INSIDE DIAM.	LENGTH	PACKAGE QTY.
87299208	0-1	Fits all Category 0 top link pins	3/4"	5/8"	1-5/8"	5
87299209	1-2	Fits all Category 1 top link pins; replaces Ford C7NN6993A	1"	3/4"	1-15/16"	5
87299210	1-2	Fits all Category 1 top link pins; short	1"	3/4"	1-5/8"	5
87299211	2-3	Fits all Category 2 top link pins	1-1/4"	1"	1-15/16"	5

## LIFT ARM REDUCER BUSHINGS

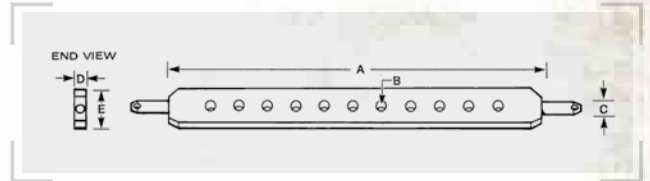
Used in the pin hole of a lift arm to allow a smaller Category pin to fit.  
Yellow zinc dichromate plating.



PART NUMBER	CAT.	DESCRIPTION	OUTSIDE DIAM.	INSIDE DIAM.	LENGTH	PACKAGE QTY.
87299214	0-1	Fits all Category 0 lift arm pins	7/8"	5/8"	1-3/8"	5
87299215	1-2	Fits all Category 1 lift arm pins; Ford C7NN6992A	1-1/8"	7/8"	1-3/4"	5
87299216	1-2	Fits all Category 1 lift arm pins; replaces John Deere F2684	1-1/8"	7/8"	1-3/8"	5
87299217	2-3	Fits all Category 2 lift arm pins	1-7/16"	1-1/8"	1-3/4"	5
87299218	2-3	Fits all Category 2 lift arm pins; extra long	1-7/16"	1-1/8"	3-1/4"	5
87299219	2-3	Fits all Category 2 lift arm pins; 15/32" lynch pin hole	1-7/16"	1-1/8"	2-1/2"	5
87299220	2-3	Fits all Category 2 lift arm pins	1-7/16"	1-1/8"	2-3/4"	5

# DRAWBARS

One-piece 3-point hitch cross drawbars to fit Category 0 through Category 3 tractors.



87299226



87299227

PART NUMBER	CAT.	NO. OF HOLES	Lift Arm Spacing A	Hole Diameter B	Pin Diameter C	Thickness D	Width E	COLOR	PKG. QTY.	WEIGHT (lbs.)
87299226	0/1	7	20"	3/4"	7/8"	1"	2-1/2"	Black	1	13.5
87299227	1	11	26"	3/4"	7/8"	1"	2-1/2"	Blue	1	16.4
87299228	1	11	26"	3/4"	7/8"	1"	2-1/2"	Black	1	16.4
251006F	1	11	26"	3/4"	7/8"	1-1/8"	2-1/2"	Black	1	18.25
87299232	2	11	26"	3/4"	1-1/8"	1-1/4"	3"	Blue	1	27
87299233	2	11	26"	3/4"	1-1/8"	1-1/4"	3"	Black	1	27
87299236	2	13	32"	3/4"	1-1/8"	1-1/4"	3"	Blue	1	33
87299237	2	13	32"	3/4"	1-1/8"	1-1/4"	3"	Black	1	33
87299239	3	5	38"	1-1/4"	1-7/16"	1-3/4"	3-1/2"	Black	1	65

# TRACTOR DRAWBAR ACCESSORIES



DO NOT EXCEED WORKING LOAD LIMIT. FARM HARDWARE IS NOT FOR LIFTING.

PART NUMBER	DESCRIPTION	WORKING LOAD LIMIT (lbs.)	PACKAGE QTY.
87299607	For all tractor drawbars up to 1-5/8" thick; for use with 5/16" to 1/2" chain	9,000	1
87299240	Drawbar lock		1



87299240



87299607

# STABILIZER ARMS & BRACKETS

Replacement stabilizer arms for stabilizer kits and a variety of tractors.  
 Stabilizer arms increase the stability of the tractor lift arms.  
 Stay straps for Category 1 tractors are used to maintain an implement at a set height.



PART NUMBER	DESCRIPTION	PACKAGE QTY.	WEIGHT (lbs.)
87299243	Upper stay strap for Category 1; fits all Ferguson models, Ford 2N, 8N, 9N, NAA, 600, 700, 800, 900, Oliver 550 and all Oliver 3-point conversions, Massey-Ferguson 35 and 50	1	2.8
87299244	Lower stay strap for Category 1; fits all Ferguson models, Ford 2N, 8N, 9N, NAA, 600, 700, 800, 900, Oliver 550 and all Oliver 3-point conversions, Massey-Ferguson 35 and 50	1	2.4
87299246	Right or left universal stabilizer arm; 7/8" pin holes on 31-9/16" centers	1	6
87299247	Right or left universal stabilizer arm; replaces Massey-Ferguson ST96362358; 7/8" pin holes on 33-1/8" centers	1	6.4
87299249	Heavy-duty adjustable forged stabilizer arm; fits all Ferguson models, Ford 2N, 8N, 9N, NAA, 600, Massey-Ferguson 35, 50, 175, 65, 135, 150, 165, 180; adjustable from 28-1/2" to 36" ; 7/8" pin holes; 7/8" NF threads	1	6
87299254	Universal stabilizer arm; 7/8" pin holes on 31-9/16" and 33-1/8" centers; 3 hole	1	6.1
87299750	Pair of universal stabilizer chains for most Category 1 applications; yellow zinc plated	1	14

# STABILIZER PINS

Stabilizer stub pins for Ford, Ferguson and other stabilizer kits.  
Yellow zinc dicromate plated.



PART NUMBER	DESCRIPTION	PIN DIAM.	USABLE LENGTH	OVERALL LENGTH	THREAD DIAM.	PACKAGE QTY.
87299259	Replaces Ford 230044, Massey-Ferguson 18177M1	7/8"	3/8"	2-5/8"	5/8" NF	5
87299261	Replaces Ford 141185, Massey-Ferguson MF668154M1	7/8"	1-1/4"	3-1/8"	5/8" NF	5
87299262	Stabilizer stub pin	7/8"	1/2"	2-5/8"	5/8" NF	5
87299263	Replaces MF186802M1	7/8"	11/16"	3-1/8"	3/4" NF	5

# CLEVIS-TYPE DRAW PINS

For use with implements with yoke type mountings.  
All pins are yellow zinc dichromate plated.



Head type



87299303 Categories 2 and 3



Roll pin type

PART NUMBER	CAT.	TYPE	PIN DIAM.	USABLE LENGTH	OVERALL LENGTH	PACKAGE QTY.
87299294	1	Roll Pin	7/8"	4-1/2"	6"	1
87299295	2	Roll Pin	1-1/8"	3-5/16"	4-3/4"	2
87299296	2	Roll Pin	1-1/8"	4-3/4"	6-1/2"	1
87299297	2	Roll Pin	1-1/8"	5-3/8"	7"	2
87299298	2	Roll Pin	1-1/8"	7-3/8"	9"	1
87299299	2	Roll Pin	1-1/8"	9"	10-3/4"	2
87299300	3	Head	1-7/16"	4-11/16"	6"	1
87299302	3	Roll Pin	1-7/16"	6-1/4"	8-1/2"	2
87299303	2 & 3	Head	1-1/8" & 1-7/16"	3-5/8" & 4-1/4"	9-1/4"	1

# DRAW PINS (LIFT ARM PINS)

Forged and adjustable Category 0 through 3 draw pins for a variety of applications. All pins are yellow zinc dichromate plated.



Category 1 & 2,  
Forged Implement Pin



Category 1



Category 2

PART NUMBER	CAT.	DESCRIPTION	PIN DIAM.	USABLE LENGTH	OVERALL LENGTH	THREAD DIAM.	PACKAGE QTY.
87299266	0	Adjustable	5/8"	Adjustable	3-7/8"	5/8" NF	1
87299270	1	Adjustable	7/8"	Adjustable	5"	7/8" NF	1
87299272	1	Forged	7/8"	1-3/4"	5-1/2"	7/8" NF	1
87299274	1	Adjustable; extra long	7/8"	Adjustable	6-1/4"	7/8" NF	1
87299275	1	Forged; extra long	7/8"	2-1/4"	6-1/2"	7/8" NF	1
87299278	1	Forged	7/8"	2"	5"	5/8" NF	1
87299279	1	Forged	7/8"	1-3/4"	4-1/2"	5/8" NF	1
87299280	1 to 2	Forged	1-1/8"	2-1/4"	6-5/16"	7/8" NF	1
87299281	1 to 2	Adjustable	1-1/8"	Adjustable	5-1/4"	7/8" NF	1
87299282	1 to 2	Forged	1-1/8"	1-13/16"	5-1/4"	7/8" NF	1
87299283	1 & 2	Forged	1-1/8" & 7/8"	2-1/16" both	8"	1" NF	1
87299284	2	Adjustable	1-1/8"	Adjustable	6-1/8"	1-1/8" NF	1
87299286	2	Forged	1-1/8"	1-3/4"	6-1/8"	1-1/8" NF	1
87299288	2 to 1	Forged	7/8"	1-3/4"	5-3/4"	1-1/8" NF	1
87299289	2 to 3	Adjustable	1-7/16"	Adjustable	6-1/2"	1-1/8" NF	3
87299290	2 to 3	Forged	1-7/16"	1-7/8"	5-3/4"	1-1/8" NF	1
87299291	3	Forged	1-7/16"	2"	5-7/8"	1-3/8" NF	1

# TOP LINK PINS

Sizes and styles for Category 0 through 3 tractors.  
Yellow zinc dichromate plated.



PART NUMBER	CAT.	DESCRIPTION	PIN DIAM.	OVERALL LENGTH	THREAD DIAM.	PACKAGE QTY.
87299306	0	Top link pin	5/8"	3"	4-7/16"	1
87299307	1	Replaces Ford 9N-560, Ferguson 195647M1	3/4"	2-3/4"	4-1/2"	1
87299309	1	Top link pin	3/4"	3"	5-1/4"	1
87299310	1	Long top link pin; replaces Ferguson 195589M1, AC339942	3/4"	3-7/8"	5-1/2"	1
87299313	1	Extra-long top link pin; replaces Ford E381T9	3/4"	4-3/4"	6-3/8"	1
87299314	2	Replaces Ford C5NN560A, MF185873M91, AC2090149/239888	1"	3-9/16"	5-1/4"	1
87299315	2	Replaces Ford E27N995272	1"	3"	4-3/4"	1
87299316	2	Replaces Ford C5NN486A	1"	4-3/8"	6"	1
87299318	2	Replaces Ford E2016F9, AC345552	1"	5-3/8"	7-1/16"	1
87299319	2	Top link pin	1"	4-1/4"	6-1/8"	1
87299320	3	Top link pin	1-1/4"	4-5/8"	6-1/2"	1

## HITCH PINS (CLEVIS PINS)

An economy hitch pin (clevis pin) for numerous applications.  
Yellow zinc dichromate plated.



87299725

PART NUMBER	PIN DIAM.	USABLE LENGTH	OVERALL LENGTH	PACKAGE QTY.
87299720	1/2"	5"	6-3/8"	1
87299721	5/8"	5"	6-3/8"	1
87299722	3/4"	5"	6-3/8"	1
87299723	7/8"	5"	6-3/8"	1
87299724	1"	5"	6-3/8"	1
87299725	1-1/8"	5"	6-3/8"	1

## FIXED-HANDLE HITCH PINS

Forged-head hitch pin with fixed handle and zinc plated "R" clip pin.  
More than 25% stronger than Grade 2.  
Yellow zinc dichromate plated.



87299762

PART NUMBER	PIN DIAM.	USABLE LENGTH	OVERALL LENGTH	PACKAGE QTY.
87299754	1/2"	4-1/4"	5-1/4"	1
87299755	5/8"	4-1/4"	5-1/4"	1
87299756	5/8"	6-1/4"	7-1/4"	1
87299757	3/4"	4-1/4"	5-1/2"	1
87299758	3/4"	6-1/4"	7-1/4"	1
87299759	7/8"	4-1/4"	5-1/4"	1
87299760	7/8"	6-1/4"	7-1/4"	1
87299762	1"	6-1/4"	7-1/4"	1
87299763	1-1/8"	6-1/4"	7-1/4"	1



# DROP-FORGED HITCH PINS

One-piece, drop-forged, Grade 5 performance hitch pins are made from high-strength steel and heat treated.

Zinc plated "R" clip pin included.

Yellow zinc dichromate plated.



87299805

PART NUMBER	PIN DIAM.	USABLE LENGTH	OVERALL LENGTH	HANDLE	PACKAGE QTY.
87299797	1/2"	3-1/2"	5-11/32"	Wire	1
87299799	5/8"	6"	9-3/16"	Solid	1
87299800	3/4"	4"	7-7/16"	Solid	1
87299801	3/4"	6-1/4"	9-7/16"	Solid	1
87299802	7/8"	4-1/4"	7-3/4"	Solid	1
87299803	7/8"	6-1/2"	10-11/16"	Solid	1
87299804	1"	4-3/4"	8-17/32"	Solid	1
87299805	1"	6-3/4"	10-17/32"	Solid	1
87299806	1-1/8"	7"	11"	Solid	1
87299807	1-1/4"	7"	11-1/8"	Solid	1
87299808	1-3/8"	7"	11-27/32"	Solid	1
87299809	1-1/2"	8"	12-23/32"	Solid	1

# SWIVEL-HANDLE FORGED HITCH PINS

Forged-head hitch pin with swivel handle and zinc plated "R" clip pin or chain and 1/4" lynch pin. More than 25% stronger than Grade 2. Yellow zinc dichromate plated.



Swivel-handle forged  
hitch pin with clip  
87299327



Swivel-handle forged  
hitch pin with chain  
87299341

W/ CLIP	PIN DIAM.	USABLE LENGTH	OVERALL LENGTH	PACKAGE QTY.
PART NUMBER				
87299323	3/8"	4-1/4"	4-3/4"	1
87299324	1/2"	4-1/4"	5-3/4"	1
87299325	1/2"	6-1/4"	7-3/4"	1
87299326	5/8"	4-1/4"	5-3/4"	1
87299327	5/8"	6-1/4"	7-3/4"	1
87299328	3/4"	4-1/4"	5-3/4"	1
87299329	3/4"	6-1/4"	7-3/4"	1
87299330	7/8"	4-1/4"	5-3/4"	1
87299331	7/8"	6-1/4"	7-3/4"	1
87299332	1"	4-1/4"	5-3/4"	1
87299333	1"	6-1/4"	7-3/4"	1
87299334	1-1/8"	6-1/4"	7-3/4"	1
87299335	1-1/4"	6-1/4"	7-3/4"	1

W/ CHAIN	PIN DIAM.	USABLE LENGTH	OVERALL LENGTH	PACKAGE QTY.
PART NUMBER				
87299338	1/2"	4-1/4"	5-3/4"	1
87299339	1/2"	6-1/4"	7-3/4"	1
87299340	5/8"	4-1/4"	5-3/4"	1
87299341	5/8"	6-1/4"	7-3/4"	1
87299342	3/4"	4-1/4"	5-3/4"	1
87299343	3/4"	6-1/4"	7-3/4"	1
87299344	7/8"	6-1/4"	7-3/4"	1
87299345	1"	6-1/4"	7-3/4"	1
87299346	1-1/8"	6-1/4"	7-3/4"	1
87299347	1-1/4"	6-1/4"	7-3/4"	1

## RED HANDLE HITCH PINS

Designed for today's demanding applications, these one-piece, Grade 5 performance, forged hitch pins are made from high-strength steel and heat treated. Pin has black powder coating with a red vinyl coated head and handle. Zinc plated "R" clip pin included.

PART NUMBER	PIN DIAM.	USABLE LENGTH	OVERALL LENGTH	PACKAGE QTY.
87299350	1/2"	3-5/8"	6-5/8"	1
87299351	5/8"	4"	7"	1
87299352	5/8"	5-3/4"	9"	1
87299354	3/4"	4"	7"	1
87299356	3/4"	6-1/2"	9-1/2"	1
87299358	7/8"	4-1/4"	7-1/4"	1
87299359	7/8"	6-1/2"	9-1/2"	1
87299361	1"	4-3/4"	7-3/4"	1
87299362	1"	7-1/2"	10"	1
87299364	1-1/8"	8-1/2"	11-1/2"	1
87299366	1-1/4"	8-1/2"	11-1/2"	1
87299367	1-1/2"	8-1/2"	11-1/2"	1
87299368	1-3/4"	8-1/2"	12"	1
87299369	2"	8-1/2"	12"	1
87299370	1"	12"	15"	1
87299371	1-1/4"	12"	15"	1
87299372	1-1/2"	13"	16"	1



87299351

## DOUBLE LOCK HITCH PINS

These Grade 5 performance hitch pins are designed with a quick-release handle to allow easy removal with double-lock mechanism ensuring the pin will remain in place. The pin and handle are powder coated with zinc-plated locks.

PART NUMBER	PIN DIAM.	USABLE LENGTH	PACKAGE QTY.
87298889	5/8"	4-1/2"	1
87298890	3/4"	4-1/2"	1
87298891	3/4"	6"	1
87298892	7/8"	4-1/2"	1
87298893	7/8"	6"	1
87298894	1"	6"	1
87298895	1-1/8"	7"	1
87298896	1-1/4"	7"	1
87298897	1-1/2"	8"	1



87298892

# BLUE/GRAY HANDLE HITCH PINS

Our premium, heat treated, grade 8 performance hitch pin made from alloy steel is designed for the toughest applications. Pin has black powder coating with a blue or gray vinyl coated head and handle. Zinc plated "R" clip pin included.



87299814

BLUE PART NUMBER	PIN DIAM.	USABLE LENGTH	OVERALL LENGTH	PACKAGE QTY.
87299812	1/2"	3-5/8"	6-5/8"	1
87299813	5/8"	4"	7"	1
87299814	5/8"	6"	9"	1
87299815	3/4"	4"	7"	1
87299816	3/4"	6-1/2"	9-1/2"	1
87299817	7/8"	4-1/4"	7-1/4"	1
87299818	7/8"	6-1/2"	9-1/2"	1
87299819	1"	4-3/4"	7-3/4"	1
87299820	1"	7"	10"	1
87299821	1-1/8"	7"	10"	1
87299822	1-1/4"	7"	10"	1
87299823	1-1/2"	8-1/2"	11-1/2"	1



87298039

GRAY PART NUMBER	PIN DIAM.	USABLE LENGTH	OVERALL LENGTH	PACKAGE QTY.
87298037	1/2"	3-5/8"	6-5/8"	1
87298038	5/8"	4"	7"	1
87298039	5/8"	6"	9"	1
87298040	3/4"	4"	7"	1
87298041	3/4"	6-1/2"	9-1/2"	1
87298042	7/8"	4-1/4"	7-1/4"	1
87298043	7/8"	6-1/2"	9-1/2"	1
87298044	1"	4-3/4"	7-3/4"	1
87298045	1"	7"	10"	1
87298046	1-1/8"	7"	10"	1
87298047	1-1/4"	7"	10"	1
87298048	1-1/2"	8-1/2"	11-1/2"	1

# SAFETY-LOCK HITCH PINS

Spring steel wire fits in the groove on the pin to secure it.  
Yellow zinc dichromate plated.

PART NUMBER	PIN DIAM.	USABLE LENGTH	OVERALL LENGTH	PACKAGE QTY.
87299826	1/2"	4"	5-1/2"	1
87299827	5/8"	4"	5-1/2"	1
87299829	3/4"	6"	7-1/2"	1
87299830	7/8"	6"	7-1/2"	1
87299831	1"	6"	7-1/2"	1



87299827

# BENT HITCH PINS

These pins have numerous farm, lawn and garden, and industrial applications.  
Complete with zinc-plated "R" Clip pin.  
Yellow zinc dichromate plated.

PART NUMBER	PIN DIAM.	USABLE LENGTH	PKG. QTY.
87299376	5/16"	3"	1
87299378	3/8"	3"	1
87299379	1/2"	2-1/2"	1
87299380	1/2"	3"	1
87299381	1/2"	4"	1
87299382	1/2"	5"	1
87299383	5/8"	3"	1
87299384	5/8"	4"	1
87299385	5/8"	5"	1
87299387	3/4"	4-1/2"	1



87299384

# “R” CLIP PINS

Available in the most popular sizes for farm and other applications.  
Yellow zinc dichromate plated spring wire.



BULK PART NUMBER	WIRE DIAM.	OVERALL LENGTH	FITS PIN DIAM.	RETAIL BAG PART NO.	BULK PACKAGE QTY.	RETAIL BAG PACKAGE QTY.
87299391	1/16"	1-9/16"	3/8" to 1/2"	-	100	1
87299392	3/32"	1-5/8"	1/4" to 1/2"	87299400 (12)	100	1
87299393	1/8"	1-15/16"	1/2" to 3/4"	87299401 (8)	100	1
87299394	5/32"	2-15/16"	5/8" to 1"	87299402 (7)	100	1
87299395	3/16"	3-3/4"	7/8" to 1-1/4"	87299403 (3)	25	1
87299396	1/4"	4"	3/4" to 1"	87299404 (2)	25	1
87299397	5/16"	5-15/16"	1" to 1-7/16"	-	5	1
87299398	5/16"	4-1/8"	1" to 1-7/16"	87299405 (2)	5	1
87299399	5/16"	3-1/2"	1" to 1-7/16"	-	5	1
87299834	1/8"	2-1/2"	1/2" to 3/4"	-	25	1
87299836	3/16"	4-3/32"	7/8" to 1-1/4"	-	5	1
PART NUMBER	DESCRIPTION					WEIGHT (lbs.)
87299654	"R" clip pin assortment in 5" x 7" poly bag; contains 3-87299392, 4-87299393, 4-87299394, 3-87299395					0.4

NOTE: Number in parenthesis in retail bag part number column indicates bag quantities.

# COTTER PIN KIT



PART NUMBER	PACKAGE QTY.
B504949	100

# LYNCH PINS

Fasteners for numerous farm and other applications. Yellow zinc dichromate plated except for the 87299416 and 87299418, which have a black powder coated finish.



87299410



87299416



87299412

BULK PART NUMBER	DESCRIPTION	PIN DIAM.	USABLE LENGTH	RETAIL BAG PART NO.	BULK PKG. QTY.	RETAIL BAG PKG. QTY.
87299408	Standard	3/16"	1"	87299423 (2)	100	1
87299409	87299408 (SPC7919DS, B500168) with chain and cotter pin	3/16"	1"	-	25	-
87299410	Standard	7/16"	1-1/4"	87299411 (2)	100	1
87299412	87299410 (2N609DS, B500170) with chain and cotter pin	7/16"	1-1/4"	-	25	-
87299413	Standard	1/4"	1-1/4"	87299424 (2)	100	1
87299415	Short shank	7/16"	1-1/4"	-	100	-
87299416	Heavy duty; fits Category 1, 2 and 3 pins; black powder coat	7/16"	1-1/2"	87299414 (2)	100	1
87299418	87299416 (251387DS, B500171) with chain and cotter pin; black powder coat	7/16"	1-1/2"	-	25	-
87299419	Standard	5/16"	1-1/4"	87299417 (2)	100	1
87299420	Standard	3/8"	1-1/4"	-	100	-
87299421	Long; fits Category 1, 2 and 3 pins	7/16"	1-3/4"	-	100	-
87299422	Long shank	7/16"	1-1/4"	-	100	-

NOTE: Number in parenthesis in retail bag part number column indicates bag quantities.

## LOCKING PINS

Numerous farm, lawn and garden, and industrial applications.  
Round- and square-loop styles.  
Yellow zinc dichromate plated.



87299540



87299539

PART NUMBER	DIAM.	USABLE LENGTH	WIRE LOOP	PACKAGE QTY.
87299536	1/4"	1-3/8"	Round	10
87299537	1/4"	1-3/4"	Round	10
87299538	1/4"	2-1/4"	Square	10
87299539	1/4"	2-1/2"	Square	10
87299540	1/4"	2-1/2"	Round	10
87299543	5/16"	1-3/8"	Round	10
87299545	5/16"	1-3/4"	Round	10
87299546	5/16"	2-1/4"	Square	10
87299547	5/16"	2-1/4"	Round	10
87299549	5/16"	2-1/2"	Round	10
87299550	5/16"	2-1/2"	Square	10
87299551	5/16"	3-1/2"	Square	10
87299552	5/16"	3-15/16"	Square	10
87299553	3/8"	1-1/2"	Round	10
87299555	3/8"	2-1/4"	Round	10
87299556	3/8"	2-1/4"	Square	10
87299557	3/8"	2-1/2"	Round	10
87299558	3/8"	2-1/2"	Square	10
87299559	3/8"	3"	Square	10
87299560	3/8"	3-7/16"	Square	10

## DETENT PINS

Ball detent allows for fast and easy insertion and removal of pin.  
Replaces pins that require a cotter pin.  
Available in most popular sizes.  
Zinc plated carbon steel.

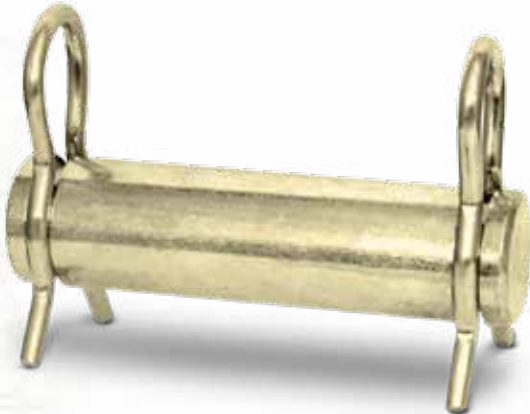


PART NUMBER	PIN DIAM.	USABLE LENGTH	OVERALL LENGTH	PACKAGE QTY.
SPC71202E	<b>3/16"</b>	<b>1"</b>	<b>1-3/8"</b>	<b>5</b>
SPC71220E	<b>1/4"</b>	<b>3"</b>	<b>3-7/16"</b>	<b>5</b>
SPC71257E	<b>4"</b>	<b>3-1/2"</b>	<b>4-5/8"</b>	<b>5</b>
SPC71283E	<b>1/2"</b>	<b>2-1/2"</b>	<b>3-9/32"</b>	<b>5</b>



# HYDRAULIC CYLINDER PINS

Pins for hydraulic cylinders and jacks in popular sizes.  
 Standard cylinder clips included.  
 Will accommodate "R" clip pin.  
 Yellow zinc dichromate plated.



PART NUMBER	DIAM.	USABLE LENGTH	OVERALL LENGTH	PACKAGE QTY.
87299427	1"	2"	2-3/4"	1
87299430	1"	2-3/4"	3-9/16"	1
87299431	1"	2-7/8"	3-11/16"	5
87299432	1"	3"	3-13/16"	1
87299434	1"	3-1/4"	4-1/16"	1
87299436	1-1/4"	3-1/4"	4-1/16"	5

# RATCHET JACKS

Implement jacks have multiple uses including the adjustment of implements and equipment. Replace hydraulic cylinders or old screw jacks in those applications where infrequent adjustment is needed.



PART NUMBER	DESCRIPTION	PACKAGE QTY.	WEIGHT (lbs.)
87299439	Heavy-duty ratchet jack with 1-1/4" ACME threads and grease zerks; adjustable from 20" closed to 28" open; 1" clevis pins, clip pins and handle included; black powder-coat finish	1	15
87299441	Heavy-duty ratchet jack with 1-1/4" ACME threads and grease zerks; adjustable from 20" closed to 28" open; 1" clevis pins, clip pins and handle included; primered finish	1	15

NOTE: See Hydraulic Cylinder Pins section above for clevis/cylinder pins.

# HITCH BALLS

Class I, II, III and IV chrome hitch balls.

PART NUMBER	DESCRIPTION	PACKAGE QTY.
87299456	1-7/8" chrome hitch ball with 3/4" stud; 1-3/4" stud length; VESC Class I	1
87299458	2" chrome hitch ball with 3/4" stud; 1-3/4" stud length; VESC Class II	1
87299459	2" chrome hitch ball with 1" stud; 2-1/8" stud length; VESC Class III	1
87299460	2-5/16" chrome hitch ball with 1-1/4" stud; 2-1/8" stud length; VESC Class IV	1



# CYLINDER STROKE CONTROL SEGMENTS

Designed to control the stroke on air or hydraulic cylinders. Unique "Finger Tab" design on aluminum and steel models for easier installation and removal. Clamshell package.

87299450  
87299451



87299447  
87299448



PART NUMBER	DESCRIPTION	SEGMENTS	PACKAGE QTY.
87299447	Fits 1-3/8" & 1-1/2" diameter shafts; aluminum; no finger tabs	3/4", 1", 1-1/4", 1-1/2"	1
87299448	Fits 1-1/8" & 1-1/4" diameter shafts; aluminum; no finger tabs	3/4", 1", 1-1/4", 1-1/2"	1
87299450	Fits 1-1/8", 1-1/4", 1-3/8" & 1-1/2" diameter shafts; aluminum; finger tabs	3/4", 1", 1-1/4", 1-1/2"	1
87299451	Fits 1-3/4", 1-7/8" & 2" diameter shafts; aluminum; finger tabs	1", 1-1/2", 2", 4"	1

# HARROW TEETH

Replacement harrow teeth for a variety of implement manufacturers.  
Heat-treated point.



Square,  
no head

Square  
with head

Full diamond  
with head

Full diamond  
with thread

PART NUMBER	DESCRIPTION	WIDTH	LENGTH	PACKAGE QTY.	WEIGHT (lbs.)
SPC560216E	Full diamond, 7/16" thread	5/8" x 7/8"	8"	1	0.6
SPC560217E	Full diamond, 1/2" thread	5/8" x 7/8"	8"	1	0.6
SPC560218E	Full diamond, 7/16" thread	5/8" x 7/8"	8-1/2"	1	0.6
SPC560219E	Full diamond, 1/2" thread	5/8" x 7/8"	8-1/2"	1	0.6
SPC560220E	Full diamond with head	5/8" x 7/8"	8"	1	0.62
SPC560231E	Square, no head	5/8"	8"	1	0.85
SPC560232E	Square with head	5/8"	10"	1	1.05
SPC560240E	Square, no head	3/4"	8"	1	1.13
SPC560245E	Square with head	3/4"	10"	1	1.45
SPC560247E	Square with head	3/4"	11"	1	1.52
SPC560249E	Square with head	3/4"	12"	1	1.8
SPC560251E	Square with head	3/4"	14"	1	2.1

# WELD COLLAR JACKS

Complete with weld collar and securing pin



NH2000-10TW



NH5000-10TW



NH2000-15TW



NH2000-10SW



NH5000-10SW



NH5000-15SW

PART NUMBER	DESCRIPTION	PACKAGE QTY.
NH2000-10TW	JACK, 2000LB 10" LIFT TOP WIND	1
NH5000-10TW	JACK, 5000LB 10" LIFT TOP WIND	1
NH2000-15TW	JACK, 2000LB 15" LIFT TOP WIND	1
NH2000-10SW	JACK, 2000LB 10" LIFT SIDE WIND	1
NH5000-10SW	JACK, 5000LB 10" LIFT SIDE WIND	1
NH5000-15SW	JACK, 5000LB 15" LIFT SIDE WIND	1

# FLANGE JACKS

Complete with 4 position mounting flange and spring loaded pull pin



NH2000-10TWF



NH2000-15TWF



NH2000-15SWF



NH2000-13TWA



NH5000-13TWA



NH2000-13SWA

PART NUMBER	DESCRIPTION	PACKAGE QTY.
NH2000-10TWF	JACK, 2000LB 10" LIFT TOP WIND - FLANGE	1
NH2000-15TWF	JACK, 2000LB 15" LIFT TOP WIND - FLANGE	1
NH2000-15SWF	JACK, 2000LB 15" LIFT SIDE WIND - FLANGE	1
NH2000-13TWA	JACK, 2000LB 13.5" LIFT TOP WIND A-FRAME	1
NH5000-13TWA	JACK, 5000LB 13.5" LIFT TOP WIND A-FRAME	1
NH2000-13SWA	JACK, 2000LB 13.5" LIFT SIDE WIND A-FRAME	1

# WELD COLLAR JACKS

Complete with weld collar and securing pin, zinc plated



NH2000-10TWZ



NH2000-15TWZ



NH5000-15TWZ



NH7000-10SWZ



NH7000-15SWZ

PART NUMBER	DESCRIPTION	PACKAGE QTY.
NH2000-10TWZ	JACK, 2000LB 10" TOPWIND - ZINC PLATED	1
NH2000-15TWZ	JACK, 2000LB 15" TOPWIND - ZINC PLATED	1
NH5000-15TWZ	JACK, 5000LB 15" TOPWIND - ZINC PLATED	1
NH7000-10SWZ	JACK, 7000LB 10" SIDEWIND - ZINC PLATED	1
NH7000-15SWZ	JACK, 7000LB 15" SIDEWIND - ZINC PLATED	1

# MARINE AND RECREATIONAL JACKS

Zinc plated



PART NUMBER	DESCRIPTION	PACKAGE QTY.
NH1000-10SWM	JACK, 1000LB 10" TR.SW.SWIV - MARINE ZP	1
NH1000-15SWM	JACK, 1000LB 15" TR.SW.SWIV - MARINE ZP	1
NH1500-10SWM2	JACK, 1500LB DUAL WHEEL ZINC - MARINE ZP	1
NH1500-10SWM	JACK, 1500LB ZINC 8" WHEEL - MARINE ZP	1

# HEAVY DUTY SQUARE JACKS

Heavy duty square jacks



NH7000-15TWDL



NH7000-15SWDL



NH10000-12SWDL



NH20000-14SWDL

PART NUMBER	DESCRIPTION	PACKAGE QTY.
NH7000-15TWDL	JACK, 7000LB 15" LIFT W/D LEG SQ TOP WIND	1
NH7000-15SWDL	JACK, 7000LB 15" LIFT W/D LEG SQ SIDE WIND	1
NH10000-12SWDL	JACK, 12,000 LB W/D LEG & HANDLE SIDE WIND	1
NH20000-14SWDL	JACK, 25,000LB W/D LEG & 2SPD RED SIDE WIND	1



# JACKS ACCESSORIES



TJ-06-02



TJ-06-05



TJ-07-02



TJ-06-08



TJ-06-04

BE-025-CA-1



PART NUMBER	DESCRIPTION	PACKAGE QTY.
TJ-06-02	WHEEL ASSY, JACK 6"	1
TJ-06-05	WHEEL ASSY STEEL 6" DIAMETER	1
TJ-07-02	WHEEL ASSY, JACK 6"	1
TJ-06-08	WHEEL, 8" DIAMETER POLY	1
TJ-06-04	WHEEL 6" DIAMETER	1
87299493	PIN, JACK COLLAR 5/8" x 3.0" USE	1
BE-025-CA-1	PIN & CHAIN, 9/16" x 3.5" USAB	1
64.002.000	COLLAR, JACK INNER SIZE	1
64.001.000	COLLAR, JACK MID SIZE	1
64.003.000	COLLAR, JACK LARGE OUTER	1
64.003.058	COLLAR, JACK L ARGE OUT 5/8"	1



64.001.000  
64.002.000  
64.003.000



64.003.058

# JACKS ACCESSORIES



87299482



87299478



87299483



CIH10000-12SWDL



87299481



87299491



87299489



BE-705

PART NUMBER	DESCRIPTION	PACKAGE QTY.
87299482	GRIP ASSY, SW 2000-7000 LBS	1
87299478	HANDLE ASSY, SW 2000-7000 LBS	1
87299481	KNOB, TOP WIND HANDLE	1
87299480	HANDLE ASSY, TW 2000-5000 LBS	1
BE-1201	HANDLE ASSY, 12,000 & 25,000 SW JACKS	1
87299489	PLATE, MOUNTING FJ JACKS	1
87299483	BASE, JACK FOR NH2000-13TWA, NH5000-13TWA, NH2000-13SWA	1
87299491	MOUNT, JACK 7000 LBS W/PIN	1
BE-705	DROP LEG, SQ SW/TW 7000 LBS	1
87299496	GEARSET, 2000 LBS W/PIN	1
87299497	GEARSET, 5000 LBS W/PIN	1

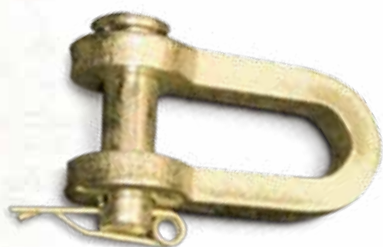
# MISCELLANEOUS FARM ACCESSORIES



87299504



87299500



87299501



87299502



87299839

87299840



SPC161101E

PART NUMBER	DESCRIPTION	PACKAGE QTY.	WEIGHT (lbs.)
87299500	Check-chain clevis eye bolt; used to fasten check-chain to lift arms; replaces Ford NCB660A; fits Ferguson 20 & 30; assembled with 9/16" NF hex nut	1	0.4
87299501	Check-chain clevis; used to fasten check-chain to tractor; replaces Ford 9N582; fits MF 20, 30, 35, 40 and 50	1	0.1
87299502	Muffler clamp assembly; replaces Ford 9N5251; fits Ford 2N, 8N, 9N, MF 20, 30, 40 and 50	1	0.6
87299504	Drill drag chain; 3-1/2" ring diameter; 1/2" ring thickness; fits most standard seed drills	1	2.1
87299839	Hay hook; 11" overall length; painted red	1	1.1
87299840	Hay hook; 17" overall length; painted red	1	1.5
SPC161101E	Wire gripper	1	1.1
SPC161101E	Heavy duty post pounder; 23-1/4" long	1	17
SPC161160E	T-Post puller; for removal of studded "T" posts; easy one man operation pulls the post straight out of the ground without bending or twisting so it can be reused	1	17

# 5-GALLON DRUM PUMP

## Specifications

- For use with oils up to SAE 140 gear oils, heavy lube oils, lubrication oils, synthetic oils
- 14 downstrokes displaces 1 quart
- Standard closure – 2-1/2" 8 TPI bottle thread
- Made from nylon, aluminum and mild steel, with nitrile rubber seals



Bucket not included

PART NUMBER	DESCRIPTION	PACKAGE QTY.	WEIGHT (lbs.)
87298132	Use with 5-gallon (20 L) buckets; pumps heavy gear oils; extra-long 58" outlet hose. Anti-drip nozzle – drain back nozzle holder; stainless mesh filter	1	2.5

# RAINCAPS

Fits most tractors, equipment and engines.  
 Opens with the slightest pressure and closes the instant exhaust stops.  
 Easy one-bolt installation.  
 Gray powder coat finish.



PART NUMBER	MINIMUM EXHAUST O.D.	PACKAGE QTY.	WEIGHT (lbs.)
87299845	1-1/2"	1	0.56
87299846	1-3/4"	1	0.58
87299847	2"	1	0.90
87299848	2-1/4"	1	0.92
87299849	2-1/2"	1	1.01
87299850	2-3/4"	1	1.04
87299851	3"	1	1.08
87299852	3-1/2"	1	1.30
87299853	4"	1	1.60
87299854	4-1/4"	1	1.62
87299855	4-1/2"	1	1.68
87299856	5"	1	1.82

# TOOL BOXES

Easily mounts to tractors or other equipment.  
 Hardware and brackets for universal mounting included.  
 Packaged in an attractive four-color display box.



PART NUMBER	DESCRIPTION	PACKAGE QTY.	WEIGHT (lbs.)
87298903	16" portable / mountable toolbox; red	1	8.0
87298904	20" portable / mountable toolbox; red	1	10.0

# WHEEL SPINNERS

Wheel spinners to fit most tractors and trucks.  
Includes shallow and deep mount spoke adapters.  
Black Bakelite, polished aluminum and vinyl colors available.



73340103



73340108



73340101

PART NUMBER	DESCRIPTION	PACKAGE QTY. PER PACK
73340101	Deluxe spinner – NH logo	1
73340103	Standard spinner – black	1
73340108	Aluminium spinner	1



# STRAIGHT CLEVISES

Designed and engineered (totally forged) straight, twisted, utility and farm clevises with heat-treated pins. Total forging provides better grain structure alignment without built-in stress and more consistency in strength, quality and conformity. Clevises, mid-links and drawbar hook have black powder coated finish. Clevis pins are yellow zinc dichromate plated.



DO NOT EXCEED WORKING LOAD LIMIT. FARM HARDWARE IS NOT FOR LIFTING.

PART NUMBER	BODY DIAM.	CLEVIS OPENING	USABLE LENGTH	PIN DIAM.	WORKING LOAD LIMIT (lbs.)	PACKAGE QTY.
87299563	5/8"	7/8"	3-1/4"	1/2"	6,000	1
87299564	3/4"	1-5/16"	3-3/4"	5/8"	12,000	1
87299565	7/8"	1-5/16"	3-1/4"	3/4"	16,000	1
87299566	7/8"	1-5/16"	4-1/4"	3/4"	16,000	1
87299567	15/16"	1-7/16"	4-5/8"	7/8"	20,000	1
87299568	1"	2-1/8"	5-5/16"	1"	25,000	1

# TWISTED CLEVISES



DO NOT EXCEED WORKING LOAD LIMIT. FARM HARDWARE IS NOT FOR LIFTING.

PART NUMBER	BODY DIAM.	CLEVIS OPENING	USABLE LENGTH	PIN DIAM.	WORKING LOAD LIMIT (lbs.)	PACKAGE QTY.
87299571	5/8"	7/8"	3"	1/2"	6,000	1
87299572	3/4"	1-5/16"	3-1/2"	5/8"	12,000	1
87299573	7/8"	1-5/16"	3"	3/4"	16,000	1
87299574	7/8"	1-5/16"	3-7/8"	3/4"	16,000	1
87299575	15/16"	1-7/16"	4-1/4"	7/8"	20,000	1
87299576	1"	2-1/8"	5"	1"	25,000	1

## T-HANDLE CLEVIS PINS

Heat-treated replacement pins for all CNH straight and twisted clevises.  
Yellow zinc dichromate plated.

PART NUMBER	DIAM.	USABLE LENGTH	PACKAGE QTY.
87299859	1/2"	2-1/4"	1
87299860	5/8"	3-1/8"	1
87299861	3/4"	3-1/4"	1



## UTILITY CLEVISES



DO NOT EXCEED WORKING LOAD LIMIT. FARM HARDWARE IS NOT FOR LIFTING.

PART NUMBER	BODY DIAM.	CLEVIS OPENING	USABLE LENGTH	PIN DIAM.	WORKING LOAD LIMIT (lbs.)	PACK QTY.
87299593	1/4"	15/32"	7/8"	5/16"	1,000	1
87299594	5/16"	17/32"	1"	3/8"	1,500	1
87299595	3/8"	21/32"	1-1/4"	7/16"	2,000	1
87299596	7/16"	23/32"	1-1/2"	1/2"	3,000	1
87299597	1/2"	13/16"	1-11/16"	5/8"	6,000	1
87299598	5/8"	1-1/16"	2"	3/4"	9,000	1



## GENERAL PURPOSE CLEVIS



DO NOT EXCEED WORKING LOAD LIMIT. FARM HARDWARE IS NOT FOR LIFTING.

PART NUMBER	BODY DIAM.	CLEVIS OPENING	USABLE LENGTH	PIN DIAM.	WORKING LOAD LIMIT (lbs.)	PACKAGE QTY
87299579	3/4"	2-1/2"	6-3/16"	3/4"	10,000	1





# FARM CLEVISES

Screw pin shackle type used for multiple hitches and crawler tractors.



 DO NOT EXCEED WORKING LOAD LIMIT. FARM HARDWARE IS NOT FOR LIFTING.

PART NUMBER	BODY DIAM.	CLEVIS OPENING	USABLE LENGTH	PIN DIAM.	WORKING LOAD LIMIT (lbs.)	PACKAGE QTY.
87299580	1/4"	15/32"	1-1/8"	5/16"	1,000	1
87299581	5/16"	17/32"	1-1/4"	3/8"	2,000	1
87299582	3/8"	23/32"	1-7/16"	7/16"	3,000	1
87299583	7/16"	3/4"	1-11/16"	1/2"	4,000	1
87299584	1/2"	13/16"	1-15/16"	5/8"	6,500	1
87299585	5/8"	1-1/16"	2-1/2"	3/4"	9,000	1
87299586	3/4"	1-1/4"	3"	7/8"	13,000	1
87299587	7/8"	1-7/16"	3-1/4"	1"	15,000	1
87299588	1"	1-11/16"	3-3/4"	1-1/8"	17,000	1
87299589	1-1/8"	1-13/16"	4-1/4"	1-1/4"	24,000	1
87299590	1-1/4"	2"	4-1/2"	1-3/8"	28,000	1

# MID-LINKS

 DO NOT EXCEED WORKING LOAD LIMIT. FARM HARDWARE IS NOT FOR LIFTING.

PART NUMBER	CHAIN SIZE	WORKING LOAD LIMIT (lbs.)	PACKAGE QTY.
87299601	1/4" or 5/16"	4,700	1
87299602	3/8"	6,600	1
87299603	7/16" or 1/2"	11,300	1

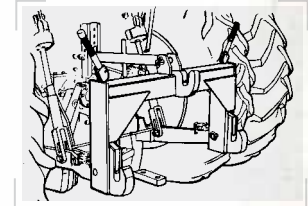


# QUICK HITCHES

For fast, easy and safe attachment of 3-point implements. Operator can engage and secure implements from the tractor seat. Models to fit Category 1, 2 and 3 tractors. Heavy-duty steel construction.



87298908  
Category 2/3 Quick Hitch



PART NUMBER	DESCRIPTION	MAXIMUM RECOMMENDED HORSEPOWER	WEIGHT (lbs.)
87298898	Fits most Category 1 tractors. For use with Category 1 equipment. Includes 7/8" mounting pins and adaptor bushings	50	76
87298899	Category 2 standard Quick Hitch. Complete with 1-1/8" mounting pins and adaptor bushings.	100	134
87298900	Category 2 heavy duty Quick Hitch. Complete with 1-1/8" mounting pins and adaptor bushings.	150	160
87298901	Category 3 Quick Hitch. Designed to fit most Category 3 tractors pulling Category 3 equipment. Complete with 1-7/16" mounting pins	225	182
87298902	Category 3 narrow Quick Hitch. Designed to fit tractors with Category 3 narrow equipment. Includes 1-7/16" mounting pins	225	176
87298908	Category 2/3 Quick Hitch. Designed to fit Category 2 and 3 tractors with Category 3 equipment. Includes 1-7/16" mounting pins	225	233

## REPLACEMENT HARDWARE

PART NUMBER	DESCRIPTION	PACKAGE QTY.
87298928	Mounting pin for Category 2 Quick Hitch	1
87298929	Complete adaptor kit with roll pins and bushings for Category 2 Quick Hitch and Category 2 heavy-duty Quick Hitch	1
87298930	7/8" Mounting pin for Category 1 Quick Hitch	1
87298931	Complete adaptor kit with roll pins and bushings for Category 1 Quick Hitch	1
87298932	Adaptor for Category 1 Quick Hitch. Allow this Quick Hitch to be used with implements not made to ASAE Quick Hitch standards. Comes standard with 87298898	1
87298933	7/16" x 1-3/8" steel roll pin. Locks adapter to implement	1
87299768	Mounting pin for Category 2-3 Quick Hitch	1
87299770	Mounting pin for Category 2 Heavy Duty Quick Hitch	1
87299771	Mounting pin for Category 3 and Category 3 Narrow Quick Hitches	1



# PART NUMBER INDEX

PART NUMBER	PAGE	PART NUMBER	PAGE	PART NUMBER	PAGE	PART NUMBER	PAGE
251006F	11	87299176	5	87299236	11	87299300	13
73340100	39	87299178	5	87299237	11	87299302	13
73340103	39	87299179	5	87299239	11	87299303	13
73340108	39	87299180	5	87299240	11	87299306	15
81822686	9	87299181	5	87299243	12	87299307	15
87298037	20	87299183	5	87299244	12	87299309	15
87298038	20	87299188	6	87299246	12	87299310	15
87298039	20	87299189	6	87299247	12	87299313	15
87298040	20	87299190	6	87299249	12	87299314	15
87298041	20	87299191	6	87299254	12	87299315	15
87298042	20	87299192	6	87299259	13	87299316	15
87298043	20	87299193	6	87299261	13	87299318	15
87298044	20	87299194	6	87299262	13	87299319	15
87298045	20	87299195	6	87299263	13	87299320	15
87298046	20	87299198	8	87299266	14	87299323	18
87298047	20	87299199	8	87299270	14	87299324	18
87298048	20	87299200	8	87299272	14	87299325	18
87298132	37	87299201	8	87299274	14	87299326	18
87298889	19	87299204	8	87299275	14	87299327	18
87298890	19	87299205	8	87299278	14	87299328	18
87298891	19	87299206	8	87299279	14	87299329	18
87298892	19	87299208	10	87299280	14	87299330	18
87298893	19	87299209	10	87299281	14	87299331	18
87298894	19	87299210	10	87299282	14	87299332	18
87298895	19	87299211	10	87299283	14	87299333	18
87298896	19	87299214	10	87299284	14	87299334	18
87298897	19	87299215	10	87299286	14	87299335	18
87299165	5	87299216	10	87299288	14	87299338	18
87299166	5	87299217	10	87299289	14	87299339	18
87299167	5	87299218	10	87299290	14	87299340	18
87299168	5	87299219	10	87299291	14	87299341	18
87299170	5	87299220	10	87299294	13	87299342	18
87299171	5	87299226	11	87299295	13	87299343	18
87299172	5	87299227	11	87299296	13	87299344	18
87299173	5	87299228	11	87299297	13	87299345	18
87299174	5	87299232	11	87299298	13	87299346	18
87299175	5	87299233	11	87299299	13	87299347	18

## PART NUMBER INDEX

PART NUMBER	PAGE	PART NUMBER	PAGE	PART NUMBER	PAGE	PART NUMBER	PAGE
87299350	19	87299401	22	87299460	26	87299564	40
87299351	19	87299402	22	87299478	34	87299565	40
87299352	19	87299403	22	87299479	34	87299566	40
87299354	19	87299404	22	87299480	34	87299567	40
87299356	19	87299405	22	87299481	34	87299568	40
87299358	19	87299408	23	87299482	34	87299571	40
87299359	19	87299409	23	87299483	35	87299572	40
87299361	19	87299410	23	87299489	35	87299573	40
87299362	19	87299411	23	87299491	35	87299574	40
87299364	19	87299412	23	87299493	35	87299575	40
87299366	19	87299413	23	87299496	35	87299576	40
87299367	19	87299414	23	87299497	35	87299579	41
87299368	19	87299415	23	87299500	36	87299580	42
87299369	19	87299416	23	87299501	36	87299581	42
87299370	19	87299417	23	87299502	36	87299582	42
87299371	19	87299418	23	87299504	36	87299583	42
87299372	19	87299419	23	87299536	24	87299584	42
87299376	19	87299420	23	87299537	24	87299585	42
87299378	19	87299421	23	87299538	24	87299586	42
87299379	19	87299422	23	87299539	24	87299587	42
87299380	19	87299423	23	87299540	24	87299588	42
87299381	19	87299424	23	87299543	24	87299589	42
87299382	19	87299427	25	87299545	24	87299590	42
87299383	19	87299430	25	87299546	24	87299593	42
87299384	19	87299431	25	87299547	24	87299594	42
87299385	19	87299432	25	87299549	24	87299595	42
87299387	19	87299434	25	87299550	24	87299596	42
87299391	22	87299436	25	87299551	24	87299597	42
87299392	22	87299439	25	87299552	24	87299598	42
87299393	22	87299441	25	87299553	24	87299601	42
87299394	22	87299447	26	87299555	24	87299602	42
87299395	22	87299448	26	87299556	24	87299603	42
87299396	22	87299450	26	87299557	24	87299607	42
87299397	22	87299451	26	87299558	24	87299654	22
87299398	22	87299456	26	87299559	24	87299720	16
87299399	22	87299458	26	87299560	24	87299721	16
87299400	22	87299459	26	87299563	40	87299722	16

# PART NUMBER INDEX

PART NUMBER	PAGE	PART NUMBER	PAGE	PART NUMBER	PAGE
87299723	16	87299815	20	9624601E	7
87299724	16	87299816	20	9624602E	7
87299725	16	87299817	20	9624603E	7
87299729	6	87299818	20	SPC161110E	36
87299731	6	87299819	20	SPC161160E	36
87299734	9	87299820	20	SPC214E	7
87299735	9	87299821	20	SPC215E	7
87299736	9	87299822	20	SPC216E	7
87299737	9	87299823	20	SPC2216E	7
87299738	9	87299826	21	SPC223E	7
87299739	9	87299827	21	SPC224E	7
87299740	9	87299829	21	SPC228E	7
87299750	12	87299830	21	SPC233E	7
87299754	16	87299831	21	SPC235E	7
87299755	16	87299834	22	SPC560216E	27
87299756	16	87299836	22	SPC560217E	27
87299757	16	87299839	36	SPC560218E	27
87299758	16	87299840	36	SPC560219E	27
87299759	16	87299845	38	SPC560220E	27
87299760	16	87299846	38	SPC560231E	27
87299762	16	87299847	38	SPC560232E	27
87299763	16	87299848	38	SPC560240E	27
87299797	17	87299849	38	SPC560245E	27
87299799	17	87299850	38	SPC560247E	27
87299800	17	87299851	38	SPC560249E	27
87299801	17	87299852	38	SPC560251E	27
87299802	17	87299853	38	SPC71202E	24
87299803	17	87299854	38	SPC71220E	24
87299804	17	87299855	38	SPC71257E	24
87299805	17	87299856	38	SPC71283E	24
87299806	17	87299859	41	73340101	39
87299807	17	87299860	41	73340103	39
87299808	17	87299861	41	73340108	39
87299809	17	9624597E	7		
87299812	20	9624598E	7		
87299813	20	9624599E	7		
87299814	20	9624600E	7		



©2014 CNH Industrial America LLC. All rights reserved. New Holland is a trademark registered in the United States and many other countries, owned by or licensed to CNH Industrial N.V., its subsidiaries or affiliates. CNH Industrial Parts & Service is a trademark in the United States and many other countries, owned by or licensed to CNH Industrial N.V., its subsidiaries or affiliates. [www.newholland.com/na](http://www.newholland.com/na)

For the latest product information, visit our website at [partstore.agriculture.newholland.com](http://partstore.agriculture.newholland.com)

**SOLD AND SERVICED BY:**

# LINKAGE PARTS

## AND FARM / INDUSTRIAL HARDWARE



**CNH** ORIGINAL PARTS



**NEW HOLLAND** AGRICULTURE