

TRACTOR LOADER

U80D



Profit-making power on the front and back.

The New Holland U80D tractor loader gives you versatility that pays. With 74 gross horsepower of clean power with its Tier 4 Final certified engine, you get responsive power at both bucket and hitch for loading, stacking, scraping and leveling. The U80D meets Tier 4 Final certifications by using a Particulate Matter Catalyst (PM-Cat) solution. This solution is based on particulate matter's continuous passive regeneration of soot by NO_2 generated on the DOC: $\text{C} + \text{NO}_2 = \text{NO} + \text{CO}/\text{CO}_2$

Superior operator comfort

The large, efficient, flat-deck operator platform provides easy-to-use controls and unobstructed views for outstanding visibility of the work site.



Superior scraping and leveling performance

The rugged Class II three-point hitch with controllable down pressure provides excellent scraping and leveling performance. For added versatility, add a 540-rpm power take off (PTO) to run PTO-driven attachments.

Smooth direction changes

The smooth synchromesh with power shuttle lets you make smooth direction changes between the four forward and four reverse gears.



Place loads precisely

The curved-arm loader linkage provided on the U80D tractor loader provides hydraulic bucket leveling for less spillback, as well as excellent reach at maximum dump height for truck loading. The unique reverse-mounted loader arm cylinders give you maximum bucket breakout force and superior dump speed on the bucket.



Model	Gross Horsepower hp (kW)	Base Unit Weight lbs. (kg)	3-Point Hitch Max Lift Force lbs. (N)	Loader SAE Heaped Capacity cu. yd. (m ³)
U80D	74 (55)	10,916 (4951)	3,501 (15 574)	1.03 (0.79) Long Lip Bucket 1.04 (0.80) 4 in 1 [®] Bucket

Single lever control

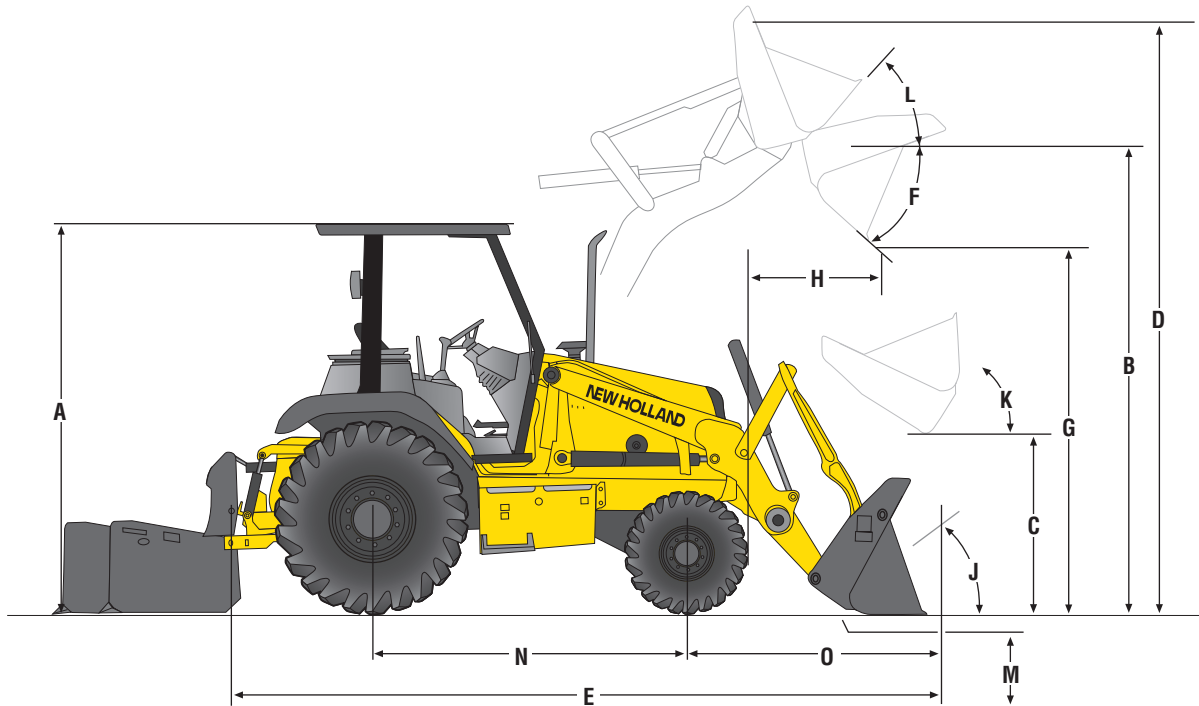
Fully integrated loader control lever allows the operator to control all loader and front auxiliary functions comfortably in one location.

Optional Glide Ride™

When you add the Glide Ride option, a flip of a switch turns the boom cylinders into the equivalent of giant shock absorbers to stabilize the load while traveling.

Optional PTO

For added versatility, a 540 rpm hydraulic Power Take Off (PTO) can be added to run PTO driven attachments.



LOADER DIMENSIONS

		Long Lip Bucket	4 IN 1® Bucket			Long Lip Bucket	4 IN 1® Bucket
A	Height to:	19.5 L x 24 Tires	17.5 L x 24 Tires	H	Dump reach @ full height, 45° dump:		
	Top of canopy, ft/in (m)	8' 12" (2.73)	8' 9" (2.67)		Bucket, ft/in (m)	2' 2" (0.66)	2' 2" (0.66)
	Height to top of canopy – Low profile ROPS, ft/in (m)	8' 9" (2.65)	8' 6" (2.59)		Clam open, in (m)	—	11.8 (0.29)
	Top of cab, ft/in (m)	8' 12" (2.74)	8' 10" (2.68)		Bucket rollback:		
B	Bucket hinge pin fully raised, ft/in (m)	11' 2" (3.41)	11' 2" (3.41)	J	@ Groundline	40°	40°
	Bucket hinge pin @ SAE carry, ft/in (m)	1' 1" (0.33)	1' 3" (0.37)		K	@ SAE carry	45°
C	Overall operating height – fully raised, ft/in (m)	13' 8" (4.17)	14' 3" (4.35)	L		@ Full height	Adjustable
	Overall length w/ 3-point hitch, ft/in (m)	16' 11" (5.15)	16' 8" (5.09)		M	Digging depth below grade:	
E	Width over tires:			Bucket flat, in (m)		7.8 (0.19)	7.1 (0.18)
	11 L x 16, ft/in (m)	6' 8" (2.02)	6' 8" (2.02)	Clam open (dozing), in (m)	—	4.4 (0.11)	
	12 L x 16.5, ft/in (m)	6' 10" (2.06)	6' 10" (2.06)	Ground clearance at front axle, in (m)	10.9 (0.28)	10.9 (0.28)	
	19.5 L x 24, ft/in (m)	6' 10" (2.07)	6' 10" (2.07)	N	Wheelbase 4WD, ft/in (m)	7' 1" (2.15)	7' 1" (2.15)
	17.5 L x 24, ft/in (m)	6' 10" (2.07)	6' 10" (2.07)		Wheelbase 2WD, ft/in (m)	7' 0" (2.14)	7' 0" (2.14)
F	Dump angle @ full height	46°	45°	O	Reach from front axle centerline – bucket on ground, ft/in (m)	6' 3" (1.89)	5' 12" (1.83)
	Dump clearance @ full height, 45° dump:				Maximum clam opening, ft/in (m)	—	3' 3" (0.97)
G	Bucket, ft/in (m)	9' 8" (2.93)	8' 11" (2.71)	Moldboard height, ft/in (m)	—	3' 1" (0.93)	
	Clam open, ft/in (m)	—	8' 8" (2.63)	Lift capacity to full height, lb (kg)	6,503 (2950)	6,537 (2965)	
				Breakout force:			
				Lift cylinders, lb (N)	9271 (41 239)	8766 (38 993)	
				Dump cylinders, lb (N)	9607 (42 734)	10,325 (45 928)	

Note: Loader dimensions taken with 4WD, 19.5 L x 24 rear tires and 82 in (2.08 m) general purpose bucket except as noted.

— Not Available

LOADER				
Single-lever 5 function control w/ self-leveling and Return-to-Dig		In-line, reverse linkage		
Positive hold float		Dual parallel dump cylinders		
Return-to-dig		Clutch disconnect button on loader control and shift levers		
Automatic self-leveling		Bucket position indicator		
Loader Bucket Sizes	Width, in (m)	Weight, lbs (kg)	Struck, yd ³ (m ³)	Heaped, yd ³ (m ³)
Long Life Bucket	82 (2.08)	686 (311)	.87 (.67)	1.03 (0.79)
4-in-1 Bucket	82 (2.08)	1451 (658)	.85 (.65)	1.04 (0.80)

ENGINE	
Turbo	
Model	F5HFL463D*F005
Type	4-stroke, turbocharged
Cylinders	4
Bore x stroke, in (mm)	3.9 x 4.33 (99 x 110)
Displacement, in ³ (L)	207 (3.4)
Fuel injection	Direct HPCR (High Pressure Common Rail)
Engine speeds, (rpm)	
Rated speed, full load	2,200
Low idle	900 - 1,000
High idle, no load	2,330 - 2,430
Horsepower (SAE J1349)	
Gross @ 2,200 rpm, (kW)	74 (55)
Net @ 2,200 rpm, (kW)	68.4 (51)
Maximum torque @ RPM	
Gross, lb-ft (Nm)	233 (316)
Net, lb-ft (Nm)	219 (298)
Torque rise at rated speed	35%

POWERTRAIN				
Transmission type	4 speed synchromesh with hydraulically actuated clutches and electric F/R shuttle control, clutch disconnect buttons on the transmission shifter and loader control lever			
Torque converter ratio (standard)	3:1			
Torque converter (PTO ready)	3.2:1			
Differential-lock	On the go push-button activation			
Service brakes	Individually applied hydraulically actuated, maintenance-free, self adjusting outboard mounted wet disc			
Parking brakes	Trans Mounted SAHR (Spring Applied Hydraulic Release)			
Travel speeds, mph (km/h)	1st	2nd	3rd	4th
Forward/Reverse (standard)	3.8 (6.1)	6.1 (9.8)	12.8 (20.6)	24.0 (38.6)
Forward/Reverse (PTO Ready)	3.5 (5.6)	5.5 (8.9)	11.8 (19)	21.3 (34.3)

Note: Travel speeds at 2,293 engine rpm with 19.5 L x 24 rear tires.

ELECTRICAL	
Voltage	12 Volts, negative ground
Alternator, amps	120
Battery	850 CCA
Optional batteries	850 CCA
Power plugs, amps	30 total

HYDRAULICS	
Pump	Gear-type, transmission mounted, direct drive to engine crankshaft
Loader flow @ rated engine rpm, gpm @ psi (L/min @ bar)	28.5 @ 3,000 (108 @ 207)
Loader control valve	2 or 3-spool with single lever control for lift, dump and tilt and auxiliary hydraulics, positive hold float and return-to-dig
3-pt hitch flow @ rated engine rpm, gpm @ psi (L/min @ bar)	3 to 8 @ 2,000 (0 to 30 @ 137)
3-pt hitch control valve	Sectional 4-spool, open-center parallel circuits with variable control for lift, pitch, tilt, and 2 auxiliary remotes
Loader auxiliary hydraulics, gpm (L/min)	12 to 28.5 (45.4 to 108)
Main relief pressure, psi @ gpm (bar @ L/min)	3,050 + 50 - 50 @ 28.5 (210 + 3 - 3 @ 108)
Filtration	7 micron full flow replaceable cartridge on return line, condition indicator light for filter
Oil cooler	Heavy-duty

TURNING DIAMETER		
2WD, ft/in (m)	Brakes on	12' 2" (3.70)
	Brakes off	12' 10" (3.91)
4WD-engaged, ft/in (m)	Brakes on	11' 7" (3.52)
	Brakes off	13' 9" (4.18)
4WD-disengaged, ft/in (m)	Brakes on	12' 3" (3.72)
	Brakes off	12' 11" (3.92)

Note: Turning diameter dimensions are curb to curb w/82" (2.08 m) general purpose bucket.

TIRES	
Front	2WD-11 L x 16.1, 10-ply rating 4WD-12 L x 16.5, 8-ply rating
Rear	2/4 WD-17.5 L x 24, 10-ply rating STD 2/4 WD-19.5 L x 24, 10-ply rating OPT

SERVICE CAPACITIES	
Fuel tank, gal (L)	30 (114)
Hydraulic system, gal (L)	
Total	19 (72)
Reservoir w/filter	15.3 (58)
Reservoir w/o filter	14.8 (56)
Transmission, gal (L)	
2WD Total system	4.5 (17)
4WD Total system	5.25 (20)
4WD Front axle, qt (L)	
Differential	5.8 (5.5)
Planetaries (each)	0.75 (0.7)
Rear Axle, qt (L)	
Differential	14.4 (13.6)
Planetaries (each)	1.6 (1.5)
Engine oil w/filter, qt (L)	8.5 (8)
Cooling system, qt (L)	17 (16.1)

3-POINT HITCH	
Category 1 & II 3-point hitch	
Hydraulic lift, pitch, tilt and (2) auxiliary remote	
Variable flow from 0 to 8 gpm (0 to 30 L/min)	
485 lbs (220 kg) counterweight included with hitch	
3-point Hitch Lift Capacity	
Hitch position	lbs (N)
Lowest point	2500 (11,121)
1/5	3247 (14,444)
2/5	3400 (15,125)
3/5	3501 (15,574)
4/5	3297 (14,666)
Highest point	2984 (13,274)

Note: Hitch position is vertical distance of lowest hitch point above ground.

3-POINT HITCH	
Base Unit* with added options	10,916 lbs
Cab	+646 lbs
4WD	+218 lbs
3,000 lbs (counterweight)	+3,000 lbs
500 lbs Rear (counterweight)	+500 lbs
440 lbs Front (counterweight)	+440 lbs
Box Scraper	+1592 lbs
4-in-1 Bucket	+717 lbs

*Unit configuration: 82" standard bucket, 2WD, 19.5L x 24 rear tires, ROPS cab, Suspension seat, dual batteries, no operator.

BASE EQUIPMENT	
ENGINE	Loader control lever w/push button activation of differential lock and transmission de-clutch
F5HFL463D*F005	Two Accessory power plugs (30 amp)
Turbocharged	Anti-vandalism covers
Automatic fan belt tensioner	Beverage holder
Integral engine oil cooling	Coat hook w/tether strap
Fuel filter with water trap	Interior rear-view mirror
Dual element air cleaner	2" (51 mm) retractable seat belt
120 amp alternator	Storage box
850 CCA 12-volt battery	
Heavy duty radiator	INSTRUMENTS
Particulate Matter Catalyst - Spark arresting	Gauges — back lit
POWERTRAIN	Engine water temperature
4WD – 2WD	Converter oil temperature
4F/4R Power shuttle	Fuel
synchronmesh transmission	Tachometer/hourmeter
Torque converter	Voltmeter
Transmission de-clutch	Warning lights
Electro-hydraulic differential lock	Air cleaner restriction
Hydrostatic steering	Alternator
Outboard wet disc brakes	Engine oil pressure
High tractive effort rear axle:	Hydraulic oil filter bypass
Reduction Ratio: 17.6	Parking brake engagement
HYDRAULICS	Rear axle fluid temperature sensing system
2 spool loader control valve	Low fuel
4 spool 3-point hitch control valve	A/C high pressure
Heavy-duty oil cooler	Cold start
Flip forward hood	Water in fuel
Lights:	Master warning
2 halogen headlights	Master stop
2 rear flood	Audible alarms
2 rear tail and stop	Coolant temperature
2 front flashers/turn	Engine oil pressure
2 rear flashers/turn	Parking brake engagement
OPERATOR ENVIRONMENT	Shuttle engagement
ROPS/FOPS canopy	Backup alarm
Key start	Regeneration
Hydrostatic steering	Converter oil temp
Standard seat w/15° right, 30° right	Turn signal indicators
Foot throttles	Horn

OPTIONAL EQUIPMENT	
OPERATOR STATION	LOADER
Cab w/ Heat and Air Conditioning	Loader Auxiliary Hydraulics and Controls (3 spool loader valve)
Vinyl Suspension Seat w/ Armrest (Std. on 4 wheel drive)	Pin-On Multipurpose (4X1)
Hand Throttle	82" Loader Bucket w/ Cutting Edge (includes auxiliary hydraulics)
Bluetooth radio (cab only)	Hydraulic Quick Coupler (From FFC, includes auxiliary hydraulics, 3 spool valve)
ENGINE	
Dual Batteries	
HYDRAULICS	OTHER
Laser-Ready Valve Kit (includes valve, plumbing, and electrical harness)	Drawbar
5 Spool, Dual Tilt Cylinders w/ Return to Position, Load Holding Valve, and 3 Point Hitch Control	Tool Box
3 Point Hitch w/ PTO Hydraulic Pump (required when installing or using an hydraulic PTO)	84" Box Scraper
Glide Ride	Rear Counterweight (3,000 lbs)
	Additional Stackable Rear Counterweights (475 lbs)
	19.5 x 24 10PR Rear Tires
	Wheel weights - good
	Wide Seat Belt, 3" (75 mm)



World class products demand world class dealers.



The purchase of a New Holland machine is just the beginning of our relationship together. Consider your experienced New Holland Construction equipment dealer as your local partner in productivity. Assistance in selecting the right model for your operation and developing an affordable leasing or financing plan through New Holland's financing division, CNH Industrial Capital, are just a few advantages your local dealer can provide.

Your New Holland dealer's full-service capabilities bring you responsive support with genuine New Holland parts and all-makes

coverage. More importantly, we are there wherever and whenever you need us with our fully equipped service vehicles. From customized maintenance programs to professional operator and technical training, our factory-trained service and parts experts are there to assist you with any of your equipment support needs.

Your business deserves nothing less than world-class products, supported by a world-class business partner. That's your local New Holland Construction equipment dealer — your partner in productivity.



Learn more at www.newholland.com



New Holland Construction
500 Diller Ave.
New Holland, PA 17557

Design, materials and/or specifications are subject to change without notice and without liability therefor. Specifications are applicable to units sold in Canada, the United States, its territories and possessions, and may vary outside these areas.

© 2022 CNH Industrial America LLC. All rights reserved. New Holland is a trademark registered in the United States and many other countries, owned by or licensed to CNH Industrial N.V., its subsidiaries or affiliates. Any trademarks referred to herein, in association with goods and/or services of companies, other than owned by or licensed to CNH Industrial N.V., its subsidiaries or affiliates, are the property of those respective companies.



Safety begins with a thorough understanding of the equipment. Always make sure you and your operators read the Operator's Manual before using the equipment. Pay close attention to all safety and operating decals and never operate machinery without all shields, protective devices and structures in place.