

SKID STEER LOADERS
SR130 | SR150 | SR175 | SV185 | SR200
SR220 | SV250 | SR250 | SV300

CASE
CONSTRUCTION



**POWER OUTSIDE,
COMFORT INSIDE**

www.casece.com
EXPERTS FOR THE REAL WORLD
SINCE 1842

MAIN REASONS TO CHOOSE THE SKID STEER LOADERS



RADIAL AND VERTICAL BOOM

Radial for digging and pushing.
Vertical for loading and carrying.



HIGH ROC

Additional counterweights.



HIGH VERSATILITY

Wide range of attachments.
Different auxiliary hydraulic solutions
to feed them.



COMFORTABLE AND SAFE CAB

Wide cab, flat floor, convenient lap bar,
optimized A/C air flow.
ROPS, FOPS certified.
Suspension and heated seats.



FAST ATTACHMENT CHANGE OVER

Mechanic or hydraulic quick coupler.
Connect Under Pressure (CUP) system to plug
hydraulic hoses with no wrenches.



HIGH VISIBILITY

Unique side lightening.
Large side windows for an excellent visibility.
Better sight lines to the tires, bucket edge, curb lines and even to the rear when backing up.



EASY ACCESS

Wider cab entrance.
Lower threshold.
Longer and ergonomic handles.



VERSATILE CONTROLS

Mechanical or EH customizable controls.
Speed and sensitivity can easily be adjusted.
ISO-H switchable controls.
Ride Control for a greater operator comfort.



TOP RANKING BREAKOUT FORCE

Aggressive cylinder mounting for superior digging efficiency.



OUTSTANDING STABILITY

Longer wheelbase.
Optimized weight distribution.

FEATURES



HIGH ROC with bolt-on counterweights

Simply bolt on additional counterweights to the rear sides of the machine. Increase ROC by adding counterweights to move more material, more quickly Decrease ROC (operating without counterweights to keep fuel costs down and decrease ground disturbance.



RADIAL AND VERTICAL BOOM Extended line up to meet any customer need

CASE has revised its skid steer loader line up to grant performance and productivity to an ever wider range of customers. The revised CASE SSL range includes six radial lift skid steers (SR models) and three vertical lift skid steers (SV models).



COMFORTABLE AND SAFE CAB

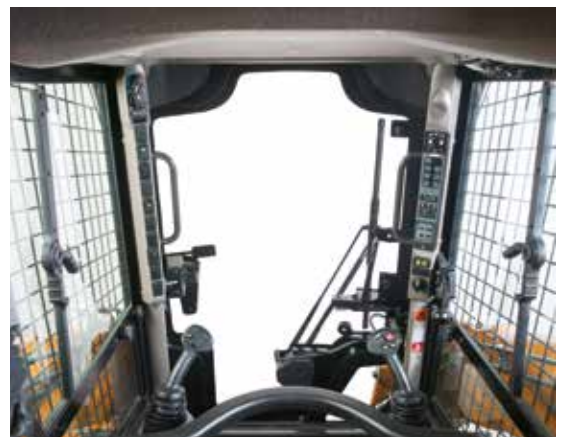
Leading operator comfort

The wide door, repositioned grab handles and a lower threshold provide easy access to the cab. All models have suspension seats and optional air suspension heated seats for the ultimate in comfort. If specified with full cab glazing and door, the cab is completely sealed to reduce the amount of noise and dust. All models benefit from a cab with up to 25% more internal width, providing greatly improved operator comfort. Our cab - the widest in the industry - provides plenty of room for comfortable operation, with greater headroom and legroom, more space between the control levers and easy access to the seat.



HIGH VISIBILITY Wider glazed surface for safer operations

The large glazed surface with ultra-narrow wire side screens, the lowered threshold and thinner front pillars provide the best visibility in the market (ROPS / FOPS cab).



EASY ACCESS Safety first

Low threshold, together with convenient grab handles make accessing the cab easy and safe.

BIG ON POWER, BIG ON COMFORT



VERSATILE CONTROLS

Tailor-made performance

The upgraded Case skids now offer EZ-EH (electrohydraulic) controls and software. Operators can quickly change between nine presets for speed and control customization.

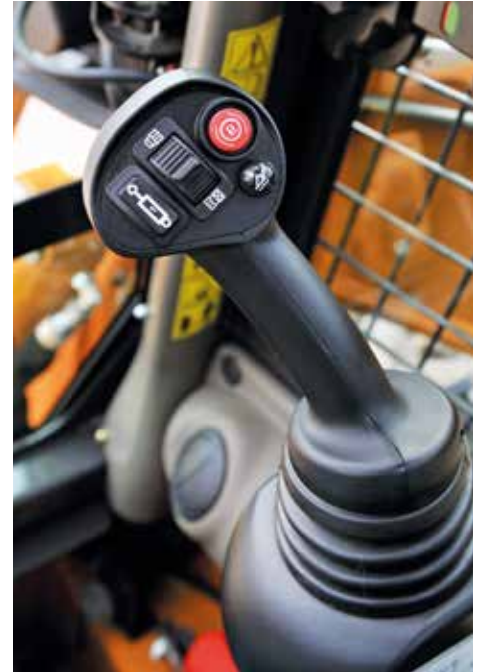
FREE TO CHOOSE THE MOST SUITABLE CONTROL

Mechanical or Electro Hydraulic controls

All controls are within easy reach and you can choose among mechanical hand drive levers or mechanical foot drive pedals, or electro-hydraulic controls.

Proportional auxiliary hydraulics

Standard Proportional control of Auxiliary Hydraulics with detent for smooth and precise attachment control. legroom, more space between the control levers and easy access to the seat.



OUTSTANDING STABILITY

with Case power stance chassis

Our power stance chassis rides on a 21% longer wheelbase, delivering greater stability and comfort and allowing increased lifting capabilities, regardless of jobsite conditions.



TOP RANKING BREAKOUT FORCE

Case cylinder and chassis design provides maximised pushing power

The cylinder geometry optimises the skid steer push and pull power, while the bucket support bearing directly on the chassis of the machine further adds to its pushing power.



FAST ATTACHMENT CHANGE OVER

Hydraulic Coupler Option

An optional hydraulic attachment coupler increases both operator comfort and uptime on the job site since attachments can be exchanged quickly and safely without leaving the cab.



HIGH VERSATILITY

Hydraulics simplified. Versatility maximised

Connect Under Pressure (CUP) system to plug hydraulic hoses with no wrenches. Three different Auxiliary Hydraulics Packages offered:



EFFECTIVE RIDE CONTROL

Optimised shock absorption

Comfort goes with productivity with CASE patented Ride Control. This optional feature is a shock absorber which reduces loader arm bouncing at elevated speed for greater material retention and increased operator comfort. More material moved, more quickly.

APPLICATIONS

CASE Skid Steer Loaders are compatible with more than 250 buckets, forks, brooms, augers, rakes, grapples, hydraulic hammers, snow accessories, bale spears and other CASE attachments. In addition, CASE has formed partnerships with numerous attachment manufacturers to offer your business even greater versatility. Consult your dealer for details.



URBAN Dust removal

CASE skid steer loaders mounting buckets, forks, booms or grapples will easily clean away dirt, dust and rubbish.



Light construction

Low-rise construction (cottages, town houses, small industrial and commercial outlets) is very popular in suburban and rural areas. CASE skid steer loaders equipped with backhoes, hammers or trenchers can provide contractors with highly effective and flexible support.



A PARTNER FOR EVERY JOB



LANDSCAPES

Environment care

CASE builds some of the most reliable, responsive, and comfortable landscaping equipment in the industry. Whatever the task, from landscape and hardscape installation to ground keeping, you can depend on CASE to help your team work faster, not harder.



ROADS AND BRIDGES

Valuable assistance

Cold planer, rock saw, concrete bucket – these and many other powerful attachments make CASE skid steer loaders a valuable asset in projects big and small, right down to the small and important jobs such as pothole patching.



Wide field

AGRICULTURE

Farmers – from dairy operations to cattle livestock farms – trust CASE Construction Equipment for a wide variety of tasks: clean stalls, load silage and clear land to make it work for them. A vast range of attachments is available to farmers in order to get their agricultural jobs done, faster and with ease.



TYRE OPTIONS

FUNCTIONAL VARIANTE	TYRE DESCRIPTION	SR130	SR150	SR175	SV185	SR200	SR220	SV250	SR250	SV300
8501207	10X16.5 HVY DUTY	x	x							
8501307	10X16.5 PREMIUM	x	x							
8501407	10X16.5 PREMIUM LINER	x	x							
8501507	27X15 PREMIUM	x	x							
8502107	10X16 NON-PNEU640TW	x	x							
8505207	31.5 X 13 FLOATATION 660TW	x	x							
8505607	10X16.5 TWEEL 640TW	x	x	x	x	x				
8501707	10X16.5 HVY DUTY			x	x	x				
8502007	10X16.5 SEVERE DUTY			x	x	x				
8502107	10X16 NON-PNEU640TW			x	x	x				
8501807	10X16.5 PREMIUM			x	x	x	x			
8503107	12X16.5 HVY DUTY			x	x	x	x	x	x	x
8503207	12X16.5 PREMIUM			x	x	x	x	x	x	x
8503307	12X16.5 PREMIUM LINER			x	x	x	x	x	x	x
8505007	33X15 FLOTATION760TW			x	x	x	x	x	x	x
8503407	12X16.5 SEVERE DUTY					x	x	x	x	x
8503507	12X16.5 MINING					x	x	x	x	x
8505707	12X16.5 TWEEL 700TW					x	x	x	x	x
8505107	14X17.5 PREMIUM						x	x	x	x



VERSATILITY AND EFFECTIVENESS EASILY CONNECTED



COLD PLANER



SLOT CUTTER



PLATE COMPACTOR



D-SERIES MULTI-BUCKET



LOW PROFILE PICKUP BROOM



HEAVY DUTY ANGLE BROOM



BERM GRINDER



AUGER



BRUSH CUTTER



STUMP GRINDER



MANHOLE SAW



SURFACE PREP

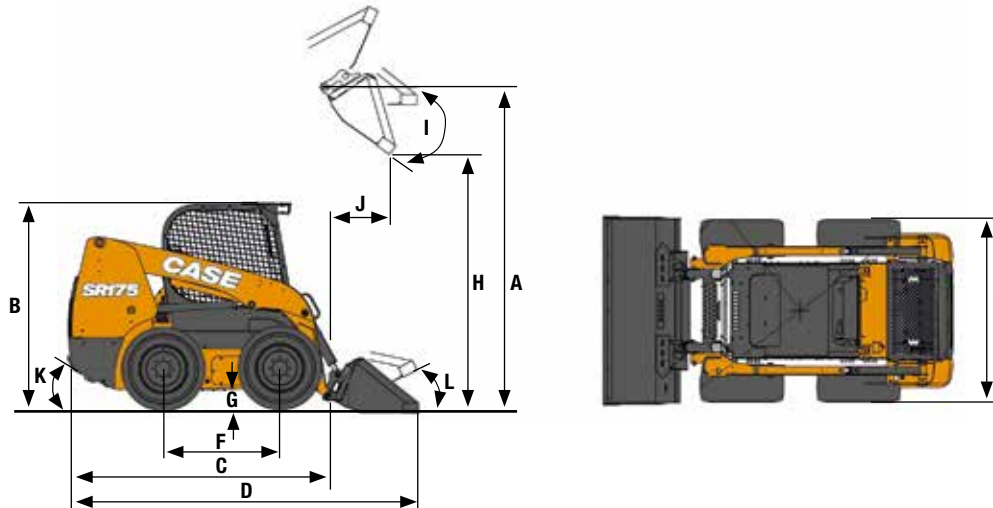


ROTARY TILLER



PALLET FORKS

SKID STEER LOADERS



GENERAL DIMENSIONS

	SR130	SR150	SR175	SV185	SR200
A - Height to Bucket Hinge Pin	2.845 mm	2.845 mm	3.099 mm	3.048 mm	3.124 mm
B - Height to Top of ROPS	1.919 mm	1.919 mm	1.974 mm	1.974 mm	1.998 mm
C - Length without attachment	2.435 mm	2.435 mm	2.685 mm	2.710 mm	2.669 mm
D - Length with bucket *	3.028 mm	3.028 mm	3.305 mm	3.345 mm	3.292 mm
E - Overall Width	1.518 mm	1.518 mm	1.678 mm	1.678 mm	1.755 mm
F - Wheelbase	941 mm	941 mm	1.128 mm	1.128 mm	1.128 mm
G - Ground Clearance	178 mm	178 mm	178 mm	178 mm	203 mm
H - Dump height *	2.246 mm	2.246 mm	2.470 mm	2.377 mm	2.495 mm
I - Dump Angle	40°	40°	40°	52°	40°
J - Dump Reach @ Max Height	469 mm	469 mm	542 mm	783 mm	517 mm
K - Angle of Departure	22°	22°	23°	23°	25°
L - Rollback Angle (Bucket on Ground)	26°	26°	31.6°	35°	31°

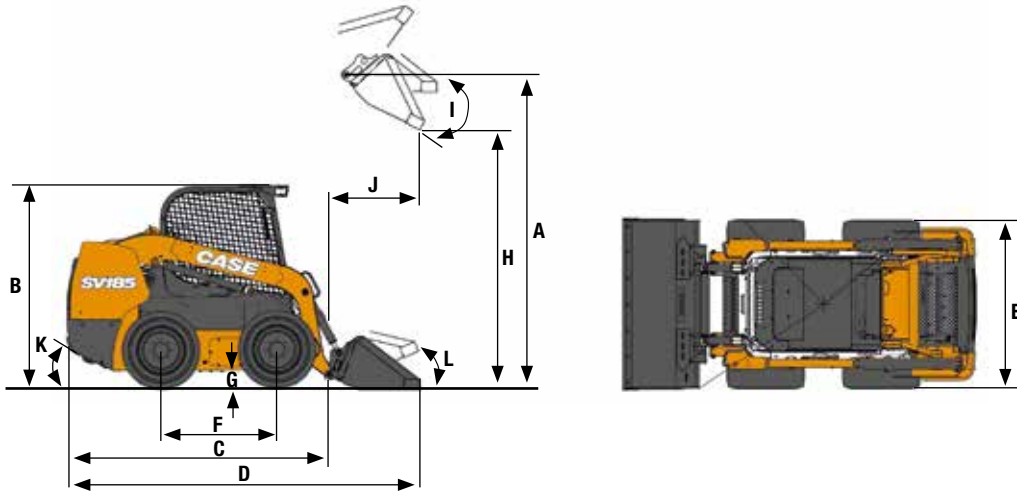
* With D&F Bucket

SPECIFICATIONS

	SR130	SR150	SR175	SV185	SR200
PERFORMANCE SPECS					
Rated Operating Capacity 50%	590 kg	680 kg	790 kg	840 kg	905 kg
ROC with counterweights 50%	635 kg	725 kg	835 kg	885 kg	950 kg
Tipping Load	1.179 kg	1.361 kg	1.588 kg	1.678 kg	1.814 kg
Lift Cylinder Breakout Force*	12,7 kN	14,1 kN	17 kN	15,3 kN	20,3 kN
Bucket Cylinder Breakout Force*	18,6 kN	18,6 kN	32,3 kN	24,7 kN	32,3 kN
ENGINE					
Engine Brand	ISM	ISM	ISM	ISM	FPT
Displacement	2,2 l	2,2 l	2,2 l	2,2 l	3,2 l
Horsepower	49 hp @ 2.800 rpm	60 hp @ 2.800 rpm	60 hp @ 2.800 rpm	60 hp @ 2.800 rpm	74 hp @ 2.500rpm
Peak torque	143 Nm @1.800 rpm	171 Nm @ 1.800 rpm	171 Nm @ 1.800 rpm	171 Nm @ 1.800 rpm	275 Nm @ 1.400 rpm
TRAVEL SPEED					
Low Range	12,7 km/h	12,7 km/h	12,7 km/h	12,7 km/h	11,4 km/h
High Range (Optional)	NA	NA	18 km/h	18 km/h	16,9 km/h
HYDRAULIC SYSTEM					
Pump flow	59 LPM	59 LPM	72 LPM	72 LPM	85 LPM
Optional high flow	N/A	N/A	109 LPM	109 LPM	117 LPM
WEIGHTS					
Operating Weight	2.300 kg	2.430 kg	2.842 kg	2.980 kg	3.160 kg
Shipping Weight	2.160 kg	2.300 kg	2.705 kg	2.840 kg	3.025 kg
SERVICE CAPACITY					
Fuel Tank	60,5 l	60,5 l	75,5 l	75,5 l	75,5 l

* Breakout forces estimated considering both tip and hydraulic limits

SPECIFICATIONS



GENERAL DIMENSIONS

	SR220	SV250	SR250	SV300
A - Height to Bucket Hinge Pin	3.178 mm	3.302 mm	3.178 mm	3.302 mm
B - Height to Top of ROPS	2.002 mm	2.002 mm	2.002 mm	2.002 mm
C - Length without attachment	2.981 mm	2.990 mm	2.981 mm	2.990 mm
D - Length with bucket *	3.611 mm	3.604 mm	3.611 mm	3.604 mm
E - Overall Width	1.768 mm	1.768 mm	1.768 mm	1.768 mm
F - Wheelbase	1.322 mm	1.322 mm	1.322 mm	1.322 mm
G - Ground Clearance	203 mm	203 mm	203 mm	203 mm
H - Dump height *	2.562 mm	2.629 mm	2.562 mm	2.629 mm
I - Dump Angle	38°	45°	38°	45°
J - Dump Reach @ Max Height*	494 mm	672 mm	494 mm	672 mm
K - Angle of Departure	23,5°	23,5°	23,5°	23,5°
L - Rollback Angle (Bucket on Ground)	31°	35°	31°	35°

* With D&F Bucket

SPECIFICATIONS

	SR220	SV250	SR250	SV300
PERFORMANCE SPECS				
Rated Operating Capacity 50%	1.000 kg	1.135 kg	1.135 kg	1.364 kg
ROC with counterweights 50%	1.090 kg	1.225 kg	1.225 kg	1.450 kg
Tipping Load	2.000 kg	2.270 kg	2.270 kg	2.727 kg
Lift Cylinder Breakout Force*	24,4 kN	21,4 kN	25,3 kN	24,5 kN
Bucket Cylinder Breakout Force*	38,7 kN	33,7 kN	33,3 kN	33,7 kN
ENGINE				
Engine Brand	FPT	FPT	FPT	FPT
Displacement	3,2 l	3,2 l	3,2 l	3,2 l
Horsepower	82 hp @ 2.500 rpm	82 hp @ 2.500 rpm	90 hp @ 2.500 rpm	90 hp @ 2.500 rpm
Peak torque	305 Nm @ 1.400 rpm	305 Nm @ 1.400 rpm	340 Nm @ 1.400 rpm	340 Nm @ 1.400 rpm
TRAVEL SPEED				
Low Range	11,3 km/h	11,3 km/h	11,3 km/h	11,3 km/h
High Range (Optional)	16,9 km/h	16,9 km/h	16,9 km/h	16,9 km/h
HYDRAULIC SYSTEM				
Pump flow	85 LPM	85 LPM	85 LPM	85 LPM
Optional high flow	131 LPM	131 LPM	131 LPM	131 LPM
WEIGHTS				
Operating Weight	3.350 kg	3.630 kg	3.490 kg	3.765 kg
Shipping Weight	3.200 kg	3.475 kg	3.340 kg	3.610 kg
SERVICE CAPACITY				
Fuel Tank	96,5 l	96,5 l	96,5 l	96,5 l

* Breakout forces estimated considering both tip and hydraulic limits



PARTS AND SERVICE

Wide network of customer support across the world.

No matter where you work, we're here to support and protect your investment and exceed your expectations. You can count on Case and your Case dealer for full-service solutions-productive equipment, expert advice, flexible financing, genuine Case parts and fast service. We're here to provide you with the ultimate ownership experience. To locate a Case dealer or learn more about Case equipment or customer service, go to www.casece.com

NOTE: CASE provides specific outfits for various countries and many optional fittings (OPT). The illustrations on this or other leaflets may relate to standard or optional fittings. Please consult your CASE dealer for any information in this regard and any possible updating on components. CNH Industrial reserves the right to modify machine specifications without incurring any obligation relating to such changes.

creative-farm.it 05/2019

