

CASE

CONSTRUCTION

MINI-EXCAVATORS

CX20B^{ZTS} CX22B^{ZTS} CX27B^{ZTS} Serie



	CX20B	CX22B	CX27B
Engine Horsepower	17 kW/23 hp Tier 2	17 kW/23 hp Tier 3	17 kW/23 hp Tier 3
Operating weight (max.)	2550 kg	2550 kg	2760 kg
Max. digging depth	2650 mm	2650 mm	2790 mm

P R O F E S S I O N A L P A R T N E R



HYDRAULICS

Completely redesigned component layout: hydraulic components are now grouped on the right side of the machine. A wide, hinged panel provides **easy access to all hydraulic components**. The lower deck can be easily and independently unbolted.



ENGINE

The **new engines** are still located at the rear but the **access to main components** such as **air filter, engine oil filters** and the **water separator**, is now **highly improved** thanks to the **new layout** and to a **wide, hinged panel**.



ZERO TAIL SWING

A **smart, compact design** allows these machines to **rotate completely within the width of their tracks**. With the advantage of zero tail swing, operators enjoy the confidence that **the excavator won't strike work-site objects or suffer damage**. In this case, zero means a lot.



FUEL TANK

The **Polyethylene, rust free, fuel tank** is now located on the left-rear side of the machine and **can be easily refilled from ground level** simply by **unscrewing the fuel cap**.



BLADE

The front blade, newly designed, features a sophisticated “roll away” shape.

In backfilling operations, the earth rolls away in front of the blade.

In addition, it ensures unrivalled strokes:

- for **quicker backfilling operations**;
- for **excellent gradeability** with the blade raised, to overcome obstacles, such as heaps of earth, on the job site.



CAB / CANOPY ERGONOMY

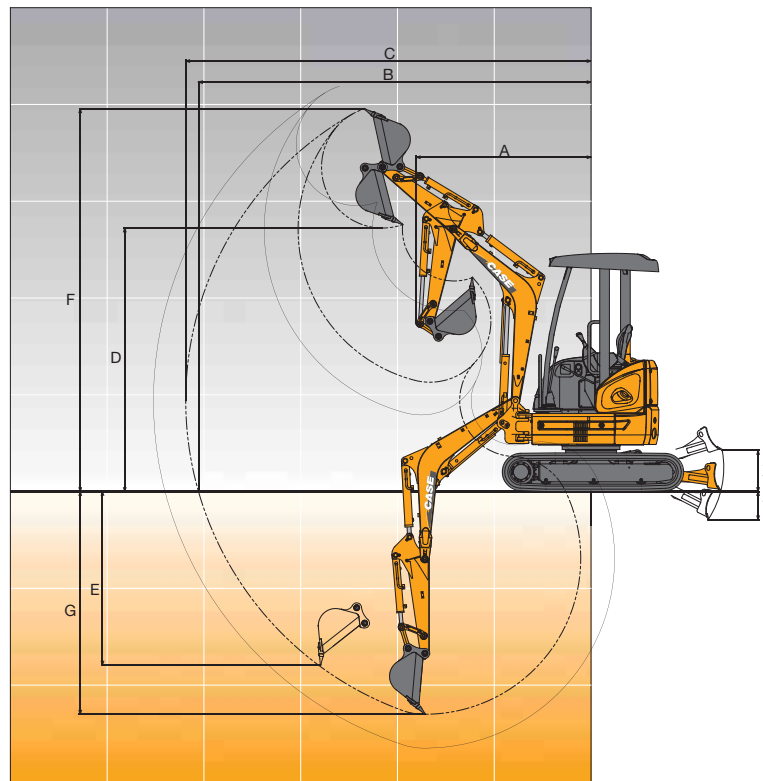
Wider entrance and operator compartment.

Enhanced visibility in all directions, both in cab and canopy versions. **Ergonomically located, pilot-operated joystick controls**, combined with the well located pedals and switches, provide **maximum operator comfort**.

TRACKS

The machine can be supplied with **rubber or steel tracks** which are **completely interchangeable**. This gives the customer free choice according to the job site where the machine is expected to operate.

WORKING RANGE



CX20B^{ZTS} canopy

CX22B^{ZTS} cab

CX27B^{ZTS} canopy

CX27B^{ZTS} cab

		CX20B ^{ZTS} canopy		CX22B ^{ZTS} cab		CX27B ^{ZTS} canopy		CX27B ^{ZTS} cab	
		STD. DIPPER 0.98 m	LONG DIPPER 1.33 m	STD. DIPPER 0.98 m	LONG DIPPER 1.33 m	STD. DIPPER 1.12 m	LONG DIPPER 1.37 m	STD. DIPPER 1.12 m	LONG DIPPER 1.37 m
A Min. swing radius	mm	1800	1900	2030	2070	1830	1880	2060	2080
B Max. digging reach at ground level	mm	4060	4400	4060	4400	4510	4770	4510	4770
C Max. digging reach	mm	4190	4520	4190	4520	4640	4890	4640	4890
D Max. dumping height	mm	2720	2950	2470	2650	3170	3380	2970	3170
E Max. vertical digging depth	mm	1790	2130	1790	2130	2320	2560	2320	2560
F Max. digging height	mm	3960	4190	3660	3850	4470	4690	4260	4470
G Max. digging depth	mm	2300	2650	2300	2650	2540	2790	2540	2790
X Dozer strokes (above)	mm	425	425	425	425	445	445	445	445
Y Dozer strokes (below)	mm	290	290	290	290	335	335	335	335
Bucket breakout force	kN	20		20		22		22	
Dipperstick breakout force	kN	14		14		15		15	
Bucket range	m ³	0.035 - 0.088		0.035 - 0.088		0.035 - 0.088		0.035 - 0.088	

ENGINE

Model	YANMAR 3TNV82A-SYB
Type	Water-cooled, 4 cycle, direct injection, diesel engine*
Cylinders	3
Bore and stroke	82 mm x 84 mm
Displacement	1330 cm ³
Net output power (ISO 14396)	17 kW/23 hp @ 2200 rpm
Net maximum torque	80.1 Nm @ 1320 rpm
Starting motor	1.7 kW
Alternator	40 A / 12 V
Batteries	1 x 64 Ah

* Tier 2 emissioned engine complies with 97/68/CE STAGE 2 rules

PERFORMANCE

Travel speed (rubber/steel tracks)	low	2.3 km/h
	high	4.1 km/h
Gradeability		58% - 30°
<small>(Gradeability is limited by engine lubrication requirements)</small>		

CAPACITIES

Fuel	28.0 litres
Coolant	3.8 litres
Engine oil	5.5 litres
Hydraulic system	25.0 litres

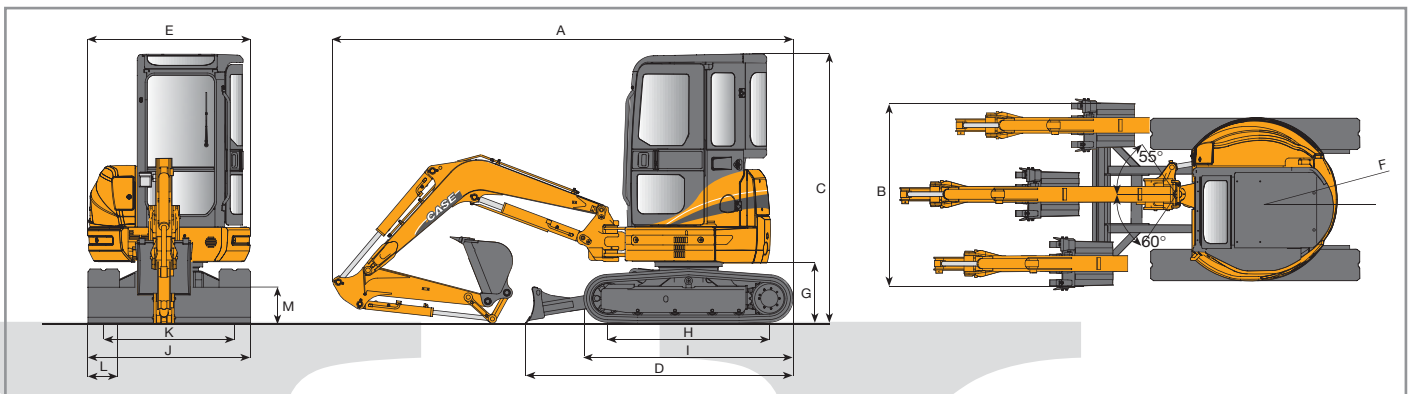
HYDRAULIC SYSTEM

Hydraulic pumps	2 variable displacement axial piston pumps + 1 gear pump
Total delivery	2 x 26 l/min + 14 l/min
Max. operating pressure	230 bar
Hydraulic motor with reduction gear	2-axial piston, 2-speed motor
Cylinders (boom, dipper, boom swing, bucket, dozer)	Double action cylinders

SWING

Hydraulic motor	Axial piston type	
Swing speed	8.7 rpm	
Swing brake	Automatic	
Boom swing type	Hydraulic cylinder	
Boom swing angle	right	55°
	left	60°
Tail swing radius (F)	700 / 740 - 750 mm	

GENERAL DIMENSIONS



		CX20B ^{ZTS} canopy CX22B ^{ZTS} cab	CX27B ^{ZTS} canopy CX27B ^{ZTS} cab
A Overall length	mm	3820	4130
B Overall width	mm	1400	1500
C Overall height	mm	2460	2500
D Basic machine length	mm	2260	2410
E Width of upperstructure	mm	1400	1400
F Tail swing radius	mm	700 / 740	750
G Ground clearance of rear end	mm	480	520
H Length of tracks on ground	mm	1490	1590
I Overall length of crawler	mm	1870	1980
J Overall width of crawler	mm	1400	1500
K Track gauge	mm	1150	1250
L Crawler shoe width (rubber/steel)	mm	250	250
M Blade height	mm	300	300
Ground clearance of undercarriage	mm	250	250

WEIGHTS AND GROUND PRESSURE

		CX20B ^{ZTS} canopy CX22B ^{ZTS} cab		CX27B ^{ZTS} canopy CX27B ^{ZTS} cab		
		●	●	●	●	
OPERATING WEIGHT	Rubber tracks	kg	2100	2420	2490	2630
	Steel tracks	kg	2230	2550	2620	2760
GROUND PRESSURE	Rubber tracks	bar	0.26	0.27	0.28	0.30
	Steel tracks	bar	0.27	0.29	0.30	0.31

Additional bolted counterweight is available when "High stability" performance is required:

Weight	kg	+172	+172
Tail swing radius	mm	+74	+74



LIFTING CAPACITY

CX20B^{ZTS} canopy

DIPPER 1330 mm																
Height (m)	Reach															
	1.0 m		1.5 m		2.0 m		2.5 m		3.0 m		3.5 m		4.0 m		Max reach	
	Front	Side	Front	Side	Front	Side	Front	Side	Front	Side	Front	Side	Front	Side	Reach	
4.0																
3.5									0.41	0.37						
3.0									0.39	0.34						
2.5																
2.0									0.40	0.34	0.38	0.26				
1.5								0.51	0.45	0.46	0.33	0.37	0.25			
1.0					0.90	0.60	0.63	0.43	0.47	0.32	0.37	0.25		0.31	0.20	3.80
0.5					0.86	0.57	0.61	0.41	0.46	0.31	0.36	0.24				
0			0.86	0.86	0.84	0.55	0.59	0.39	0.45	0.30	0.36	0.24				
-0.5	0.94	0.94	1.28	0.89	0.84	0.55	0.59	0.39	0.45	0.30	0.36	0.24				
-1.0	1.36	1.36	1.44	0.90	0.85	0.55	0.59	0.39	0.45	0.30						
-1.5	1.90	1.90	1.34	0.92	0.86	0.57	0.60	0.40								
-2.0			0.59	0.59	0.43	0.43										

CX22B^{ZTS} cab

Value are expressed in tonnes

DIPPER 1330 mm																
Height (m)	Reach															
	1.0 m		1.5 m		2.0 m		2.5 m		3.0 m		3.5 m		4.0 m		Max reach	
	Front	Side	Front	Side	Front	Side	Front	Side	Front	Side	Front	Side	Front	Side	Reach	
4.0																
3.5																
3.0																
2.5									0.57	0.52						
2.0									0.59	0.53	0.55	0.40				
1.5									0.92	0.71	0.70	0.52	0.54	0.39	0.44	0.32
1.0									0.97	0.67	0.70	0.52	0.54	0.38	0.43	0.31
0.5									0.94	0.65	0.68	0.48	0.53	0.38	0.43	0.31
0									0.94	0.64	0.67	0.48	0.52	0.37		
-0.5	1.34	1.34	1.54	1.00	0.94	0.65	0.67	0.47	0.52	0.37						
-1.0	1.97	1.97	1.50	1.02	0.95	0.66	0.68	0.48								
-1.5			0.95	0.95	0.67	0.67										
-2.0																

CX27B^{ZTS} cab

DIPPER 1120 mm																
Height (m)	Reach															
	1.0 m		1.5 m		2.0 m		2.5 m		3.0 m		3.5 m		4.0 m		Max reach	
	Front	Side	Front	Side	Front	Side	Front	Side	Front	Side	Front	Side	Front	Side	Reach	
4.0																
3.5							0.53	0.53								
3.0									0.47	0.47						
2.5									0.47	0.47	0.48	0.36				
2.0							0.59	0.59	0.52	0.47	0.49	0.36				
1.5																
1.0							1.05	0.85	0.74	0.60	0.60	0.45	0.50	0.35		
0.5									0.82	0.57	0.62	0.44	0.49	0.35		0.40 0.28 4.00
0							0.98	0.77	0.80	0.56	0.61	0.43	0.49	0.34		
-0.5	1.08	1.08	1.28	1.28	1.14	0.77	0.79	0.55	0.60	0.42	0.48	0.33				
-1.0	1.62	1.62	1.67	1.30	1.15	0.88	0.80	0.55	0.61	0.42						
-1.5			1.27	1.27	0.91	0.80	0.67	0.56								
-2.0					0.53	0.53										

DIPPER 1370 mm																
Height (m)	Reach															
	1.0 m		1.5 m		2.0 m		2.5 m		3.0 m		3.5 m		4.0 m		Max reach	
	Front	Side	Front	Side	Front	Side	Front	Side	Front	Side	Front	Side	Front	Side	Reach	
4.0																
3.5									0.47	0.47						
3.0											0.42	0.42				
2.5													0.42	0.36		
2.0													0.41	0.36		
1.5											0.46	0.46	0.44	0.36	0.40	0.28
1.0													0.48	0.35	0.40	0.28
0.5											0.86	0.86	0.64	0.61	0.54	0.45
0											1.18	0.81	0.80	0.58	0.62	0.44
-0.5	0.86	0.86	1.08	1.08	1.13	0.76	0.78	0.54	0.59	0.41	1.14	0.77	0.80	0.55	0.61	0.42
-1.0	1.28	1.28	1.62	1.27	1.14	0.76	0.79	0.54	0.59	0.41	0.48	0.33	0.39	0.27	0.36	0.25
-1.5	1.81	1.81	1.56	1.29	1.06	0.78	0.78	0.55	0.56	0.42	0.48	0.33				
-2.0			0.99	0.99	0.70	0.70	0.45	0.45								

As per ISO 10567 with excavator equipped with bucket.

Worldwide Case Construction Equipment Contact Information

EUROPE/AFRICA/MIDDLE EAST:
Centre D'affaires EGB
5, Avenue Georges Bataille - BP 40401
60671 Le Plessis-Belleville - FRANCE

NORTH AMERICA/MEXICO:
700 State Street
Racine, WI 53404 U.S.A.

LATIN AMERICA:
Av. General David Sarnoff 2237
32210 - 900 Contagem - MG
Belo Horizonte BRAZIL

ASIA PACIFIC:
Unit 1 - 1 Foundation Place - Prospect
New South Wales - 2148 AUSTRALIA

CHINA:
No. 29, Industrial Premises, No. 376,
De Bao Road, Waigaoqiao Ftz, Pudong,
SHANGHAI, 200131, P.R.C.

NOTE: Standard and optional fittings can vary according to the demands and specific regulations of each country. The illustrations may include optional rather than standard fittings - consult your Case dealer. Furthermore, CNH reserves the right to modify machine specifications without incurring any obligation relating to such changes.

Case Construction Equipment

CNH UK Ltd.
Armstrong House
The Finningley Estate
Hayfield Lane
Doncaster
DN9 3XA
Fax +44 (0)1302 802126

www.casece.com

CASE
CONSTRUCTION



Conforms to directive 98/37/CE