

## T-SERIES BACKHOE LOADERS SPEC SHEET



### ENGINE

Conform to 97/68/CE Tier 3 standards for reduced pollution -  
4 cylinders Turbocharged 4,5 liter

Injection system \_\_\_\_\_ Direct Mechanical  
Make \_\_\_\_\_ CNH 445TA/ML5  
Power (according to ISO 14396) \_\_\_\_\_ 72 kW / 97 hp  
Maximum torque (according to EC/97/68) \_\_\_\_\_ 400 Nm @ 1400 1/min

### TRANSMISSION

#### Powershuttle

Forward speeds \_\_\_\_\_ 6-10-21-40 Km/h  
Reverse speeds \_\_\_\_\_ 7-12-25-47 Km/h

### HYDRAULICS

Type of pump and flow \_\_\_\_\_ Variable Displ. 6 to 165 l/min @ 2200 rpm  
Twin Gear Pump 156 l/min @ 2200 rpm  
Maximum pressure level \_\_\_\_\_ 205 bars

### BATTERY

12 Volts / 12V 95Ah, 900A (SAE) / 120 A

### OPERATING WEIGHT

In sideshift version, with the standard tooth loader bucket, 610 mm  
rear bucket, full fuel tank and 75 kg operator  
4 WD, standard dipper/Ext. \_\_\_\_\_ 7950 Kg  
4 WD, extendible dipper/Ext \_\_\_\_\_ 8050 Kg

### TURNING RADIUS

Front tires 12.5/80-18, wheel not braked, 4WD engaged \_ 4300 mm  
at ext. edge of front tires / 5600 mm at bucket corner

### AXLES, TIRES AND BRAKE

Brake \_\_\_\_\_ Power braking: brake with friction area of 2,472 cm<sup>2</sup>  
Tires \_\_\_\_\_ Tires must be multi-purpose, or Industrial for hard terrain,  
or Agricultural for loose terrain  
Front tires \_\_\_\_\_ 18" front with 26" or 28" rear or 20" front  
with 30" rear - differential lock  
Front axle: oscillation \_\_\_\_\_ +/- 11°

### CAPACITIES

Fuel tank \_\_\_\_\_ 145 l  
Cooling system \_\_\_\_\_ 24 l  
Hydraulic oil \_\_\_\_\_ 126 l  
Gear box oil: Power Shuttle 4 WD \_\_\_\_\_ 20.8 l  
Front axle 4WD Differential \_\_\_\_\_ 6,5 l  
Output stage \_\_\_\_\_ 0,7 l +0,7 l  
Rear axle 4WD Total \_\_\_\_\_ 21,2 l

### EMISSIONS (g/kWh)

CO<sub>2</sub> emission \_\_\_\_\_ 773  
NO<sub>x</sub> emission \_\_\_\_\_ 4.1  
HC emission \_\_\_\_\_ 0.1  
CO emission \_\_\_\_\_ 1,8  
PM emission \_\_\_\_\_ 0,26  
NO<sub>x</sub> + HCNM emission \_\_\_\_\_ 4,2

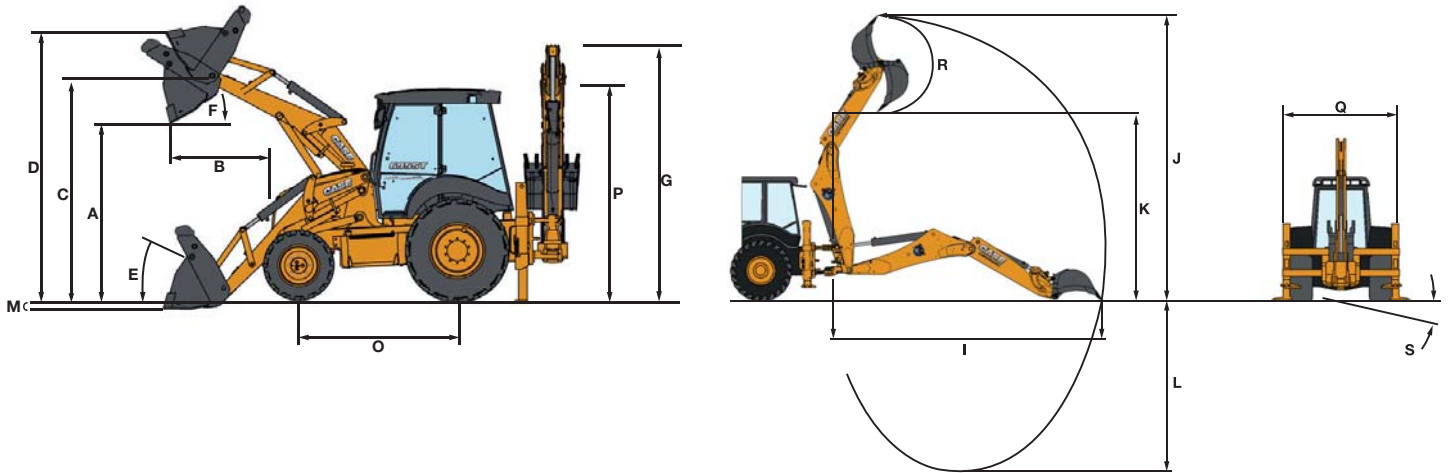
### NOISE

Internal dB(A) \_\_\_\_\_ 77  
External dB(A) \_\_\_\_\_ 102

### VIBRATION LEVELS

Upper limbs \_\_\_\_\_ 2.5 m/s<sup>2</sup>  
Abdomen \_\_\_\_\_ 0.5 m/s<sup>2</sup>

**GENERAL DIMENSIONS**



LOADER	Straight arm	Tool carrier arm
A Maximum dump height under bucket at 45°	2780 mm	2685 mm
B Maximum reach with bucket at 45°	785 mm	830 mm
C Maximum height pin	3500 mm	3460 mm
D Maximum bucket height	4405 mm	4250 mm
M Horizontal bucket digging depth	75 mm	120 mm
E Bucket angle (on ground)	43°	43°
F Bucket angle (in the transport position)	46°	46°
Lift capacity (at bucket load centre of gravity)	4970 kg	4830 kg
Maximum height lifting capacity	3550 kg	3450 kg
Lift force (boom cylinders)	3625 daN	4050 daN
Breakout force (bucket cylinders)	6340 daN	6545 daN

BACKHOE	Extended	Std/Retracted
Swinging angle	180°	180°
L Maximum digging depth	5435 mm	4369 mm
I Maximum reach from swing centre	6238 mm	5229 mm
Maximum reach at rear axle	7563 mm	6554 mm
J Maximum operating height	6789 mm	5875 mm
K Load height	4834 mm	3923 mm
Central offset	0.62 m	0.62 m
Lift capacity at max outreach	1049 kg	1393/1296 kg
Breakout force (bucket)	5323 daN	5323 daN
Breakout force (dipperstick)	2441 daN	3352 daN
R Bucket rotation	200°/195° hyd. QC	200°/195° hyd. QC

TRANSPORT DIMENSIONS	
G Boom height (transport position)	3455 mm
Overall length with standard bucket	5560 mm
O Wheelbase	2175 mm
P Cab height	2950 mm
Q Overall width with standard bucket	2430 mm
Width outside tires	2230 mm
S Stabilizer leveling compensation angle	14°

