

SKID STEER LOADERS SPEC SHEET



SPECIFICATIONS

| | SR175 | SV185 | SR200 |
|-------------------------------------|--------|----------|--------|
| Rated operating capacity 50% (kg) | 790 | 840 | 905 |
| ROC with counterweights 50% (kg) | 835 | 885 | 950 |
| Tipping load (kg) | 1588 | 1678 | 1814 |
| Lift cylinder breakout force (kN) | 21.3 | 12.2 | 27.3 |
| Bucket cylinder breakout force (kN) | 31.8 | 24.2 | 31.8 |
| Boom geometry | Radial | Vertical | Radial |

ENGINE

| | SR175 | SV185 | SR200 |
|------------------|--------|--------|---------|
| Engine model | ISM | ISM | FPT F5C |
| Emission level | Tier 3 | Tier 3 | Tier 3 |
| Displacement (l) | 2.2 | 2.2 | 3.2 |
| Horsepower (hp) | 60 | 60 | 74 |
| (@ rpm) | 2900 | 2900 | 2500 |
| Peak torque (Nm) | 171 | 171 | 275 |
| (@ rpm) | 1800 | 1800 | 1400 |
| Aspiration type | Turbo | Turbo | Turbo |

TRAVEL SPEED

| | SR175 | SV185 | SR200 |
|------------------------------|-------|-------|-------|
| Low range (km/h) | 11.9 | 11.9 | 11.6 |
| High range (optional) (km/h) | 18.5 | 18.5 | 19.2 |

HYDRAULIC SYSTEM

| | SR175 | SV185 | SR200 |
|--------------------------|-------|-------|-------|
| Pump flow (lpm) | 72 | 72 | 85 |
| Optional high flow (lpm) | 108 | 108 | 116 |
| Relief pressure (bar) | 207 | 207 | 207 |

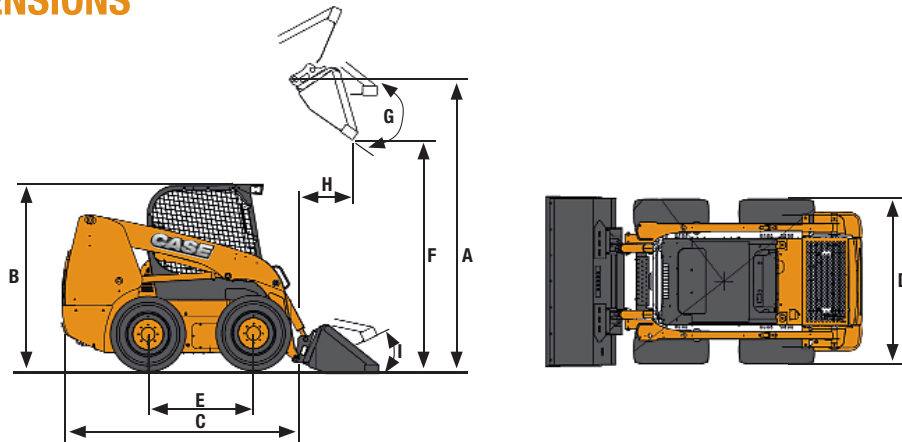
WEIGHTS

| | SR175 | SV185 | SR200 |
|-----------------------|-------|-------|-------|
| Operating weight (kg) | 2812 | 2950 | 3130 |
| Shipping weight (kg) | 2675 | 2810 | 2995 |

SERVICE CAPACITY

| | SR175 | SV185 | SR200 |
|---------------|-------|-------|-------|
| Fuel tank (l) | 75.5 | 75.5 | 75.5 |

GENERAL DIMENSIONS



| | | | SR175 | SV185 | SR200 |
|---|-----------------------------------|----|-------|-------|-------|
| A | Height to bucket hinge pin | mm | 3099 | 3048 | 3124 |
| B | Height to top of ROPS | mm | 1974 | 1974 | 1998 |
| C | Length without attachment | mm | 2685 | 2710 | 2669 |
| D | Overall width | mm | 1678 | 1678 | 1755 |
| E | Wheelbase | mm | 1128 | 1128 | 1128 |
| F | Dump height * | mm | 2470 | 2377 | 2495 |
| G | Dump angle | ° | 40 | 52 | 40 |
| H | Dump reach @ max height | mm | 542 | 783 | 517 |
| I | Rollback angle (bucket on ground) | ° | 32 | 35 | 31 |

* With D&F Bucket

MANY ATTACHMENTS MEAN MANY BUSINESS OPPORTUNITIES



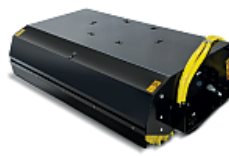
BUCKETS

Tailor made bucket for a wide range of applications



PLANERS

Wide offering of asphalt planers



BROOM BUCKET

Efficient surfaces sweeping



HAMMERS

For concrete demolition, Trenching and general excavation work



AUGERS

For easy boring of holes in the ground

Check complete list of available attachments on the Parts & Service attachments catalogue

