

SKID STEER LOADERS SPEC SHEET



PERFORMANCE SPECS

	SR220	SV250	SR250	SV300
Rated operating capacity (50 %) (kg)	1000	1135	1135	1360
ROC with counterweights (50 %) (kg)	1090	1225	1225	1450
Tipping load (kg)	1996	2268	2268	2722
Lift cylinder breakout force (kN)	27.2	22.6	27.2	22.6
Bucket cylinder breakout force (kN)		38.2		
Boom geometry	Radial	Vertical	Radial	Vertical

ENGINE

Engine model		FPT F5C		
Emission level		Tier 3		
Displacement (l)		3.2		
Horsepower (hp)	82	82	90	90
(@ rpm)	2500	2500	2500	2500
Peak torque (Nm)	305	305	340	340
(@ rpm)	1400	1400	1400	1400
Aspiration type		Turbo		

TRAVEL SPEED

Low range (km/h)		12.1
High range (optional) (km/h)		18.5

HYDRAULIC SYSTEM

Pump flow (lpm)		85
Optional high flow (lpm)		131
Relief pressure (bar)		207

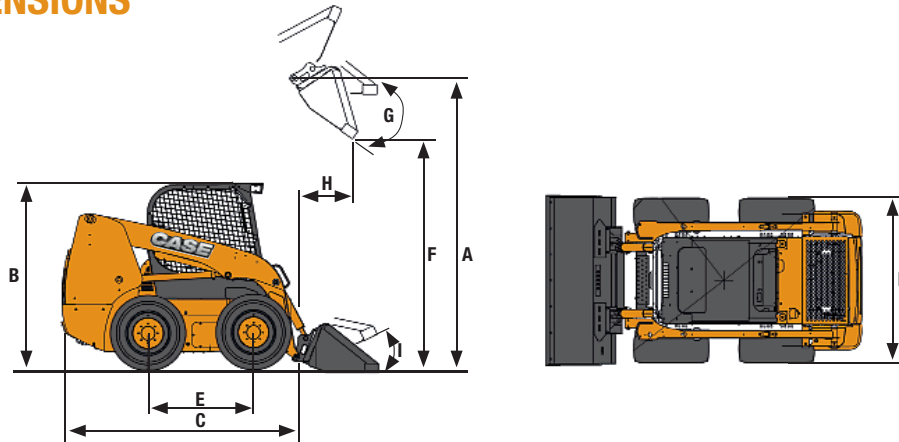
WEIGHTS

Operating weight (kg)	3350	3630	3490	3765
Shipping weight (kg)	3200	3475	3340	3610

SERVICE CAPACITY

Fuel tank (l)		96.5 l
---------------	--	--------

GENERAL DIMENSIONS



		SR220	SV250	SR250	SV300	
A	Height to bucket hinge pin	mm	3175	3302	3175	3302
B	Height to top of ROPS	mm	2002	2002	2002	2002
C	Length without attachment	mm	2981	2990	2981	2990
D	Overall width	mm	1768	1768	1768	1768
E	Wheelbase	mm	1322	1322	1322	1322
F	Dump height *	mm	2558	2615	2558	2615
G	Dump angle	°	38	54	38	54
H	Dump reach @ max height	mm	495	744	575	744
I	Rollback angle (bucket on ground)	°	31	35	31	35

* With D&F Bucket

MANY ATTACHMENTS MEAN MANY BUSINESS OPPORTUNITIES



BUCKETS	PLANERS	WHEEL EXCAVATORS	BROOM BUCKETS	HAMMERS	AUGERS
Tailor made bucket for a wide range of applications	Wide offering of asphalt planers	For trenching jobs in areas where movement is restricted	Efficient surfaces sweeping	For concrete demolition, trenching and general excavation work	For easy boring of holes in the ground

Check complete list of available attachments on the Parts & Service attachments catalogue

