

BACKHOE LOADER

CASE

CONSTRUCTION

SINCE 1842.

580N SERIES 2 HD 580N SERIES 2 580N SERIES 2 LOADER VERSION

ENGINE

Brand	CNH
Model	S8000
Type	4-stroke, diesel turbocharged, Tier 3 certified
Cylinders	4
Bore/Stroke	104 x 115 mm (4,09" x 4,52")
Displacement	3.9 L (238 pol. ³)
Fuel injection	Direct
Fuel	Diesel
Fuel filter	With water separator in line
Air intake	Cross flow
Cooling system	Liquid
Automatic fan belt tensioner	
Integrated engine oil cooling system	
Venturi type system in the engine air intake line	
Radiator with expansion tank	
Muffler with anti-spark device	
Cold Start auxiliary device (optional)	
Maximum lubrication angle (forward and backward)	35°
Maximum lubrication angle (side)	35°
Engine speeds	
Rated	full load 2.450 rpm
Low	idle speed 950 ± 50 rpm
High	no load 2.380 ± 50 rpm
Power	At 2.200 rpm
Gross (ISO14396)	96 hp (72 kW)
Net (SAE J1349)	94 hp (70 kW)
Maximum torque	at 1.300 rpm
Gross (ISO14396)	420 Nm (310 kgf.m)
Net (SAE J1349)	366 Nm (37.3 kgf.m)
Overtorque	36% (± 5%)

NOTE: Gross power and torques according to SAE J1995/ISO 14396 standard; and net power and torques according to SAE J1349 standard.

TRANSMISSION

Powershuttle, fully synchronized, 4 forward speeds and 4 reverse speeds		
Traction 4x4	Planetary drive over hydraulic pressure, switch located in the panel	
Hydraulic inversion clutch with powered forward and reverse gear shift		
Transmission declutch switches "Declutch", one in the gear shift lever and other in the loader control lever		
Ratios	Forward	Reverse
1st	5.603	4.643
2nd	3.481	2.884
3rd	1.584	1.313
4th	0.793	0.657
Torque converter		Ratio 3.2
Maximum lubrication angle (forward and backward)	35°	
Maximum lubrication angle (side)	30° (side)	

ELECTRICAL SYSTEM

Voltage	12 volts , negative grounding	
Alternator	120 A	
Battery	100 Ah, 750 A	

HYDRAULIC SYSTEM

Hydraulic implement pump	
Gear pump, installed at the transmission power take-off (PTO)	
Flow at 2,200 rpm	121 l/min @ 231 bar
Loader control valve	
Monoblock, 2 (Standard) or 3 spools, with single control lever for hydraulic lifting, tilting and auxiliary devices, positive floating and return-to-dig system	
Excavator control valve (available on 580N series 2 HD and 580N series 2 versions)	
Monoblock, 6 (standard), 7 or 8 spools, open center parallel circuits with regeneration	
Main relief pressure	231 +/-3.5 bar
Filters	
Replaceable 7µm filter element located in the return line, with saturated filter indicator light	
Hydraulic oil cooler	
For heavy duty work (high performance)	
Adjustable unidirectional hydraulic auxiliary outlet (optional):	
	60.6 to 121 l/min
Bidirectional hydraulic auxiliary outlet (optional):	
	121 l/min at 231 +/- 3.5 bar

ENGINE COOLING

Radiator	
Core type	Square wave
Core front area	3,145 cm ²
Pipe rows	5
Fan	
Suction type, 9 blades, viscous	
Diameter	500 mm
Ratio	1,1:1
Water pump	
Type	Integral
Lubricant oil pump	With pressurized nozzles under the pistons

AXLES AND BRAKES

Electro-hydraulic differential lock
Hydraulic actuated with on-the-go push-button activation

4x4 Front Axle	
Standard (only available on version 580N series 2)	
HD (available on all versions)	Standard / HD
Relação do diferencial	2,0 / 2,385
Relação do cubo planetário	6,0 / 6,0
Relação de redução total	12,0 / 14,3
Maximum static load capacity	
4x4 HD	29.308 kg
4X4 Standard	30.791 kg
Operating static load capacity	
4x4 HD	7.136 kg
4X4 Standard	8.604 kg

4x4 Front Axle	
Maximum lubrication angle	35° (forward and backward)
Maximum lubrication angle	30° (side)

Rear axle	
Differential ratio	2.5
Planetary hub ratio	6.4
Total reduction ratio	16.0
Maximum static load capacity	40.889 kg
Operating static load capacity	10,197 kg
Maximum lubrication angle	35° (forward and backward)
Maximum lubrication angle	30° (side)

Service brake
Two self-adjusting discs in oil bath in each side, hydraulically actuated, external mounting

Disc area	619 cm ²
Total braking area	2,477 cm ²

Parking brake
Mounted in the transmission, spring actuated and hydraulically released (SAHR), actuated by a switch in the panel

Travel speed – km/h				
	1st	2nd	3rd	4th
Forward	6.1	9.7	21.4	42.8
Backward	7.3	11.8	25.8	51.6*

CAPACITIES

Fuel tank	163 l
Engine Oil with filter	9.1 l
Hydraulic system	
Total with standard ground engaging arm	106 l
Total with Extendahoe arm	111,7 l
Reservoir with filter	55 l
Reservoir without filter	53 l
Engine cooling system	
Without cab heater	17.3 l
With cab heater	18 l
Transmission	
4 x 4 – Total system Powershuttle	19,9 l
4x4 Front Axle	
Standard (only available on version 580N series 2)	
HD (available on all versions)	Standard / HD
Differential	7,7 l / 7,7 l
Planetaries (each)	0,7 l / 1,0 l
Rear axle	
Differential and planetaries	13.6 l
Brake fluid – the same oil from the transmission system	
Front glass wiper reservoir	2.8 l

LOADER

Lifting, tilting, control floating and return-to-dig functions in a single lever

Automatic leveling
Bucket leveling indicator
Parallel kinematic
2 parallel tilting cylinders
Open center hydraulic system
Transmission declutch switch in the loader switch lever and in the gear shift lever
Auxiliary hydraulic outlet for front accessories (on demand)
Ride Control (optional)

EXCAVATOR

Negative retraction angle	
Open center hydraulic system	
Maximum slewing torque	22,258 Nm (2,269.7 kgf.m)
Control with 3 control levers and slewing pedal	
Control with 2 control levers (optional)	
Extendahoe arm (optional only on 2-lever and 3-lever mechanical controls)	
Pilot Control (optional on 580N series 2 HD version only)	
Auxiliary hydraulic outlet for accessories uni or bidirectional rear (on demand)	
Slewing damping Pro Control system (580N series2 HD version only)	
Stabilizers	
Wing type with steel pad	
Wing type with reversible pads – steel/rubber (optional)	

OPERATIONAL WEIGHT

Configuration 1

Unit equipped with 4x4 traction, HD 4x4 front axle, ROPS/FOPS closed cab with air conditioner, pneumatics suspension seat, 93" loader bucket for general purpose with bolt-on teeth, 30" HD excavator bucket, Tier 3 turbocharged engine, 12,5x18 front tires, 19,5x24 rear tires, standard ground engaging arm, 12V battery, LED light pack with 10 headlamps, 187 kg counterweight (400lb) and full fuel reservoir:

7.488 kg

Component Weights:

93" 4 in 1 front bucket with bolt-on blade	791 kg
93" front bucket with bolt-on blade	561 kg
85" front bucket with bolt-on teeth	385 kg
93" front bucket with bolt-on teeth	551 kg
24" HD rear bucket with bolt-on teeth	193,5 kg
30" HD rear bucket with bolt-on teeth	222 kg
Closed cab (in addition to the open cab)	503 kg
Standard Counterweight (available on 580N series2 HD and 580N series2 versions only)	187 kg (412 lb)
Counterweight for extendahoe arm (available on 580N series2 HD and 580N series2 versions only)	317,5 kg (700 lb)
Extendahoe arm (in addition to standard arm)	129 kg
Cardan shaft protection (580N series2 HD and 580N series2 Loader Version only)	128 kg
4x4 Standard front axle (only available in version 580N series2)	269 kg
4x4 Front Axle HD	373 kg

BUCKET – LOADER

Width	Type	Struck capacity	Heaped capacity	Weight
2,159 mm (85')	General purpose – weld-on teeth holder, pin-on teeth	0.73 m ³	0.85 m ³	385 kg
2,083 (93')	4 in 1, with bolt-on cutting blade	0.82 m ³	1.00 m ³	791 kg
2,392 mm (93')	General purpose – with bolt-on blade (interchangeable with bolt-on teeth)	0.82 m ³	1.00 m ³	561 kg
2,382 mm (93')	General purpose – with bolt-on teeth (interchangeable with bolt-on blade)	0.82 m ³	1.00 m ³	551 kg

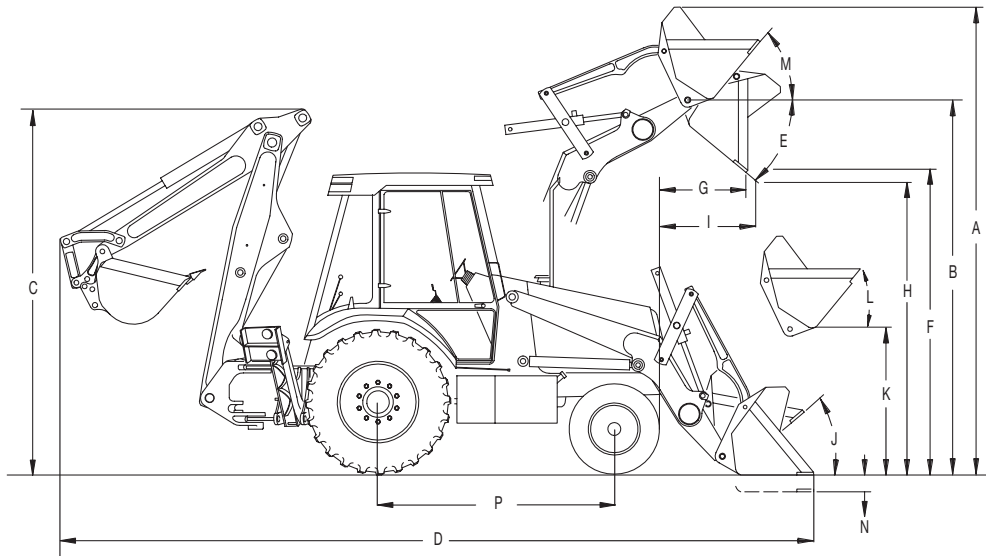
BUCKET – EXCAVATOR

Width	Type	Heaped capacity	Weight
610 mm (24')	Universal HD (heavy-duty)	0.22 m ³	193.5 kg
762 mm (30')	Universal HD (heavy-duty)	0.29 m ³	226 kg

EXCAVATOR LIFTING CAPACITY

LIFTING WITH DIGGING ARM WIDE OPEN	STANDARD (KG)	EXTENDAHOE (KG)	
		Retracted arm	Extended arm
+ 4,876 mm (16')	-	-	768
+ 4,270 mm (14')	1,121	1,030	897
+ 3,660 mm (12')	1,296	1,199	964
+ 3,050 mm (10')	1,345	1,246	985
+ 2,440 mm (8')	1,353	1,252	984
+ 1,830 mm (6')	1,344	1,242	985
+ 1,220 mm (4')	1,329	1,225	982
+ 610 mm (2')	1,312	1,207	977
Ground level	1,297	1,191	977
- 610 mm (2')	1,285	1,178	973
- 1,220 mm (4')	1,282	1,174	972
- 1,830 mm (6')	1,294	1,183	977
- 2,440 mm (8')	1,338	1,224	993
- 3,050 mm (10')	1,506	1,385	1,030
- 3,660 mm (12')	-	-	1,102
- 4,270 mm (14')	-	-	1,413
Lifting the digging arm (boom positioned at 65°)			
+ 4,270 mm (14')	-	-	1,431
+ 3,660 mm (12')	1,877	1,877	1,352
+ 3,050 mm (10')	1,735	1,735	1,281
+ 2,440 mm (8')	1,774	1,774	1,295
+ 1,830 mm (6')	1,976	1,976	1,365
+ 1,220 mm (4')	2,348	2,348	1,337
+ 610 mm (2')	-	-	1,581

DIMENSIONS



4x4 Traction with 19.5x24 rear tires and 93" general purpose front bucket.

*Standard 4x4 front axle with 12x16.5 tires. **Standard 4x4 front axle HD with 12.5/80x18 tires.

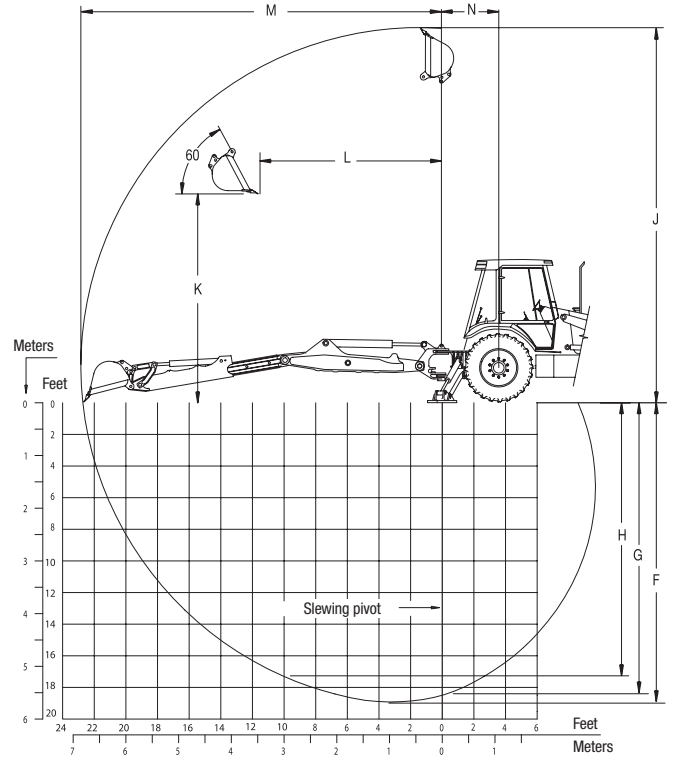
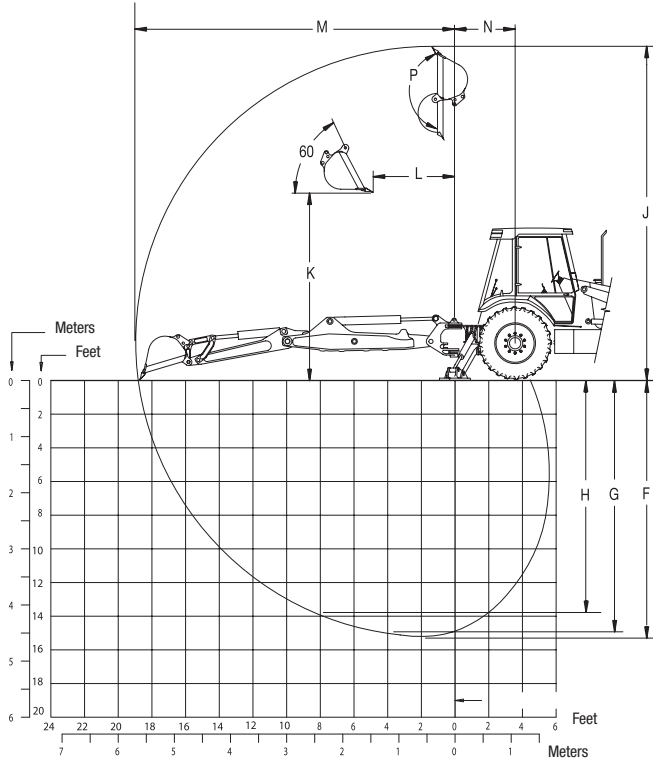
A. Operation height with front bucket fully lifted	4,183 mm* / 4,269 mm**
B. Height up to hinge pin with front bucket fully lifted	3,417 mm* / 3,503 mm**
C. Maximum transportation height	
With standard ground engaging arm	3,368 mm*
With Extindahoe ground engaging arm	3,537 mm*
D. Total length with front bucket on the ground	
With standard ground engaging arm	7,119 mm*
E. Maximum dump angle at maximum height	47°*
F. Maximum dump height with tilting angle at 45°	2,690 mm* / 2,776 mm**
G. Dump reach at maximum height with tilting angle at 45°, measured from the bumper	801 mm*
H. Maximum dump height	2,690 mm* / 2,776 mm**
I. Maximum dump reach angle at maximum height	801 mm*
J. Bucket closing angle at ground level	42°*
K. Height up to the front bucket hinge pin at transport position (43.4°, according to SAE J49)	345 mm* / 431 mm**
L. Transport angle (according to SAE J49)	42°*
M. Front bucket closing angle at maximum height	Adjustable
N. Digging depth below ground level with front bucket leveled	194 mm* / 108 mm**
P. Wheelbase	2,146 mm
Total transport width (measured at rear tires)	2,077 mm
Ground clearance up to front axle differential (4x4)	253 mm* / 339 mm**
Ground clearance up to the slewing tower	380 mm* / 294 mm**
Ground clearance, cardan shaft protection	267 mm* / 353 mm**
Height up to the canopy top ROPS/FOPS	2,663 mm
Height up to the closed cab ROPS/FOPS	2,717 mm
Height up to the exhaust pipe	2,623 mm
Loader lifting capacity up to maximum height (horizontal level)	30.26 kN (3,086 kgf)
Loader breakout power – dumping cylinder	47.25 kN (4,818 kgf)

DIMENSIONS

4x4 Traction with 19.5x24 rear tires and 30" HD rear bucket.

*4x4 Standard front axle with 12x16.5 tires.

**4x4 HD front axle with 12.5/80x18 tires.



	Standard	Extendahoe Retracted	Extendahoe Extended
F. Maximum digging depth	4,507.7 mm	4,507.7 mm	5,625.1 mm
G. Digging depth – flat bottom (2')	4,533.8 mm	4,533.8 mm	5,593.5 mm
H. Digging depth – flat bottom (8')	4,239.9 mm	4,239.9 mm	5,364.0 mm
J. Rear bucket maximum height	6,070.5 mm	6,070.5 mm	7,067.4 mm
K. Load height	3,595.1 mm	3,595.1 mm	4,341.4 mm
L. Load reach	1,263.0 mm	1,263.0 mm	2,026.6 mm
M. Load reach from the slewing center	5,709.5 mm	5,709.5 mm	6,740.3 mm
N. Distance from slewing center and rear axle	1,115.1 mm	1,115.1 mm	1,115.1 mm
P. Bucket rotation	198.0°	198.0°	198.0°
Rear arm total slewing angle	180°	180°	180°
Rear bucket digging power	50.4 kN (5,141 kgf)	50.4 kN (5,141 kgf)	50.4 kN (5,141 kgf)
Ground engaging tool digging power	29.5 kN (3,007 kgf)	29.5 kN (3,007 kgf)	21.7 kN (2,217 kgf)

CYLINDERS

	Cylinder diameter	Rod diameter	Stroke
Loader			
Lifting (2)	82.6 mm	44.5 mm	733.0 mm
Bucket (2)	76.2 mm	38.1 mm	516.5 mm
Bucket 4 in 1 (2)	76.2 mm	44.5 mm	230.6 mm
Excavator			
Lifting arm	114.3 mm	57.2 mm	971.6 mm
Digging arm	108 mm	57.2 mm	628.5 mm
Bucket	82.6 mm	57.2 mm	897.9 mm
Extendahoe	76.2 mm	44.5 mm	1,068 mm
Slewing (2)	95.3 mm	50.8 mm	282 mm
Stabilizers (2)	108.0 mm	57.2 mm	542.9 mm
Direction			
4x4	63.0 mm	36.0 mm	154.0 mm

CYCLE TIMES

	Operation Time (seconds)
wheel loader	
Raise arm	3.5
Lower arm	2.7
Open bucket	0.8
Close bucket	2,4
Bulldozer	
Raise Spear	2,4
Lower boom	1.7
Raise arm	1.9
Lower arm	2,4
Open bucket	1,3
Close bucket	2.1
Rotation (180° rotation)	2,8
Lower stabilizers (2)	4.4
Raise stabilizers (2)	4.0

OTHERS

Tilting engine hood – easy maintenance access	
Rubber front bumpers	
Counterweight (available for 580N series 2 HD and 580N series 2 versions)	187 kg
Counterweight (available for 580N series 2 HD and 580N series 2 versions)	317.5 kg
Pro Control - Excavator slewing damping system (580N series2 HD version only)	
Extendahoe – Extendable excavator arm (available for 580N series 2 HD and 580N series 2 versions)	
Uni and bidirectional hydraulic assistant (available for 2-lever or 3-lever mechanical rear controls)	
Stabilizers with reversible pads (optional)	
Turbocharged engine with Tier III certificate (standard item)	

Cardan axle and engine crankcase protection (available in 580N series 2 HD and 580N series 2 Loader Version)

Ride Control – load damping system (available in 580N series2 HD and 580N series2 Loader Version)

Note: all specifications according to recommended practices or SAE standard, if applicable.

580N LOADER VERSION

Based on 580N backhoe loader without rear implement.

Available for 4x4 traction with open or closed cab with air conditioner.

Engine, transmission, axles, tires and wheels, hydraulic system, electrical system, brakes and operator area similar to 580N backhoe loader.

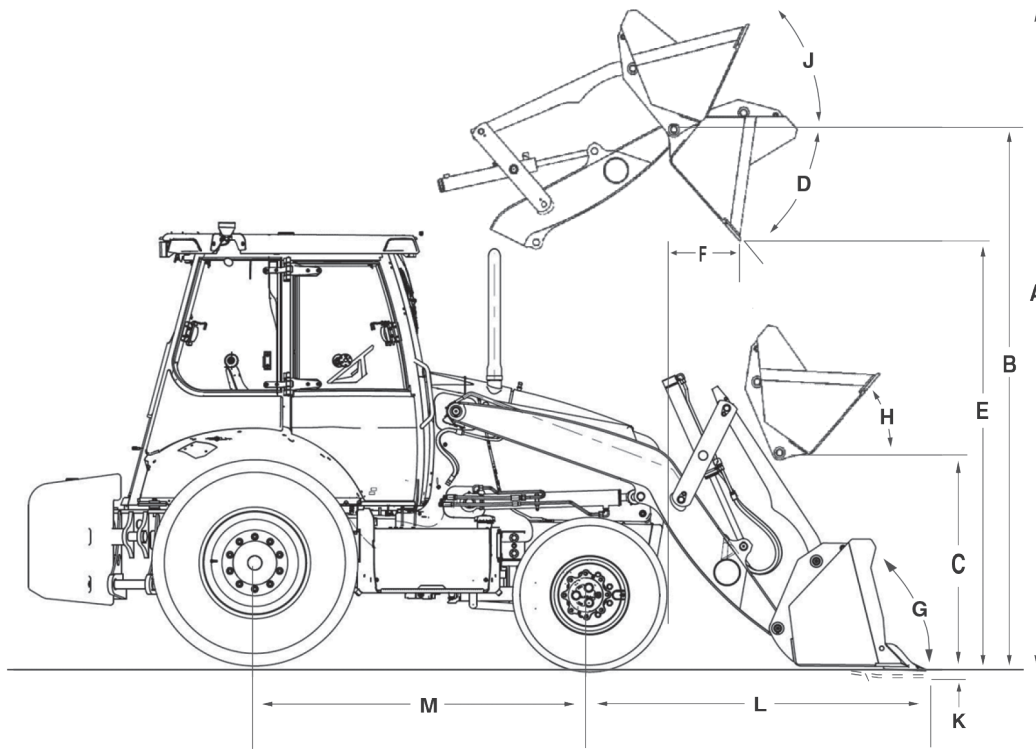
Loader performance data similar to 580N backhoe loader.

Items not included in loader version:

Boom, arm, rear bucket, arms and stabilizers pads, cylinders for boom, arm, rear bucket, stabilizers and slewing, excavator controls, excavator control valve, front counterweight, hoses, excavator tubes and connections and others.

Exclusive items for the loader version:

1,785 kg rear counterweight and fastening loader version mat



4x4 Traction with 19.5x24 rear tires and 93" general purpose front bucket. *4x4 Standard front axle with 12x16.5 tires.
 **4x4 HD front axle with 12.5/80x18 tires.

LOADER DIMENSIONS

A. Operation height with front bucket fully lifted	4,183 mm* / 4,269 mm**
B. Height up to hinge pin with front bucket fully lifted	3,417 mm* / 3,503 mm**
C. Height up to the front bucket hinge pin at transport position (43.4°, according to SAE J49 standard)	345 mm* / 431 mm**
D. Maximum dump angle at maximum height	47°*
E. Maximum dump height with tilting angle at 45°	2,690 mm* / 2,776 mm**
F. Dump reach at maximum height with tilting angle at 45°, measured from the bumper	801 mm*
G. Bucket closing angle at ground level	42°*
H. Transport angle (according to SAE J49 standard)	42°*
J. Front bucket closing angle at maximum height	Adjustable
K. Digging depth below ground level with front bucket leveled	194 mm* / 108 mm**
L. Reach from the front axle center – bucket on the ground	2,080 mm
Loader lifting capacity up to maximum height (horizontal level)	30.3 kN (3,086 kgf)
Loader breakout power – dumping cylinder	47.25 kN (4,818 kgf)
M. Wheelbase	2,146 mm

OPERATOR AREA

ROPS/FOPS Open cab
Start-up using key
Hydrostatic Steering
Vinyl seat with suspension, armrest and 180° rotation
Loader switch lever with differential block actuation switch and transmission declutch
Excavator with 2 lever control
Inside rear-view mirror (90 x 275 mm)
Sliding seat belt - 50.8 mm (2")
Cup-holder and stowage compartment
Anti-vandalism side panel lid
Rubber mat
Front glass wiper and washer:
Lighting package with 4 halogen headlamps:
2 front work lights
2 rear working lights
2 front direction and emergency indicators - amber
2 rear direction and emergency indicators - amber
2 position and brake taillights - red

ROPS/FOPS Closed cab
Fabric seat with mechanical suspension (on 580N series2 version), pneumatic suspension (on 580N series2 HD and 580N series2 Loader version),
adjustable armrest and 180° rotation
Clothes hook
Steering column fixed (on 580N series2 version) or tiltable (on 580N series2 HD and 580N series2 Loader version)
Roof lamp actuated at the door or on the switch
Radio ready
Rear side windows with total opening feature and latch
Lighting package with 6 headlights:
2 front, 2 rear and 2 side lights
2 outlets of 15 A on the right panel
Footrest (only with Pilot Control)
Outside mirrors (on version 580N series2 HD)

OPERATOR AREA (OPTIONAL)

ROPS/FOPS Open cab Backhoe loader with Pilot Control (580N series2 HD version only)
External rear view mirrors (optional available also for 580N series2 and 580N series2 Loader Version)
Lighting package with:
+ 8 halogen headlights
+ 4 LED headlights
+ 8 LED headlights
Excavator motion and slewing control with three levers

ROPS/FOPS Closed cab
Pilot Control (580N series2 HD version only)
External rear view mirrors
Armrest and 180° rotation
AM/FM radio, stereo, MP3
Excavator motion and slewing control with two levers
Backhoe loader with Pilot Control (580N series2 HD version only)
Lighting package with:
10 halogen headlights
06 LED headlights
10 LED headlights

NOTE: Anti-vandalism side panel lid not available for closed cab version.

INSTRUMENTS

Analogue indicator with backlight:
Engine water temperature
Converter oil temperature
Fuel level
Voltmeter (battery load)
Tachometer (rpm)
Hour meter

Warning light:

Air Filter obstruction
Alternator
Air conditioner - high or low pressure
Water indicator in fuel separator filter
Engine Oil pressure
Hydraulic oil filter obstruction
Parking brake actuated
Low fuel level

Audible alarms:

Engine coolant temperature
Engine Oil pressure
Converter oil temperature above 116 °C

Parking brake actuated
Reverse alarm
Double actuation horn (front and rear)

TELEMETRY

(Available for 580N series2 HD, 580N series2 and 580N series2 Loader Version)
modem and antenna
Access to the Customer Portal for 2 years (with the possibility of renewal after 2 years)
Reported information:
- Location
- hour meter
- Maintenance Alerts
- Key Position (off, instruments only, on)

TYRES AND WHEELS

Rear
16.9L x 24, 10 lining - 15" Rim - One piece
17.5 x 25, 12 lining - 14" Rim - One piece
17.5 x 25, 16 lining - 14" Rim - Three pieces
19.5L x 24, 12 lining - 16" Rim - One piece

4 x 4

Front
12 x 16.5, 10 or 12 plies - 9.75" rim - Single piece*
12.5/80x18, 10 or 12 plies - 9" Rim - Single piece**

Rear
16.9L x 24, 10 lining - 15" Rim - One piece
17.5 x 25, 12 lining - 14" Rim - One piece
17.5 x 25, 16 lining - 14" Rim - Three pieces
19.5L x 24, 12 lining - 16" Rim - One piece

*Only available for Standard front axle

** Only available for HD front axle

SLEWING RADIUS

4x4 - traction applied	12 x 16.5 / 12.5 x 18
Brakes applied	3,800 / 4,350 mm
Brakes not applied	4,250 / 4,500 mm
4x4 - traction not applied	12 x 16.5 / 12.5 x 18
Brakes applied	3,450 / 3,850 mm
Brakes not applied	3,825 / 4,000 mm



CASE is entitled to make improvements and changes to these specifications at any time, with no obligation to install such improvements in units previously sold. Specifications, descriptions and illustrations herein accurately represent the data available at the time of this publication, however, they may vary according to the region and are subject to modifications without previous notice. Illustrations may include optional items and accessories and may not include all standard equipment.

CCEIO161 - 08/2023

CaseCE.com



Plants

Contagem - Minas Gerais - Brasil
Av. General David Sarnoff, 2.237
Inconfidentes - CEP 32210-900
Phone: +55 31 2104-3392

Sorocaba - São Paulo - Brasil
Av. Jerome Case, 1.801
Eden - CEP 18087-220
Phone: +55 15 3334-1700