

VIBRATORY ROLLER WITH TIER III CERTIFICATION

ENGINE

Manufacturer	Cummins BTAA 3.3-C80
Type	CerTier III Certification Turbocharged / Charge air-cooled
Rated power	80 hp (60 kW) at 2100 rpm
Fuel consumption	3.5 L/hr (0.9 gal/hr)

ELECTRICAL SYSTEM

Voltage	12 volts
Batteries	1 x 12 V
A/h	100
Cold starting	640

STEERING

Type	Gear pump
Cylinders	1
Steering angle (+/-)	34°
Swing (+/-)	8°
Inside turning radius	4.6 m (15.1')
Crab mode (+/-)	180 mm (7")

WEIGHT

Operating weigh	7,360 kg (16,226 lb)
Weight the front drum	3,750 kg (8,267 lb)
Weight the rear drum	3,610 kg (7,959 lbs)
Front drum linear load	25.9 kg/cm (145 lb/in)
Rear drum linear load	24.9 kg/cm (139 lb/in)

The drums have chamfered edges

TRANSMISSION

Hydrostatic	
Axial piston drive pump for variable displacement of the drum	1
Hydraulic drive motors for fixed displacement of the drum	2
Engine brake	hydrostatic
Emergency brake	multi-disc
Park brake	multi-disc
Maximum working speed	11.4 km/h (7.1 mph)
Maximum ground speed	11.4 km/h (7.1 mph)
Gradeability (with vibration on)	20°
Gradeability (with vibration off)	30°
Distance from the guide to the floor	755 mm (29.8 pulg)

VIBRATION

Type of hydraulic circuit	Closed
Pump type	gear
Fixed displacement hydraulic motor	2
Vibration	Eccentric
Frequency –	
Low	43 Hz (2,580 vpm)
High	52 Hz (3,120 vpm)
Range –	
Low	0.33 mm (0.013")
High	0.60 mm (0.024")
Centrifugal force –	
Low	48 kN (12,365 lb.f)
High	65 kN 14,613 lb.f)

VIBRATION ISOLATION MOUNTS

Number of isolates	
Left front (drive side of the motor)	6
Right front (vibration side of the motor)	4
Right rear (drive side of the motor)	4
Left front (vibration side of the motor)	6

IRRIGATION SYSTEM PRESSURIZED

Water front tank	650 L (172 gal)
Water filtration stages	3
Irrigation pumps	2
Tank type	Polyethylene
Water tank level	Indicator LED

CAPACITY

Fuel tank	110 L (29 gal)
Engine oil	6.5 L (1.7 gal)
Hydraulic tank	40 L (10.6 gal)
Vibration system (ea)	1.8 L (0.48 gal)

COMPARTMENT OF OPERATORS

Heavy isolators chassis isolated, handrails, instrument panel with vandal-proof covers, front/rear exceptional visibility. ROPS, speed and direction single lever control, with on / off vibration control, multi-position seat, adjustable steering wheel, dual-mode vibration system, rear-view mirrors (left and right).

MAXIMUM COMPACTED LIFT THICKNESS

Sand / gravel	300 mm (11.8")
Mixed soils	200 mm (7.9")
Asphalt	120 mm (4.7")

STANDARD EQUIPMENT

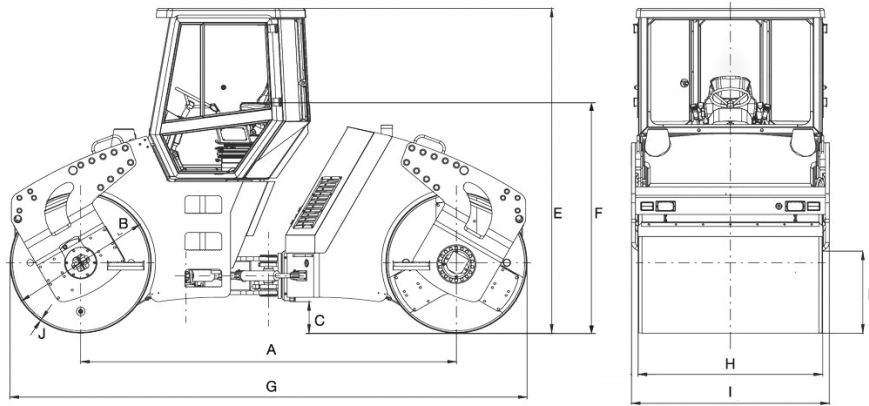
ROPS open platform with fixed handrails Vandalism protection
 4 halogen work lights
 (55 W/front and rear)
 Turning light (left and right)
 Hydrostatic drive of both drums
 Dual vibration
 Front/dual/rear drum vibration control
 Automatic shutdown switch vibration in neutral
 Articulated chassis
 Hydraulic oil cooler
 Reversing alarm
 Retractable seat belt – 51 mm (2")
 Side rotating seat with suspension and folding arms
 Pressurized water system
 Drums with chamfered edges
 Water filtration – 3 stages
 Master switch off

Horn
 Hourmeter
 Emergency stop button
 4 points for lifting predisposing
 Drains of the irrigation system
 Electrical fuse protection
 Steering wheel knob
 Threaded fuel filters, engine oil and hydraulic
 Tool box
 Vertical lift hood
 Indicator lights
 Battery
 Engine oil pressure
 Admission preheater
 Engine temperature
 Park brake
 Vibration on/off
 Sprinkler system on/off

OPTIONAL EQUIPMENT

High frequency vibration (48 Hz – 62 Hz)
 Rotating beacon
 Front and rear work lights (assembled on ROPS or cab)
 Cab with heating and air conditioning
 Edge cutting
 Readiness for radio (w/o radio/two speakers and antenna)
 Rocking scrapers

DIMENSIONS



A. Wheelbase	3,260 mm (128.4")
B. Drum diameter	1,150 mm (45.3")
C. Ground clearance	240 mm (9.5")
D. Distance from the guide to the floor	755 mm (29.8")
E. Overall height	2,950 mm (116.1")
F. Seat height	2,300 mm (90.6")
G. Total length	4,410 mm (174")
H. Drum width	1,450 mm (57")
I. Total width	1,540 mm (60.6")
J. Drum thickness	15 mm (0.6")



SiteWatch™

Monitoreo de flota y sistema de gestión de seguimiento por satélite o por teléfono celular.

Case reserves the right to make improvements in the project and changes in specifications at any time without notice and without incurring any obligation to install them on units previously sold. Specifications, descriptions and illustrative materials accurately reflect its contents known at the date of this publication data, but may vary from region to region and are subject to change without notice. Illustrations may include optional equipment and accessories and may not include all standard equipment.

XXX-XXXX-XXX – XX/2016 – Printed in Brazil

www.casece.com.br

Garín Trade Office -

Buenos Aires - Argentina
 Republic
 Calle 28 n° 920
 Panamericana Km 38,5
 Phone: 54 3327-446100

Weston, Florida – USA
 3265 Meridian Pkwy, Suite
 124
 Zip code 33331-3505
 Phone: +19546592414

Factories

Contagem – Minas Gerais – Brazil
 General David Sarnoff, 2.237 -
 Inconfidentes – CEP 32.210-900
 Phone: +55 31 2104-3111

Sorocaba - São Paulo - Brazil
 Jerome Case, 1,801
 Éden - CEP 18087-220
 Phone: +55 15 3334-1700

CNI
 INDUSTRIAL | CAPITAL