

## COMPACTOR ROLLERS WITH TIER III CERTIFICATION

### ENGINE

Manufacturer	Cummins con certificación TIER III
Model	QSB 3.3 C99
Rated power	99 hp (74.5 kW)

### ELECTRICAL SYSTEM

Voltage	24 V
Batteries	2 - 61 A
Alternator	45 A

### STEERING

Gear pump	1
Cylinders	2
Angle (left/right)	36°
Swing angle	12°
Inside turning radius	3.09 m (10.2 ft)
Turning radius – outside	4.68 m (15.3 ft)

### WEIGHT

Operating weight	7,140 kg (15,741 lb)
Max. weight	7,585 kg (16,722 lb)
Drum weight	4,020 kg (8,863 lb)
Static linear load	23.9 kg/cm (134 lb/in)
Ballast	420 kg (926 lb)

### DRIVE

Type of hydraulic circuit	Closed
Axial piston drive pump variable displacement of the wheel	1
Hydraulic drive motors Fixed displacement of the wheel	2
Interlock of the drive motor	Yes
Hydraulic drive motors for variable displacement of the drum	1
Ground speed range A/R	4
Work speeds:	
1st (max.)	2.5 km/h (1.6 mph)
2nd (max.)	3.5 km/h (2.2 mph)
3rd (max.)	4.7 km/h (2.9 mph)
Maximum ground speed	11 km/h (6.8 mph)
Gradeability	50%
Transverse stability (machine straight)	32°

### VIBRACIÓN

Type of hydraulic circuit	Closed
Variable displacement axial piston type pump	1
Fixed displacement hydraulic motor	1
Vibration	2 eccentric weights
Vibration modes	2
Frequency mode 1 –	
Frequency	2,400 vpm (40 Hz)
Nominal amplitude:	86 mm (0.034 pulg)
Centrifugal force	130 kN (29,225 lb)
Lineal dynamic load	765 N/cm (443 lb/pulg)
Frequency mode 2 –	
Frequency	1,800 vpm (30 Hz)
Nominal amplitude:	1.7 mm (0.067 pulg)
Centrifugal force	145 kN (32,597 lb)
Lineal dynamic load	853 N/cm (494 lb/pulg)

### TIRES

Type	14.9 x 24 in 8PR Smooth drum - Diamond tread, Leg of lamb drum - Traction tread
Ballast in tire	Yes

### CAPACITY

Fuel tank	260 l (72.7 gal)
Engine oil	11 l (12 qt)
Engine coolant	19 l (20 qt)
Hydraulic tank	73 l (77 qt)
Transmission	2.5 l (2.6 qt)
Transmission axle	2.5 l (2.6 qt)
Vibration system	6.7 l (7.1 qt)

### CAB

Isolated from the chassis by flexible cushions, handrails, two rear view mirrors, forward lighting, instrument panel with vandal protection, front and rear windshield wiper / washer and aerators. The cab door can be locked in the open position (pneumatic support). Exceptional visibility forward and backward. ROPS

### STANDARD EQUIPMENT

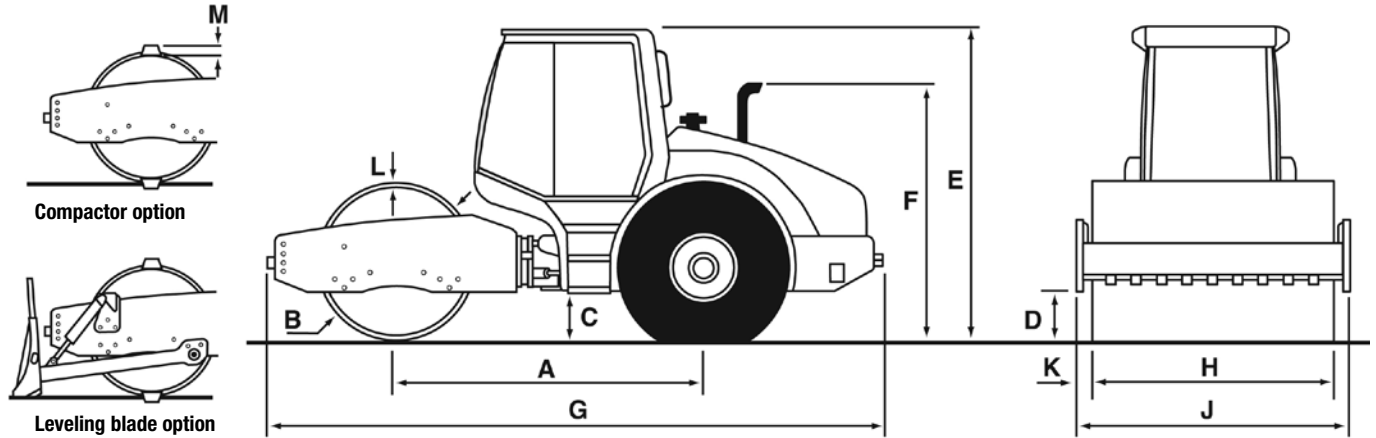
ROPS and FOPS cab
Vandal-proof protection
Hydrostatic drive for drum and wheels
Two vibrations amplitudes
Differential lock between wheels
Articulated chassis
Front and rear towing points
Disposition of 4 points lifting and mooring
14.9 X 24 L3 tires
Electro-hydraulic platform and hood tilt
Fan protector
Alternator protector
Backup alarm
Ballast for tires -25°C (-13°F)
Halogen headlights, 2 front/ 2 rear
Self-vibration control
Centralized diagnostic door
Master switch off
Spring applied hydraulically released parking brake
3 work speed plus transport selection speed
Isolated operator's compartment
Single lever for speed/direction control
Steering wheel fast knob
Vinyl swivel seat, suspension and folding armrests
51 mm (2 in) retractable seatbelt
Lockable toolbox
Cupholders
Horn
Emergency stop button
Anti-skid traction control with components of maximum traction (leg of lamb version)
Threaded fuel filters, engine oil and hydraulic
LCD monitor

## OPTIONAL EQUIPMENT

Operator's cab with heating and ventilation  
 Air conditioning  
 Beacon  
 Leveling plate with adjustable sliding shoes  
 Leg of lamb drum  
 Leg of lamb housing for smooth drum

Compaction indicator  
 Engine speed indicator  
 Air intake precleaner  
 76 mm (3 in) retractable seatbelt  
 Anti-skid traction control  
 with maximum traction components for smooth drum

## DIMENSIONS



A. Wheelbase	2.6 m (101 in)
B. Drum diameter	1.3 m (51 in)
C. Ground clearance	0.38 m (15.2 in)
D. Distance to the curb	0.37 m (14.8 in)
E. Overall height	2.9 m (113 in)
F. Muffler height	2.2 m (87 in)
G. Total length	5.2 m (205 in)
H. Drum width	1.7 m (66 in)
J. Total width	1.88 m (74 in)
K. Frame lengths	0.095 m (3.7 in)
L. Drum thickness	0.025 m (1.0 in)
M. Leg of lamb height	80 mm (3.1")



**SiteWatch™**

Monitoreo de flota y sistema de gestión de seguimiento por satélite o por teléfono celular.

Case reserves the right to make improvements in the project and changes in specifications at any time without notice and without incurring any obligation to install them on units previously sold. Specifications, descriptions and illustrative materials accurately reflect its contents known at the date of this publication data, but may vary from region to region and are subject to change without notice. Illustrations may include optional equipment and accessories and may not include all standard equipment.

XXX-XXXX-XXX – XX/2016 – Printed in Brazil

[www.casece.com.br](http://www.casece.com.br)

**Garín Trade Office -**  
 Buenos Aires - Argentina  
 Republic  
 Calle 28 n° 920  
 Panamericana Km 38,5  
 Phone: 54 3327-446100

Weston, Florida – USA  
 3265 Meridian Pkwy, Suite  
 124  
 Zip code 33331-3505  
 Phone: +19546592414

**Factories**  
 Contagem – Minas Gerais – Brazil  
 General David Sarnoff, 2.237 -  
 Inconfidentes – CEP 32.210-900  
 Phone: +55 31 2104-3111

Sorocaba - São Paulo - Brazil  
 Jerome Case, 1.801  
 Éden - CEP 18087-220  
 Phone: +55 15 3334-1700

**CNI**  
 INDUSTRIAL | CAPITAL