

COMPACTOR ROLLERS WITH TIER III CERTIFICATION

ENGINE

Manufacturer	Cummins with Tier III certification
Model	QSB 3.3 C99
Rated power	99 hp (73.8 kW)

ELECTRICAL SYSTEM

Voltage	24 V
Batteries	2 - 61 A
Alternator	45 A

STEERING

Gear pump	1
Cylinders	2
Angle (left/right)	36°
Swing angle	12°
Inside turning radius	3.09 m (10.2')
Turning radius – outside	4.80 m (15.7')

WEIGHT

Operating weight	8,820 kg (19,445 lb)
Max. weight	9,265 kg (20,426 lb)
Drum weight	5,315 kg (11,718 lb)
Static linear load	31.6 kg/cm (177 lb/in)
Ballast	420 kg (926 lb)

DRIVE

Type of hydraulic circuit	Closed
Axial piston drive pump variable displacement of the wheel	1
Hydraulic drive motors Fixed displacement of the wheel	2
Interlock of the drive motor	Yes
Hydraulic drive motors for variable displacement of the drum	1
Ground speed range A/R	4
Work speeds:	
1 st (max.)	2.5 km/h (1.6 mph)
2 nd (max.)	3.5 km/h (2.2 mph)
3 rd (max.)	4.7 km/h (2.9 mph)
Maximum ground speed	6.8 mph (11 km/h)
Gradeability	55%
Transverse stability (machine straight)	33°

VIBRACIÓN

Type of hydraulic circuit	Closed
Variable displacement axial piston type pump	1
Fixed displacement hydraulic motor	1
Vibration	2 eccentric weights
Vibration modes	2
Frequency mode 1 –	
Frequency	2,400 vpm (40 Hz)
Nominal amplitude:	0.96 mm (0.038 in)
Centrifugal force	145 kN (32,597 lb)
Lineal dynamic load	853 N/cm (494 lb/in)
Frequency mode 2 –	
Frequency	1,800 vpm (30 Hz)
Nominal amplitude:	1.85 mm (0.073 in)
Centrifugal force	160 kN (35,970 lb)
Lineal dynamic load	941 N/cm (545 lb/in)

TIRES

Type	14.9 x 24 in 8PR Smooth drum - Diamond tread, Leg of lamb drum - Traction tread
Ballast in tire	Yes

CAPACITY

Fuel tank	275 l (72.7 gal)
Engine oil	11 l (12 qt)
Engine coolant	19 l (20 qt)
Hydraulic tank	73 l (77 qt)
Transmission	2.5 l (2.6 qt)
Transmission axle	2.5 l (2.6 qt)
Vibration system	6.7 l (7.1 qt)

CAB

Isolated from the chassis by flexible cushions, handrails, two rear view mirrors, forward lighting, instrument panel with vandal protection, front and rear windscreen wiper / washer and aerators. The cab door can be locked in the open position (pneumatic support). Exceptional visibility forward and backward. ROPS

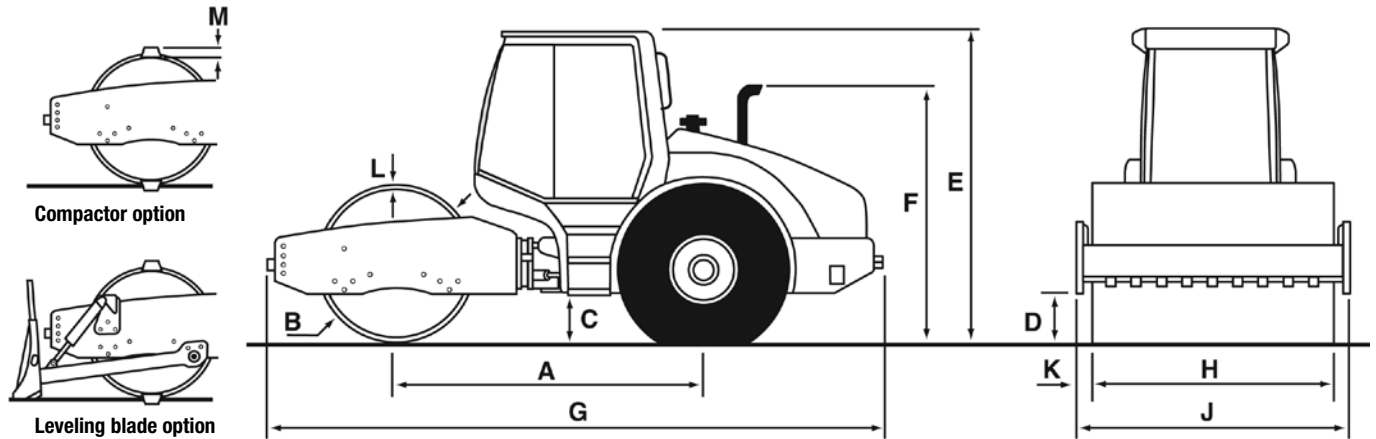
STANDARD EQUIPMENT

Vandal protection ROPS and FOPS cab
Hydrostatic drive for drum and wheels Two ranges of vibration
Differential lock between wheels Articulated chassis
Front and rear towing points Provision of 4 lifting points and fastening 14.9 x 24 8PR tires
Electro-Hydraulic platform and hood tilt Fan protector
Alternator protector Backup alarm
Ballast for tires -25°C (-13°F)
Halogen headlights, 2 front/ 2 rear
Self-vibration control
Centralized gateway for diagnosis Master switch off
Spring applied hydraulically released parking brake
3 work speed plus transport selection speed
Isolated operator's compartment
Lever to control speed / direction Steering wheel turning fast knob
Vinyl swivel seat, suspension and folding armrests
50.8 mm (2") retractable seatbelt
Lockable toolbox
Cupholders
Horn
Emergency stop button
Anti-skid traction control with components of maximum traction (leg of lamb version)
Threaded fuel filters, engine oil and hydraulic
LCD monitor

OPTIONAL EQUIPMENT

Operator's cab with heating and ventilation
Air conditioning
Beacon
Leveling plate with adjustable sliding shoes
Leg of lamb drum
Leg of lamb housing for smooth drum
Compaction indicator
Engine speed indicator
Air intake precleaner
76 mm (3") retractable seatbelt
Anti-skid traction control with maximum traction components for smooth drum

DIMENSIONS



A. Wheelbase	2.6 m (101 in)
B. Drum diameter	1.3 m (51 in)
C. Ground clearance	0.38 m (15.2 in)
D. Distance to the curb	0.37 m (14.8 in)
E. Overall height	2.9 m (113 in)
F. Muffler height	2.2 m (87 in)
G. Total length	5.2 m (205 in)
H. Drum width	1.7 m (66 in)
J. Total width	1.93 m (76 in)
K. Frame lengths	0.12 m (4.7 in)
L. Drum thickness	0.025 m (1.0 in)
M. Leg of lamb height	80 mm (3.1 in)



SiteWatch™

Monitoramiento de flota y sistema de gestión de seguimiento por satélite o por teléfono celular.

Case reserves the right to make improvements in the project and changes in specifications at any time without notice and without incurring any obligation to install them on units previously sold. Specifications, descriptions and illustrative materials accurately reflect its contents known at the date of this publication data, but may vary from region to region and are subject to change without notice. Illustrations may include optional equipment and accessories and may not include all standard equipment.

XXX-XXXX-XXX – XX/2016 – Printed in Brazil

www.casece.com.br

Garin Trade Office -
Buenos Aires - Argentina
Republic
Calle 28 n° 920
Panamericana Km 38,5
Phone: 54 3327-446100

Weston, Florida – USA
3265 Meridian Pkwy, Suite
124
Zip code 33331-3505
Phone: +19546592414

Factories
Contagem – Minas Gerais – Brazil
General David Sarnoff, 2.237 -
Inconfidentes – CEP 32.210-900
Phone: +55 31 2104-3111

Sorocaba - São Paulo - Brazil
Jerome Case, 1.801
Éden - CEP 18087-220
Phone: +55 15 3334-1700

CNI
INDUSTRIAL | CAPITAL