

COMPACTOR ROLLERS WITH TIER III CERTIFICATION

ENGINE

Manufacturer	Cummins with Tier III certification
Type	QSB 4.5
Gross horsepower	148 hp (110 kW)

ELECTRICAL SYSTEM

Voltage	24 V
Batteries	2 - 100 A
Alternator	45 A

STEERING

Gear pump	1
Cylinders	2
Angle (left/right)	36°
Swing angle	10°
Inside turning radius	3.05 m (10.0 ft)
Turning radius – outside	5.37 m (17.6 ft)

WEIGHT

Operating weight	11,515 kg (25,386 lb)
Max. weight	12,715 kg (28,031 lb)
Drum weight	7,380 kg (16,270 lb)
Static linear load	33.5 kg/cm (187 lb/in)
Ballast 1,200 kg (2,646 lb)	

DRIVE

Type of hydraulic circuit	Closed
Axial piston drive pump variable displacement of the wheel	1
Hydraulic drive motors Fixed displacement of the wheel	2
Interlock of the drive motor	Yes
Hydraulic drive motors for variable displacement of the drum	1
Ground speed range A/R	4
Work speeds:	
1 st (max.)	1.5 mph (2.5 km/h)
2 nd (max.)	2.11 mph (3.4 km/h)
3 rd (max.)	3.72 mph (6.0 km/h)
Maximum ground speed	6.6 mph (10.7 km/h)
Gradeability	64%
Transverse stability (machine straight)	36°

VIBRACIÓN

Type of hydraulic circuit	Closed
Variable displacement axial piston type pump	1
Fixed displacement hydraulic motor	1
Vibration	2 eccentric weights
Vibration modes	2
Frequency mode 1 –	
Frequency	2,100 vpm (35 Hz)
Nominal amplitude:	1.15 mm (0.045 in)
Centrifugal force	206 kN (46,294 lb)
Lineal dynamic load	936 N/cm (533 lb/in)
Frequency mode 2 –	
Frequency	1,920 vpm (32 Hz)
Nominal amplitude:	1.85 mm (0.072 in)
Centrifugal force	277 kN (62,250 lb)
Lineal dynamic load	1,259 N/cm (716 lb/in)

TIRES

Type	23.1 x 26 in UK5 Smooth drum - Diamond tread, Leg of lamb drum - Traction tread
Ballast in tire	Yes

CAPACITY

Fuel tank	410 l (108 gal)
Engine oil	16.3 l (17.2 qt)
Engine coolant	25 l (26.4 qt)
Hydraulic tank	90 l (95 qt)
Transmission	4.2 l (4.4 qt)
Transmission axle	2.8 l (2.9 qt)
Vibration system	8 l (8.4 qt)

CAB

Isolated from the chassis by flexible cushions, handrails, two rear view mirrors, forward lighting, instrument panel with vandal protection, front and rear windscreen wiper / washer and aerators. The cab door can be locked in the open position (pneumatic support). Exceptional visibility forward and backward. ROPS

STANDARD EQUIPMENT

ROPS and FOPS cab
Vandal-proof protection
Hydrostatic drive for drum and wheels
Two vibrations amplitudes
Differential lock between wheels
Articulated chassis
Front and rear towing
Disposition of 4 points lifting and mooring
23.1 x 26 10 Diagonal tires
Electro-hydraulic platform and hood tilt
Fan protector
Alternator protector
Backup alarm
Engine speed indicator
Halogen headlights, 2 front/ 2 rear
Self-vibration control
Centralized diagnostic door
Master switch off
Spring applied hydraulically released parking brake
3 work speed plus transport selection speed
Isolated operator's compartment
Single lever for speed/direction control
Steering wheel fast knob
Vinyl swivel seat, suspension and folding armrests
50.8 mm (2 in) retractable seatbelt
Lockable toolbox
Cupholders
Horn
Emergency stop button
Threaded fuel filters, engine oil and hydraulic
LCD monitor

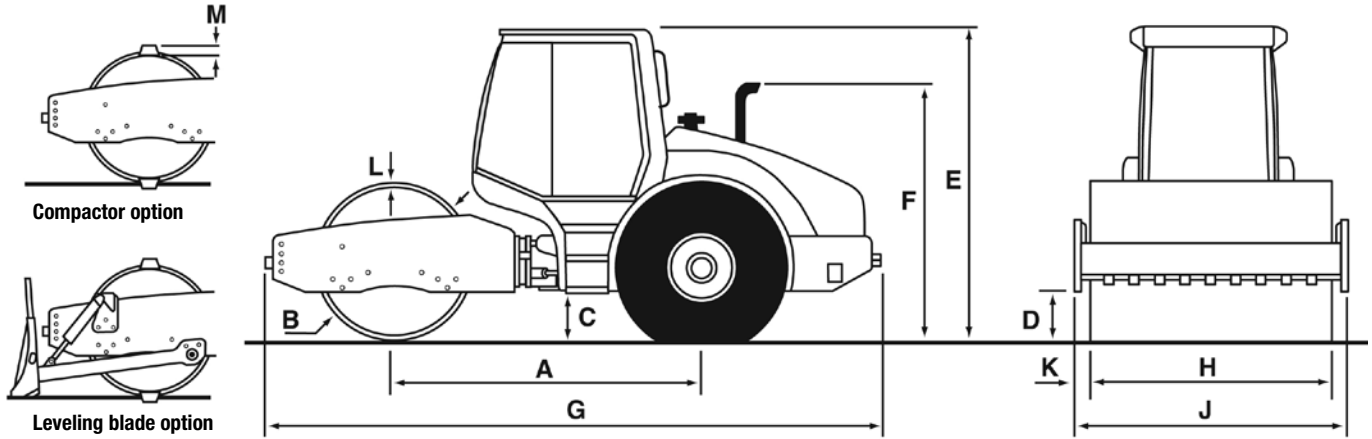
OPTIONAL EQUIPMENT

Operator's cab with heating and ventilation
 Air conditioning
 Beacon
 Leveling plate with adjustable sliding shoes

Leg of lamb drum
 Leg of lamb housing for smooth drum
 Compaction indicator
 Engine speed indicator

Air intake precleaner
 76 mm (3 in) retractable seatbelt
 Anti-skid traction control
 with maximum traction components for smooth drum

DIMENSIONS



A. Wheelbase	2.8 m (111 in)
B. Drum diameter	1.5 m (59 in)
C. Ground clearance	0.42 m (16.5 in)
D. Distance to the curb	0.3 m (17 in)
E. Overall height	3.0 m (119 in)
F. Muffler height	2.5 m (98 in)
G. Total length	5.7 m (224 in)
Overall length w/ leveling plate	6.1 m (240 in)
H. Drum width	2.2 m (87 in)
J. Total width	2.45 m (96 in)
K. Frame lengths	0.11 m (4 in)
L. Drum thickness	0.02 m (0.78 in)
M. Leg of lamb height	100 mm (3.9 in)



SiteWatch™

Monitoreo de flota y sistema de gestión de seguimiento por satélite o por teléfono celular.

Case reserves the right to make improvements in the project and changes in specifications at any time without notice and without incurring any obligation to install them on units previously sold. Specifications, descriptions and illustrative materials accurately reflect its contents known at the date of this publication data, but may vary from region to region and are subject to change without notice. Illustrations may include optional equipment and accessories and may not include all standard equipment.

XXX-XXXX-XXX – XX/2016 – Printed in Brazil

www.casece.com.br

Garín Trade Office -
 Buenos Aires - Argentina
 Republic
 Calle 28 n° 920
 Panamericana Km 38,5
 Phone: 54 3327-446100

Weston, Florida – USA
 3265 Meridian Pkwy, Suite
 124
 Zip code 33331-3505
 Phone: +19546592414

Factories
 Contagem – Minas Gerais – Brazil
 General David Sarnoff, 2.237 -
 Inconfidentes – CEP 32.210-900
 Phone: +55 31 2104-3111

Sorocaba - São Paulo - Brazil
 Jerome Case, 1.801
 Éden - CEP 18087-220
 Phone: +55 15 3334-1700

CNI
 INDUSTRIAL | CAPITAL