

## COMPACTOR ROLLERS WITH TIER III CERTIFICATION

### ENGINE

Manufacturer	Cummins with Tier III certification
Type	QSB 4.5
Gross horsepower	148 hp (110 kW)

### ELECTRICAL SYSTEM

Voltage	24 V
Batteries	2 - 100 A
Alternator	45 A

### STEERING

Gear pump	1
Cylinders	2
Angle (left/right)	36°
Swing angle	10°
Inside turning radius	3.05 m (10.0 ft)
Turning radius – outside	5.37 m (17.6 ft)

### WEIGHT

Operating weight	14,274 kg (31,479 lb)
Max. weight	15,474 kg (34,113 lb)
Drum weight	10,148 kg (22,352 lb)
Static linear load	46.2 kg/cm (257 lb/in)
Ballast 1,200 kg (2,646 lb)	

### DRIVE

Type of hydraulic circuit	Closed
Axial piston drive pump variable displacement of the wheel	1
Hydraulic drive motors Fixed displacement of the wheel	2
Interlock of the drive motor	Yes
Hydraulic drive motors for variable displacement of the drum	1
Ground speed range A/R	4
Work speeds:	
1 <sup>st</sup> (max.)	1.49 mph (2.4 km/h)
2 <sup>nd</sup> (max.)	1.92 mph (3.1 km/h)
3 <sup>rd</sup> (max.)	3.54 mph (5.7 km/h)
Maximum ground speed	6.3 km/h (10.1 mph)
Gradeability	70%
Transverse stability (machine straight)	37°

### VIBRATION

Type of hydraulic circuit	Closed
Variable displacement axial piston type pump	1
Fixed displacement hydraulic motor	1
Vibration	2 eccentric weights
Vibration modes	2
Frequency mode 1 –	
Frequency	2,100 vpm (35 Hz)
Nominal amplitude:	1 mm (0.039 in)
Centrifugal force	237 kN (53,261 lb)
Lineal dynamic load	1,077 N/cm (613 lb/in)
Frequency mode 2 –	
Frequency	1,740 vpm (29 Hz)
Nominal amplitude:	2 mm (0.078 in)
Centrifugal force	325 kN (73,037 lb)
Lineal dynamic load	1,477 N/cm (840 lb/in)

### TIRES

Type	23.1 x 26 in UK5 Smooth drum - Diamond tread, Leg of lamb drum - Traction tread
Ballast in tire	Yes

### CAPACITY

Fuel tank	410 l (108 gal)
Engine oil	16.3 l (17.2 qt)
Engine coolant	25 l (26.4 qt)
Hydraulic tank	90 l (95 qt)
Transmission	4.2 l (4.4 qt)
Transmission axle	2.8 l (2.9 qt)
Vibration system	8 l (8.4 qt)

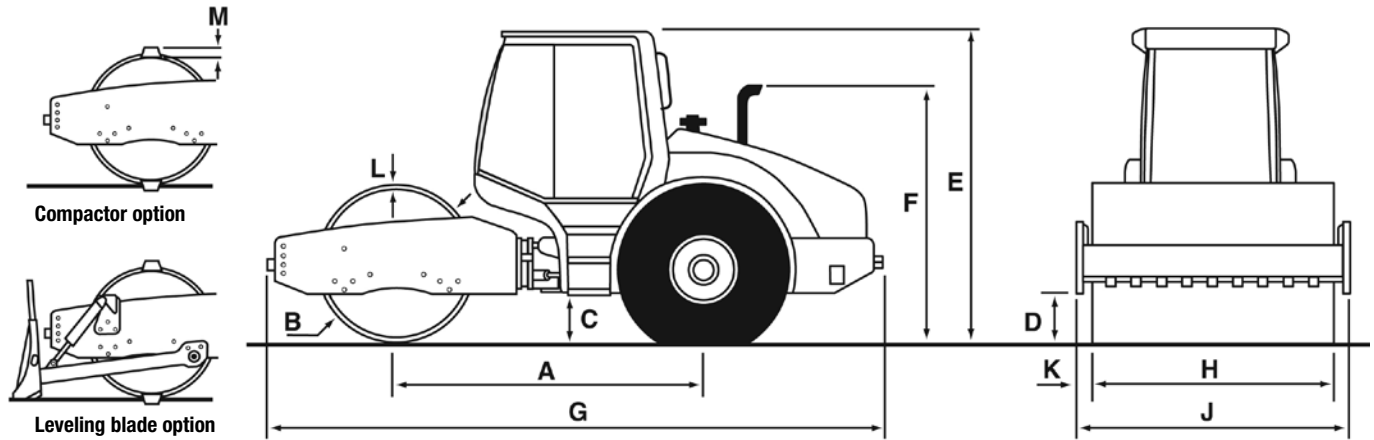
### CAB

Isolated from the chassis by flexible cushions, handrails, two rear view mirrors, forward lighting, instrument panel with vandal protection, front and rear windscreen wiper / washer and aerators. The cab door can be locked in the open position (pneumatic support). Exceptional visibility forward and backward. ROPS

### STANDARD EQUIPMENT

Vandal protection ROPS and FOPS cab
Hydrostatic drive for drum and wheels Two ranges of vibration
Differential lock between wheels Articulated chassis
Front and rear towing points
Provision of 4 points lifting and fastening 23.1 x 26 10 diagonal tires Electro-Hydraulic platform and hood tilt Fan protector
Alternator protector
Backup alarm
Engine speed indicator
Halogen headlights, 2 front/ 2 rear
Self-vibration control
Centralized diagnostic door
Master switch off
Spring applied hydraulically released parking brake
3 work speed plus transport selection speed
Isolated operator's compartment
Single lever for speed/direction control
Steering wheel fast knob
Vinyl swivel seat, suspension and folding armrests
50.8 mm (2") retractable lockable seatbelt
Cupholders
Horn
Emergency stop button
Threaded fuel filters, engine oil and hydraulic
LCD monitor
<b>OPTIONAL EQUIPMENT</b>
Operator's cab with heating and ventilation
Air conditioning
Beacon
Leveling plate with adjustable sliding shoes
Leg of lamb drum
Leg of lamb housing for smooth drum
Compaction indicator
Engine speed indicator
Air intake precleaner
76 mm (3 in) retractable seatbelt
Anti-skid traction control
with maximum traction components for smooth drum

## DIMENSIONS



A. Wheelbase	2.8 m (111 in)
B. Drum diameter	1.5 m (59 in)
C. Ground clearance	0.42 m (16.5 in)
D. Distance to the curb	0.43 m (17 in)
E. Overall height	3.0 m (119 in)
F. Muffler height	2.5 m (98 in)
G. Total length	5.7 m (224 in)
Overall length w/ leveling plate	6.1 m (240 in)
H. Drum width	2.2 m (87 in)
J. Total width	2.5 m (98 in)
K. Frame lengths	0.14 m (5.5 in)
L. Drum thickness	0.04 m (1.57 in)
M. Leg of lamb height	100 mm (3.9 in)



**SiteWatch™**

Monitoramiento de flota y sistema de gestión de seguimiento por satélite o por teléfono celular.

Case reserves the right to make improvements in the project and changes in specifications at any time without notice and without incurring any obligation to install them on units previously sold. Specifications, descriptions and illustrative materials accurately reflect its contents known at the date of this publication data, but may vary from region to region and are subject to change without notice. Illustrations may include optional equipment and accessories and may not include all standard equipment.

XXX-XXXX-XXX – XX/2016 – Printed in Brazil

**[www.casece.com.br](http://www.casece.com.br)**

**Garín Trade Office -**  
Buenos Aires - Argentina  
Republic  
Calle 28 n° 920  
Panamericana Km 38,5  
Phone: 54 3327-446100

Weston, Florida – USA  
3265 Meridian Pkwy, Suite  
124  
Zip code 33331-3505  
Phone: +19546592414

**Factories**  
Contagem – Minas Gerais – Brazil  
General David Sarnoff, 2.237 -  
Inconfidentes – CEP 32.210-900  
Phone: +55 31 2104-3111

Sorocaba - São Paulo - Brazil  
Jerome Case, 1.801  
Éden - CEP 18087-220  
Phone: +55 15 3334-1700

**CNI**  
INDUSTRIAL | CAPITAL