

# CRAWLER DOZER XLT

# CASE

CONSTRUCTION

SINCE 1842.

## 1150L

### ENGINE

Brand	FPT
Model	F4HE9684K*J105
Type	Electronic, diesel, 4-stroke, direct injection, turbocharged, Tier 3 certified
Cylinders	6
Bore and stroke	4.09 x 5.2 in (104 x 132 mm)
Displacement	408.86 in <sup>3</sup> (6,7 l)
Direct injection	Common Rail
Fuel	Diesel
Fuel filter	Screw-on, with screen filter
Cooling System	Liquid
Engine rotations - rpm	
High - neutral without load	2,300 +/- 50
Nominal - full load	2,200
Low idle	1,000 +/- 100
Power @ 2,200 rpm - ISO 14396	
Gross (SAE J1349)	130 hp (97 kW)
Net (SAE J1349)	118 hp (88 kW)
Torque @ 1,400 rpm	
Gross	434.42 lbf.ft (589 Nm)
Net	418.56 lbf.ft (567,5 Nm)
Engine lubrication	"Forced lubrication" with oil jet piston refrigeration system
Operating angle	
Sideways	45°
Longitudinal	45°
Oil filter	Replaceable, screw-on, total flow cartridge
Radiator	
Fins per inch	6
Fan propeller	Belt mechanical drive Diameter 2 ft 2 in (662 mm)

### POWER TRAIN

Hydrostatic system with closed circuit two stage	
Pump	Axial piston and variable flow
Engine	Axial piston and variable displacement
Maximum traction force	48,000 lb (213.5 kN)
Transmission	Commanded by a single electronically controlled lever
Oil filter	Replaceable cartridge with filtering up to 4 micron with a 100 mesh suction screen
Displacement speeds	
Forward	6.0 mph (9,7 km/h)
Reverse	6.0 mph (9,7 km/h)
Parking brake	SAHR (Applied through spring actuation, released hydraulically)
Steering brakes	Hydrostatic
Final command	2 helical gear reductions and a planetary reduction
Reduction ratio	61.4:1
Transmission cooling	
Type	Heat exchanger
Core area	844 in <sup>2</sup> (5,445 cm <sup>2</sup> )

NOTE: Measured using standard track chain. Increases travel speeds by 4% and reduces drawbar pull by 4% with the optional CELT track chain.

### ELECTRIC SYSTEM

Alternator	65 A
Batteries	2x 12V in series, maintenance free 750 CCA @ -0.4°F
Voltage	24 V

### HYDRAULIC SYSTEM

Pump flow @ 2,200 rpm with 2,830 psi (195 bar)	34.9 gpm (132 l/min)
PAT lifting cylinders	2
Diameter of the cylinder	4.25 in (108 mm)
Diameter of the cylinder rod	2 in (50,8 mm)
Stroke	1 ft 6 in (445 mm)
PAT blade angling cylinders	2
Diameter of the cylinder	5 in (127 mm)
Diameter of the cylinder rod	2.5 in (63,5 mm)
Stroke	1 ft 3 in (381 mm)
PAT inclination cylinder	1
Diameter of the cylinder	5 in (127 mm)
Diameter of the cylinder rod	2.5 in (63,5 mm)
Stroke	4.72 in (120 mm)

## OPERATOR COMPARTMENT

### Cab

Closed ROPS/FOPS compartment with air-conditioning  
Single joystick for speed and direction  
Adjustable seat upholstered with cloth and air suspension  
Retractable seatbelt 2 in (50,8 mm)  
Adjustable arm rests  
Two foot rests  
Rear view mirror  
Three windshield wipers  
A dome light  
Connector for accessories 12 V  
Padded roof  
Floor mats

### Warning lights

Air filter  
Alternator  
Failure diagnosis indicator  
Engine cooling fluid temperature  
Engine oil pressure  
Hydraulic filter  
Low fuel  
Emergency brake on  
Maintenance service indicator  
Transmission filter  
Transmission load pressure

### Indicators

Battery voltage  
Fuel level  
Digital hour meter  
Tachometer  
Diagnosis  
Service reminder  
Transmission oil temperature  
Transmission speed indicator  
Cooling fluid temperature

### Audible alarms

Engine cooling fluid temperature  
Engine oil pressure  
Low fuel  
Hydraulic/hydrostatic system oil temperature

## CAPACITIES

Fuel Tank	79 gal 1 qt (300 l)
Engine oil with filter	4 gal 1 qt (16,4 l)
Engine oil without filter	4 gal (15,6 l)
Engine cooling system	8 gal 2 qt (32,5 l)
Hydraulic tank	26 gal (98,4 l)
End reducer on each side	3 gal 3 qt (14,2 l)
Each lower roller	0,48 qt (450 ml)
Each idler	0,49 qt (460 ml)
Each upper roller	0,31 qt (290 ml)

## OPERATING WEIGHT

Unit equipped with a cab, full fuel tank, 170 lb (77 kg) operator, frontal pull hook, track guides, PAT blade. 28,964 lb (13.138 kg)

## VERSION XLT

Extra-long tracks	28.380 lb (12.873 kg)
Weights	
Drawbar	146 lb (66 kg)
Ripper	2,300 lb (1.043 kg)
Roller protection	295 lb (134 kg)

## OTHER SPECIFICATIONS

### UNDERCARRIAGE

Adjustment of tracks	Grease injection
Chassi	Two-tier and manufactured in structural steel
Length of the tracks on the ground	
XLT (Extra-long)	8' 6" (2.590 mm)
Track pitch	
Distance between the shoes	6.9" (175,4 mm)
Grouser height	2,25" (57,2 mm)
Pin diameter	1.44" (36,58 mm)
Bushing diameter	
CLT track (Case Lubrificated Track)	62 mm (2.44")
Number of shoes	43
Rollers	
Lower (each side)	7
Upper (each side)	2
Diameter of the lower rollers	7.5 in (190 mm)
Diameter of the upper rollers	5.5 in (140 mm)

### TRACK AREA

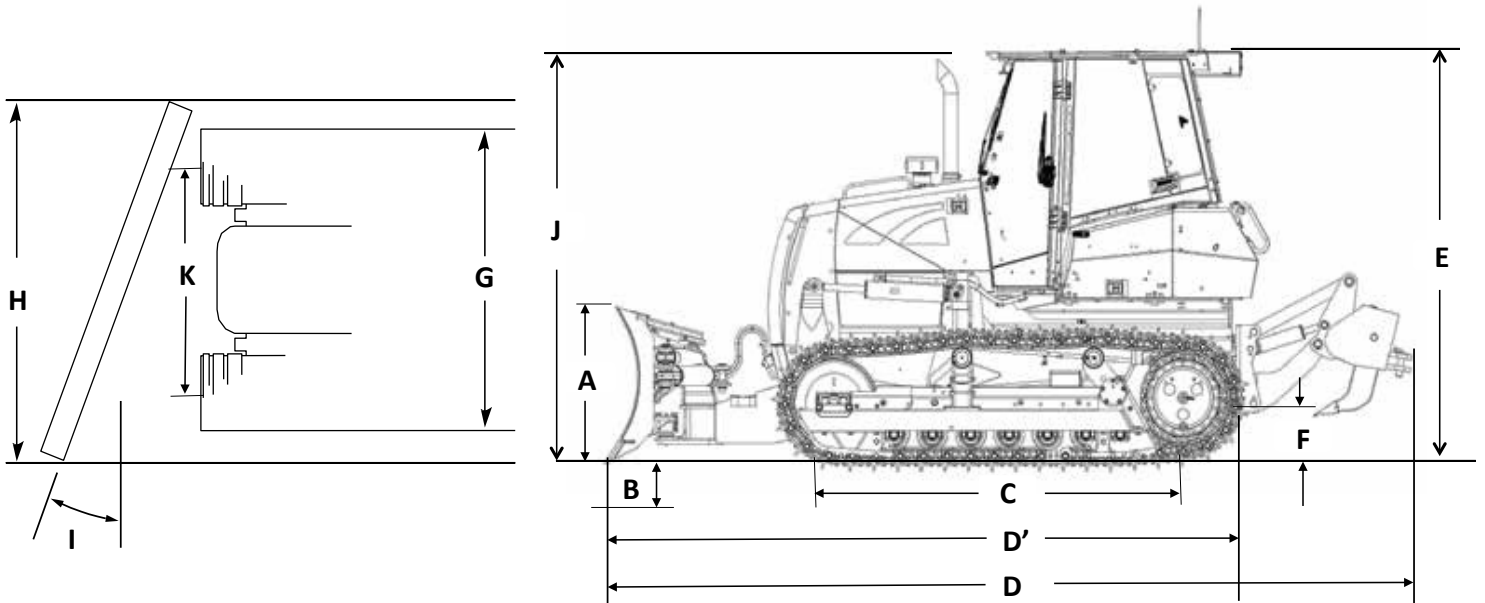
Shoe width	1 ft 8 in (508 mm)
Track area on the ground	28.30 ft <sup>2</sup> (2,63 m <sup>2</sup> )

### BLADE

Variable blade inclination	55° a 60°
Lifting speed	483 mm/seg (19 pol/sec)
Reversible and replaceable blade	
Width PAT	8 in (203,2 mm)
Thickness PAT	0,75 in (19,1 mm)
Legth	7 ft 1in (2158 mm)
Quantity	1

### RIPPER

Maximum penetration	1' 7" (478 mm)
Width	5' 7" (1.712 mm)
Cutting width	5' 4" (1.636mm)
Maximum free space over the ground	10,3 in (262 mm)
Maximum number of teeth	3
Clearance between the teeth with 3 shanks	2' 7" (785 mm)
Double action hydraulic piston	
Diameter	4 in (101,6 mm)
Stroke	10" (254 mm)
Diameter of the rod	2" (50,8 mm)



## DIMENSIONS – PAT BLADE

### XLT (extra-long track) PAT

A. Blade height	3' 8" (1.119 mm)
B. Depth of the blade in the ground	1' 7" (483 mm)
C. Length of the track on the ground	8' 6" (2.590 mm)
D. Length of the blade in the straight position and ripper	19' 7" (5.973 mm)
D'. With blade in the straight position and draw bar	15' 11" (4.856 mm)
E. Height of the top of the cab	9' 3" (2.829 mm)
F. Height above ground	1' 3" (379 mm)
G. Width to the ends of the tracks	7' 6" (2.286 mm)
H. Width of the blade at a maximum angle	9' 1" (2.770 mm)
Width of the blade fully placed on the ground	10' (3.050 mm)
I. Blade angle of attack	25°
J. Height of the exhaust	9' 4" (2.849 mm)
K. Track Gauge	5' 10" (1.780 mm)
Width of the shoe	1' 8" (508 mm)
Area of the track on the ground	28,30 ft <sup>2</sup> (2,63 m <sup>2</sup> )
Pressure on the ground	6.80 psi (46,9 kPa)
SAE blade capacity	3.76 yd <sup>3</sup> (2,9 m <sup>3</sup> )
Elevation of the blade over the ground	3' 2" (965 mm)
Blade oscillation (up to 8.3°)	1' 5" (439 mm)

Figures are merely illustrative and may not be an exact representation of the unit.

## STANDARD EQUIPMENT

### Operator Compartment

See page 2

### Engine

FPT F4HE9684K\*J105  
Fan belt automatic tensioner  
Engine oil cooler  
Fuel filter  
Air filter with double element radial sealing  
Turbine type pre-filter  
65 A alternator  
Battery (2) 12V 750 CCA  
Cooling system with radiators protected against possible sand projection.  
Excellent access for maintenance by panels on the sides of the engine.

### Power Train

2-way closed circuit with automatic speed variation with hydrostatic drive and electric control that adjusts the power and speed independently for each tread while turning or counter-rotating.

### Final commands

Triple reduction of final commands.  
SAHR type parking brake (applied by spring and released by hydraulic pressure).

### Blade

With manual inclination adjustment from 55° to 60°.  
Blade control with a single lever (electric/hydraulic) on the right side of the operator, with infinitely variable positions to control the six blade functions (up, down, angled to the left and right, tilt to the left and right).

### Tread train

Hydraulic adjustment of the tracks through grease injection.  
CASE Lubricated Treads (CLT).  
Sealed and lubricated pins, upper and lower rollers sealed and lubricated.  
Front and rear track guides.

### Ripper

3 teeth with 3 positions.

### Others

Anti-vandalism package  
Audible reverse gear warning  
Horn  
Work lights  
2 frontal  
1 rear  
Master key  
Internal mirror  
Predisposition for the SiteWatch monitoring system  
Frontal tow hook  
Safety belt 2 in (50.8 mm)

## OPTIONAL EQUIPMENT

### Operator Compartment

Rear windshield wiper

### Equipment mounted on the rear

Rear draw bar.

### Others

Drains that protect the environment while changing fluids.  
Intake air heater for ignition in cold climates.  
Additional work lights totaling four in the front and two in the back.  
Extended Duration Track (C.E.L.T)



Fleet monitoring and management system by satellite or cel phone tracking.

CASE Corporation reserves the right to make improvements in design or changes in specifications at any time without incurring any obligation to install them on units previously sold. The specifications, descriptions, and illustrative materials contained here reflect correctly the data known up to the publication date, but are subject to changes with no previous notice. The illustrations may include optional equipment and accessories and may not include all standard equipment.

CCEIO106 – 03/2022 – Printed in Brazil

**CaseCE.com**



### Commercial Offices

ARGENTINA  
Ávalos 2829 Edif. 1 Piso 4°,  
Complejo Urbana  
Vicente López (1605) Bs. As.,  
Argentina.  
Tel: +54 (11) 2034 1400

### Manufacturing plants

Contagem – Minas Gerais – Brasil  
Av. General David Sarnoff, 2.237  
Inconfidentes – C.P. 32210-900  
Tel.: +55 31 2104-3392

Sorocaba – São Paulo – Brasil  
Av. Jerome Case, 1.801  
Éden – C.P. 18087-220  
Tel.: +55 15 3334-1700