

HYDRAULIC EXCAVATOR – BRZ



CX130C

ENGINE

Brand	ISUZU
Model	GJ-4JJ1X
Type	Water-cooled, 4-cycle diesel, 4-cylinder in line, high pressure Common Rail system, turbocharger with air cooled intercooler, Tier 3 emission certification.
Rated power at 2000 rpm	
Net (SAE J1349, ISO 9249)	95,0 hp (70,9 kW)
Gross (ISO 14396)	97,9 hp (73,0 kW)
Piston displacement	2.999 cc
Maximum torque at 1600 rpm	
Net (SAE J1349, ISO 9249)	250.8 lbf.ft (340 Nm)
Gross (ISO 14396)	255.2 lbf.ft (346 Nm)
Bore and stroke	3.75 x 4.13 in (95,4 x 104,9 mm)
Voltage	24 V
Alternator	50 A
Starter	24 V 4,0 kW

ELECTRICAL SYSTEM

Engine control	
1 - Dial type throttle control	
2 - One Touch Idle / automatic deceleration / automatic idling shutdown system	
3 - Emergency stop	
Lights	
1 - Work lights	
Upper	24 V 70 W X 1
Boom	24 V 70 W X 2
Cab	24 V 70 W X 2
2 - Operator's Cab room	24 V 10 W X 1
Battery	2 X 12 V 100 Ah/5HR
Safety	
1 - Travel alarm	
2 - Double horn	
Wire harness	Waterproof connectors

HYDRAULIC SYSTEM

Main pumps	2 variable displacement axial piston pumps with regulating system
1 - Max. oil flow @ 2000 rpm	2 x 34 gpm (129 l/min)
2 - Work circuit pressure	
Boom/Arm/Bucket	4975 psi (34.3 MPa)
	5265 psi (36.3 MPa) with auto power-up
Swing circuit	4047 psi (27.9 MPa)
Travel circuit	4975 psi (34.3 MPa)
Pilot pump	1 gear pump
Working circuit pressure	565 psi (3.9 MPa)
Blade pump	1 gear pump
Max. oil flow	14,3 gpm (54 l/min) at 2.000 rpm
Control valves	
	With Boom/Arm holding valve. One 4-spool valve for right track travel, bucket, boom and arm acceleration. One 5-spool valve for left track travel, auxiliary, swing, boom acceleration and arm.
Swing device	
1 - Motor	Fixed displacement axial piston motor
2 - Brake	SAHR type
3 - Final drive	Planetary gear reduction
4 - Turn table bearing	Ball bearing type with internal gear
5 - Max. swing speed	14.1 rpm
6 - Swing torque	24340 lbf.ft (33.000 Nm)
Cylinder	Qty Diam.Bore x Diam.Rod x Stroke
Boom	2 4.1 in x 2.8 in x 3 ft 1.8 in (105 mm) (70 mm) (961 mm)
Arm	1 4.5 in x 3.1 in x 3 ft 7.6 in (115 mm) (80 mm) (1108 mm)
Bucket	1 3.7 in x 2.6 in x 2 ft 10.7 in (95 mm) (65 mm) (881 mm)
Blade	2 4.5 in x 2.7 in x 9.8 in (115 mm) (70 mm) (250 mm)
Filters	
Suction filter	105 µm
Return filter	6 µm
Pilot line filter	8 µm

HYDRAULIC CONTROLS

Boom/Arm/Bucket/Swing	Pilot pressure control system (ISO pattern control)
Travel	Pilot pressure control system
Blade	Pilot pressure control system
Work mode selection	
1 - Mode – SP	
2 - Mode – H	
3 - Mode – Auto	
Travel mode selection	(2 speeds)
Attachment cushion control	
Hydraulic lock	(gate lock left side tilt console)

MONITOR SYSTEM

1 - Message display (Caution, condition, etc...)
2 - Work mode display (SP, H, Auto)
3 - Machine condition (Power boost, etc...)
4 - Alarm display and buzzer
5 - Water temperature
6 - Hydraulic oil temperature
7 - Fuel level
8 - Diagnosis system

OPERATOR'S ENVIRONMENT

Operator's cabin

- 1 - Smooth and round shape design cab, fabricated by press work
- 2 - Safety glass on all windows
- 3 - Shock-less cab suspension by 4-point fluid mounting
- 4 - Sliding front window with automatic lock
- 5 - Full color LCD monitor display included
- 6 - Membrane switch on monitor display
- 7 - Windshield wiper & washer
- 8 - AM/FM Radio with auto-tuner and Bluetooth
- 9 - Floor mat
- 10 - Polycarbonate roof hatch & Sun shade
- 11 - Automatic air conditioning
- 12 - Top guard FOPS level 1 (in cab structure)
- 13 - Rollover protective structure (ROPS)

Sound level

Internal	70 dB(A) (according ISO 6396)
External	97 dB(A) (according ISO 6395)

OPERATOR'S SEAT

Low frequency mechanic suspension with helical spring and double acting hydraulic damper.

(Achieving the EM 6 category in ISO 7096)

With the following characteristics

- 1 - Manual weight adjustment
- 2 - Backrest angle adjustment
- 3 - Seat height adjustment,
- 4 - Adjustable armrest attached to the consoles
- 5 - Adjustable headrest
- 6 - Retractable seatbelt
- 7 - Adjustable back support
- 8 - Control consoles adjust independently of seat

Other

- 1 - Rear view mirror (cab side and right side)

UNDERCARRIAGE

Travel motor	Axial piston motor with variable piston displacement
Brake	SAHR type
Hydraulic service brake	Brake valve
Final drive	Planetary gear reduction
Travel speeds	
High	3.5 mph (5.6 km/h) (automatic speed change)
Low	2.1 mph (3.4 km/h)
Drawbar push	26.302,6 lbf (117 kN)
Number of rollers	
Upper	2 (on each side)
With blade	1 (on each side)
Lower	7 (on each side)
Number of shoes	44 on each side
Version with blade	43 on each side
Type of shoes	Triple grousers
Link pitch	6.75" (171,5 mm)
Shoes width - STD	2' (600 mm)
Grade-ability	70% (35°)

OPERATING WEIGHT

Operating weight	28.839 lb (13.081 kg)
With 9' 10" (3,01 m) arm, 0.85 yd ³ (0.65 m ³) bucket, 2' (600 mm) shoes, 165 lb (75 kg) operator, lubricant, coolant and full fuel tank.	
Shipping weight	28.259 lb (12.818 kg)
Operating weight – (Operator's weight 165 lb (75 kg) + 90% of the fuel weight)	
Counterweight	4.850 lb (2.200 kg)
Ground pressure	4.5 psi (0,32 kgf/cm ²)
With 9' 10" (3,01 m) arm, 0.85 yd ³ (0.65 m ³) bucket, 2' (600 mm) track shoes, with triple grousers.	

OPTION WITH BLADE

Blade width	8' 6" (2.590 mm)
Blade height	1' 10,5" (570 mm)
Maximum elevation above ground	1' 8,3" (515 mm)
Penetration into the ground	1' 8,5" (520 mm)

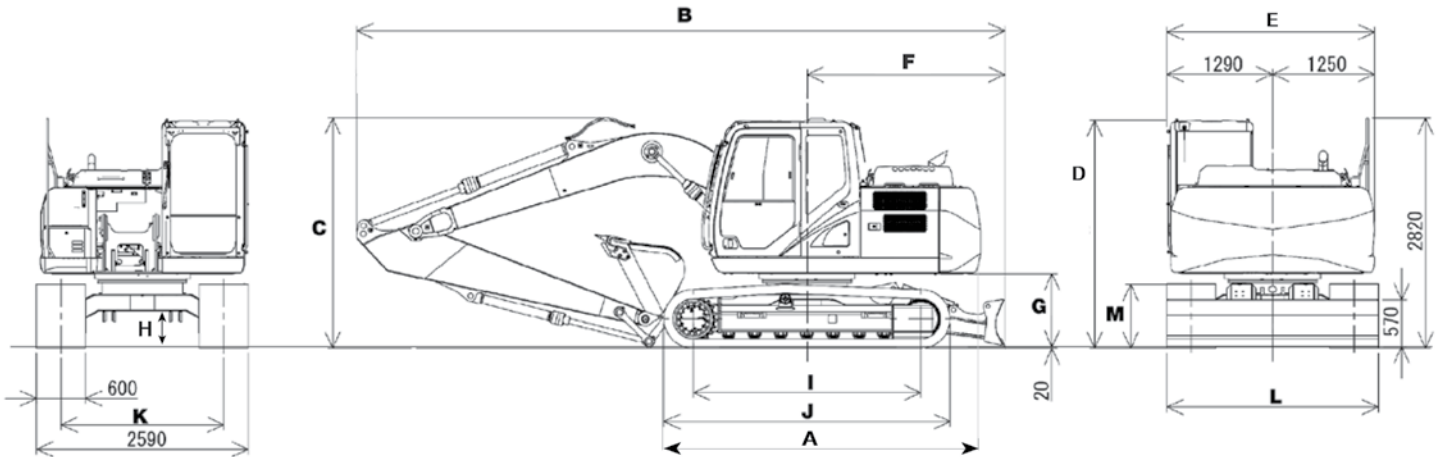
DIGGING FORCE WITH 0.85 YD³ (0,65 m³) BUCKET

ISO 6015	8 ft 2,5 in (2,50 m)	9 ft 10,5 in (3,01 m)
Arm digging force	13.939 lbf (62 kN)	12.590 lbf (56 kN)
With auto power-up	14.838 lbf (66 kN)	13.489 lbf (60 kN)
Bucket digging force	20.233 lbf (90 kN)	20.233 lbf (90 kN)
With auto power-up	21.357 lbf (95 kN)	21.357 lbf (95 kN)

COMPONENT WEIGHTS

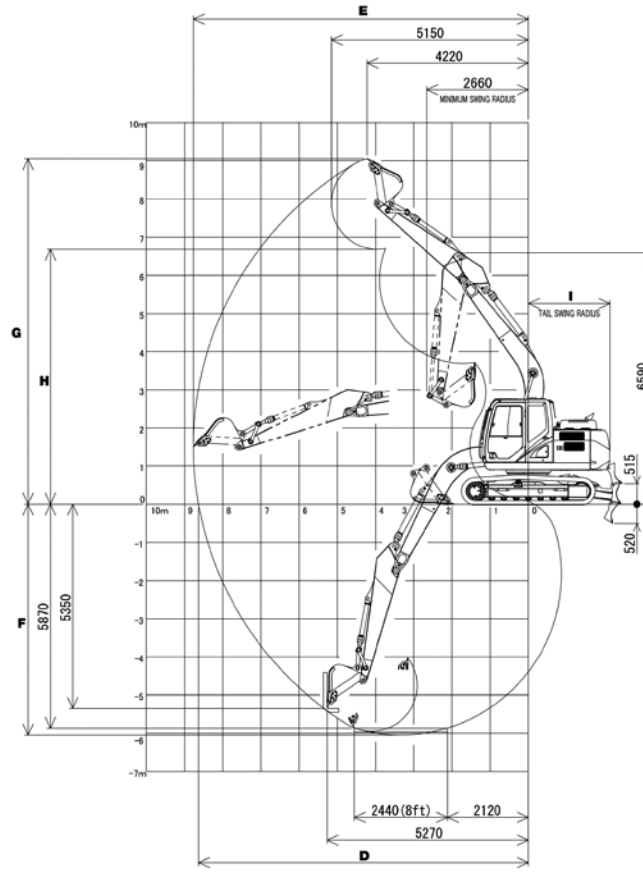
Pocket		
HD 0,72 yd ³ (0,55 m ³)		1.034 lb (469 kg)
GD 0,85 yd ³ (0,65 m ³)		1.014 lb (460 kg)
GD 0,65 yd ³ (0,50 m ³)		884 lb (401 kg)
GD 0,48 yd ³ (0,37 m ³)		774 lb (351 kg)
Shoes		
600 mm (2')		4.312 lb (1.956 kg)
700 mm (2' 3,5")		4.802 lb (2.178 kg)
Arms		
2,50 m (8' 2,4")		1.010 lb (458 kg)
3,01 m (9' 10,5")		1.109 lb (kg)
Blades		
2.590 mm (8' 6")		1.631 lb (740 kg)
2.690 mm (8' 10")		1.655 lb (751 kg)

DIMENSIONS



Arm	8 ft 2,4 in (2,50 m)	9 ft 10,5 in (3,01 m)
A. Overall length (without attachment)		
Standard	12' 4.0" (3760 mm)	12' 4.0" (3760 mm)
With blade	12' 8.7" (3880 mm)	12' 8.7" (3880 mm)
B. Overall length (with attachment)		
Standard	25' (7620 mm)	25' 0.8" (7640 mm)
With blade	25' 11.8" (7920 mm)	26' 0.6" (7940 mm)
C. Overall height (with attachment)	9' 2.5" (2810 mm)	9' 3" (2820 mm)
D. Cab height	9' 1.8" (2790 mm)	9' 1.8" (2790 mm)
E. Upper structure overall width	8' 3.9" (2540 mm)	8' 3.9" (2540 mm)
F. Swing radius	6' 11.8" (2130 mm)	6' 11.8" (2130 mm)
G. Clearance height under upper structure	2' 10.9" (890 mm)	2' 10.9" (890 mm)
H. Minimum ground clearance	1' 5.2" (440 mm)	1' 5.2" (440 mm)
I. Wheel base (center to center of wheels)		
Standard	9' 11.7" (3040 mm)	9' 11.7" (3040 mm)
With blade	9' 1.8" (2790 mm)	9' 1.8" (2790 mm)
J. Crawler overall length		
Standard	12' 4.0" (3760 mm)	12' 4.0" (3760 mm)
With blade	11' 5.8" (3500 mm)	11' 5.8" (3500 mm)
K. Track gauge	6' 6.2" (1990 mm)	6' 6.2" (1990 mm)
L. Undercarriage overall width with 2' (600 mm) shoes	8' 5.8" (2590 mm)	8' 5.8" (2590 mm)
M. Crawler track height	2' 7" (790 mm)	2' 7" (790 mm)

PERFORMANCE INFORMATION



Arm	8 ft 2,4 in (2,50 m)	9 ft 10,5 in (3,01 m)
A. Boom length	15' 2,3" (4630 mm)	15' 2,3" (4630 mm)
B. Bucket radius	3' 11,5" (1210 mm)	3' 11,5" (1210 mm)
C. Bucket rotation	178°	178°
D. Maximum reach at ground level	26' (8170 mm)	28' (8640 mm)
E. Max. reach	27' 3,1" (8310 mm)	28' 9,2" (8770 mm)
F. Max. digging depth	18' 2" (5540 mm)	19' 10" (6050 mm)
G. Max. digging height	28' 9,2" (8770 mm)	29' 8,3" (9050 mm)
H. Max. dumping height	20' 11,5" (6390 mm)	21' 11" (6680 mm)
I. Swing (rear end) radius	6' 11,8" (2130 mm)	6' 11,8" (2130 mm)

SERVICE CAPACITIES AND SPECIFICATIONS

	Capacities	Specifications
Hydraulic system	41.5 gal (157 l)	ISO VG 46
Hydraulic tank	21.7 gal (82 l)	ISO VG 46
Fuel tank	68.7 gal (260 l)	(Diesel)
Cooling system	4.3 gal (16,2 l)	Coolant 55% 45% water
Final drive case (on each side)	2,2 qt (2,1 l)	API GL-4 90
Swing drive case	2,3 qt (2,2 l)	API GL-5 90
Engine crank case (with remote oil filter)	4,5 gal (17 l)	API CD SAE 10W-30

Note:

- 1 - CASE CONSTRUCTION is constantly improving its products and, therefore, reserves the right to modify designs and specifications at any time.
- 2 - The illustrations may include optional equipment and may not include all standard equipment.
- 3 - These specifications refer to ISO 7135 standard (earthmoving machinery - hydraulic excavators - terminology and commercial specifications) second edition dated 12/15/2009.

BUCKET INFORMATION

CX130C - ISO

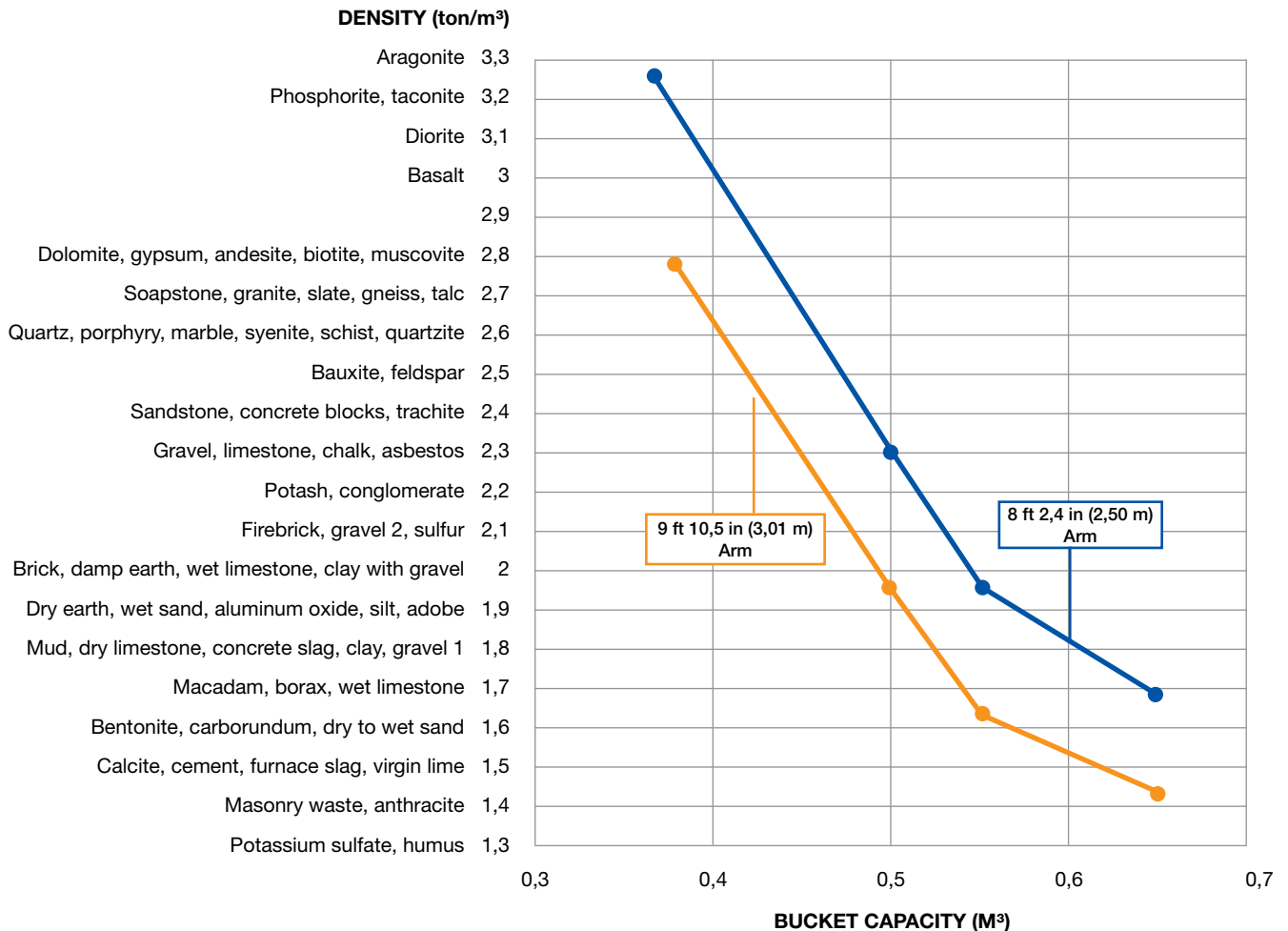
BUCKET	CAPACITY yd ³ (m ³)	WIDTH inch (mm)	WEIGHT lb (kg)	NUMBER OF TEETH
HD	0.72 (0.55)	37" (945)	1034 (469)	5
GD	0.85 (0.65)	45" (1155)	1014 (460)	5
GD	0.65 (0.50)	35" (895)	884 (401)	5
GD	0.48 (0.37)	28" (720)	774 (351)	4

Note: HD (Heavy Duty)

SC (Standard Capacity)

HC (High Capacity)

GD (General Duty)



LIFT CAPACITY

Arm 8 ft 2,4 in (2,50 m)

	0 m (0 ft)		1,5 m (4 ft 11 in)		3,0 m (9 ft 10 in)		4,5 m (14 ft 9 in)		6,0 m (19 ft 8 in)		7,5 m (24 ft 7 in)		9,0 m (25 ft 6 in)		MAXIMUM REACH		mm (ft in)
	FRONT	SIDE	FRONT	SIDE	FRONT	SIDE	FRONT	SIDE	FRONT	SIDE	FRONT	SIDE	FRONT	SIDE	FRONT	SIDE	
7,5 m (24 ft 7 in)							*2070 kg (4564 lb)	*2070 kg (4564 lb)							*1760 kg (3881 lb)	*1370 kg (3021 lb)	4600 mm (15' 1,0")
6,0 m (19 ft 8 in)							*2900 kg (6394 lb)	*2900 kg (6394 lb)	*2270 kg (5005 lb)	2100 kg (4630 lb)					*1460 kg (3219 lb)	*1150 kg (2536 lb)	6260 mm (20' 6,4")
4,5 m (14 ft 9 in)							*3240 kg (7143 lb)	*3240 kg (7143 lb)	2860 kg (6306 lb)	2070 kg (4564 lb)					*1370 kg (3021 lb)	*1080 kg (2381 lb)	7140 mm (23' 5")
3,0 m (9 ft 10 in)					*5680 kg (12523 lb)	*5680 kg (12523 lb)	*4250 kg (9370 lb)	3210 kg (7077 lb)	2760 kg (6085 lb)	1980 kg (4366 lb)	*1810 kg (3991 lb)	1300 kg (2867 lb)			1260 kg (2778 lb)	1070 kg (2359 lb)	7580 mm (24' 10,3")
1,5 m (4 ft 11 in)					*8030 kg (17704 lb)	5550 kg (12236 lb)	4020 kg (8863 lb)	2960 kg (6526 lb)	2640 kg (5821 lb)	1860 kg (4101 lb)	1810 kg (3991 lb)	1260 kg (2778 lb)			1200 kg (2646 lb)	1010 kg (2227 lb)	7670 mm (25' 1,9")
0 m (0 ft)					*7270 kg (16028 lb)	5190 kg (11442 lb)	4020 kg (8863 lb)	2770 kg (6107 lb)	2540 kg (5600 lb)	1770 kg (3903 lb)					1240 kg (2734 lb)	1050 kg (2315 lb)	7440 mm (24' 4,8")
-1,5 m (4 ft 11 in)			*5460 kg (12038 lb)	5460 kg (12038 lb)	8050 kg (17748 lb)	5260 kg (11597 lb)	3960 kg (8731 lb)	2730 kg (6019 lb)	2510 kg (5534 lb)	1750 kg (3859 lb)					1420 kg (3131 lb)	1190 kg (2624 lb)	6860 mm (22' 6")
-3,0 m (9 ft 10 in)			*8160 kg (17990 lb)	8160 kg (17990 lb)	*8060 kg (17770 lb)	5390 kg (11883 lb)	4040 kg (8907 lb)	2810 kg (6195 lb)							1420 kg (3131 lb)	1530 kg (3374 lb)	5850 mm (19' 2,3")
-4,5 m (14 ft 9 in)					*5480 kg (12082 lb)	5470 kg (12060 lb)									*3810 kg (8400 lb)	3460 kg (7628 lb)	4000 mm (13' 1,4")

Arm 9 ft 10,5 in (3,01 m)

	0 m (0 ft)		1,5 m (4 ft 11 in)		3,0 m (9 ft 10 in)		4,5 m (14 ft 9 in)		6,0 m (19 ft 8 in)		7,5 m (24 ft 7 in)		9,0 m (25 ft 6 in)		MAXIMUM REACH		m
	FRONT	SIDE	FRONT	SIDE	FRONT	SIDE	FRONT	SIDE	FRONT	SIDE	FRONT	SIDE	FRONT	SIDE	FRONT	SIDE	
7,5 m (24 ft 7 in)															*1430 kg (3153 lb)	*1430 kg (3153 lb)	5220 mm (17' 1,4")
6,0 m (19 ft 8 in)									*2380 kg (5248 lb)	2170 kg (4785 lb)					*1210 kg (2668 lb)	*1210 kg (2668 lb)	6700 mm (21' 11,8")
4,5 m (14 ft 9 in)							*2910 kg (6416 lb)	*2910 kg (6416 lb)	*2840 kg (6262 lb)	2130 kg (4696 lb)	*1250 kg (2756 lb)	*1250 kg (2756 lb)			*1150 kg (2536 lb)	*1150 kg (2536 lb)	7530 mm (24' 8,4")
3,0 m (9 ft 10 in)					*5260 kg (11597 lb)	*5260 kg (11597 lb)	*3960 kg (8731 lb)	3300 kg (7276 lb)	2820 kg (6218 lb)	2030 kg (4476 lb)	1900 kg (4189 lb)	1340 kg (2955 lb)			*1150 kg (2536 lb)	*1150 kg (2536 lb)	7940 mm (26' 0,5")
1,5 m (4 ft 11 in)					*7710 kg (16998 lb)	5770 kg (12721 lb)	4310 kg (9502 lb)	3040 kg (6703 lb)	2690 kg (5931 lb)	1910 kg (4211 lb)	1840 kg (4057 lb)	1290 kg (2844 lb)			*1210 kg (2668 lb)	1130 kg (2492 lb)	8020 mm (26' 3,7")
0 m (0 ft)			*2480 kg (5468 lb)	*2480 kg (5468 lb)	*7980 kg (17593 lb)	5320 kg (11729 lb)	4080 kg (8995 lb)	2840 kg (6262 lb)	2580 kg (5688 lb)	1810 kg (3991 lb)	*1800 kg (3969 lb)	1250 kg (2756 lb)			*1350 kg (2977 lb)	1170 kg (2580 lb)	7800 mm (25' 7")
-1,5 m (4 ft 11 in)			*5020 kg (11068 lb)	*5020 kg (11068 lb)	8080 kg (17814 lb)	5270 kg (11619 lb)	3990 kg (8797 lb)	2750 kg (6063 lb)	2530 kg (5578 lb)	1760 kg (3881 lb)					*1620 kg (3572 lb)	1310 kg (2889 lb)	7250 mm (23' 9,4")
-3,0 m (9 ft 10 in)			*7810 kg (17219 lb)	*7810 kg (17219 lb)	8220 kg (18122 lb)	5370 kg (11839 lb)	4030 kg (8885 lb)	2800 kg (6173 lb)	*2590 kg (5710 lb)	1820 kg (4013 lb)					*2180 kg (4807 lb)	1660 kg (3660 lb)	6310 mm (20' 8,4")
-4,5 m (14 ft 9 in)					6470 kg (14264 lb)	5550 kg (12236 lb)	*4010 kg (8841 lb)	2920 kg (6438 lb)							*3500 kg (7717 lb)	2640 kg (5821 lb)	4760 mm (15' 7,3")

NOTE: Machine in Auto working mode - Loads adapt according to SAE J1097, ISO 10567 and DIN 150 19-2. Lifting capacities should not exceed 75% of the minimum tipping load or 87% of the hydraulic lifting capacity. Load capacities marked with an * are limited by the hydraulic system.

STANDARD EQUIPMENT

Operator's compartment

Suspension system with 4 cushions
 Cab with ROPS and FOPS level 1 protection
 Air suspension seat
 3" Seat belt
 Automatic air conditioning
 AM/FM radio with automatic tuner and Bluetooth
 Control panel with 7" display and option for rear and side view camera
 Joystick levers to control hydraulic functions
 Travel pedal with auxiliary levers for manual control
 Footrest
 Safety levers to neutralize hydraulic functions with action delay timer
 Front windshield folding up, with limit switch sensor
 Sunroof and tilting roof
 Intermittent front windscreen wiper with two speeds and water jet
 Sliding left side window
 External rearview mirror
 Internal light
 Cup, phone and objects holders
 Double general key (mechanical / electric)

Upper chassis

15' 2,2" (4630 mm) boom
 9' 10,5" (3,01 m) penetration arm
 Turn brake with electronic management
 Rotating crown in grease bath

Lower chassis

Triple grouser shoe of 2' (600 mm)
 Track length 13' 1" (3.760 mm)
 Sealed and lubricated track
 Track activation by two-speed hydrostatic translation system
 Disc parking brakes (SAHR)
 Double track guide

Engine

Isuzu turbocharged, Tier 3 certified
 Dial-type acceleration control
 Automatic engine deceleration
 Electronic engine speed control
 Auto-idle device
 Auto stop device

Electric system

Batteries (2)
 Monitoring / diagnostics electronic system
 Cab's front working lights
 Boom working lights
 Alternator 50 A

Hydraulic system

With ISO control pattern
 Work mode selection Auto, H and SP
 Auxiliary accessory mode
 Auto power up
 2 variable flow pumps 129 l/min (34 gpm) at 2000 rpm
 Automatic reduction of pump flow
 Cylinders with end cushioning and electronic regenerative system

Other

Centralized lubrication for monobloc arm 0,85 yd³ (0,65 m³) GD bucket



ISO Conformitie

ROPS	12117-2:2008
FOPS level 1	10262:1998
Seat belt	6683:2005
Operator's seat	11112:1995
Seat vibration	7096:2000
Operator's primary controls, functional information, symbols for operator controls and other displays	10968:2004 / 6011:2003 6405-1:2004 / 6405-2:1993 / 6682:1995
Machine-control systems	15998:2008
Visibility	5006:2006 14401-1:2004 / 14401-2:2004
Sound level	
Internal	6396:2008
External	6395:2008
Ground contact pressure	16754:2008
Digging force	6015:2006
Terminology and commercial specifications	7135:2009
Lift capacity	10567:2007

OPTIONAL EQUIPMENT

Cabin

8' 2,4" (2,50 m) excavation arm
 Buckets for general applications, rock and severe applications
 2' 3,5" (700 mm) shoes
 8' 5,9" (2590 mm) blade
 8' 9,8" (2690 mm) blade
 Prepared for hydraulic hammer
 Prepared for rotating grab

Accessories

Prepared for hydraulic scissors
 Prepared for forest processor
 Auxiliary lighting
 Front protection
 Level 2 FOPS superior protection
 Adjustable angle seat with low frequency mechanical suspension with helical springs and double action hydraulic damper

Other

Rear view camera
 Side view camera
 Rotating beacon
 SiteWatch control system (cell phone / satellite telemetry)
 Advanced telemetry subscription 1, 2, 3, 4 or 5 years
 Fuel refueling pump



Fleet monitoring and tracking management system through satellite or mobile phone

Case reserves the right to implement improvements in the project and alterations to the specifications at any time, without prior notice, and not being liable to install them in previously sold units. The specifications, descriptions and graphics correctly reflect the information known to this day in this publication. This information may vary in different regions and may be subject to changes without previous notice. The graphics may include equipment and optional accessories, and may not include all the standard units.

CCEIO032 – 10/2020 – Printed in Brazil

CaseCE.com



Factories

Contagem – Minas Gerais – Brazil
Av. General David Sarnoff, 2.237
Inconfidentes – C.P. 32210-900
Tel.: +55 31 2104-3392

Sorocaba – São Paulo – Brazil
Av. Jerome Case, 1.801
Éden – C.P. 18087-220
Tel.: +55 15 3334-1700