

HYDRAULIC EXCAVATOR - BRZ



CX350C

ENGINE

Brand	ISUZU
Model	GH-6HK1XKSS
Type	4-stroke engine, water-cooled, 4 cylinder-in-line common rail injection system, turbocharged with air-cooled intercooler, with tier 3 emission certification
Rating Power	
Net (ISO 9249)	268,2 hp (200 kW) @ 2000 rpm
Gross (ISO 14396)	284,3 hp (212 kW) @ 2000 rpm
Piston displacement	7790 cc
Maximum torque	
Net (ISO 9249)	725.02 lbf.ft (983 Nm) @ 1500 rpm
Gross (ISO 14396)	752.31 lbf.ft (1020 Nm) @ 1500 rpm
Bore and stroke	4.5 x 4.9 in (115 x 125 mm)
Voltage	24 V
Alternator	50 A
Starter engine	24 V 5,0 kW

ELECTRICAL SYSTEM

Engine control	
1 - Quadrant type acceleration control	
2 - Touch idling / automatic deceleration / automatic idling shutdown system	
3 - Emergency shutdown	
Lights	
1 - Work lights	
Top	24V 70W x 1
Boom	24V 70W x 2
Cabin	24V 70W x 2
2 - Operator's	
Cabin compartment	24V 10W x 1
Battery	2 x 12 V 170 Ah/5HR
Safety	
1 - Travel alarm	
2 - Double horn	
Wire harness	Waterproof connectors

HYDRAULIC SYSTEM

Main pumps	2 axial piston pumps and variable flow with adjustment system		
1 - Max. flow	2 x 79.25 gpm (300 l/min) @ 2000 rpm		
2 - Work circuit pressure			
Boom/Arm/Bucket	4974 psi (34.3 MPa)	5410 psi (37.3 MPa) with AUTO power up	
Swing circuit	4410 psi (30.4 MPa)		
Travel circuit	4974 psi (34.3 MPa)		
Pilot pump	1 gear pump		
1 - Max flow	7.9 gpm (30 l/min)		
2 - Work circuit pressure	566 psi (3.9 MPa)		
Control valves	With boom and arm retention valve. One 4-spool valve for the acceleration of the arm, boom, bucket and movement of the right track. One 5-spool valve for the movement of the left track, auxiliary, oscillation, arm, and boom acceleration		
Swing device			
1 - Engine	Axial piston motor and fixed displacement		
2 - Brake	SAHR type		
3 - Final control	Planetary gear reduction		
4 - Turning table bearings	Internal ball bearing		
5 - Max. turning speed	10,0 rpm		
6 - Turn torque	82607 lbf.ft (112000 Nm)		
Cylinder	Qty	Diam.Bore	x Diam.Rod x Stroke
Boom	2	5.7 in (145 mm)	x 3.9 in (100 mm) x 4 ft 10 in (1495 mm)
Arm	1	6.7 in (170 mm)	x 4.7 in (120 mm) x 5 ft 7 in (1748 mm)
Bucket	1	5.9 in (150 mm)	x 4.1 in (105 mm) x 3 ft 11 in (1210 mm)
Filters			
Suction filter	105 µm		
Return filter	6 µm		
Pilot line filter	8 µm		

HYDRAULIC CONTROLS

Boom/arm/bucket/turn	Pilot pressure control system (ISO standard control)
Travel	Pilot pressure control system
Work mode selection	
1 - Mode SP	
2 - Mode H	
3 - Mode Auto	
Hydraulic block (door block, left side tilt console)	

MONITOR SYSTEM

1 - Message screen (Warning. Situation, etc.)
2 - Work mode (SP, H, Auto)
3 - Machine condition (Power boost, etc.)
4 - Alarm and buzzer screen
5 - Water temperature
6 - Hydraulic oil temperature
7 - Fuel level
8 - Diagnose System

OPERATOR'S ENVIRONMENT

Operator's cabin

- 1 - Round shaped cabin with a smooth design
- 2 - Safety glass on all windows
- 3 - Impactless suspension through 4 hydraulic dampers
- 4 - Sliding front window with automatic block
- 5 - Color LCD screen
- 6 - Membrane switch on the display screen
- 7 - Windscreen wipers and washer
- 8 - AM/FM radio with automatic tuner
- 9 - Floor carpet
- 10 - Ceiling hatch of polycarbonate and sun protection
- 11 - Automatic air conditioning
- 12 - FOPS defense level 1 (on the cabin's structure)
- 13 - Rollover protection structure (ROPS)
- 14 - Internal noise level 72 dBa (According to ISO 6396)

Operator's seat

- 1 - Manual weight adjustment
- 2 - Back angle adjustment
- 3 - Seat height adjustment, movable armrest attached to the consoles
- 4 - Adjustable headrest
- 5 - 3" self retracting seatbelt
- 6 - Adjustable back support
- 7 - The control consoles are adjusted independently from the seat

Other

- 1 - Back mirror (cabin side and right side)

UNDERCARRIAGE

Drive motor	Axial piston motor with variable displacement	
Brake	SAHR type	
Hydraulic service brake	Brake valve	
Final control	Planetary gear reduction	
Travel speeds		
High	3.3 mph (5,4 km/h)	(Automatic speed change)
Low	2.1 mph (3,4 km/h)	
Drawbar push	59124 lbf (263 kN)	
Number of upper rollers	2 (on each side)	
Number of lower rollers	8 (on each side)	
Quantity of shoes	48 (on each side)	
Type of shoes	Triple claw pad	
Link pitch	8.5 in (216 mm)	
Track width - STD	1' 11" (600 mm)	
Gradeability	70% (35°)	

OPERATING WEIGHT

Operating weight

83577 lb (37.910 kg)

With HD 10' 8" (3.25 m) arm, 2.6 yd³ (2.0 m³) bucket, 1' 11" (600 mm) track shoes, operator, lubricant, coolant and full fuel tank

Shipping weight

82385 lb (37.369 kg)

Operating weight - Operator's weight 170 lb (77 kg) + 90% of the fuel weight 1023 lb (464 kg)

Counterweight 16975 lb (7.700 kg)

Ground pressure 7,5 psi (0,53 kgf/cm²)

With HD 10' 8" (3.25 m) arm, 2.6 yd³ (2.0 m³) bucket, 1' 11" (600 mm) track shoes

EXCAVATION FORCE

WITH 2.6 yd³ (2.0 m³) BUCKET

ISO 6015	7 ft 3 in (2,21 m)	10 ft 8 in (3,25 m)
Arm digging	52155 lbf (231 kN)	37093 lbf (167 kN)
With AUTO power up	56651 lbf (251 kN)	40690 lbf (181 kN)
Bucket digging force	55303 lbf (246 kN)	55303 lbf (246 kN)
With AUTO power up	60024 lbf (267 kN)	60024 lbf (267 kN)

COMPONENTS WEIGHT

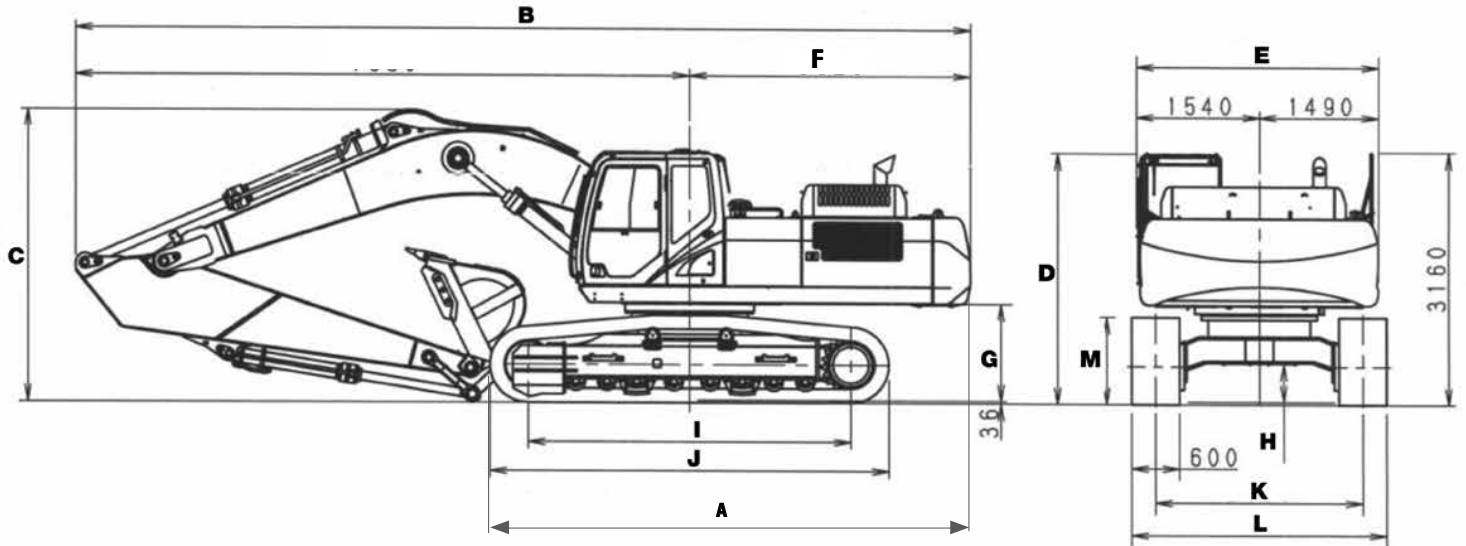
Track shoes

2' (600 mm)	10229 lb (4640 kg)
2' 3,5" (700 mm)	11177 lb (5070 kg)
2' 7,4" (800 mm)	12129 lb (5502 kg)

Arms

HD 7' 3" (2,21 m)	2696 lb (1223 kg)
HD 10' 8" (3,25 m)	3342 lb (1516 kg)

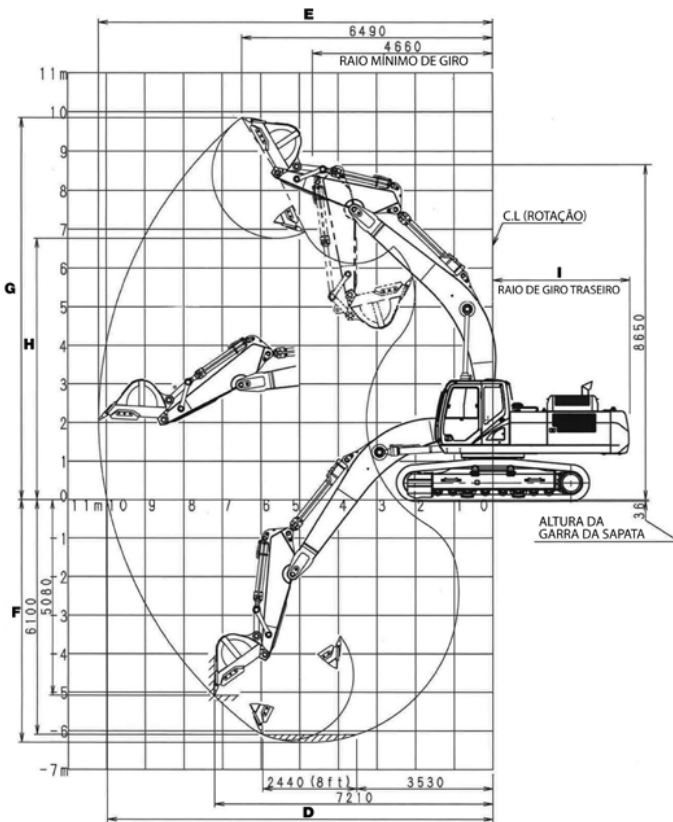
DIMENSIONS



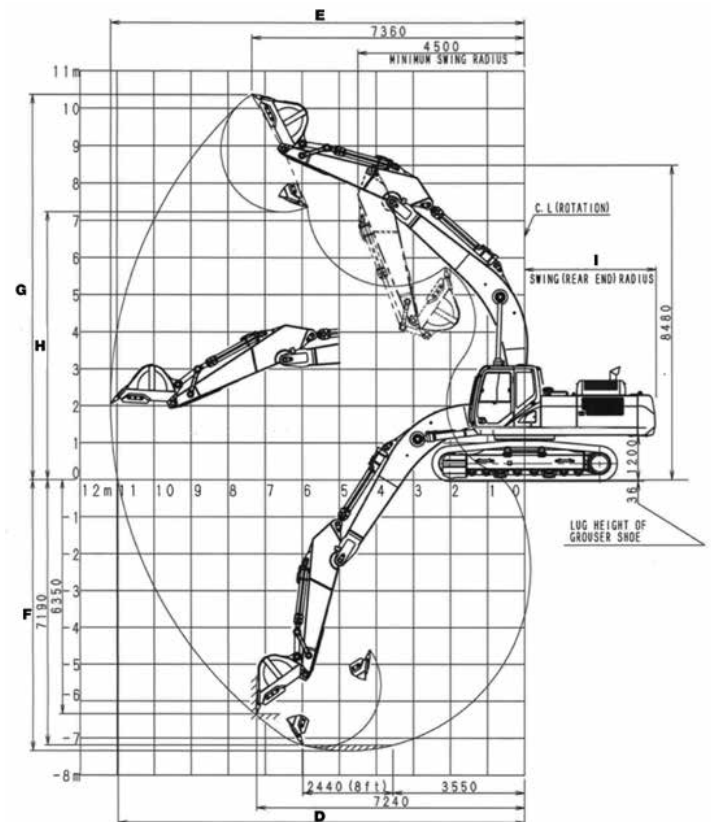
	7 ft 3 in (2,21m)	10 ft 7 in (3,25m)
Arm HD		
A. Total length (without accessory)	19' 9,8" (6040 mm)	19' 9,8" (6040 mm)
B. Total length (with accessory)	37' 2.8" (11350 mm)	36' 6.5" (11140 mm)
C. Total height (with accessory)	11' 11.7"(3650 mm)	11' 2.6" (3420 mm)
D. Cabin height	10' 3.2" (3130 mm)	10' 3.2" (3130 mm)
E. Upper structure total width	9' 11" (3030 mm)	9' 11" (3030 mm)
F. Back rotation radius	11' 7.7" (3550 mm)	11' 7.7" (3550 mm)
G. Low space upper structure	3' 11" (1200 mm)	3' 11" (1200 mm)
H. Minimum distance to ground	1' 6.8" (480 mm)	1' 6.8" (480 mm)
I. Distance between shafts (from center to center of the wheels)	13' 3.0" (4040 mm)	13' 3.0" (4040 mm)
J. Full track length	16' 4.0" (4980 mm)	16' 4.0" (4980 mm)
K. Track gauge	8' 6.3" (2600 mm)	8' 6.3" (2600 mm)
L. Full crawler rail width - with 1' 11" (600 mm) shoes	10' 5.9" (3200 mm)	10' 5.9" (3200 mm)
M. Track height	3' 6.9" (1090 mm)	3' 6.9" (1090 mm)

PERFORMANCE INFORMATION

7' 3" (2.21 M) ARM



10' 7" (3.25 M) ARM



	7 ft 3 in (2,21 m)	10 ft 7 in (3,25 m)
Arm HD		
A. Boom length	21' 1.9" (6450 mm)	21' 1.9" (6450 mm)
B. Bucket radius	5' 6.1" (1680 mm)	5' 6.1" (1680 mm)
C. Bucket rotation	173 °	173 °
D. Max. ground level reach	32' 9.3" (9990 mm)	36' (10980 mm)
E. Max. reach	33' 5.5" (10200 mm)	36' 7.7" (11170 mm)
F. Max. excavation depth	20' 8.0" (6300 mm)	24' 0.9" (7340 mm)
G. Max. excavation height	32' 3.7" (9850 mm)	34' (10370 mm)
H. Max. unload height	22' 2.5" (6770 mm)	23' 8.6" (7230 mm)
I. Back rotation radius	11' 7.7" (3550 mm)	11' 7.7" (3550 mm)

SERVICE CAPACITIES AND SPECIFICATIONS

	Capacities	Specifications
Hydraulic system	92.46 gal (350 l)	ISO VG 46
Hydraulic deposit	46.23 (175 l)	ISO VG 46
Fuel tank	153.22 (580 l)	(Diesel)
Cooling system	8.69 (32,9 l)	Coolant 55% 45% water
Final control (on each side)	2.90 (11 l)	API GL-4 90
Swing reductor box	1.32 (5 l)	API GL-5 90
Engine housing (with remote oil filter)	10.83 (41 l)	API CD SAE 10W-30

Note:

- 1 - CASE Construction is constantly improving its products and therefore, it reserves the right to modify its design and specifications at any time.
- 2 - The graphics may include optional equipment and may not include all the standard equipment.
- 3 - These specifications are based on the ISO 7135 standard (Land machinery – hydraulic excavators – Terminology and commercial specifications) second edition date 12/15/2009

CX350C - 7' 3" (2.21 m) Arm

	0 m (0 ft)		1,5 m (4 ft 11 in)		3,0 m (9 ft 10 in)		4,5 m (14 ft 9 in)		6,0 m (19 ft 8 in)		7,5 m (24 ft 7 in)		9,0 m (25 ft 6 in)		MAXIMUM REACH		mm
	FRONT	SIDE	FRONT	SIDE	FRONT	SIDE	FRONT	SIDE	FRONT	SIDE	FRONT	SIDE	FRONT	SIDE	FRONT	SIDE	
9,0 m (25 ft 6 in)																	
7,5 m (24 ft 7 in)									*10196 kg (22479 lb)	*10196 kg (22479 lb)					*10146 kg (22369 lb)	9446 kg (20825 lb)	6520 mm (21' 4,68")
6,0 m (19 ft 8 in)									*10588 kg (23343 lb)	*10588 kg (23343 lb)	*9764 kg (21526 lb)	7420 kg (16359 lb)			*9762 kg (21522 lb)	7350 kg (16204 lb)	7540 mm (24' 8,7")
4,5 m (14 ft 9 in)							*15297 kg (33725 lb)	*15297 kg (33725 lb)	*11697 kg (25788 lb)	10136 kg (22347 lb)	*10034 kg (22122 lb)	7250 kg (15984 lb)			*9657 kg (21291 lb)	6335 kg (13967 lb)	8160 mm (26' 9,2")
3,0 m (9 ft 10 in)									*12988 kg (28634 lb)	9559 kg (21074 lb)	*10591 kg (23350 lb)	6980 kg (15389 lb)			9050 kg (19952 lb)	5835 kg (12864 lb)	8470 mm (27' 9")
1,5 m (4 ft 11 in)									*13904 kg (30654 lb)	9124 kg (20115 lb)	10630 kg (23436 lb)	6750 kg (14882 lb)			8860 kg (19533 lb)	5678 kg (12518 lb)	8500 mm (27' 10")
0 m (0 ft)							*18620 kg (41051 lb)	13479 kg (29717 lb)	*14106 kg (31099 lb)	8910 kg (19644 lb)	10480 kg (23105 lb)	6610 kg (14573 lb)			9154 kg (20182 lb)	5835 kg (12864 lb)	8260 mm (27' 1,08")
-1,5 m (4 ft 11 in)							*17306 kg (38154 lb)	13572 kg (29922 lb)	*13477 kg (29712 lb)	8897 kg (19615 lb)	*10455 kg (23050 lb)	6630 kg (14617 lb)			*9981 kg (22005 lb)	6396 kg (14101 lb)	7720 mm (25' 3,8")
-3,0 m (9 ft 10 in)					*17782 kg (39203 lb)	*17782 kg (39203 lb)	*14957 kg (32975 lb)	13839 kg (30510 lb)	*11692 kg (25777 lb)	9083 kg (20025 lb)					*9770 kg (21540 lb)	7703 kg (16983 lb)	8820 mm (22' 4,44")
-4,5 m (14 ft 9 in)							*10521 kg (23195 lb)	*10521 kg (23195 lb)							*8553 kg (18857 lb)	*8553 kg (18857 lb)	5360 mm (17' 6,9")

CX350C - 10' 7" (3.25 m) Arm

	0 m (0 ft)		1,5 m (4 ft 11 in)		3,0 m (9 ft 10 in)		4,5 m (14 ft 9 in)		6,0 m (19 ft 8 in)		7,5 m (24 ft 7 in)		9,0 m (25 ft 6 in)		MAXIMUM REACH		mm
	FRONT	SIDE	FRONT	SIDE	FRONT	SIDE	FRONT	SIDE	FRONT	SIDE	FRONT	SIDE	FRONT	SIDE	FRONT	SIDE	
9,0 m (25 ft 6 in)																	
7,5 m (24 ft 7 in)											*7679 kg (16930 lb)	7564 kg (16676 lb)			*6123 kg (13499 lb)	*6123 kg (13499 lb)	7750 mm (25' 5,04")
6,0 m (19 ft 8 in)											*8279 kg (18253 lb)	7488 kg (16509 lb)			*5891 kg (12988 lb)	5830 kg (12853 lb)	8620 mm (28' 3,3")
4,5 m (14 ft 9 in)									*10172 kg (22426 lb)	*10172 kg (22426 lb)	*8840 kg (19489 lb)	7233 kg (15947 lb)	*7380 kg (16271 lb)	5317 kg (11722 lb)	*5890 kg (12986 lb)	5138 kg (11328 lb)	9170 mm (30' 0,9")
3,0 m (9 ft 10 in)							*15871 kg (34990 lb)	14762 kg (32545 lb)	*11668 kg (25724 lb)	9656 kg (21288 lb)	*9600 kg (21165 lb)	6908 kg (15230 lb)	8115 kg (17891 lb)	5177 kg (11414 lb)	*6080 kg (13405 lb)	4770 kg (10517 lb)	9440 mm (30' 11,6")
1,5 m (4 ft 11 in)							*18143 kg (39999 lb)	13699 kg (30202 lb)	*12967 kg (28588 lb)	9093 kg (20047 lb)	*10310 kg (22730 lb)	6600 kg (14551 lb)	7948 kg (17523 lb)	5023 kg (11074 lb)	*6479 kg (14284 lb)	4637 kg (10223 lb)	9470 mm (31' 0,7")
0 m (0 ft)							*18834 kg (41522 lb)	13233 kg (29174 lb)	*13685 kg (30171 lb)	8730 kg (19247 lb)	10254 kg (22607 lb)	6376 kg (14057 lb)	7830 kg (17263 lb)	4916 kg (10838 lb)	*7161 kg (15788 lb)	4720 kg (10406 lb)	9260 mm (30' 4,56")
-1,5 m (4 ft 11 in)					*13780 kg (30380 lb)	*13780 kg (30380 lb)	*18313 kg (40374 lb)	13137 kg (28963 lb)	*13657 kg (30109 lb)	8579 kg (18914 lb)	10141 kg (22358 lb)	6274 kg (13832 lb)			8085 kg (17825 lb)	5065 kg (11167 lb)	8790 mm (28' 9,9")
-3,0 m (9 ft 10 in)					*21927 kg (48341 lb)	*21927 kg (48341 lb)	*16751 kg (36930 lb)	13271 kg (29258 lb)	*12737 kg (28081 lb)	8619 kg (19002 lb)	*9756 kg (21509 lb)	6330 kg (13956 lb)			*8734 kg (19256 lb)	5827 kg (12847 lb)	8000 mm (26' 2,88")
-4,5 m (14 ft 9 in)					*18065 kg (39827 lb)	*18065 kg (39827 lb)	*13792 kg (30407 lb)	13631 kg (30052 lb)	*10391 kg (22909 lb)	8880 kg (19578 lb)					*8478 kg (18691 lb)	7504 kg (16544 lb)	6810 mm (22' 4,0")

Nota: Machine in AUTO work mode - The loads are adopted according to the standard SAE J1097 ISO 10567D DIN 150 19-2 - The load capacities in kg indicated do not exceed the 75% of the tipping load or 87% the hydraulic elevation capacity - capacities marked with an asterisk (*) are limited by the hydraulic capacity.

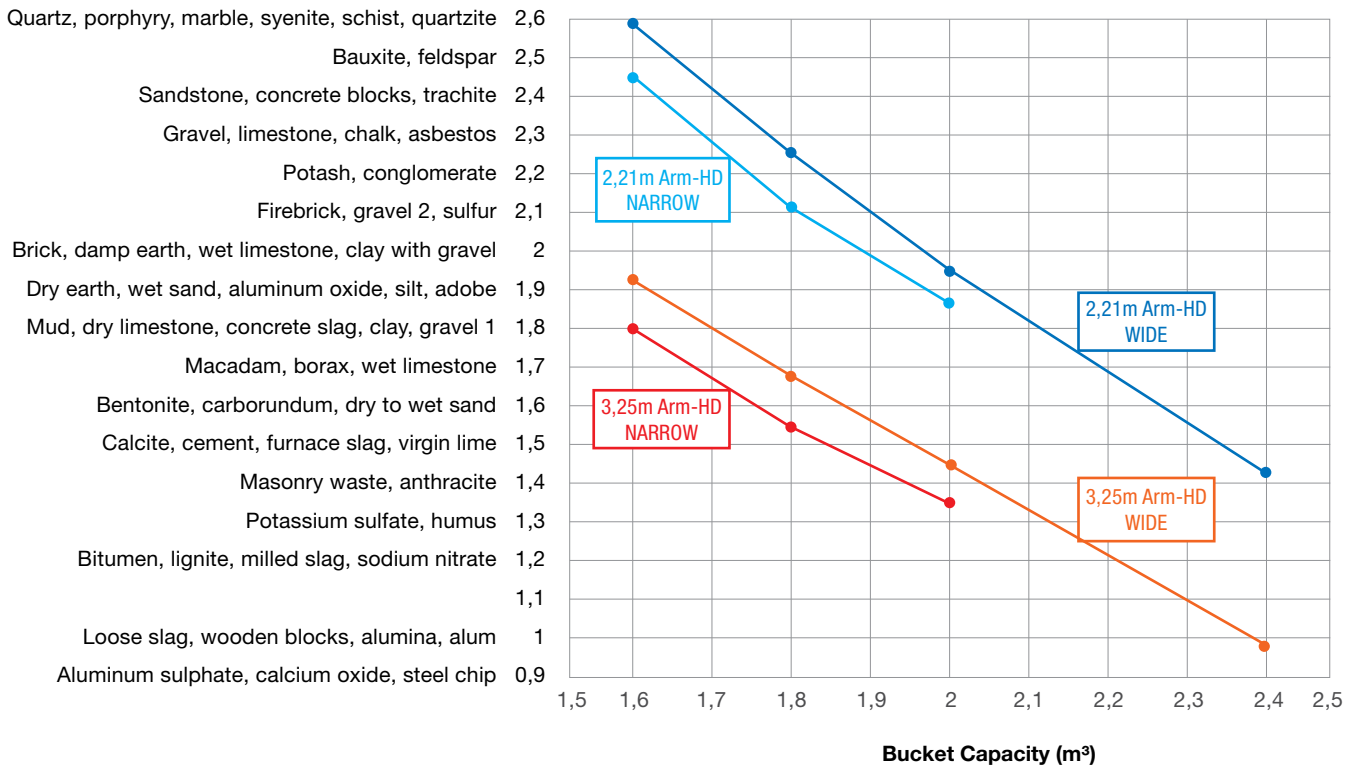
BUCKET INFORMATION

CX350C – ISO

BUCKET	CAPACITY yd ³ (m ³)	WIDTH ft/in (mm)	WEIGHT lb (kg)	TEETH NUMBER
HD (NW)	2.1 (1.6)	5' (1535)	3871 (1756)	5
HD (NW)	2.35 (1.8)	5' 6.7" (1695)	4112 (1865)	5
HD (NW)	2.62 (2.0)	6' (1825)	4314 (1957)	5
HD (WD)	2.1 (1.6)	5' 1,4" (1560)	3530 (1601)	5
HD (WD)	2.35 (1.8)	5' 8,1" (1730)	3768 (1709)	5
HD (WD)	2.62 (2.0)	6' 2,8" (1900)	4023 (1825)	5

Note: HD – Heavy Duty
WD – Wide
NW – Narrow

DENSITY (TON/m³)



SERIES EQUIPMENT

Operator's Compartment

Pressurized cabin with round shape and smooth design
 Safety glass on all windows
 Impact-proof cabin suspension for 4 cushion hydraulic mounting
 Sliding front window with automatic block
 Full color LCD screen included
 Membrane switch on the display screen
 Windscreen wipers and washer
 AM/FM radio with automatic tuner
 floor carpet
 Ceiling hatch of polycarbonate and sun protection
 Automatic air conditioning
 Top FOPS defense level 1 (on the cabin's structure)
 Rollover protection structure (ROPS)
 Operator's seat with low frequency mechanical suspension with helical spring and double acting hydraulic damper, manual weight adjustment, back angle adjustment, adjustable armrest height attached to the consoles, adjustable headrest, self retracting seatbelt and adjustable back support.
 The control consoles are adjusted independently from the seat
 Rear view mirror
 Double horn
 Travel alarm
 Joystick levers to control hydraulic functions
 Safety levers to neutralize hydraulic functions and start of the engine

Engine

4-stroke engine, water-cooled, 6 cylinder - common rail injection system, turbocharged with air-cooled intercooler, with tier 3 emission certification.

Electric System

Wiring with waterproof connectors
 Battery 2x 12V 170 Ah/5HR
 Voltage 24V
 Alternator 50 A
 Starter engine 5,0 kW

Hydraulic System

With ISO standardized steering control
 Work mode selection Auto, H and SP
 Auxiliary accessory mode
 Auto power up
 2 variable flow pumps
 Electronic flow control
 Cylinders with end cushioning
 One gear pump for pilot system

Undercarriage

Travel speeds
 High 5,4 Automatic speed change
 Low 3,4 km/h
 Quantity of transport rollers: 2 (each side)
 Quantity of rollers on each track 8 (on each side)
 Number of shoes 48 (on each side)
 Pads width 1' 11" (600 mm)
 Type of shoes triple grousers
 Track width 8' 6" (2600 mm)
 Track length 16' 4" (4980 mm)
 Track guide Simple
 Sealed and lubricated chains



ISO Conformitie

ROPS	12117-2:2008
FOPS level 1	10262:1998
Seat belt	6683:2005
Operator's seat	11112:1995
Seat vibration	7096:2000
Operator's primary controls, functional information, symbols for operator controls and other displays	10968:2004 / 6011:2003 6405-1:2004 / 6405-2:1993 / 6682:1995
Machine-control systems	15998:2008
Visibility	5006:2006 14401-1:2004 / 14401-2:2004
Sound level	
Internal	6396:2008
External	6395:2008
Ground contact pressure	16754:2008
Digging force	6015:2006
Terminology and commercial specifications	7135:2009
Lift capacity	10567:2007

OPTIONAL EQUIPMENT

Cabin

Seat with air suspension
 2 options for front stone protection.
 Level 2 FOPS superior protection
 Rain deflector
 Sun screen

Accessories

7' 3" (2,21 m) arm
 Heavy Duty bucket and link with hook
 Rubber fender protector
 Additional handrails Rh + Lh
 Safety valve for the boom

Other

Rear view camera
 Side view camera
 Refueling pump

Undercarriage

2' 3" (700 mm) and 2' 7" (800 mm) track shoes
 Triple track guide



Fleet monitoring and tracking management system through satellite or mobile phone

Case reserves the right to implement improvements in the project and alterations to the specifications at any time, without prior notice, and not being liable to install them in previously sold units. The specifications, descriptions and graphics correctly reflect the information known to this day in this publication. This information may vary in different regions and may be subject to changes without previous notice. The graphics may include equipment and optional accessories, and may not include all the standard units.

CCEI0036 – 10/2020 – Printed in Brazil

CaseCE.com



Factories

Contagem – Minas Gerais – Brazil
 Av. General David Sarnoff, 2.237
 Inconfidentes – C.P. 32210-900
 Tel.: +55 31 2104-3392

Sorocaba – São Paulo – Brazil
 Av. Jerome Case, 1.801
 Éden – C.P. 18087-220
 Tel.: +55 15 3334-1700