

# HYDRAULIC EXCAVATOR - BRZ



## CX240C ME

### ENGINE

Brand	FPT
Model	NEF6 F4HE0687A*J101
Type	4-stroke engine, water-cooled, 6 cylinder – common rail injection system, turbocharged with air-cooled intercooler, with tier 3 emission certification.
Rating power	
Net (SAE J1349, ISO 9249)	147.8 hp (110.2 kW) @ 1800 (rpm)
Gross (ISO 14396)	158.5 hp (118.2 kW) @ 1800 (rpm)
Piston displacement	6728 cc
Maximum torque	
Net (SAE J1349, ISO 9249)	408.44 lbf.ft (608 Nm) @ 1800 rpm
Gross (ISO 14396)	458.76 lbf.ft (622 Nm) @ 1800 rpm
Bore and stroke	4.09 x 5.19 in (104 x 132 mm)
Voltage	24 V
Alternator	90 A
Starter	24 V 5,0 kW

### ELECTRICAL SYSTEM

Engine control	
1 - Dial type throttle control	
2 - One Touch Idle / Automatic deceleration / Automatic stop and shutdown system	
3 - Emergency stop	
Lights	
1 - Working lights	
Top	24V 70W x 1
Boom	24V 70W x 2
Cab	24V 70W x 2
2 - Operator's cabin compartment	24V 10W x 1
Battery	2 x 12V 100 Ah/5 HR
Safety	
1 - Travel alarm	
2 - Double horn	
Wire harness	Waterproof connectors

### HYDRAULIC SYSTEM

Main pumps	2 axial piston pumps and variable flow with adjustment system
1 - Max. oil flow @ 1800 rpm	2 x 55.7 gpm (211 l/min)
2 - Work circuit pressure	
Boom/Arm/Bucket	4974 psi (34.3 MPa)
5337 psi (36.8 MPa) with auto power-up	
Swing circuit	4264 psi (29.4 MPa)
Travel circuit	4974 psi (34.3 MPa)
Pilot pump	1 gear pump
1 - Max. oil flow	4.7 gpm (18 l/min)
2 - Work circuit pressure	566 psi (3.9 MPa)
Control valves	
	With boom and arm retention valve. One 4-spool valve for the acceleration of the arm, boom, bucket and movement of the right track. One 5-spool valve for the movement of the left track, auxiliary, oscillation, arm, and tow bar acceleration
Swing device	
1 - Engine	Axial piston motor and fixed displacement
2 - Brake	SAHR type
3 - Final drive	Planetary gear reduction
4 - Turn table bushing	Ball bearing type with internal gear
5 - Max. swing speed	11.5 rpm
6 - Swing torque	47204 lbf.ft (64000 Nm)
Cylinder Qty Diam.Bore x Diam.Rod x Stroke	
Boom	2 4.7 in x 3.5 in x 4 ft 1.4 in (120 mm) (85 mm) (1255 mm)
Arm	1 5.5 in x 3.9 in x 4 ft 10 in (140 mm) (100 mm) (1460 mm)
Bucket	1 4.7 in x 3.5 in x 3 ft 3.7 in (120 mm) (85 mm) (1010 mm)
Filters	
Suction filter	105 µm
Return filter	6 µm
Pilot line filter	8 µm

### HYDRAULIC CONTROLS

Boom/Arm/Bucket/Swing	Command pressure control system (ISO control pattern)
Travel	Command pressure control system
Work mode selection	
1 - SP – mode	
2 - H – mode	
3 - Mode Auto	
Travel mode selection(2 speeds)	
Attachment cushion control	
Hydraulic lock(door block, left side tilt console)	

### MONITOR SYSTEM

1 - Message display (warning, adjustments, etc...)
2 - Work mode display (SP, H, Auto)
3 - Machine state (power multiplier, etc...)
4 - Alarm and buzzer display
5 - Water temperature
6 - Hydraulic oil temperature
7 - Fuel level
8 - Diagnose System

## OPERATOR'S ENVIRONMENT

### Operator's cabin

- 1 - Round shaped cabin with a smooth design
- 2 - Safety glass on all windows
- 3 - Impact-proof cabin suspension for 4 point fluid mounting
- 4 - Sliding front window with automatic lock
- 5 - Full color LCD screen included
- 6 - Windscreen wipers and washer
- 7 - AM/FM radio with automatic tuner
- 8 - Floor carpet
- 9 - Ceiling hatch of polycarbonate and sun protective
- 10 - Automatic air conditioning
- 11 - Top FOPS defense level 1 (on the cabin's structure)
- 12 - Rollover protection structure (ROPS)
- 13 - Noise level
  - Internal 72 dBa (According to ISO 6396)
  - External 101 dBa (According to ISO 6395)

### Operator's seat

Low frequency mechanic suspension with helical spring and double acting hydraulic damper.

With the following characteristics:

- 1 - Manual weight adjustment
- 2 - Backrest angle adjustment
- 3 - Seat height adjustment, adjustable armrest attached to the consoles
- 4 - Adjustable headrest
- 5 - Retractable seatbelt
- 6 - Adjustable back support
- 7 - The control consoles are adjusted independently from the seat

### Other

- 1 - Rear view mirror (cabin side and right side)

## UNDERCARRIAGE

Travel engine	Axial piston motor with variable piston displacement
Brake	SAHR type
Hydraulic service brake	Brake valve
Final drive	Planetary gear reduction
Travel speeds	
High	3.4 mph (5,6 km/h) (automatic speed change)
Low	2.1 mph (3,4 km/h)
Drawbar push	42264 lbf (188 kN)
Number of upper rollers	2 (on each side)
Number of lower rollers	8 (on each side)
Number of shoes	49 (on each side)
Type of shoes	Triple grousers
Link pitch	7.5 in (190 mm)
Shoes width - STD	1' 11" (600 mm)
Grade-ability	70 % (35 °)

## OPERATING WEIGHT

Operating weight	51738 lb (23468 kg)
With 8' (2,45 m) arm, HD 1.9 yd <sup>3</sup> (1.5 m <sup>3</sup> ) bucket, 1' 11" (600 mm) shoes, operator, lubricant, coolant and full fuel tank	
Shipping weight	50845 lb (23063 kg)
Operating weight - [Operator's weight 165 lb (75kg) + 90 % of fuel weight]	
Counterweight	9920 lb (4500 kg)
Ground pressure	6.8 psi (0.48 kg/cm <sup>2</sup> )
With 8' (2,45 m) arm, 1.9 yd <sup>3</sup> (1.5 m <sup>3</sup> ) bucket, 1' 11" (600 mm) shoes	

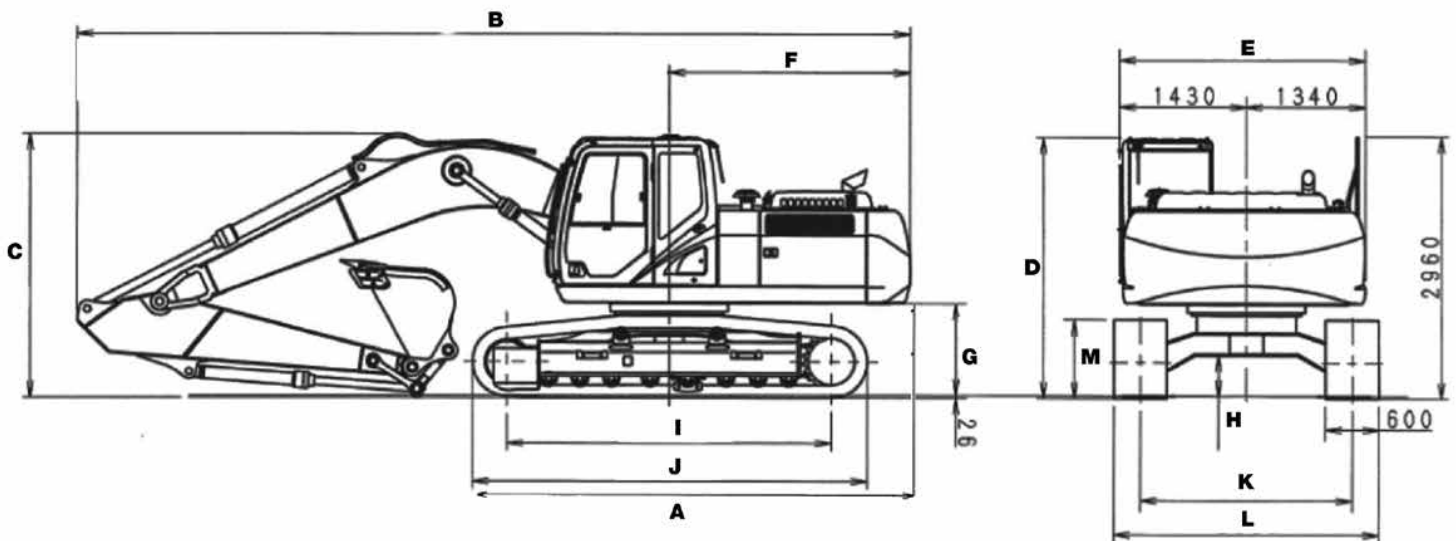
## DIGGING FORCE WITH 1.96 yd<sup>3</sup> (1,5 m<sup>3</sup>) BUCKET

ISO 6015	8 ft (2.45 m)
Arm	28101 lbf (125 kN)
Digging Force	
With auto power-up	30124 lbf (134 kN)
Bucket	35295 lbf (157 kN)
Digging Force	
With auto power-up	37768 lbf (168 kN)

## COMPONENTS WEIGHT

Track shoes		
2' (600 mm)		6195 lb (2810 kg)
2' 3.5" (700 mm)		6795 lb (3082 kg)
2' 7.4" (800 mm)		7395 lb (3354 kg)

## TRANSPORT DIMENSIONS

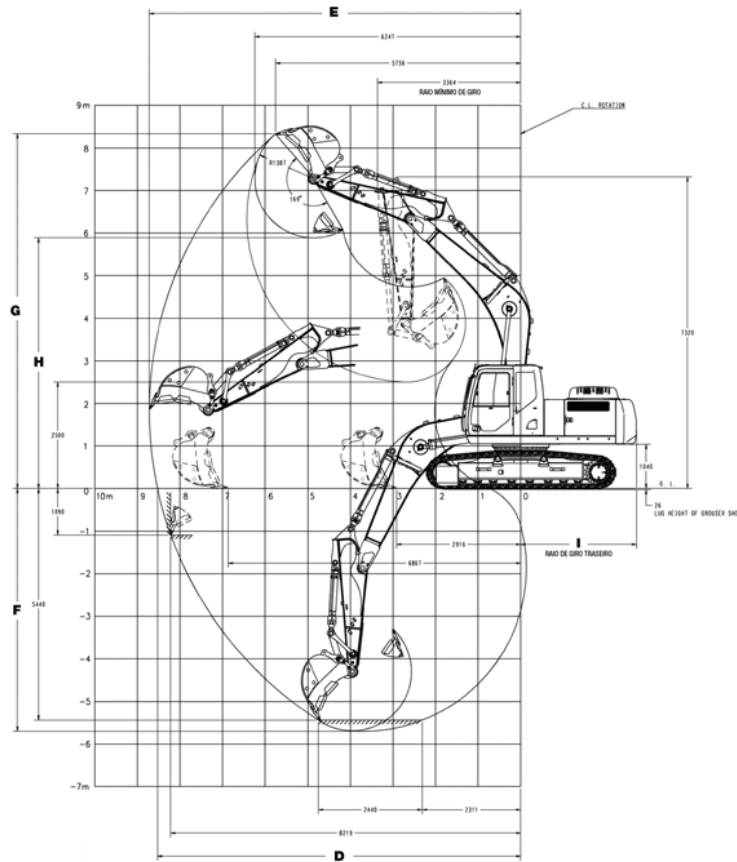


## DIMENSIONS

Arm	8 ft (2.45 m)
A. Total length (without accessory)	16' 2.8" (4950 mm)
B. Total length (with accessory)	29' 8" (9020 mm)
C. Total height (with accessory)	11' 7" (3510 mm)
D. Cabin height	9' 8.1" (2950 mm)
E. Upper structure total width	9' (2735 mm)
F. Swing radius	9' 1" (2750 mm)
G. Clearance height under upper structure	3' 4.9" (1040 mm)
H. Minimum distance to ground	1' 5.3" (440 mm)
I. Distance between shafts (from center to center of the wheels)	12' (3660 mm)
J. Full track length	14' 7.9" (4470 mm)
K. Track gauge	7' 10" (2390 mm)
L. Undercarriage overall width with 1' 11" (600 mm) shoes	9' 9.7" (2990 mm)
M. Crawler track height	3' (920 mm)

## WORK RANGE CHART

LEVEL EXCAVATION WITH 8' (2,45 m) ARM



## WORK RANGE

	8 ft (2.45 m)
A. Boom	16' 11" (5160 mm)
B. Bucket radius	4' 7" (1387 mm)
C. Bucket pivot action	169°
D. Maximum reach at ground level	28' (8530 mm)
E. Max. reach	28' 8" (8725 mm)
F. Max. digging depth	18' 9" (5702 mm)
G. Max. digging height	27' 5" (8335 mm)
H. Max. dumping height	19' 4" (5889 mm)
I. Swing radius (back end)	9' (2750 mm)

## SYSTEM FLUIDS CAPACITIES AND SPECIFICATIONS

	Capacities	Specifications
Hydraulic system	63.4 gal (240 l)	ISO VG 46
Hydraulic tank	38.8 gal (147 l)	ISO VG 46
Fuel tank	108.3 gal (410 l)	(Diesel)
Cooling system	8.13 gal (30,8 l)	Coolant 55 %, Water 45 %
Final drive case (on each side)	1.32 gal (5,0 l)	API GL-4 90
Swing drive case	1.32 gal (5,0 l)	API GL-5 90
Engine housing (with remote oil filter)	4 gal (16 l)	SAE 15W40 API CI-4

### NOTE:

- 1 - Case Construction is constantly improving its products and therefore it reserves the right to modify its design and specifications at any time.
- 2 - The graphics may include optional units and may not include all the standard units.
- 3 - These specifications refer to the ISO 7135 standard (Land machinery – hydraulic excavators – Terminology and commercial specifications) second edition date 12/15/2009

## LIFT CAPACITY

### 8 ft (2.45 m) Arm

	0 m (0 ft)		1,5 m (4 ft 11 in)		3,0 m (9 ft 10 in)		4,5 m (14 ft 9 in)		6,0 m (19 ft 8 in)		7,5 m (24 ft 7 in)		9,0 m (25 ft 6 in)		MAXIMUM REACH		ft (m)	
	FRONT	SIDE	FRONT	SIDE	FRONT	SIDE	FRONT	SIDE	FRONT	SIDE	FRONT	SIDE	FRONT	SIDE	FRONT	SIDE		
7,5 m (24 ft 7 in)																		
6,0 m (19 ft 8 in)									*5685 kg (12534 lb)	5267 kg (11612 lb)					*5689 kg (12543 lb)	5248 kg (11570 lb)	6010 mm (19' 8,5")	
4,5 m (14 ft 9 in)							*6499 kg (14328 lb)	*6499 kg (14328 lb)	*5850 kg (12898 lb)	5173 kg (11405 lb)					*5755 kg (12688 lb)	4165 kg (9183 lb)	6830 mm (22' 4,8")	
3,0 m (9 ft 10 in)							*8103 kg (17865 lb)	7649 kg (16864 lb)	*6507 kg (14346 lb)	4942 kg (10896 lb)					5753 kg (12684 lb)	3675 kg (8102 lb)	7240 mm (23' 9")	
1,5 m (4 ft 11 in)							*9673 kg (21326 lb)	7108 kg (15671 lb)	*7248 kg (15980 lb)	4697 kg (10356 lb)					5526 kg (12183 lb)	3499 kg (7714 lb)	7330 mm (24' 0,4")	
0 m (0 ft)					*10064 kg (22188 lb)	*10064 kg (22188 lb)	*10519 kg (23191 lb)	6808 kg (15010 lb)	7340 kg (16182 lb)	4529 kg (9985 lb)					5707 kg (12582 lb)	3584 kg (7902 lb)	7100 mm (23' 3,4")	
-1,5 m (4 ft 11 in)			*9949 kg (21934 lb)	*9949 kg (21934 lb)	*15344 kg (33828 lb)	*15344 kg (33828 lb)	*10467 kg (23076 lb)	6739 kg (14857 lb)	7289 kg (16070 lb)	4485 kg (9888 lb)					6445 kg (14209 lb)	4012 kg (8845 lb)	6530 mm (21' 5,0")	
-3,0 m (9 ft 10 in)					*13264 kg (29243 lb)	*13264 kg (29243 lb)	*9303 kg (20510 lb)	6870 kg (15146 lb)							*7308 kg (16112 lb)	5191 kg (11445 lb)	5500 mm (18' 0,4")	
-4,5 m (14 ft 9 in)																		

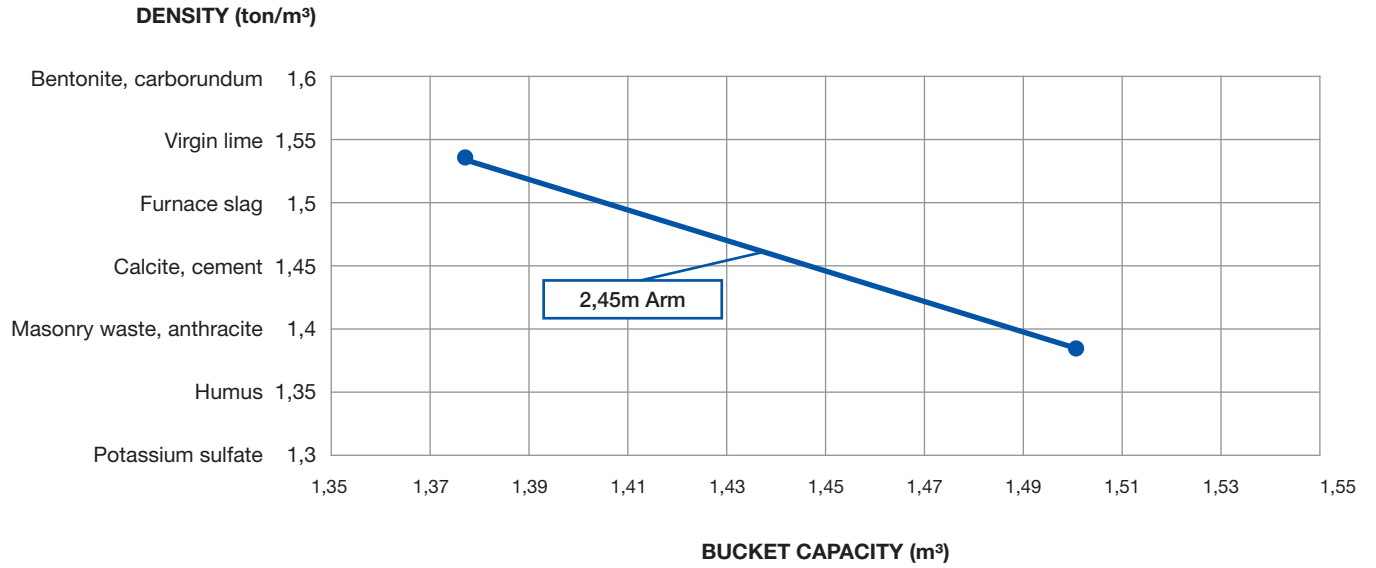
Nota: Machine in AUTO work mode - The loads are adopted according to the standard SAE J1097 ISO 10567D DIN 150 19-2 - The load capacities in kg indicated do not exceed the 75% of the tipping load or 87% the hydraulic elevation capacity - capacities marked with an asterisk ( \* ) are limited by the hydraulic capacity.

## BUCKET INFORMATION

### CX240C ME

BUCKET	CAPACITY yd <sup>3</sup> (m <sup>3</sup> )	WIDTH ft in (mm)	WEIGHT lb (kg)	NUMBER OF TEETH
GD (NW)	2.22 (1.7)	4' 7,8" (1420)	2270 (1030)	6
HD (NW)	1.83 (1.4)	3' 11,5" (1210)	2998 (1360)	5
HD (WD)	1.96 (1.5)	5' 5" (1649)	3135 (1422)	7

Note: HD – Heavy Duty  
 GD – General Duty  
 SD – Severe Duty  
 WD – Wide  
 NW – Narrow



## SERIES EQUIPMENT

### Operator's compartment

Pressurized cabin with round shape and smooth design  
 Safety glass on all windows  
 Impact-proof cabin suspension for 4 cushion hydraulic mounting  
 Sliding front window with automatic block  
 Full color LCD screen included  
 Windscreen wipers and washer  
 AM/FM radio with automatic tuner  
 Floor carpet  
 Ceiling hatch of polycarbonate and sun protection  
 Automatic air conditioning  
 Top FOPS defense level 1 (on the cabin's structure)  
 Rollover protection structure (ROPS)  
 Operator's seat with low frequency mechanical suspension with helical dumper and double acting hydraulic dumper, manual weight adjustment, back angle adjustment, adjustable armrest height attached to the consoles, adjustable headrest, retractable seatbelt and adjustable back support.  
 The control consoles are adjusted independently from the seat  
 Rear mirror  
 Double horn  
 Travel alarm  
 Joystick-like levers to control hydraulic functions  
 Safety levers to neutralize hydraulic functions and start the engine

### Engine

4-stroke engine, water-cooled, 6 cylinder – common rail injection system, turbocharged with air-cooled intercooler, with tier 3 emission certification.

### Electrical System

Wiring with waterproof connectors  
 Battery 2 x 12V 100 Ah/5HR  
 Voltage 24 V  
 Alternator 90 A  
 Starter engine 5,0 kW

### Hydraulic System

With ISO control pattern  
 Work mode selection Auto, H and SP  
 Auxiliary accessory mode  
 Auto power up  
 2 variable flow pumps  
 Electronic flow control  
 Cylinders with end cushioning  
 1 pump for the pilot system  
 8' (2.45 m) long arm

### Undercarriage

Travel speeds  
 High 3.4 mph (5,6 km/h)  
 Automatic speed change  
 Low 2.1 mph (3,4 km/h)  
 Quantity of transport rollers:  
 Quantity of upper rollers 2 (on each side)  
 Quantity of lower rollers 8 (on each side)  
 Number of shoes 49 (on each side)  
 Shoes width 1' 11" (600 mm)  
 Type of shoes Triple grousers  
 Track length 14' 7" (4470 mm)  
 Track gauge 7' 10" (2390 mm)  
 Track guide Simple  
 Sealed and lubricated chains



ISO Conformitie

ROPS	12117-2:2008
FOPS level 1	10262:1998
Seat belt	6683:2005
Operator's seat	11112:1995
Seat vibration	7096:2000
Operator's primary controls, functional information, symbols for operator controls and other displays	10968:2004 / 6011:2003 6405-1:2004 / 6405-2:1993 / 6682:1995
Machine-control systems	15998:2008
Visibility	5006:2006 14401-1:2004 / 14401-2:2004
Sound level	Internal 6396:2008 External 6395:2008
Ground contact pressure	16754:2008
Digging force	6015:2006
Terminology and commercial specifications	7135:2009
Lift capacity	10567:2007

## OPTIONAL EQUIPMENT

### Cabin

Seat with air suspension  
 2 options for front stone protection  
 Level 2 FOPS superior protection  
 Rain deflector  
 Sun screen

### Accessories

9' 7" (2,94 m) long arm  
 Heavy Duty bucket and link with hook  
 Tropical cooling  
 Six options for auxiliary accessory  
 Rubber fender protector  
 Additional handrails Rh + Lh  
 Safety valve for the boom

### Undercarriage

2' 3.5" (700 mm), 2' 7.5" (800 mm) shoes  
 Triple track guide

### Other

Back camera  
 Side view camera  
 Refueling pump  
 Aux. Hydraulic  
 Aux. Low fluid hydraulic



Fleet monitoring and management system by satellite or cel phone tracking.

CASE Corporation reserves the right to make improvements in design or changes in specifications at any time without incurring any obligation to install them on units previously sold. The specifications, descriptions, and illustrative materials contained here reflect correctly the data known up to the publication date, but are subject to changes with no previous notice. The illustrations may include optional equipment and accessories and may not include all standard equipment.

CCEI0115 – 03/2022 – Printed in Brazil

**CaseCE.com**



### Manufacturing plants

Contagem – Minas Gerais – Brasil  
 Av. General David Sarnoff, 2.237  
 Inconfidentes – C.P. 32210-900  
 Tel.: +55 31 2104-3392

Sorocaba – São Paulo – Brasil  
 Av. Jerome Case, 1.801  
 Éden – C.P. 18087-220  
 Tel.: +55 15 3334-1700