

HYDRAULIC EXCAVATOR

CASE

CONSTRUCTION

SINCE 1842.

CX250C

ENGINE

Brand	ISUZU
Model	GH-4HK1X
Type	Water-cooled, diesel cycle, 4 stroke, 4 cylinders in line, high pressure common rail system (electronic control) turbocharged with air-cooled intercooler. This engine has Tier 3 emission certification.

Rating power	
Gross (ISO 14396)	187.7 hp (140,0 kW) @ 2000 rpm
Net (SAE J1349, ISO 9249)	177.1 hp (132,1 kW) @ 2000 rpm
Piston displacement	5193 cc

Maximum torque	
Gross (ISO 14396)	474.25 lbf.ft (643 Nm) @ 1800 rpm
Net (SAE J1349, ISO 9249)	458.76 lbf.ft (622 Nm) @ 1800 rpm

Bore and stroke	4.5 x 4.9 in (115 x 125 mm)
Voltage	24 V
Alternator	50 A
Starter	24 V 5,0 kW

ELETRICAL SYSTEM

Engine control	
1 - Dial type throttle control type acceleration control	
2 - One Touch Idle / automatic deceleration / automatic idling shutdown system	
3 - Emergency stop	

Lights	
1 - Working lights	
Top	24 V 70 W X 1
Boom	24 V 70 W X 2
Cab	24 V 70 W X 2
2 - Operator's	
Cabin compartment	24 V 10 W X 1

Battery	2 X 12 V 92 Ah/5hr
Safety	
1 - Travel alarm	
2 - Double horn	
Wiring	Waterproof connectors

HYDRAULIC SYSTEM

Main pumps	2 axial piston pumps and variable flow with adjustment system
1 - Max. oil flow @ 2000 rpm	2 x 62 gpm (234 l/min)
2 - Work circuit pressure	
Boom/Arm/Bucket	4975 psi (34.3 MPa)
	5337 psi (36.8 MPa) with AUTO power-up
Swing circuit	4191 psi (28.9 MPa)
Travel circuit	4975 psi (34.3 MPa)
Pilot pump	1 gear pump
1 - Max. oil flow	5.28 gpm (20 l/min.)
2 - Working circuit pressure	565.64 psi (3.9 MPa)

Control Valve	With boom and arm retention valve. One 4-spool valve for the acceleration of the arm, boom, bucket and movement of the right track. One 5-spool valve for the movement of the left track, auxiliary, swing, arm, and boom acceleration.
---------------	---

Swing device	
1 - Motor	Axial piston motor with fixed displacement
2 - Brake	SAHR type
3 - Final drive	Planetary gear reduction
4 - Turn table bearing	Ball bearing type with internal gear
5 - Max. swing speed	11 rpm
6 - Swing torque	55243 lbf.ft (74900 Nm)

Cylinder Qty	Diam. Bore X	Diam. Rod X	Stroke
Boom	2 5.1 in X (130 mm)	3.5 in (90 mm)	X 4 ft 4.5 in (1335 mm)
Arm	1 5.7 in X (145 mm)	4.1 in (105 mm)	X 5 ft 5.3 in (1660 mm)
Bucket	1 5.1 in X (130 mm)	3.5 in (90 mm)	X 3 ft 6 in (1070 mm)

Filters	
Suction filter	105 µm
Return filter	6 µm
Pilot line filter	8 µm

HYDRAULIC CONTROLS

Boom/Arm/Bucket/Swing	Pilot pressure control system (ISO pattern control)
Travel	Pilot pressure control system

Work mode select	
1 - Mode - SP	
2 - Mode - H	
3 - Mode - Auto	

Travel mode selection	(2 speeds)
-----------------------	------------

Attachment cushion control	
Hydraulic lock	(door block, left side tilt console)

MONITOR SYSTEM

Monitoring system	
1 - Message screen (Warning, Situation, etc...)	
2 - Work mode screen (SP, H, Auto)	
3 - Machine condition (Power boost, etc...)	
4 - Alarm and buzzer screen	
5 - Water temperature	
6 - Hydraulic oil temperature	
7 - Fuel level	
8 - Diagnose system	

COOLING SYSTEM

Fan	2' 1.5" (650 mm) with 7 blades
Radiator capacity	142 hp (105.9 kW)
Fins type	Corrugated fin (Wave type)
Fin space	0,07 in (1.75 mm)
Long-life coolant	55% coolant, 45% water
Oil cooler capacity	72.5 hp (54.1 kW)
Intercooler capacity	22.4 hp (16.7 kW)
Fins type	Straight
Fin space	0,07 in (1.75 mm)
Fuel cooler capacity	1.74 hp (1.3 kW)
Fins type	Corrugated fin (Wave type)
Fin space	0.08 in (2 mm)

OPERATOR'S ENVIRONMENT

Operator's cabin

- 1 - Pressurized cabin with round shape and smooth design
- 2 - Safety glass on all windows
- 3 - Cabin suspension through 4 hydraulic dampers
- 4 - Sliding front window with automatic block
- 5 - Color LCD screen
- 6 - Membrane switch on monitor display
- 7 - Windscreen wipers and washer
- 8 - AM/FM radio with automatic tuner
- 9 - Floor carpet
- 10 - Ceiling hatch of polycarbonate and sun protective
- 11 - Automatic air conditioning
- 12 - Top FOPS defense level 1 (on the cabin's structure)
- 13 - Rollover protection structure (ROPS)
- 14 - Noise level
Internal 70 dBa (According to ISO 6396)

OPERATOR'S SEAT

Low frequency mechanical suspension with helical spring and double acting hydraulic damper.
(Achieving the EM 6 category in ISO 7096)

With the following characteristics

- 1 - Manual weight adjustment
- 2 - Backrest angle adjustment
- 3 - Seat height adjustment
- 4 - Adjustable armrest attached to the consoles
- 5 - Adjustable headrest
- 6 - 3" Retractable seatbelt
- 7 - Adjustable back support
- 8 - The control consoles are adjusted independently from the seat

Other

- 1 - Rear view mirror (cabin side and right side)

UNDERCARRIAGE

Travel motor	Axial piston motor with variable piston displacement
Brake	SAHR type
Hydraulic service brake	Brake valve
Final drive	Planetary gear reduction
Travel speeds	
High	3.4 mph (5.5 km/h) (automatic speed change)
Low	2.1 mph (3.5 km/h)
Drawbar Pull	45186 lbf (201 kN)
Number of upper rollers	2 (on each side)
Number of lower rollers	9 (on each side)
Number of shoes	51 (on each side)
Type of shoes	Triple grousers
Link pitch	7.5" (190 mm)
Shoes width - STD	1' 11" (600 mm)
Grade-ability	70% (35°)

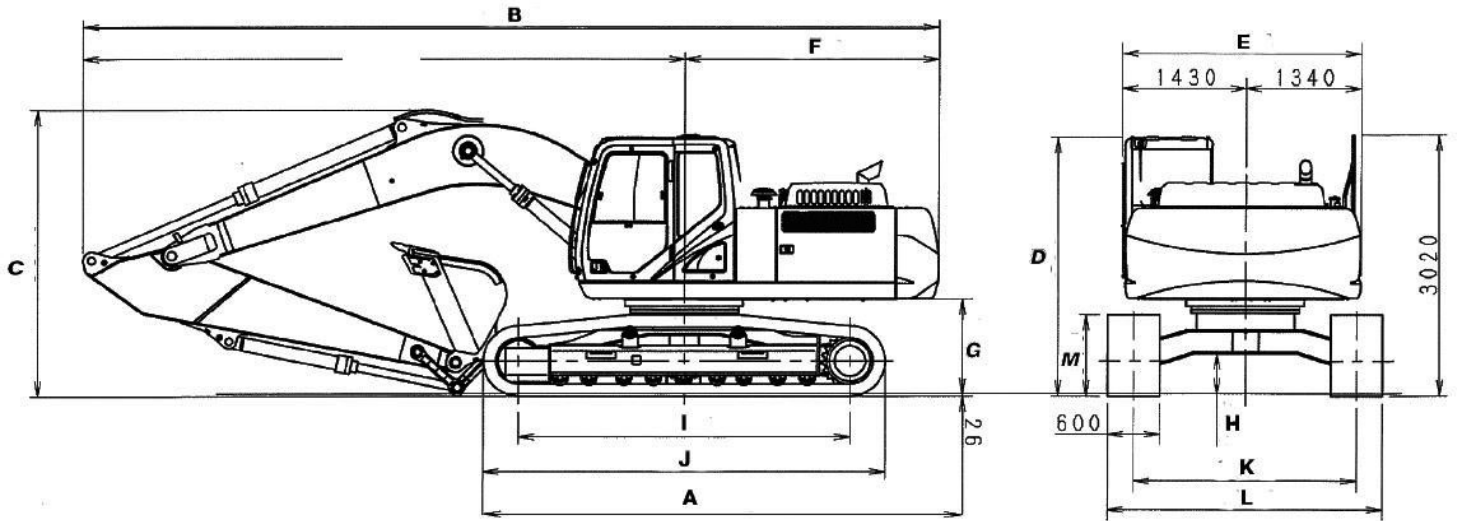
OPERATING WEIGHT

Operating weight	55777 lb (25300 kg)
With 10 ft (3,0 m) arm, 1.5 yd ³ (1,1 m ³) bucket, 1' 11" (600 mm) shoes, operator, lubricant, coolant and full fuel tank	
Shipping weight	52911 lb (24000 kg)
Operating weight – Operator's weight 165 lb (75 kg) + 90% of the fuel weight 674 lb (306 kg) + bucket weight 1940 lb (880 kg)	
Counterweight	11905 lb (5400 kg)
Ground pressure	7.4 psi (0.051 MPa)
With 10 ft (3,0 m) arm, 1.5 yd ³ (1,1 m ³) bucket, 1' 11" (600 mm) shoes	

DIGGING FORCE WITH 1.4 YD³ (1,1 m³) BUCKET

ISO 6015	10 ft (3,0 m)	8 ft (2,5 m)	12 ft (3,5 m)
Arm digging force	26977 lbf (120 kN)	31698 lbf (141 kN)	24054 lbf (107 kN)
With auto power-up	29000 lbf (129 kN)	33946 lbf (151 kN)	25853 lbf (115 kN)
Bucket digging force	36419 lbf (162 kN)	36419 lbf (162 kN)	36419 lbf (162 kN)
With auto power-up	39116 lbf (174 kN)	39116 lbf (174 kN)	39116 lbf (174 kN)

TRANSPORT DIMENSIONS

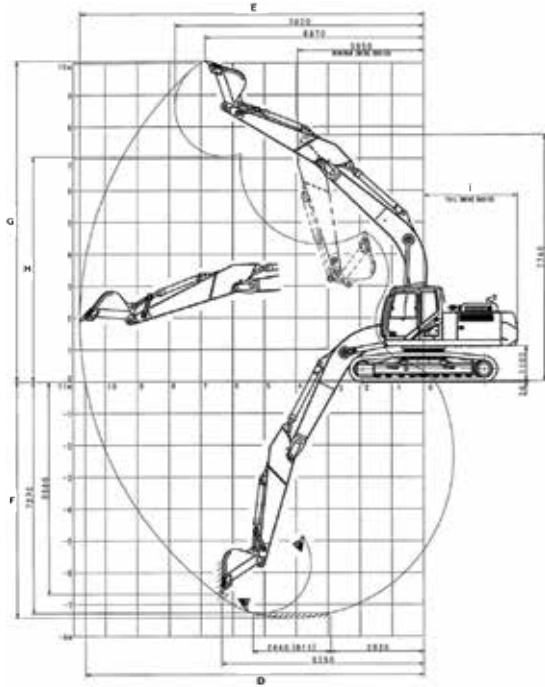


DIMENSIONS

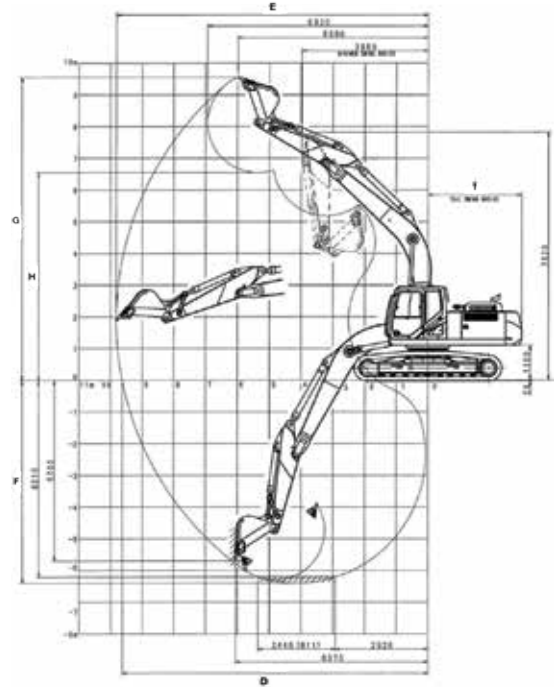
Arm	10 ft (3,0 m)	8 ft (2,5 m)	12 ft (3,5 m)
A. Total length (without accessory)	17' 3.4" (5270 mm)	17' 3.4" (5270 mm)	17' 3.4" (5270 mm)
B. Total length (with accessory)	32' 6.9" (9930 mm)	32' 6.9" (9980 mm)	32' 6.1" (9910 mm)
C. Total height (with accessory)	10' 4" (3150 mm)	10' 10" (3310 mm)	10' 10" (3310 mm)
D. Cab height	9' 10" (3000 mm)	9' 10" (3000 mm)	9' 10" (3000 mm)
E. Upper structure total width	9' 1" (2770 mm)	9' 1" (2770 mm)	9' 1" (2770 mm)
F. Swing radius	9' 8.1" (2950 mm)	9' 8.1" (2950 mm)	9' 8.1" (2950 mm)
G. Clearance height under upper structure	3' 7.3" (1100 mm)	3' 7.3" (1100 mm)	3' 7.3" (1100 mm)
H. Minimum ground clearance	1' 5.2" (440 mm)	1' 5.2" (440 mm)	1' 5.2" (440 mm)
I. Distance between shafts (from center to center of the wheels)	12' 7.1" (3840 mm)	12' 7.1" (3840 mm)	12' 7.1" (3840 mm)
J. Crawler overall length	15' 3" (4650 mm)	15' 3" (4650 mm)	15' 3" (4650 mm)
K. Track gauge	8' 6" (2590 mm)	8' 6" (2590 mm)	8' 6" (2590 mm)
L. Undercarriage overall width with 1' 11" (600 mm) shoes	10' 5.5" (3190 mm)	10' 5.5" (3190 mm)	10' 5.5" (3190 mm)
M. Crawler track height	3' 1" (940 mm)	3' 1" (940 mm)	3' 1" (940 mm)

PERFORMANCE INFORMATION

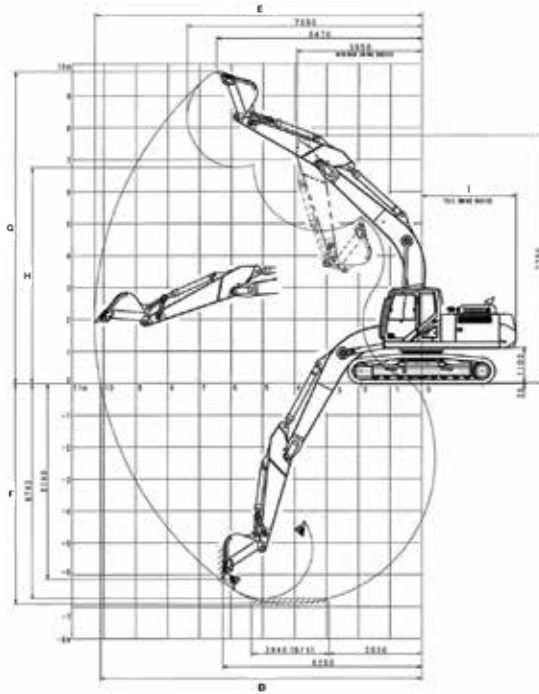
LEVEL EXCAVATION WITH 12' (3,5 M) ARM



LEVEL EXCAVATION WITH 8' (2,5 M) ARM



LEVEL EXCAVATION WITH 10' (3,0 M) ARM



Arm HD	10 ft (3,0 m)	8 ft (2,5 m)	12 ft (3,5 m)
A. Boom length	19' 2.3" (5850 mm)	19' 2.3" (5850 mm)	19' 2.3" (5850 mm)
B. Bucket radius	5' 2.2" (1580 mm)	5' 2.2" (1580 mm)	5' 2.2" (1580 mm)
C. Bucket rotation	175°	175°	175°
D. Maximum reach at ground level	33' 1.6" (10100 mm)	31' 7.1" (9630 mm)	34' 10" (10620 mm)
E. Max. reach	33' 8.7" (10280 mm)	32' 2.6" (9820 mm)	35' 4.8" (10790 mm)
F. Max. digging depth	22' 7.6" (6900 mm)	20' 11" (6400 mm)	24' 4.1" (7420 mm)
G. Max. digging height	32' (9760 mm)	31' 4.3" (9560 mm)	33' (10070 mm)
H. Max. dumping height	22' 2.1" (6760 mm)	21' 5.8" (6550 mm)	23' 1.9" (7060 mm)

SERVICE CAPACITIES AND SPECIFICATIONS

	Capacities	Specifications
Hydraulic system	66 gal (250 l)	ISO VG 46
Hydraulic tank	38.8 gal (147 l)	ISO VG 46
Fuel tank	108.3 gal (410 l)	(Diesel)
Cooling system	7.9 gal (30.2 l)	Coolant 55% 45% water
Final drive case (on each side)	1.3 gal (5 l)	API GL-4 90
Swing drive case	2.5 gal (9.7 l)	API GL-5 90
Engine crank case (with remote oil filter)	6.1 gal (23.1 l)	API CD SAE 10W-30

BUCKET INFORMATION

CX250C – ISO

BUCKET	CAPACITY yd ³ (m ³)	WIDTH in (mm)	WEIGHT lb (kg)	NUMBER OF TEETH
HD (SC)	1.72 (1.32)	4' 2" (1270,00)	2650 (1202)	6
HD (SC)	1.96 (1.50)	4' 8" (1422,40)	2875 (1304)	6
HD (HC)	1.88 (1.44)	4' 2" (1270,00)	2749 (1247)	6
HD (HC)	2.14 (1.64)	4' 8" (1422,40)	2949 (1338)	6

Note: HD (Heavy Duty)
 SC (Standard Capacity)
 HC (High Capacity)

LIFT CAPACITY

Arm 8 ft (2.5 m), Bucket 1.5 yd³ (1.10 m³)

	0 ft (0 m)		5 ft (1.5 m)		10 ft (3 m)		15 ft (4.5 m)		20 ft (6 m)		25 ft (7.5 m)		30 ft (9 m)		MAXIMUM REACH		ft (m)	
	FRONT	SIDE	FRONT	SIDE	FRONT	SIDE	FRONT	SIDE	FRONT	SIDE	FRONT	SIDE	FRONT	SIDE	FRONT	SIDE		
25 ft (7.5 m)												9105 lb (4130 kg)*	9105 lb (4130 kg)*			7562 lb (3430 kg)*	7562 lb (3430 kg)*	25 ft 07 in (7.64 m)
20 ft (6 m)												11750 lb (5330 kg)*	9920 lb (4500 kg)			7187 lb (3260 kg)*	7187 lb (3260 kg)*	28 ft 3 in (8.61 m)
15 ft (4.5 m)							13823 lb (6270 kg)*	13823 lb (6270 kg)*	14660 lb (6650 kg)*	13999 lb (6350 kg)		13272 lb (6020 kg)*	9612 lb (4360 kg)	9590 lb (4350 kg)*	6834 lb (3100 kg)	7143 lb (3240 kg)*	6547 lb (2970 kg)	30 ft 1 in (9.18 m)
10 ft (3 m)					27734 lb (12580 kg)*	27734 lb (12580 kg)*	22310 lb (10120 kg)*	21186 lb (9610 kg)	17306 lb (7850 kg)*	13360 lb (6060 kg)	13999 lb (6350 kg)	9215 lb (4180 kg)	10273 lb (4660 kg)	6658 lb (3020 kg)	7319 lb (3320 kg)*	6062 lb (2750 kg)		30 ft 11 in (9.44 m)
5 ft (1.5 m)							26698 lb (12110 kg)*	19665 lb (8920 kg)	17306 lb (7850 kg)*	12610 lb (5720 kg)	13624 lb (6180 kg)	8840 lb (4010 kg)	10075 lb (4570 kg)	6481 lb (2940 kg)	7716 lb (3500 kg)*	5952 lb (2700 kg)		30 ft 10 in (9.42 m)
0 ft (0 m)					18739 lb (8500 kg)*	18739 lb (8500 kg)*	29608 lb (13430 kg)*	18761 lb (8510 kg)	18827 lb (8540 kg)	12059 lb (5470 kg)	13294 lb (6030 kg)	8532 lb (3870 kg)	9943 lb (4510 kg)	6349 lb (2880 kg)	8421 lb (3820 kg)*	6173 lb (2800 kg)		30 ft 06 in (9.16 m)
- 5 ft (- 1.5 m)			21252 lb (9640 kg)*	21252 lb (9640 kg)*	26654 lb (12090 kg)*	26654 lb (12090 kg)*	29453 lb (13360 kg)*	18651 lb (8460 kg)	18805 lb (8530 kg)	11861 lb (5380 kg)	13183 lb (5980 kg)	8443 lb (3830 kg)			9700 lb (4400 kg)*	6812 lb (3090 kg)		28 ft 3 in (8.63 m)
- 10 ft (- 3 m)			26698 lb (12110 kg)*	26698 lb (12110 kg)*	38514 lb (17470 kg)*	37456 lb (16990 kg)*	28065 lb (12730 kg)*	18915 lb (8580 kg)	18959 lb (8600 kg)	12037 lb (5460 kg)	13448 lb (6100 kg)	8708 lb (3950 kg)			10009 lb (4540 kg)*	8091 lb (3670 kg)		25 ft 6 in (7.79 m)
- 15 ft (- 4.5 m)			38514 lb (17470 kg)*	38514 lb (17470 kg)*	34193 lb (15510 kg)*	34193 lb (15510 kg)*	24074 lb (10920 kg)*	19533 lb (8860 kg)	17108 lb (7760 kg)	12654 lb (5740 kg)					14197 lb (6440 kg)	10824 lb (4910 kg)		21 ft 5 in (6.53 m)

Arm 10 ft (3 m), Bucket 1.5 yd³ (1.10 m³)

	0 ft (0 m)		5 ft (1.5 m)		10 ft (3 m)		15 ft (4.5 m)		20 ft (6 m)		25 ft (7.5 m)		30 ft (9 m)		MAXIMUM REACH		ft (m)	
	FRONT	SIDE	FRONT	SIDE	FRONT	SIDE	FRONT	SIDE	FRONT	SIDE	FRONT	SIDE	FRONT	SIDE	FRONT	SIDE		
25 ft (7.5 m)												9149 lb (4150 kg)*	9149 lb (4150 kg)*			5225 lb (2370 kg)*	5225 lb (2370 kg)*	27 ft (8.23 m)
20 ft (6 m)												10582 lb (4800 kg)*	10207 lb (4630 kg)	6239 lb (2830 kg)*	6239 lb (2830 kg)*	4960 lb (2250 kg)*	4960 lb (2250 kg)*	29 ft 11 in (9.12 m)
15 ft (4.5 m)									13624 lb (6180 kg)*	13624 lb (6180 kg)*	5640 kg)	9876 lb (4480 kg)	9854 lb (4470 kg)*	7054 lb (3200 kg)	4916 lb (2230 kg)*	4916 lb (2230 kg)*		31 ft 8 in (9.66 m)
10 ft (3 m)					29608 lb (13430 kg)*	29608 lb (13430 kg)*	21430 lb (9720 kg)*	21318 lb (9670 kg)	16424 lb (7450 kg)*	13712 lb (6220 kg)	13845 lb (6280 kg)*	9017 lb (4090 kg)	10472 lb (4750 kg)	6834 lb (3100 kg)	5048 lb (2290 kg)*	5048 lb (2290 kg)*		32 ft 5 in (9.90 m)
5 ft (1.5 m)					20701 lb (9390 kg)*	20701 lb (9390 kg)*	26499 lb (12020 kg)*	20216 lb (9170 kg)	19070 lb (8650 kg)*	12897 lb (5850 kg)	13823 lb (6270 kg)*	9458 lb (4290 kg)	10229 lb (4640 kg)	6614 lb (3000 kg)	5357 lb (2430 kg)*	5357 lb (2430 kg)*		32 ft 5 in (9.89 m)
0 ft (0 m)					20392 lb (9250 kg)*	20392 lb (9250 kg)*	29277 lb (13280 kg)*	19070 lb (8650 kg)	19290 lb (8750 kg)	12279 lb (5570 kg)	13448 lb (6100 kg)	6459 lb (2930 kg)	10031 lb (4550 kg)	6437 lb (2920 kg)	5864 lb (2660 kg)*	5754 lb (2610 kg)		31 ft 7 in (9.64 m)
- 5 ft (- 1.5 m)			19577 lb (8880 kg)*	19577 lb (8880 kg)*	26014 lb (11800 kg)*	26014 lb (11800 kg)*	29696 lb (13470 kg)*	18717 lb (8490 kg)	18915 lb (8580 kg)	11949 lb (5420 kg)	13227 lb (6000 kg)	8487 lb (3850 kg)	9171 lb (4160 kg)*	6415 lb (2910 kg)	6746 lb (3060 kg)*	6261 lb (2840 kg)		29 ft 11 in (9.13 m)
- 10 ft (- 3 m)			24162 lb (10960 kg)*	24162 lb (10960 kg)*	34987 lb (15870 kg)*	34987 lb (15870 kg)*	28880 lb (13100 kg)*	18871 lb (8560 kg)	18937 lb (8590 kg)	12015 lb (5450 kg)	13360 lb (6060 kg)	8620 lb (3910 kg)			8289 lb (3760 kg)*	7275 lb (3300 kg)		27 ft 4 in (8.34 m)
- 15 ft (- 4.5 m)			33312 lb (15110 kg)*	33312 lb (15110 kg)*	37544 lb (17030 kg)*	37544 lb (17030 kg)*	25926 lb (11760 kg)*	19356 lb (8780 kg)	18871 lb (8560 kg)*	12478 lb (5660 kg)					11442 lb (5190 kg)	9347 lb (4240 kg)		23 ft 6 in (7.18 m)
- 20 ft (- 6 m)					27050 lb (12270 kg)*	27050 lb (12270 kg)*	18585 lb (8430 kg)*	18585 lb (8430 kg)*							13272 lb (6020 kg)*	13272 lb (6020 kg)*		17 ft 10 in (5.44 m)

Arm 12 ft (3.52 m), Bucket 1.5 yd³ (1.10 m³)

	0 ft (0 m)		5 ft (1.5 m)		10 ft (3 m)		15 ft (4.5 m)		20 ft (6 m)		25 ft (7.5 m)		30 ft (9 m)		MAXIMUM REACH		ft (m)	
	FRONT	SIDE	FRONT	SIDE	FRONT	SIDE	FRONT	SIDE	FRONT	SIDE	FRONT	SIDE	FRONT	SIDE	FRONT	SIDE		
30 ft (9 m)										4938 lb (2240 kg)*	4938 lb (2240 kg)*					4673 lb (2120 kg)*	4673 lb (2120 kg)*	24 ft 10 in (7.57 m)
25 ft (7.5 m)										7275 lb (3300 kg)*	7275 lb (3300 kg)*					4166 lb (1890 kg)*	4166 lb (1890 kg)*	29 ft 0.4 in (8.85 m)
20 ft (6 m)										9546 lb (4330 kg)*	9546 lb (4330 kg)*	7694 lb (3490 kg)*	7297 lb (3310 kg)			3946 lb (1790 kg)*	3946 lb (1790 kg)*	31 ft 9 in (9.68 m)
15 ft (4.5 m)										11376 lb (5160 kg)*	10009 lb (4540 kg)	9458 lb (4290 kg)*	7121 lb (3230 kg)			3902 lb (1770 kg)*	3902 lb (1770 kg)*	33 ft 4 in (10.18 m)
10 ft (3 m)					19334 lb (8770 kg)*	19334 lb (8770 kg)*	21186 lb (9610 kg)*	13889 lb (6300 kg)	12941 lb (5870 kg)*	9546 lb (4330 kg)	10516 lb (4770 kg)	6878 lb (3120 kg)			4012 lb (1820 kg)*	4012 lb (1820 kg)*		34 ft 2 in (10.41 m)
5 ft (1.5 m)					29542 lb (13400 kg)*	29542 lb (13400 kg)*	24736 lb (11220 kg)*	20591 lb (9340 kg)	18078 lb (8200 kg)*	13051 lb (5920 kg)	13889 lb (6300 kg)	9039 lb (4100 kg)	10229 lb (4640 kg)	6614 lb (3000 kg)	4233 lb (1920 kg)*	4233 lb (1920 kg)*		34 ft 1 in (10.40 m)
0 ft (0 m)	9413 lb (4270 kg)*	9413 lb (4270 kg)*	21362 lb (9690 kg)*	21362 lb (9690 kg)*	28329 lb (12850 kg)*	19202 lb (8710 kg)	19334 lb (8770 kg)	12301 lb (5580 kg)	13448 lb (6100 kg)	8642 lb (3920 kg)	9987 lb (4530 kg)	6393 lb (2900 kg)			4629 lb (2100 kg)*	4629 lb (2100 kg)*		33 ft 4 in (10.16 m)
- 5 ft (- 1.5 m)	9413 lb (4270 kg)*	16865 lb (7650 kg)*	24890 lb (11290 kg)*	24890 lb (11290 kg)*	29542 lb (13400 kg)*	18585 lb (8430 kg)	18827 lb (8540 kg)	11861 lb (5380 kg)	13139 lb (5960 kg)	8377 lb (3800 kg)	9854 lb (4470 kg)	6261 lb (2840 kg)			5291 lb (2400 kg)*	5291 lb (2400 kg)*		31 ft 9 in (9.68 m)
- 10 ft (- 3 m)	21627 lb (9810 kg)*	21627 lb (9810 kg)*	31945 lb (14490 kg)*	31945 lb (14490 kg)*	29145 lb (13220 kg)*	18607 lb (8440 kg)	18761 lb (8510 kg)	11816 lb (5360 kg)	13161 lb (5970 kg)	8399 lb (3810 kg)					6393 lb (2900 kg)*	6393 lb (2900 kg)*		29 ft 4 in (8.94 m)
- 15 ft (- 4.5 m)	31570 lb (14320 kg)*	31570 lb (14320 kg)*	40014 lb (18150 kg)*	38426 lb (17430 kg)*	27094 lb (12290 kg)*	18981 lb (8610 kg)	18915 lb (8580 kg)	12125 lb (5500 kg)	13360 lb (6060 kg)	8730 lb (3960 kg)					6305 lb (2860 kg)*	7958 lb (3610 kg)		25 ft 9 in (7.86 m)
- 20 ft (- 6 m)			31570 lb (14320 kg)*	31570 lb (14320 kg)*	21737 lb (9860 kg)*	19444 lb (8820 kg)	14727 lb (6680 kg)*	12544 lb (5690 kg)							12897 lb (5850 kg)*	11508 lb (5220 kg)		20 ft 8 in (6.30 m)

NOTE: Machine in AUTO work mode – The loads are adopted according to the standard SAE J1097 ISO 10567 DIN 150 19-2 – The load capacities in lb (kg) indicated do not exceed the 75% of the tipping load or 87% the hydraulic elevation capacity – capacities 10567 DIN marked with an asterisk (*) are limited by the hydraulic capacity

STANDARD EQUIPMENT

Operator's compartment

Round shaped and smoothly designed
 pressurized cabin
 Safety glass on all windows
 Shock-less cab suspension by 4-point fluid
 mounting
 Sliding front window with automatic lock
 Full color LCD screen included
 Membrane switch on monitor display
 Windscreens wipers and washer
 AM/FM radio with automatic tuner
 Floor carpet
 Ceiling hatch of polycarbonate
 and sun protection
 Automatic air conditioning
 Top FOPS defense level 1
 (on the cabin's structure)
 Rollover protection structure (ROPS)
 Operator's seat with low frequency mechanical
 suspension with helical damper and double
 acting hydraulic damper, manual weight
 adjustment, back angle adjustment, adjustable
 armrest height attached to the consoles,
 adjustable headrest, retractable seatbelt (3")
 and adjustable back support.
 The control consoles are adjusted
 independently from the seat
 Rear mirror
 Double horn
 Travel alarm
 Joystick levers to control hydraulic functions
 Safety levers to neutralize hydraulic functions
 and start of the engine
 Travel pedal with auxiliary levers for
 manual control
 Footrest
 On-board telematics (SiteWatch)

Engine

4-stroke diesel engine, water-cooled,
 4-cylinders-in-line injection system Common
 rail, turbocharged with intercooler, air-cooled
 and tier 3 emission certificate.

Electric system

Wiring with waterproof connectors
 Battery 2 x 12V 92 Ah/5HR
 Voltage 24 V
 Alternator 50 A
 Starter 5,0 kW

Hydraulic system

With ISO control pattern
 Work mode selection Auto, H and SP
 Auxiliary accessory mode
 Auto power up
 2 variable flow pumps
 Electronic flow control
 Cylinders with end cushioning
 1 pump for the pilot system
 10 ft (3.0 m) long arm

Undercarriage

Travel speeds
 High 3.4 mph (5,5 km/h)
 (Automatic speed change)
 Low 2.1 mph (3,5 km/h)
 Quantity of transport rollers:
 Quantity of upper rollers 2 (on each side)
 Quantity of lower rollers 9 (on each side)
 Number of shoes 51 (on each side)
 Shoes width 1' 11" (600 mm)
 Type of shoes Triple grousers
 Track length 15' 3" (4650 mm)
 Track gauge 8' 6" (2590 mm)
 Track guide Triple
 Sealed and lubricated chains



ISO Conformitie

ROPS	12117-2:2008
FOPS level 1	10262:1998
Seat belt	6683:2005
Operator's seat	11112:1995
Seat vibration	7096:2000
Operator's primary controls, functional information, symbols for operator controls and other displays	10968:2004 / 6011:2003
	6405-1:2004 / 6405-2:1993 / 6682:1995
Machine-control systems	15998:2008
Visibility	5006:2006
	14401-1:2004 / 14401-2:2004
Sound level	
Internal	6396:2008
External	6395:2008
Ground contact pressure	16754:2008
Digging force	6015:2006
Terminology and commercial specifications	7135:2009
Lift capacity	10567:2007

OPTIONAL EQUIPMENT

Cabin

Seat with air suspension
 2 options for front stone protection
 Level 2 FOPS superior protection
 Rain deflector
 Sun screen

Accessories

8 ft (2.5 m) and 12 ft (3.5 m) arms
 Heavy Duty bucket and link with hook
 Tropical cooling
 Six options for auxiliary accessory
 Additional handrails Rh + Lh
 Safety valve for the tow bar

Undercarriage

2' 3.5" (700 mm), 2' 7.5" (800 mm)
 and 2' 11" (900 mm) shoes
 Triple track guide

Other

Rear view camera
 Side view camera
 Refueling pump
 Aux. Hydraulic
 Aux. Low fluid hydraulic



SiteWatch™

Fleet monitoring and tracking management system through satellite or mobile phone

Case reserves the right to implement improvements in the project and alterations to the specifications at any time, without prior notice, and not being liable to install them in previously sold units. The specifications, descriptions and graphics correctly reflect the information known to this day in this publication. This information may vary in different regions and may be subject to changes without previous notice. The graphics may include equipment and optional accessories, and may not include all the standard units.

CCEIO056 – 01/2021 – Printed in Brazil

CaseCE.com



Factories

Contagem – Minas Gerais – Brazil
Av. General David Sarnoff, 2.237
Inconfidentes – C.P. 32210-900
Tel.: +55 31 2104-3392

Sorocaba – São Paulo – Brazil
Av. Jerome Case, 1.801
Éden – C.P. 18087-220
Tel.: +55 15 3334-1700