

HYDRAULIC EXCAVATOR

ENGINE

Brand	ISUZU
Model	GH-6HK1XKSS
Type	4-stroke engine, water-cooled, 4 cylinder-in-line common rail injection system, turbocharged with air-cooled intercooler, with tier 3 emission certification
Rating Power	
Net (ISO 9249)	268,2 hp (200 kW) @ 2000 rpm
Gross (ISO 14396)	284,3 hp (212 kW) @ 2000 rpm
Piston displacement	7790 cc
Maximum torque	
Net (ISO 9249)	725.02 lbf.ft (983 Nm) @ 1500 rpm
Gross (ISO 14396)	752.31 lbf.ft (1020 Nm) @ 1500 rpm
Bore and stroke	4.5 x 4.9 in (115 x 125 mm)
Voltage	24 V
Alternator	50 A
Starter engine	24 V 5,0 kW

ELECTRICAL SYSTEM

Engine control	
1 - Quadrant type acceleration control	
2 - Touch idling / automatic deceleration / automatic idling shutdown system	
3 - Emergency shutdown	
Lights	
1 - Work lights	
Top	24V 70W x 1
Boom	24V 70W x 2
Cabin	24V 70W x 2
2 - Operator's	
Cabin compartment	24V 10W x 1
Battery	2 x 12 V 128 Ah/5hr
Safety	
1 - Travel alarm	
2 - Double horn	
Wire harness	Waterproof connectors

HYDRAULIC SYSTEM

Main pumps	2 axial piston pumps and variable flow with adjustment system
1 - Max. flow	2 x 79.25 gpm (300 l/min) @ 2000 rpm
2 - Work circuit pressure	4974 psi (34.3 MPa) 5305 psi (37.3 MPa) with AUTO power-up
Boom/Arm/Bucket	4974 psi (34.3 MPa) 5305 psi (37.3 MPa) with AUTO power up
Swing circuit	4323 psi (30.4 MPa)
Travel circuit	4974 psi (34.3 MPa)
Pilot pump	1 gear pump
1 - Max flow	7.9 gpm (30 l/min)
2 - Work circuit pressure	554.7 psi (3.9 MPa)
Control valves	With boom and arm retention valve. One 4-spool valve for the acceleration of the arm, boom, bucket and movement of the right track. One 5-spool valve for the movement of the left track, auxiliary, oscillation, arm, and boom acceleration
Swing device	
1 - Motor	Axial piston motor and fixed displacement
2 - Brake	Mechanical disk brake
3 - Final control	Epicyclic gear reduction
4 - Turning table bearings	Internal ball bearing
5 - Max. turning speed	10,0 rpm
6 - Turn torque	82.60 lbf.ft (112 Nm)
Cylinder Qty	Diam.Bore x Diam.Rod x Stroke
Boom	2 5.7 in x 3.9 in x 4 ft 10 in (145 mm) (100 mm) (1495 mm)
Arm	1 6.7 in x 4.7 in x 5 ft 7 in (170 mm) (120 mm) (1748 mm)
Bucket	1 5.9 in x 4.1 in x 3 ft 11 in (150 mm) (105 mm) (1210 mm)
Filters	
Suction filter	105 µm
Return filter	6 µm
Pilot line filter	8 µm

HYDRAULIC CONTROLS

Boom/arm/bucket/turn	Pilot pressure control system (ISO standard control)
Travel	Pilot pressure control system
Work mode selection	
1 - Mode SP	
2 - Mode H	
3 - Mode Auto	
Travel mode selection	(2 speeds)
Accessory dampening control	
Hydraulic block	(door block, left side tilt console)

MONITOR SYSTEM

- 1 - Message screen (Warning, Situation, etc.)
- 2 - Work mode (SP, H, Auto)
- 3 - Machine condition (Power boost, etc.)
- 4 - Alarm and buzzer screen
- 5 - Water temperature
- 6 - Hydraulic oil temperature
- 7 - Fuel level
- 8 - Diagnose System

OPERATOR'S ENVIRONMENT

Operator's cabin

- 1 - Round shaped cabin with a smooth design
- 2 - Safety glass on all windows
- 3 - Impactless suspension through 4 hydraulic dampers
- 4 - Sliding front window with automatic block
- 5 - Color LCD screen
- 6 - Membrane switch on the display screen
- 7 - Windscreen wipers and washer
- 8 - AM/FM radio with automatic tuner
- 9 - Floor carpet
- 10 - Ceiling hatch of polycarbonate and sun protection
- 11 - Automatic air conditioning
- 12 - Top OPG defense level 1 (on the cabin's structure)
- 13 - Rollover protection structure (ROPS)
- 14 - Internal noise level 72 dBa (According to ISO 6396)

OPERATOR'S SEAT

Low frequency mechanic suspension with helical spring and double acting hydraulic damper. (Achieving the EM6 category in ISO 7096)

With the following characteristics

- 1 - Manual weight adjustment
- 2 - Back angle adjustment
- 3 - Seat height adjustment, movable armrest attached to the consoles
- 4 - Adjustable headrest
- 5 - 3" self retracting seatbelt
- 6 - Adjustable back support
- 7 - The control consoles are adjusted independently from the seat

Other

- 1 - Back mirror (cabin side and right side)

UNDERCARRIAGE

Drive motor	Axial piston motor with variable cylinder capacity
Brake	Mechanical disk brake
Hydraulic service brake	Brake valve
Final control	Epicyclic gear reduction
Travel speeds	
High	3.3 mph (5,4 km/h) (Automatic speed change)
Low	2.1 mph (3,4 km/h)
Drawbar push	59124 lbf (263 kN)
Number of upper rollers	2 (on each side)
Number of lower rollers	8 (on each side)
Quantity of shoes	48 (on each side)
Type of shoes	Triple claw pad
Link pitch	8.5 in (216 mm)
Track width - STD	1' 11" (600 mm)
Grade-ability	70% (35°)

OPERATING WEIGHT

Operating weight

81570 lb (37.000 kg)

With HD 8' 7" (2,63 m) arm, HD 2.3 jd³ (1,8 m³) bucket, 1' 11" (600 mm) track shoes, operator, lubricant, coolant and full fuel tank

Shipping weight

76742 lb (34.810 kg)

Operating weight -

Operator's weight 165 lb (75 kg) + 90% of the fuel weight 948 lb (430 kg) + bucket weight
3714 lb (1685 kg)

Counterweight 16975 lb (7.700 kg)

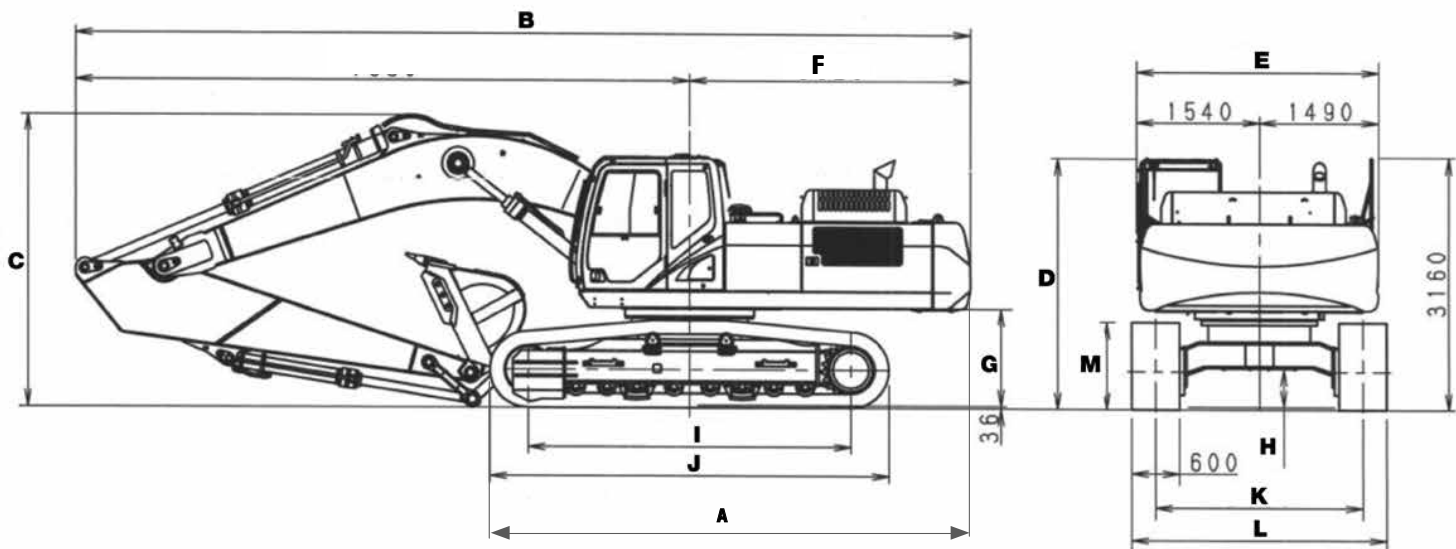
Ground pressure 10 psi (0,70 kgf/cm²)

With HD 8' 7" (2,63 m) arm, HD 2.3 jd³ (1,8 m³) bucket, 1' 11" (600 mm) track shoes

EXCAVATION FORCE WITH 2.3 YD³ (1,8 M³) BUCKET

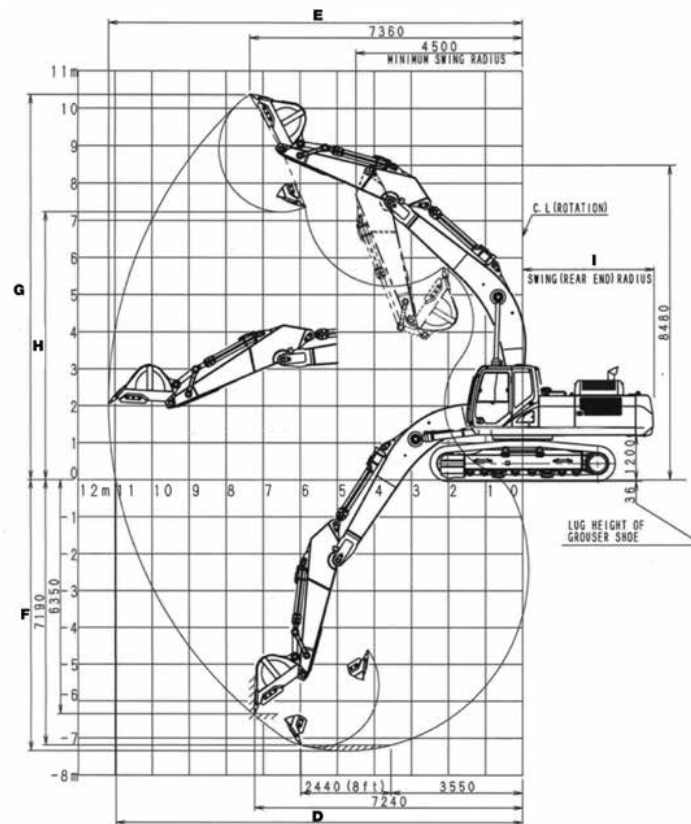
ISO 6015 Arm HD	8 ft 7 in (2,63 m)	7 ft 3 in (2,21 m)
Arm digging	44062 lbf (196 kN)	51256 lbf (228 kN)
With AUTO power up	47884 lb (213 kN)	55752 lbf (248 kN)
Bucket digging force	52155 lbf (232 kN)	52155 lbf (232 kN)
With AUTO power up	56651 lbf (252 kN)	56651 lbf (252 kN)
	10 ft 7 in (3,25 m)	10 ft (4,04 m)
Arm digging	37093 lbf (165 kN)	31698 lbf (141 kN)
With AUTO power up	40240 lbf (179 kN)	34395 lbf (153 kN)
Bucket digging force	52155 lbf (232 kN)	52155 lbf (232 kN)
With AUTO power up	56651 lbf (252 kN)	56651 lbf (252 kN)

DIMENSIONS



Arm HD	8 ft 7 in (2,63 m)	7 ft 3 in (2,21 m)	10 ft 7 in (3,25 m)	10 ft (4,04 m)
A. Total length (without accessory)	19' 8.6" (6010 mm)	19' 8.6" (6010 mm)	19' 8.6" (6010 mm)	19' 8.6" (6010 mm)
B. Total length (with accessory)	36' 10" (11230 mm)	37' 2.8" (11350 mm)	36' 6.5" (11140 mm)	36' 8.9" (11200 mm)
C. Total height (with accessory)	11' 11.3" (3640 mm)	11' 11.7" (3650 mm)	11' 2.6" (3420 mm)	11' 11.7" (3650 mm)
D. Cabin height	10' 3.2" (3130 mm)	10' 3.2" (3130 mm)	10' 3.2" (3130 mm)	10' 3.2" (3130 mm)
E. Upper structure total width	9' 11" (3030 mm)	9' 11" (3030 mm)	9' 11" (3030 mm)	9' 11" (3030 mm)
F. Back rotation radius	11' 7.7" (3550 mm)	11' 7.7" (3550 mm)	11' 7.7" (3550 mm)	11' 7.7" (3550 mm)
G. Low space upper structure	3' 11" (1200 mm)	3' 11" (1200 mm)	3' 11" (1200 mm)	3' 11" (1200 mm)
H. Minimum distance to ground	1' 6.8" (480 mm)	1' 6.8" (480 mm)	1' 6.8" (480 mm)	1' 6.8" (480 mm)
I. Distance between shafts (from center to center of the wheels)	13' 3.0" (4040 mm)	13' 3.0" (4040 mm)	13' 3.0" (4040 mm)	13' 3.0" (4040 mm)
J. Full track length	16' 4.0" (4980 mm)	16' 4.0" (4980 mm)	16' 4.0" (4980 mm)	16' 4.0" (4980 mm)
K. Track gauge	8' 6.3" (2600 mm)	8' 6.3" (2600 mm)	8' 6.3" (2600 mm)	8' 6.3" (2600 mm)
L. Full crawler rail width - with 1' 11" (600 mm) shoes	10' 5.9" (3200 mm)	10' 5.9" (3200 mm)	10' 5.9" (3200 mm)	10' 5.9" (3200 mm)
M. Track height	3' 6.9" (1090 mm)	3' 6.9" (1090 mm)	3' 6.9" (1090 mm)	3' 6.9" (1090 mm)

PERFORMANCE INFORMATION



Arm HD	8 ft 7 in (2,63 m)	7 ft 3 in (2,21 m)	10 ft 7 in (3,25 m)	10 ft (4,04 m)
A. Boom length	21' 1.9" (6450 mm)	21' 1.9" (6450 mm)	21' 1.9" (6450 mm)	21' 1.9" (6450 mm)
B. Bucket radius	5' 6.1" (1680 mm)	5' 6.1" (1680 mm)	5' 6.1" (1680 mm)	5' 6.1" (1680 mm)
C. Bucket rotation	173 °	173 °	173 °	173 °
D. Max. ground level reach	34' 4.2" (10470 mm)	32' 9.3" (9990 mm)	36' (10980 mm)	38' 5.4" (11720 mm)
E. Max. reach	35' (10670 mm)	33' 5.5" (10200 mm)	36' 7.7" (11170 mm)	39' 0.5" (11900 mm)
F. Max. excavation depth	22' 0.9" (6730 mm)	20' 8.0" (6300 mm)	24' 0.9" (7340 mm)	26' 8.4" (8140 mm)
G. Max. excavation height	33' 10" (10320 mm)	32' 3.7" (9850 mm)	34' (10370 mm)	35' (10670 mm)
H. Max. unload height	23' 5.1" (7140 mm)	22' 2.5" (6770 mm)	23' 8.6" (7230 mm)	24' 8.8" (7540 mm)
I. Back rotation radius	11' 7.7" (3550 mm)	11' 7.7" (3550 mm)	11' 7.7" (3550 mm)	11' 7.7" (3550 mm)

SERVICE CAPACITIES AND SPECIFICATIONS

	Capacities	Specifications
Hydraulic system	92.46 gal (350 l)	ISO VG 46
Hydraulic deposit	46.23 (175 l)	ISO VG 46
Fuel tank	153.22 (580 l)	(Diesel)
Cooling system	8.69 (32,9 l)	Coolant 55% 45% water
Final control (on each side)	2.90 (11 l)	API GL-4 90
Swing reductor box	1.32 (5 l)	API GL-5 90
Engine housing (with remote oil filter)	10.83 (41 l)	API CD SAE 10W-30

Note:

- 1 - Case Construction is constantly improving its products and therefore, it reserves the right to modify its design and specifications at any time.
- 2 - The graphics may include optional equipment and may not include all the standard equipment.
- 3 - These specifications are based on the ISO 7135 standard (Land machinery – hydraulic excavators – Terminology and commercial specifications) second edition date 12/15/2009

CX350C - Arm 10 ft 8 in (3.25 m), Bucket 2.1 jd³ (1.6 m³)

	0 ft (0 m)		5 ft (1.5 m)		10 ft (3 m)		15 ft (4.5 m)		20 ft (6 m)		25 ft (7.5 m)		30 ft (9 m)		MAXIMUM REACH		ft (m)
	FRONT	SIDE	FRONT	SIDE	FRONT	SIDE	FRONT	SIDE	FRONT	SIDE	FRONT	SIDE	FRONT	SIDE	FRONT	SIDE	
30 ft (9 m)															8421 lb (3820 kg)*	8421 lb (3820 kg)*	27 ft 0 in (8.23 m)
25 ft (7.5 m)											14462 lb (6560 kg)*	14462 lb (6560 kg)*	11397 lb (5170 kg)*	10714 lb (4860 kg)	7892 lb (3580 kg)*	7892 lb (3580 kg)*	30 ft 8 in (9.36 m)
20 ft (6 m)											16226 lb (7360 kg)*	14815 lb (6720 kg)	14726 lb (6680 kg)*	10560 lb (4790 kg)	7716 lb (3500 kg)*	7716 lb (3500 kg)*	33 ft 2 in (10.11 m)
15 ft (4.5 m)							15586 lb (7070 kg)*	15586 lb (7070 kg)*	21208 lb (9620 kg)*	20480 lb (9290 kg)	18011 lb (8170 kg)*	14197 lb (6440 kg)	15829 lb (7180 kg)	10185 lb (4620 kg)	7826 lb (3550 kg)*	7341 lb (3330 kg)	34 ft 7 in (10.55 m)
10 ft (3 m)					39639 lb (17980 kg)*	39639 lb (17980 kg)*	34744 lb (15760 kg)*	30710 lb (13930 kg)*	25154 lb (11410 kg)*	19356 lb (8780 kg)	20304 lb (9210 kg)*	13404 lb (6080 kg)	15432 lb (7000 kg)	9744 lb (4420 kg)	8090 lb (3670 kg)*	6900 lb (3130 kg)	35 ft 2 in (10.73 m)
5 ft (1.5 m)					16424 lb (7450 kg)*	16424 lb (7450 kg)*	39683 lb (18000 kg)*	28020 lb (12710 kg)	28417 lb (12890 kg)*	18033 lb (8180 kg)	20238 lb (9180 kg)	12676 lb (5750 kg)	14969 lb (6790 kg)	9325 lb (4230 kg)	8598 lb (3900 kg)*	6790 lb (3080 kg)	35 ft 0 in (10.69 m)
0 ft (0 m)					23082 lb (10470 kg)*	23082 lb (10470 kg)*	41601 lb (18870 kg)*	26499 lb (12020 kg)	28175 lb (12780 kg)	17085 lb (7750 kg)	19577 lb (8880 kg)	12081 lb (5480 kg)	14594 lb (6620 kg)	8994 lb (4080 kg)	9457 lb (4290 kg)*	6988 lb (3170 kg)	34 ft 2 in (10.42 m)
- 5 ft (- 1.5 m)			23060 lb (10460 kg)*	23060 lb (10460 kg)*	31415 lb (14250 kg)*	31415 lb (14250 kg)*	41601 lb (18870 kg)*	26257 lb (11910 kg)	27667 lb (12550 kg)	16666 lb (7560 kg)	19268 lb (8740 kg)	11794 lb (5350 kg)	14440 lb (6550 kg)	8840 lb (4010 kg)	10824 lb (4910 kg)*	7583 lb (3440 kg)	32 ft 6 in (9.91 m)
- 10 ft (- 3 m)			31878 lb (14460 kg)*	31878 lb (14460 kg)*	42152 lb (19120 kg)*	42152 lb (19120 kg)*	39594 lb (17960 kg)*	26543 lb (12040 kg)	27734 lb (12580 kg)	16777 lb (7610 kg)	19334 lb (8770 kg)	11904 lb (5400 kg)	14616 lb (6630 kg)	9038 lb (4100 kg)	13139 lb (5960 kg)*	8752 lb (3970 kg)	29 ft 11 in (9.13 m)
- 15 ft (- 4.5 m)			42174 lb (19130 kg)*	42174 lb (19130 kg)*	48986 lb (22220 kg)*	48986 lb (22220 kg)*	34965 lb (15860 kg)*	27249 lb (12360 kg)	26124 lb (11850 kg)*	17284 lb (7840 kg)		12522 lb (5680 kg)			16159 lb (7330 kg)*	10979 lb (4980 kg)	26 ft 3 in (8.01 m)

CX350C - Short arm 8 ft 7 in (2.63 m), Bucket 2.4 jd³ (1.8 m³)

	0 ft (0 m)		5 ft (1.5 m)		10 ft (3 m)		15 ft (4.5 m)		20 ft (6 m)		25 ft (7.5 m)		30 ft (9 m)		MAXIMUM REACH		ft (m)
	FRONT	SIDE	FRONT	SIDE	FRONT	SIDE	FRONT	SIDE	FRONT	SIDE	FRONT	SIDE	FRONT	SIDE	FRONT	SIDE	
30 ft (9 m)											12500 lb (5670 kg)*	12500 lb (5670 kg)*			12103 lb (5490 kg)*	12103 lb (5490 kg)*	24 ft 8 in (7.53 m)
25 ft (7.5 m)											16336 lb (7410 kg)*	14638 lb (6640 kg)			11243 lb (5100 kg)*	10604 lb (4810 kg)	28 ft 9 in (8.77 m)
20 ft (6 m)											17460 lb (7920 kg)*	14219 lb (6450 kg)	15652 lb (7100 kg)*	10008 lb (4540 kg)	10912 lb (4950 kg)*	8730 lb (3960 kg)	31 ft 4 in (9.57 m)
15 ft (4.5 m)							28042 lb (12720 kg)*	28042 lb (12720 kg)*	22619 lb (10260 kg)*	19863 lb (9010 kg)	18959 lb (8600 kg)*	13558 lb (6150 kg)	15388 lb (6980 kg)	9678 lb (4390 kg)	10934 lb (4960 kg)*	7694 lb (3490 kg)	32 ft 10 in (10.03 m)
10 ft (3 m)							33995 lb (15420 kg)*	29100 lb (13200 kg)	26279 lb (11920 kg)*	18496 lb (8390 kg)	20348 lb (9230 kg)	12808 lb (5810 kg)	14947 lb (6780 kg)	9281 lb (4210 kg)	11199 lb (5080 kg)*	7187 lb (3260 kg)	33 ft 6 in (10.23 m)
5 ft (1.5 m)							39264 lb (17810 kg)*	26675 lb (12100 kg)	28263 lb (12820 kg)	17262 lb (7830 kg)	19665 lb (8920 kg)	12125 lb (5500 kg)	14528 lb (6590 kg)	8906 lb (4040 kg)	11772 lb (5340 kg)	7098 lb (3220 kg)	33 ft 5 in (10.19 m)
0 ft (0 m)							41160 lb (18670 kg)*	25617 lb (11620 kg)	27491 lb (12470 kg)	16446 lb (7460 kg)	19114 lb (8670 kg)	11618 lb (5270 kg)	14241 lb (6460 kg)	8642 lb (3920 kg)	12235 lb (5550 kg)	7363 lb (3340 kg)	32 ft 6 in (9.91 m)
- 5 ft (- 1.5 m)			20172 lb (9150 kg)*	20172 lb (9150 kg)*	31437 lb (14260 kg)*	31437 lb (14260 kg)*	40454 lb (18350 kg)*	25838 lb (11720 kg)	27227 lb (12350 kg)	16270 lb (7380 kg)	18915 lb (8580 kg)	11464 lb (5200 kg)	14263 lb (6470 kg)	8664 lb (3930 kg)	13404 lb (6080 kg)	8113 lb (3680 kg)	30 ft 8 in (9.37 m)
- 10 ft (- 3 m)			35141 lb (15940 kg)*	35141 lb (15940 kg)*	45503 lb (20640 kg)*	45503 lb (20640 kg)*	37412 lb (16970 kg)*	26323 lb (11940 kg)	27271 lb (12370 kg)	16534 lb (7500 kg)	19202 lb (8710 kg)	11772 lb (5340 kg)			15674 lb (7110 kg)	9590 lb (4350 kg)	28 ft 0 in (8.54 m)
- 15 ft (- 4.5 m)					42394 lb (19230 kg)*	42394 lb (19230 kg)*	31437 lb (14260 kg)*	26984 lb (12240 kg)	23479 lb (10650 kg)*	17328 lb (7860 kg)					15630 lb (7090 kg)*	12544 lb (5690 kg)	24 ft 0 in (7.33 m)

BUCKET INFORMATION

CX350C – ISO

BUCKET	CAPACITY yd³ (m³)	WEIGHT lb (kg)	TEETH NUMBER	CNHI NUMBER
HD (SC)	2.02 (1,55)	3575 (1622)	5	84404277
HD (SC)	2.31 (1,77)	3800 (1724)	6	84405394
HD (SC)	2.60 (1,99)	4074 (1848)	6	84405395
HD (SC)	2.87 (2,20)	2599 (1179)	7	84405396
HD (HC)	2.02 (1,55)	3774 (1712)	5	84404278
HD (HC)	2.35 (1,80)	4124 (1871)	5	84404279
HD (HC)	2.69 (2,06)	4349 (1973)	6	84404280
HD (HC)	3.03 (2,32)	4675 (2121)	6	84405399

Note: HD (Heavy Duty)
SC (Standard Capacity)
HC (High Capacity)

SERIES EQUIPMENT

Operator's Compartment

Pressurized cabin with round shape and smooth design
 Safety glass on all windows
 Impact-proof cabin suspension for 4 cushion hydraulic mounting
 Sliding front window with automatic block
 Full color LCD screen included
 Membrane switch on the display screen
 Windscreen wipers and washer
 AM/FM radio with automatic tuner
 floor carpet
 Ceiling hatch of polycarbonate and sun protection
 Automatic air conditioning
 Top FOPS defense level 1 (on the cabin's structure)
 Rollover protection structure (ROPS)
 Operator's seat with low frequency mechanical suspension with helical spring and double acting hydraulic damper, manual weight adjustment, back angle adjustment, adjustable armrest height attached to the consoles, adjustable headrest, self retracting seatbelt and adjustable back support.
 The control consoles are adjusted independently from the seat
 Rear view mirror
 Double horn
 Travel alarm
 Joystick levers to control hydraulic functions
 Safety levers to neutralize hydraulic functions and start of the engine

Engine

4-stroke engine, water-cooled, 6 cylinder - common rail injection system, turbocharged with air-cooled intercooler, with tier 3 emission certification.

Electric System

Wiring with waterproof connectors
 Battery 2x 12V 128 Ah/5HR
 Voltage 24V
 Alternator 50 A
 Starter engine 5,0 kW

Hydraulic System

With ISO standardized steering control
 Work mode selection Auto, H and SP
 Auxiliary accessory mode
 Auto power up
 2 variable flow pumps
 Electronic flow control
 Cylinders with end cushioning
 One gear pump for pilot system
 8' 7" (2,63 m) long arm

Undercarriage

Travel speeds
 High 5,4 Automatic speed change
 Low 3,4 km/h
 Quantity of transport rollers: 2 (each side)
 Quantity of rollers on each track 8 (on each side)
 Number of shoes 48 (on each side)
 Pads width 1' 11" (600 mm)
 Type of shoes triple grousers
 Track width 8' 6" (2600 mm)
 Track length 16' 4" (4980 mm)
 Track guide Simple
 Sealed and lubricated chains

OPTIONAL EQUIPMENT

Cabin

Seat with air suspension
 2 options for front stone protection.
 Level 2 FOPS superior protection
 Rain deflector
 Sun screen

Undercarriage



1' 7" (500 mm), 2' 3" (700 mm), 2' 5" (750 mm),
 2' 7" (800 mm), 2' 9" (850 mm) and 2' 11" (900 mm)
 track shoes
 Triple track guide

Accessories

Arms 7' 3" (2,21 m), 10' 8" (3,25 m) and
 13' 3" (4,04 m) long
 Heavy Duty bucket and link with hook
 Tropical cooling
 Six options for auxiliary accessory
 Rubber fender protector
 Additional handrails Rh + Lh
 Safety valve for the boom

Other

Rear view camera
 Side view camera
 Refueling pump

  Fleet monitoring and tracking management system through satellite or mobile phone

Case reserves the right to implement improvements in the project and alterations to the specifications at any time, without prior notice, and not being liable to install them in previously sold units. The specifications, descriptions and graphics correctly reflect the information known to this day in this publication. This information may vary in different regions and may be subject to changes without previous notice. The graphics may include equipment and optional accessories, and may not include all the standard units.

CCEIO013 – 3/2018 – Printed in Brazil

CaseCE.com

 CAPITAL

Factories

Contagem – Minas Gerais – Brazil
 Av. General David Sarnoff, 2.237
 Inconfidentes – C.P. 32210-900
 Tel.: +55 31 2104-3392

Sorocaba – São Paulo – Brazil
 Av. Jerome Case, 1.801
 Éden – C.P. 18087-220
 Tel.: +55 15 3334-1700