

WHEEL LOADER

CASE

CONSTRUCTION

SINCE 1842.

1121G

ENGINE

Make	FPT
Model	F2CFE614F
Emissions Certification	Tier 4 Final
Emissions Technology	SCR/DOC
Type	4-stroke, turbocharged and air-to-air cooled
Cylinders	6-cylinder in-line
Bore/Stroke	4.61 x 5.31 in (117 x 135 mm)
Displacement	531 in ³ (8.7 L)
Fuel	#2 Diesel, #1 and #2 mixture permitted for cold temperatures
Fuel injection	Direct injection – electronic
Fuel filter	Replaceable, spin-on cartridge
Fuel pump	Bosch CP 3.3
Gradeability:	
Side-to-side	35°
Fore and aft	35°
Air filter	2-element dry type w/ warning restriction indicator
Rear-mount cooling module w/ auto reversing fan:	
Rear-mount air /water w/ Lube Oil Cooler	
Fan – hydraulic driven:	
Style	9 blade puller
Diameter	36 in (914 mm)
Water pump	Integral
Engine oil pump operating angle ratings:	
Side-to-side	35°
Fore and aft	35°
Oil filtration	Replaceable, full flow spin-on cartridge
Engine speeds	RPM
Rated – full load	2100
Horsepower – Maximum Power:	
Peak gross @ 1800 RPM	345 hp (257 kW)
Net rated @ 2100 RPM	293 hp (218 kW)
Peak net @ 1800 RPM	329 hp (245 kW)
Torque – Maximum Power:	
Gross @ 1100 RPM	1,183 lb-ft (1 604 N-m)
Net @ 1100 RPM	1,154 lb-ft (1 564 N-m)
Net torque rise:	
Maximum power range	57%
NOTE: Gross horsepower and torque per SAE J1995. Net horsepower and torque per SAE J1349.	

DRIVETRAIN

Transmission:	4F/3R Proportional w/ Electronic Control Module torque sensing autoshift/manual shift and modulation	
Gears	Helical cut	
Gear ratios	Forward/Reverse	
1st	3.731/3.731	
2nd	2.207/2.207	
3rd	1.421/0.970	
4th	0.625/ –	
Torque converter:		
Stall ratio	2.511:1	
Differential:		
Front axle equipped w/ locking differential		
Rear axle equipped w/ open differential		
Rear axle oscillation	26° total	
Front and rear axles:	Front/Rear	
Differential ratio	4.25	
Planetary ratio	6.35	
Final axle ratio	27.00	
Special application axles – standard:		
Front axle equipped w/ locking differential		
Rear axle equipped w/ open differential		
Planetaries	Outboard	
Service brakes:		
Hydraulically actuated, maintenance-free, multiple wet disc w/ accumulator to all four wheels		
Brake surface area:		
Front hub – each	1,144 in ² (0.738 m ²)	
Rear hub – each	1,144 in ² (0.738 m ²)	
Parking brakes:		
Spring-applied hydraulic release disc on transmission output shaft neutralizes power flow to wheels when engaged		
Travel speeds – 4-speed transmission:		
	Forward	Reverse
	mph (kph)	mph (kph)
1st	4.3 (6.9)	4.3 (6.9)
2nd	7.2 (11.6)	7.2 (11.6)
3rd	11.0 (17.7)	15.8 (25.5)
4th	23.2 (37.4)	–
NOTE: Travel speeds at full engine throttle w/ 26.5 x 25 L3 Radial tires.		

ELECTRICAL

Voltage	24 Volts, negative ground
Alternator	120 amp
Batteries (2)	12-volt

OPERATOR ENVIRONMENT

ROPS cab AC w/ heat; 8" LCD touchscreen display, adjustable armrest w/ 3 configurable buttons; Key start; Articulated power steering w/ tilt column; Fully adjustable, heated air-ride seat w/ head rest; AM/FM Bluetooth radio w/ auxiliary input; Cab convenience package: rear sun shade, interior mirror, under the seat drawer, 12V accessory port, & coat hook; Foot throttle; Single lever (joystick) loader control w/ fully adjustable wrist rest, 2 cup holders; 2 interior rear view mirrors; 3 inch (76 mm) retractable seat belt; Integrated 4-corner strobe; Multiple storage trays; Single brake pedal; F/N/R shuttle switch; Left and Right external rear view mirrors; Sound suppression kit; Pressurized air filtering; Anti-glare window strip; Front and Rear Defroster; Side window, partial/fully open; 2 Dome lights; Wipers, rear and intermittent front; Windshield washers, front and rear; Rubber floor mat; Horn.

Displays/Gauges:

Digital:

Transmission oil temperature; Engine coolant temperature; Fuel level; DEF level.

LCD screen:

Hour meter; Time; FNR indication; Trip computer A/B; Metric/english; Differential lock; Engine speed; Automatic trans indication; DeClutch indication; Fuel consumption; Engine diagnostics; Error reporting; Travel speed; Current gear selection; Engine mode indication; Multiple languages; Transmission diagnostics.

Audible/Visual alarms:

Warning lights:

Four-way flashers; High beam lights; Engine block heater; Low brake pressure; Parking brake.

Caution warnings:

Parking brake; Coolant temperature; Hydraulic oil temperature; Transmission oil temperature; Air filter; Transmission filter; Hydraulic filter; Alternator; Low fuel.

Critical warnings:

Engine oil pressure; Brake pressure; Steering pressure – w/ aux. steering*; Coolant temperature; Hydraulic oil temperature; Transmission oil temperature.

Backup alarm

Maintenance reminders:

Cab air filter; Engine oil filter; Fuel pre-filter;
DEF tank vent filter; SCR supply filter;
Hydraulic oil and filter; Engine air filter;
Engine coolant; Drive belt; Cab recirculation
filter; Engine breather filter; Transmission
breather; Front and rear axle fluid; SCR
supply module filter.

NOTE: *If equipped w/ option.

OPERATING WEIGHT

Z-Bar

Unit equipped w/ ROPS cab w/ heater and
A/C; Standard counterweight; 26.5-R25 L3
Radial tires; 5.25 yd³ (4.8 m³) GP pin-on w/ bolt
on edge; Full fuel; 165 lb (75 kg) operator:
61,650 lb (27 964 kg)

HYDRAULICS

Main pumps – steering/implement:

Closed center pressure/flow compensated

Tandem variable displacement – load-sensing

Max. rated flow x2: 50.2 gpm @ 2000 RPM
(190 L/min @ 2000 RPM)

Loader control valve:

Closed-center, sectional 2, 3 or 4-function
w/ control for lift, tilt and auxiliary hydraulics

Loader auxiliary steering:

Hydraulic orbital center-pivot articulating
w/ on-demand oil flow

High pressure standby:

Implement 3,650 psi (25 165 kPa)
Steering 3,495 psi (24 097 kPa)

Filtration:

Filtered vent w/ relief on hydraulic reservoir,
maintains 3-5 psi on reservoir, 10-micron,
return filter furnishes only clean oil to all
components of the system.

SERVICE CAPACITIES

Fuel tank 125 gal (473.0 L)

DEF tank – Diesel Exhaust Fluid:

Usable capacity 16 gal (61.0 L)
Total 24 gal (90.8 L)

Hydraulic system:

Reservoir 35.4 gal (134 L)
Total 66 gal (250 L)

Transmission:

Service w/ filter 48.0 qt (45.4 L)

Front and rear axle:

Front axle 67.6 qt (64.0 L)
Rear axle 67.6 qt (64.0 L)

Engine oil w/ filter 30 qt (28.5 L)

Cooling system 15 gal (56.8 L)

OTHER SPECIFICATIONS

Lift cylinder:

Bore diameter 7.00 in (177.8 mm)
Rod diameter 4.50 in (114.3 mm)
Stroke 34.48 in (875.8 mm)

Dump cylinder – Z-Bar:

Bore diameter 8.00 in (203.2 mm)
Rod diameter 5.00 in (127.0 mm)
Stroke 27.35 in (694.7 mm)

Loader:

Z-Bar loader linkage; Single control for lift and
tilt; Positive hold float; Automatic return-to-dig;
Automatic height control; Automatic return-to-
travel; Brake pedal transmission disconnect;
Bucket position indicator on bucket.

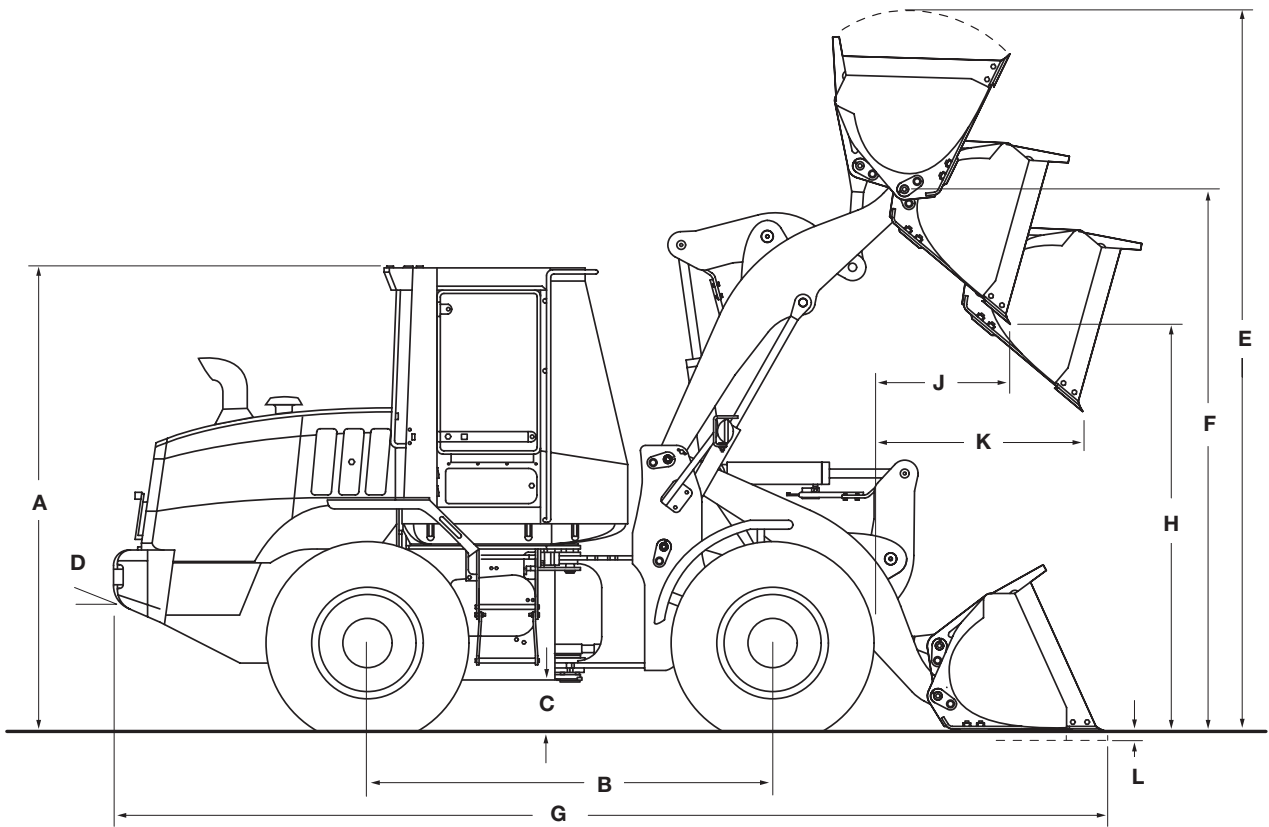
Cycle time:

Raise w/ rated bucket load 6.5 sec
Dump w/ rated bucket load 1.4 sec
Float down 2.8 sec

Sound level in Cab (LpA) 69 dB(A)

Exterior sound level (LwA) 104 dB(A)

NOTE: Sound level data tested in accordance
with ISO6395, 6396, 3744.



Line drawings are for illustrative purpose only and may not be exact representation of unit.

DIMENSIONS

A. Height to top of ROPS cab	140.8 in (3.576 mm)
Height to drawbar	44.8 in (1.137 mm)
B. Wheelbase	139.8 in (3.550 mm)
C. Ground clearance	17.2 in (437 mm)
D. Angle of departure, rear	23°
Width:	
Overall* without bucket	117.2 in (2.978 mm)
Tread width	90.6 in (2.300 mm)
Turning radius* – outside	250.6 in (6.366 mm)
Turning angle:	
From center	40°
Total angle	80°
Rear axle oscillation – total	26°

NOTE: *Dimensions taken with 26.5-R25 L3 Radial Tires. Additional dimensions on pages 4 through 5.

WEIGHT ADJUSTMENTS

Select Options	Weight Adjustment	Tipping Load Adjustment	
		Straight: Deflected*	40° Turn: Deflected*
26.5 x 25 L5 Radial Tires	+1,500 lb (+680 kg)	+1,323 lb (+600 kg)	+1,226 lb (+556 kg)

NOTE: Unit equipped with Z-Bar loader arms, 6.25 yd³ (4.8 m³) pin on bucket w/ bolt-on edge, 26.5-R25 L3 Radial Tires, ROPS cab with heater and A/ C, full counterweight, front and rear fenders, full fuel and 165 lb (75 kg) operator. Adjust select options from rated weight.

*Tipping loads: ISO 14397-1 Deflected Tires.

PERFORMANCE SPECS

1121G Z-Bar*	6.25yd ³ (4.8m ³) Bucket with Bolt-on Edge - Pin On	6.1yd ³ (4.7m ³) Bucket with Teeth - Pin On
Operating weight	61,650 lb (27.964 kg)	61,646 lb (27.962 kg)
E. Operating height – fully raised with spillguard	242.0 in (6.147 mm)	242.0 in (6.147 mm)
F. Hinge pin height – fully raised	175.2 in (4.449 mm)	175.2 in (4.449 mm)
G. Overall length – bucket level on ground	361.1 in (9.172 mm)	368.3 in (9.354 mm)
Dump angle – fully raised	50°	50°
H. Dump height – fully raised, 45° dump	126.3 in (3.209 mm)	121.7 in (3.090 mm)
J. Bucket reach – fully raised, 45° dump	50.1 in (1.273 mm)	55.4 in (1.406 mm)
K. Bucket reach – 7 ft 0 in (2.13 m) height, 45° dump	80.4 in (2.043 mm)	83.5 in (2.121 mm)
L. Dig depth	4.4 in (111 mm)	4.6 in (116 mm)
Operating load – ISO Rigid Tires	21,032 lb (9.540 kg)	21,166 lb (9.601 kg)
Operating load – ISO Deflected Tires	19,227 lb (8.721 kg)	19,345 lb (8.775 kg)
Maximum material density – ISO Rigid Tires	3,365 lb/yc ³ (1.997 kg/m ³)	3,470 lb/yc ³ (2.059 kg/m ³)
Maximum material density – ISO Deflected Tires	3,076 lb/yc ³ (1.825 kg/m ³)	3,171 lb/yc ³ (1.882 kg/m ³)
Tipping load – ISO Rigid Tires: Straight	51,898 lb (23.541 kg)	52,231 lb (23.692 kg)
40° turn	42,064 lb (19.080 kg)	42,331 lb (19.201 kg)
Tipping load – ISO Deflected Tires: Straight	48,670 lb (22.076 kg)	48,973 lb (22.214 kg)
40° turn	38,454 lb (17.443 kg)	38,691 lb (17.550 kg)
Lift capacity: Full height	32,710 lb (14.837 kg)	32,662 lb (14.815 kg)
Ground	56,904 lb (25.811 kg)	57,397 lb (26.035 kg)
Breakout force with tilt cylinder	49,934 lb (22.650 kg)	53,151 lb (24.109 kg)
Loader clearance circle with bucket	564.4 in (14.337 mm)	569.6 in (14.467 mm)

1121G	Z-Bar	Z-Bar
Maximum rollback: Ground	44°/42°	45°/42°
Carry position	49°/48°	49°/48°
@ Full height	65°/66°	65°/66°
Maximum grading angle with bucket – back dragging	60°/63°	60°/62°
SAE bucket capacity – struck	5.45 yd ³ (4.17 m ³)	5.25 yd ³ (4.01 m ³)
Heaped	6.25 yd ³ (4.78 m ³)	6.10 yd ³ (4.66 m ³)
Bucket width – outside	125.8 in (3.195 mm)	126.9 in (3.223 mm)
Bucket weight	4,941 lb (2.241 kg)	4,937 lb (2.240 kg)

NOTE: *Z-Bar performance data shown w/ standard counterweight. Performance data unit equipped with 26.5-R25 L3 Radial tires, ROPS cab w/ heater and A/C, standard counterweight, full fuel and 165 lb (75 kg) operator. Specifications per SAE J732, J1234, J695, J742, and J818.

STANDARD EQUIPMENT

OPERATOR ENVIRONMENT

See page 1.

ENGINE

FPT F2CFE614F
Tier 4 Final Certified
Selective Catalytic Reduction (SCR) with Diesel Oxidation Catalyst
Selectable work modes:
Maximum Mode
Smart Mode
Automatic shutdown – idle reduction device
Turbocharger
Charge air cooling
Automatic fan belt tensioner
Integral engine oil cooling
Fuel filter with water trap
Dual-element dry-type air cleaner
Hydraulic-driven cooling fan
Air-cooled radiator
Rear-mounted cooling module with hydraulically driven auto-reversing fan
Engine block heater
Sound suppression kit
Ejector type air precleaner
Common rail electronic fuel injection

LOADER

See page 2 – Operating weight,
Other specifications

DRIVETRAIN

4-wheel drive
4F/3R Selectable autoshift /manual shift transmission
Electronic Control Module – programmable, computer controlled proportional shifting with programmable gear selection
Onboard diagnostics
Heavy-duty axles:
With locking front differential and open/conventional rear differential
Single lever electronic shift control
F/N/R switch in loader control handle
Downshift button
Torque converter
Outboard planetary axles
Transmission oil cooler
Brake pedal transmission disconnect
Hydraulic wet disc brakes
Spring-applied hydraulic release parking brake
Limp-Home Mode
Greaseable rear axle trunnion

HYDRAULICS

Adjustable Electro-hydraulic – EH loader control with 3 configurable buttons
Adjustable EH settings:
Smooth
Moderate
Aggressive
Ride Control™
EH Parallel Lift
Low-effort steering
Hydraulic driven fan
8 Diagnostic quick couplers
Split flange hydraulic connections – 1 inch or greater
Hydraulic oil cooler

ELECTRICAL

Battery isolator/electrical disconnect
120 amp alternator and voltage regulator
(2) 1000 CCA 12-volt batteries
Electric starter
Lights:
Integrated 4-corner strobe
Front and rear halogen flood lights
2 Front driving headlights – high/ low beam
2 Front flood
2 Rear flood
2 LED stop and tail lights
Front and rear turn signal /flash
Key start /stop switch
Centrally located fuse box with all electrical circuits protected
Backup alarm
Remote jump start posts

OTHER

Electric hood lift
Front and rear fenders, partial coverage
External rear view mirrors
Standard counterweight
Drawbar hitch
Articulation locking bar
Lift arm locking bar
Lift and tie-down points – front /rear
Backup alarm
3-piece rims
Rear frame side covers
License plate brackets; front bracket and lit rear bracket
Rubber steering stops
Standard fenders with Left hand and Right hand steps
Grouped remote-mounted ecology drains:
Engine oil
Engine coolant
Hydraulic oil

OPTIONAL EQUIPMENT

OPERATOR ENVIRONMENT

Leather trimmed heated air seat with active suspension
In cab powered cooler box
In cab accessory mount
Rear view camera
External heated rear view mirrors
Front LED driving/headlights
LED front and rear work lights – 4 front, 2 rear

DRIVETRAIN

Axle coolers
Axle oscillation stops
Cold weather package:
Fuel heater
Hydraulic oil cooler bypass
Low temperature hydraulic oil

HYDRAULICS

Auxiliary hydraulics
Secondary steering
Integrated Payload System
Tire Pressure Monitoring System
2-function EH loader control with one auxiliary function
4-function EH loader control with two proportional auxiliary controls
2 Single axis EH levers and one auxiliary function
Joystick steering with or without secondary steering

LOADER

Attachment auxiliary hydraulics
Buckets – see page 4

TIRES

26.5 x 25 L3 Bias
26.5-R25 L3 Radial
26.5 x 25 L5 Bias
26.5-R25 L5 Radial

OTHER

12 mph (20 kph) maximum speed control
Special paint
Wide full coverage fenders with right and left hand steps



CASE Corporation reserves the right to make improvements in design or changes in specifications at any time without incurring any obligation to install them on units previously sold. The specifications, descriptions, and illustrative materials contained here reflect correctly the data known up to the publication date, but are subject to changes with no previous notice. The illustrations may include optional equipment and accessories and may not include all standard equipment.

CCEIO141 – 05/2022

CaseCE.com



Garín Trade Office

ARGENTINA
Ávalos 2829 Edif. 1 Piso 4°,
Complejo Urbana
Vicente López (1605) Bs. As.,
Argentina. Phone +54 (11) 2034 1400

Manufacturing plants

BRAZIL
Contagem – Minas Gerais – Brazil
Av. General David Sarnoff, 2237
Inconfidentes – C. P. 32210-900
Phone +55 31 2104-3392

Sorocaba – São Paulo – Brazil
Av. Jerome Case, 1.801
Éden – CEP 18087-220
Phone +55 15 3334-1700