

**ENGINE**

Make	Deutz TCD 3.6 L4 Tier 4 Interim Certified
Horsepower @ 2200 RPM	100 hp (74.4 kW)

**POWERTRAIN**

Drive	Hydrostatic
Maximum speed	6.8 mph (11 km/hr)
Service brake	SAHR
Parking brake	Multi-disc
Emergency brake	Multi-disc
Drum drive	Front and rear drums
Drive motors – dual	1 x each drum
Drive motor pump	Variable displacement axial piston
Gradeability	30%

**ELECTRICAL**

Voltage	24 Volts
Battery	12-volt @ 420 CCA
Halogen work lights	4 (55 watt/front and rear)
Turn signals & four-way flashers	Left/right

**OPERATOR ENVIRONMENT**

Operator work stations	1
Seat – multi-position/suspension	1
Seat position	Rotating and pivoting
Lever travel control	1
Seat-belt – retractable	2 in (51 mm)
Steering column	Adjustable up/down
Rearview mirrors	2 – front frame mounted

**OPERATING WEIGHT**

Operating weight	21,030 lb (9 540 kg)
w/ cab option – add	970 lb (440 kg)
Front drum load	10,710 lb (4 860 kg)
Front drum linear load	162 lb/in (28.9 kg/cm)
Rear drum load	10,320 lb (4 680 kg)
Rear drum linear load	156 lb/in (27.8 kg/cm)

**SERVICE CAPACITY**

Fuel tank	55.5 gal (210 L)
Engine oil	9.5 qt (9 L)
Hydraulic system – reservoir	15.9 gal (60 L)
Vibration system – each drum	11.1 qt (10.5 L)

**OTHER SPECIFICATIONS**

Steering:	
Pump type	Gear
Steering cylinders	2
Steering angle – left and right	31°
Oscillation angle +/-	6°
Inside turning radius	215 in (5 470 mm)
Outside turning radius	293 in (7 450 mm)

Water system:	
Water tank	222 gal (840 L) front frame mount
Water tank	Polyethylene
Water feed	Pressurized
Pumps	2
Fill ports	2
Filtration stages	3

Vibratory system:	
System design	Closed center
Pump type	Gear
Fixed displacement hydraulic motors	2
Vibration	Eccentric
Drum vibration	Front only/Rear only/options Front and rear

Frequency:	
Low	2,520 vpm (42 Hz)
High	3,300 vpm (55 Hz)
Amplitude:	
Low	0.0130 in (0.33 mm)
High	0.0276 in (0.70 mm)
Centrifugal force:	
Low	15,737 lb (70 kN)
High	18,884 lb (84 kN)

**STANDARD EQUIPMENT**

Fixed ROPS/FOPS Canopy
Articulated chassis
Deutz TCD 3.6 L4/Tier 4 interim engine
Hydrostatic drive for both drums
Vulcollon drum scrapers – fixed
Machined tapered drum edges
Spin-on fuel, engine oil and hydraulic filters
Master disconnect switch
4-point lift and tie down provision
Worklights with turn signals
Back-up alarm
Brake release
Drum offset – crab steer

**STANDARD EQUIPMENT (cont.)**

**OPERATOR ENVIRONMENT**

Iso-mounted operator's platform
Multi-position shifting suspension seat w/ foldable armrests
Adjustable steering column
Single lever speed and direction control w/ vibration on/off control
Speed selector
Smooth start and stop
Return to center – offset
Handrails
Tool box
2 in retractable seat-belt
Emergency stop button
Seat safety switch

**INSTRUMENT PANEL**

Intelligent intergrated display screen
Ignition lockout
Hour meter
Throttle control
Manual or auto vibration control
Water tank level
Fuel tank level
Vibration frequency
Sprinkler intensity

**INDICATOR LIGHTS**

Battery
Coolant level
Engine temperature warning
Air filter
Hydraulic filter
Hydraulic oil level
Parking brake
Fuel filter
Sprinkler on/off

**MONITOR DISPLAY PANEL**

Engine RPM
Engine hours
Fuel rate
System voltage
% engine load at current RPM
Coolant temperature
Oil pressure
Fuel economy
Current fuel consumption
Active service codes

## STANDARD EQUIPMENT

(continued)

### WATER SYSTEM

Pressurized water system  
Dual fill port water tank  
3-stage water filtration  
Water system on/off  
Water system drain  
Adjustable sprinkler volume control

### VIBRATION SYSTEM

Front, rear, and dual drum vibration control modes  
Auto vibration stop in neutral  
Dual-mode vibratory system

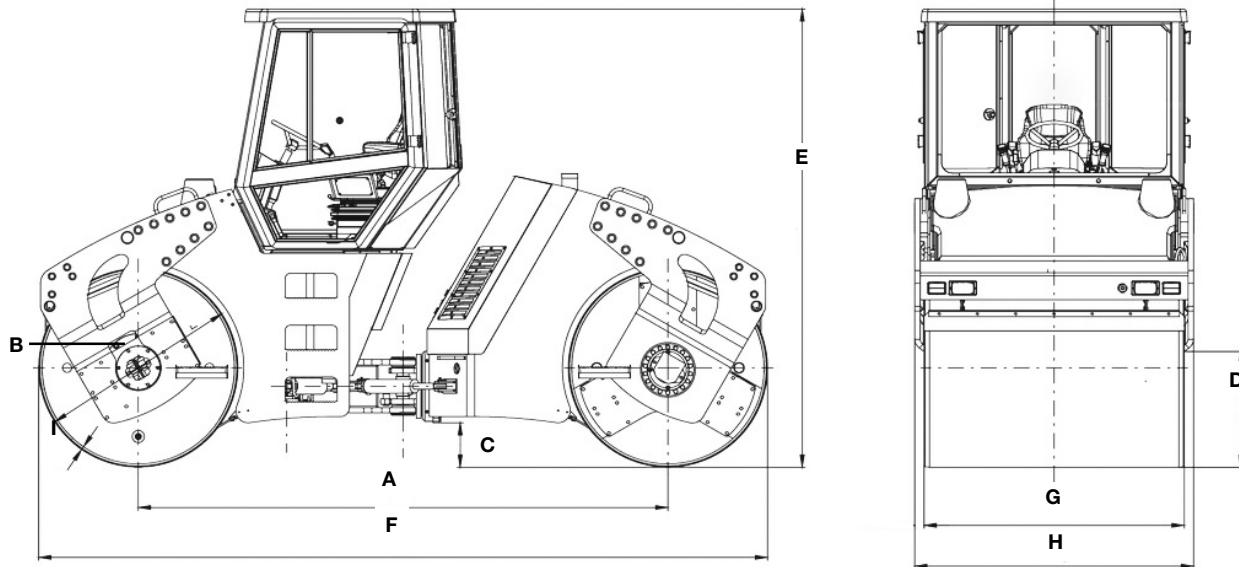
## OPTIONAL EQUIPMENT

Cab with heat and ventilation  
Cab air conditioning  
Radio mounting with 2 speakers and antenna – no radio  
Rotating beacon  
Edge cutter  
Tiltable scrapers – front and rear  
Infrared thermometer  
Cab mounted LED work lights  
360 degree night illumination kit  
3 in retractable seat belt

## OPTIONAL EQUIPMENT

(continued)

Left hand control lever – in addition to the right hand lever  
CASE SiteWatch



## DIMENSIONS

<b>A.</b> Wheelbase	11 ft 5 in (3 500 mm)
<b>B.</b> Drum diameter	48 in (1 220 mm)
<b>C.</b> Ground clearance	11.8 in (300 mm)
<b>D.</b> Curb clearance	30.7 in (780 mm)
<b>E.</b> Overall height	9 ft 10 in (3 000 mm)
<b>F.</b> Overall length	15 ft 5 in (4 720 mm)
<b>G.</b> Compaction width	66 in (1 680 mm)
<b>H.</b> Overall width	71 in (1 800 mm)
<b>I.</b> Drum thickness	0.7 in (19 mm)
Drum offset	6.7 in (170 mm)



NOTE: All specifications are stated in accordance with SAE Standards or Recommended Practices, where applicable.

NOTE: All engines meet current EPA emissions requirements.

IMPORTANT: Case Construction Equipment Inc. reserves the right to change these specifications without notice and without incurring any obligation relating to such change. Case Construction Equipment Inc. does not warrant the safety or reliability of attachments from other manufacturers. CASE is a trademark registered in the United States and many other countries, owned by or licensed to CNH Industrial N.V., its subsidiaries or affiliates. CNH Industrial Capital is a trademark in the United States and many other countries, owned by or licensed to CNH Industrial N.V., its subsidiaries or affiliates.



[www.casece.com](http://www.casece.com)

