



ENGINE

| | |
|-------------------------|-------------------------|
| Make | Deutz TCD 3.6 L4 |
| Emissions Certification | Tier 4 Final Certified |
| Type | Diesel |
| Cylinders | 4 |
| Displacement | 221 in ³ (L) |
| Horsepower @ 2200 RPM | 100 hp (74.4 kW) |
| Max. torque @ 1600 RPM | 302.4 lb-ft (410 Nm) |

DRIVETRAIN

| | |
|---------------------|------------------------------------|
| Drive | Hydrostatic |
| Maximum speed | 6.5 mph (10.5 kph) |
| Service brake | SAHR |
| Parking brake | Multi-disc |
| Emergency brake | Multi-disc |
| Drum drive | Front and rear drums |
| Drive motors – dual | 1 x each drum |
| Drive motor pump | Variable displacement axial piston |
| Gradeability | 30% |

ELECTRICAL

| | |
|----------------------------------|-------------------------------|
| Voltage | 24 Volts |
| Battery | 12-volt @ 420 CCA |
| Halogen work lights | 4 (55 watt/front and rear) |
| Turn signals & four-way flashers | Left/right |

OPERATOR ENVIRONMENT

| | |
|----------------------------------|-------------------------|
| Operator work stations | 1 |
| Seat – multi-position/suspension | 1 |
| Seat position | Rotating and pivoting |
| Lever travel control | 1 |
| Seat-belt – retractable | 3 in (76.2 mm) |
| Steering column | Adjustable up/down |
| Rearview mirrors | 2 – front frame mounted |

OPERATING WEIGHT

| | |
|-------------------------|------------------------|
| Operating weight | 21,080 lb (9 560 kg) |
| w/ cab option – add | 970 lb (440 kg) |
| Front drum load | 10,520 lb (4 770 kg) |
| Front drum linear load | 159 lb/in (28.4 kg/cm) |
| Rear drum load | 10,560 lb (4 790 kg) |
| Rear drum linear load | 160 lb/in (28.5 kg/cm) |
| Single side edge cutter | 330 lb (150 kg) |
| Double side edge cutter | 660 lb (300 kg) |

SERVICE CAPACITIES

| | |
|------------------------------|------------------|
| Fuel tank | 58.1 gal (220 L) |
| Engine oil | 9.5 qt (9 L) |
| SCR tank | 5.8 gal (22 L) |
| Hydraulic system – reservoir | 15.9 gal (60 L) |
| Vibration system – each drum | 2 gal (7.5 L) |

OTHER SPECIFICATIONS

| | |
|---------------------------------|-------------------|
| Steering: | |
| Pump type | Gear |
| Steering cylinders | 2 |
| Steering angle – left and right | 31° |
| Oscillation angle +/- | 6° |
| Inside turning radius | 215 in (5 470 mm) |
| Outside turning radius | 293 in (7 450 mm) |

| | |
|-------------------|--------------------------------------|
| Water system: | |
| Water tank | 222 gal (840 L) front frame mount |
| Water tank | Polyethylene |
| Water feed | Pressurized |
| Pumps | 2 |
| Fill ports | 2 |
| Filtration stages | 3 |

| | |
|-------------------------------------|--|
| Vibratory system: | |
| System design | Closed center |
| Pump type | Gear |
| Fixed displacement hydraulic motors | 2 |
| Vibration | Eccentric |
| Drum vibration | Front only/Rear only Front and rear |

| | |
|--------------------|--------------------|
| Frequency: | |
| Low | 2,760 vpm (46 Hz) |
| High | 4,020 vpm (67 Hz) |
| Amplitude: | |
| Low | 0.009 in (0.23 mm) |
| High | 0.024 in (0.62 mm) |
| Centrifugal force: | |
| Low | 15,737 lb (70 kN) |
| High | 21,806 lb (97 kN) |

STANDARD EQUIPMENT

OTHER

Fixed ROPS/FOPS Canopy
Articulated chassis
Deutz TCD 3.6 L4/Tier 4 Final engine
Hydrostatic drive for both drums
Vulcollon drum scrapers – fixed
Machined tapered drum edges
Spin-on fuel, engine oil and hydraulic filters
Master disconnect switch
4-point lift and tie down provision
Worklights w/ turn signals
Back-up alarm
Brake release
Drum offset – crab steer

OPERATOR ENVIRONMENT

Iso-mounted operator's platform
Anti-Vandal Covers
Multi-position shifting suspension seat
w/ foldable armrests
Adjustable steering column
Single lever speed and direction control w/
vibration on/off control
Speed selector
Smooth start and stop
Return to center – offset
Handrails
Tool box
3 in retractable seat-belt
Emergency stop button
Seat safety switch

INSTRUMENT PANEL

Intelligent intergrated display screen
Ignition lockout
Hour meter
Throttle control
Manual or auto vibration control
Water tank level
Fuel tank level
Vibration frequency
Sprinkler intensity

INDICATOR LIGHTS

Battery
Coolant level
Engine temperature warning
Air filter
Hydraulic filter
Hydraulic oil level
Parking brake
Fuel filter
Sprinkler on/off

MONITOR DISPLAY PANEL

Engine RPM
 Engine hours
 Fuel rate
 System voltage
 % engine load at current RPM
 Coolant temperature
 Oil pressure
 Fuel economy
 Current fuel consumption
 Active service codes

WATER SYSTEM

Pressurized water system
 Dual fill port water tank
 3-stage water filtration
 Water system on/off
 Water system drain
 Adjustable sprinkler volume control

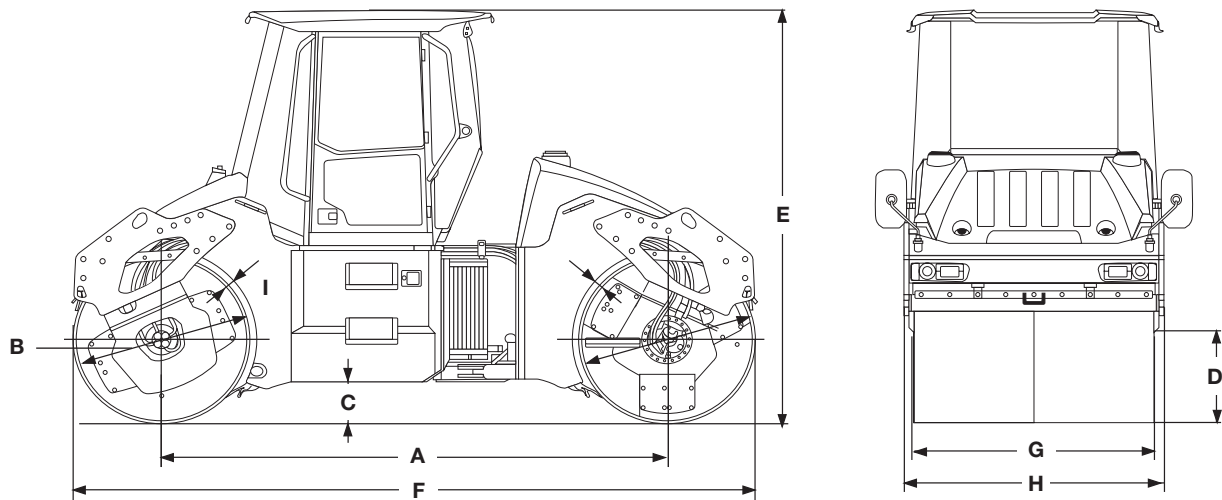
VIBRATION SYSTEM

Front, rear, and dual drum vibration control modes
 Auto vibration stop in neutral
 Dual-mode vibratory system

OPTIONAL EQUIPMENT

OTHER

Cab with heat and ventilation
 Cab air conditioning
 Radio mounting with 2 speakers and antenna – no radio
 Rotating beacon
 Right side edge cutter (45 or 60 degrees)
 Right and left side edge cutters (45 or 60 degrees)
 Tiltable scrapers – front and rear
 Infrared thermometer
 Cab mounted LED work lights
 360 degree night illumination kit
 Left hand control lever – in addition to the right hand lever
 ACE Force Intelligent Compaction
 CASE SiteWatch



Line drawings are for illustrative purpose only and may not be exact representation of unit.

DIMENSIONS

| | |
|---------------------|-----------------------|
| A. Wheelbase | 11 ft 5 in (3 480 mm) |
| B. Drum diameter | 48 in (1 220 mm) |
| C. Curb clearance | 11.8 in (300 mm) |
| D. Side clearance | 30.7 in (780 mm) |
| E. Overall height | 9 ft 10 in (3 000 mm) |
| F. Overall length | 15 ft 5 in (4 720 mm) |
| G. Compaction width | 66 in (1 680 mm) |
| H. Overall width | 71 in (1 800 mm) |
| I. Drum thickness | 0.9 in (22 mm) |
| Drum offset | 6.7 in (170 mm) |

CaseCE.com

©2017 CNH Industrial America LLC. All rights reserved. CASE is a trademark registered in the United States and many other countries, owned by or licensed to CNH Industrial N.V., its subsidiaries or affiliates. CNH Industrial Capital is a trademark in the United States and many other countries, owned by or licensed to CNH Industrial N.V., its subsidiaries or affiliates. Printed in U.S.A. Contains 10% post-consumer fiber.

IMPORTANT: CASE Construction Equipment Inc. reserves the right to change these specifications without notice and without incurring any obligation relating to such change. Availability of some models and equipment builds vary according to the country in which the equipment is used. The illustrations and text may include optional equipment and accessories and may not include all standard equipment. Your CASE dealer/distributor will be able to give you details of the products and their specifications available in your area.



CASE Construction Equipment is biodiesel-friendly. NOTE: All engines meet current EPA emissions regulations. All specifications are stated in accordance with SAE Standards or Recommended Practices, where applicable.



Always read the Operator's Manual before operating any equipment. Inspect equipment before using it, and be sure it is operating properly. Follow the product safety signs and use any safety features provided.

Form No. CCE201712DV209DHF
 Replaces Form No. CCE201703DV209DHF

DV209D HF

2 of 2