



ENGINE

Make	Deutz TCD 3.6 L4
Emissions Certification	Tier 4 Final Certified
Type	Diesel
Cylinders	4
Displacement	221 in ³ (L)
Horsepower @ 2200 RPM	100 hp (74.4 kW)
Max. torque @ 1600 RPM	302.4 lb-ft (410 Nm)

DRIVETRAIN

Drive	Hydrostatic
Maximum speed	6.5 mph (10.5 kph)
Service brake	SAHR
Parking brake	Multi-disc
Emergency brake	Multi-disc
Drum drive	Front and rear drums
Drive motors – dual	1 x each drum
Drive motor pump	Variable displacement axial piston
Gradeability	30%

ELECTRICAL

Voltage	24 Volts
Battery	12-volt @ 420 CCA
Halogen work lights	4 (55 watt/front and rear)
Turn signals & four-way flashers	Left/right

OPERATOR ENVIRONMENT

Operator work stations	1
Seat – multi-position/suspension	1
Seat position	Rotating and pivoting
Lever travel control	1
Seat-belt – retractable	3 in (76.2 mm)
Steering column	Adjustable up/down
Rearview mirrors	2 – front frame mounted

OPERATING WEIGHT

Operating weight	22,930 lb (10 400 kg)
w/ cab option – add	970 lb (440 kg)
Front drum load	11,490 lb (5 210 kg)
Front drum linear load	173.6 lb/in (31 kg/cm)
Rear drum load	11,440 lb (5 190 kg)
Rear drum linear load	173 lb/in (30.9 kg/cm)
Single side edge cutter	330 lb (150 kg)
Double side edge cutter	660 lb (300 kg)

SERVICE CAPACITIES

Fuel tank	58.1 gal (220 L)
Engine oil	9.5 qt (9 L)
SCR tank	5.8 gal (22 L)
Hydraulic system – reservoir	16 gal (60 L)
Vibration system – each drum	2 gal (7.5 L)

OTHER SPECIFICATIONS

Steering:	
Pump type	Gear
Steering cylinders	2
Steering angle – left and right	31°
Oscillation angle +/-	6°
Inside turning radius	215 in (5 470 mm)
Outside turning radius	293 in (7 450 mm)

Water system:	
Water tank	222 gal (840 L) front frame mount
Water tank	Polyethylene
Water feed	Pressurized
Pumps	2
Fill ports	2
Filtration stages	3

Vibratory system:	
System design	Closed center
Pump type	Gear
Fixed displacement hydraulic motors	2
Vibration	Eccentric
Drum vibration	Front only/Rear only Front and rear

Frequency:	
Low	2,520 vpm (42 Hz)
High	3,120 vpm (52 Hz)
Amplitude:	
Low	0.014 in (0.35 mm)
High	0.032 in (0.82 mm)
Centrifugal force:	
Low	17,535 lb (78 kN)
High	26,977 lb (120 kN)

STANDARD EQUIPMENT

OTHER

Fixed ROPS/FOPS Canopy
Articulated chassis
Deutz TCD 3.6 L4/Tier 4 Final engine
Hydrostatic drive for both drums
Vulcollon drum scrapers – fixed
Machined tapered drum edges
Spin-on fuel, engine oil and hydraulic filters
Master disconnect switch
4-point lift and tie down provision
Worklights w/ turn signals
Back-up alarm
Brake release
Drum offset – crab steer

OPERATOR ENVIRONMENT

Iso-mounted operator's platform
Anti-Vandal Covers
Multi-position shifting suspension seat
w/ foldable armrests
Adjustable steering column
Single lever speed and direction control w/
vibration on/off control
Speed selector
Smooth start and stop
Return to center – offset
Handrails
Tool box
3 in retractable seat-belt
Emergency stop button
Seat safety switch

INSTRUMENT PANEL

Intelligent intergrated display screen
Ignition lockout
Hour meter
Throttle control
Manual or auto vibration control
Water tank level
Fuel tank level
Vibration frequency
Sprinkler intensity

INDICATOR LIGHTS

Battery
Coolant level
Engine temperature warning
Air filter
Hydraulic filter
Hydraulic oil level
Parking brake
Fuel filter
Sprinkler on/off

MONITOR DISPLAY PANEL

Engine RPM
 Engine hours
 Fuel rate
 System voltage
 % engine load at current RPM
 Coolant temperature
 Oil pressure
 Fuel economy
 Current fuel consumption
 Active service codes

WATER SYSTEM

Pressurized water system
 Dual fill port water tank
 3-stage water filtration
 Water system on/off
 Water system drain
 Adjustable sprinkler volume control

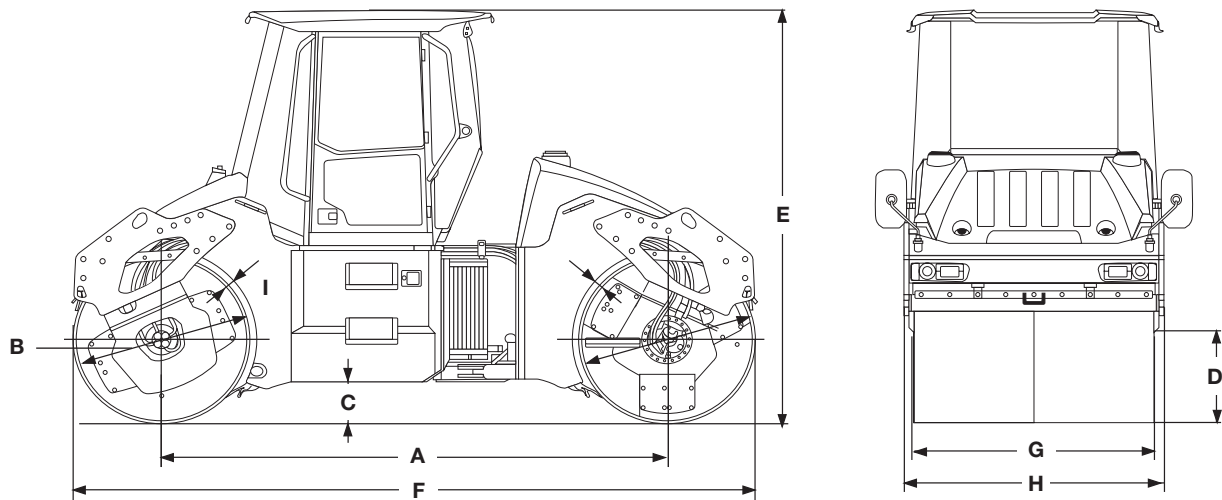
VIBRATION SYSTEM

Front, rear, and dual drum vibration control modes
 Auto vibration stop in neutral
 Dual-mode vibratory system

OPTIONAL EQUIPMENT

OTHER

Cab with heat and ventilation
 Cab air conditioning
 Radio mounting with 2 speakers and antenna – no radio
 Rotating beacon
 Right side edge cutter (45 or 60 degrees)
 Right and left side edge cutters (45 or 60 degrees)
 Tiltable scrapers – front and rear
 Infrared thermometer
 Cab mounted LED work lights
 360 degree night illumination kit
 Left hand control lever – in addition to the right hand lever
 ACE Force Intelligent Compaction
 CASE SiteWatch



Line drawings are for illustrative purpose only and may not be exact representation of unit.

DIMENSIONS

A. Wheelbase	11 ft 5 in (3 500 mm)
B. Drum diameter	48 in (1 220 mm)
C. Curb clearance	11.8 in (300 mm)
D. Side clearance	30.7 in (780 mm)
E. Overall height	9 ft 10 in (3 000 mm)
F. Overall length	15 ft 5 in (4 720 mm)
G. Compaction width	66 in (1 680 mm)
H. Overall width	71 in (1 800 mm)
I. Drum thickness	0.9 in (22 mm)
Drum offset	6.7 in (170 mm)

CaseCE.com

©2017 CNH Industrial America LLC. All rights reserved. CASE is a trademark registered in the United States and many other countries, owned by or licensed to CNH Industrial N.V., its subsidiaries or affiliates. CNH Industrial Capital is a trademark in the United States and many other countries, owned by or licensed to CNH Industrial N.V., its subsidiaries or affiliates. Printed in U.S.A. Contains 10% post-consumer fiber.

IMPORTANT: CASE Construction Equipment Inc. reserves the right to change these specifications without notice and without incurring any obligation relating to such change. Availability of some models and equipment builds vary according to the country in which the equipment is used. The illustrations and text may include optional equipment and accessories and may not include all standard equipment. Your CASE dealer/distributor will be able to give you details of the products and their specifications available in your area.



CASE Construction Equipment is biodiesel-friendly. NOTE: All engines meet current EPA emissions regulations. All specifications are stated in accordance with SAE Standards or Recommended Practices, where applicable.



Always read the Operator's Manual before operating any equipment. Inspect equipment before using it, and be sure it is operating properly. Follow the product safety signs and use any safety features provided.

Form No. CCE201712DV210D
 Replaces Form No. CCE201703DV210D

DV210D

2 of 2