



ENGINE

| | |
|-----------------------------------|--|
| Make | Kubota D1803 |
| Emissions Certification | Tier 4 Final |
| Type | Diesel |
| Cylinders | 3 |
| Bore/Stroke | 3.46 x 3.54 in (88 x 90 mm) |
| Displacement | 111 in ³ (1 826 cm ³) |
| Fuel | #2 Diesel |
| Cooling | Liquid |
| Rated engine speeds | 2100/2400 RPM |
| Horsepower @ 2400 RPM: | |
| Gross | 33.5 hp (25 kW) |
| Maximum Engine Torque @ 1500 RPM: | |
| | 85.4 lb ft (115.8 Nm) |

DRIVETRAIN

| | |
|------------------------------|--------------------|
| Drive | Hydrostatic |
| Max. working speed | 3.7 mph (6.0 kph) |
| Max. travel speed | 6.8 mph (11 kph) |
| Service brake | Hydrostatic |
| Parking brake | SAHR |
| Emergency brake | SAHR |
| Drive pump motors: | |
| Variable displacement | 1 |
| Fixed displacement | 2 |
| Max. relief pressure | 5,221 psi (36 MPa) |
| Gradeability (vibration off) | 35% (35%) |

ELECTRICAL

| | |
|--------------------------|---------------|
| Voltage | 12 Volts |
| Battery | 1 x 12 Volt |
| Battery reserve capacity | 77 Ah/20 hour |
| Cold cranking amps | 760 CCA |

OPERATOR ENVIRONMENT

Insulated from chassis by flexible shock absorbers; Handrail; Instrument panel; Anti-vandal guard; Lateral sliding seat; Foldable ROPS protection; Electronic single lever speed

and direction control with integrated RPM setting, parking brake, vibration, drum sprinkling, edge cutting activation (up/down).

OPERATING WEIGHT

| | |
|--------------------------|-----------------------|
| Operating weight | 4,600 lb (2 085 kg) |
| Max. weight | 5,040 lb (2 285 kg) |
| Front static linear load | 20 lb/in (10.9 kg/cm) |

SERVICE CAPACITIES

| | |
|------------------------------|------------------|
| Fuel tank | 9.2 gal (35 L) |
| Engine oil | 7.4 qt (7 L) |
| Cooling system | 7.1 qt (6.7 L) |
| Hydraulic system – reservoir | 7.5 gal (28.5 L) |
| Water tank | 50.2 gal (190 L) |
| Emulsion tank | 3.2 gal (12 L) |

OTHER SPECIFICATIONS

| | |
|---------------------------------|-------------------------|
| Steering: | |
| Type | Oscillation/Articulated |
| Method | Hydrostatic |
| Pump type | Gear |
| Steering angle – left and right | 30° |
| Oscillation angle +/- | 6.5° |
| Inside turning radius | 103.5 in (2 630 mm) |
| Outside turning radius | 147.6 in (3 750 mm) |

| | |
|-----------------------|--------------------|
| Front drum vibration: | |
| System design | Series |
| Pump type | Gear |
| Drum vibration | Front |
| Frequency: | |
| Low | 3,480 vpm (58 Hz) |
| High | 3,960 vpm (66 Hz) |
| Number of amplitudes | 1 |
| Amplitude | 0.021 in (0.53 mm) |
| Centrifugal force | 9,217 lb (41 kN) |

| | |
|-----------------|------------------|
| Rear tires: | |
| Number of tires | 4 |
| Size of tires | 8/60-15 |
| Tire-axle width | 38.2 in (970 mm) |

STANDARD EQUIPMENT

OTHER

Foldable ROPS
Anti-vandal guard
Hydrostatic drive
Articulated chassis
Hydraulic oil cooler
Backup alarm
Tapered drum edges
2 adjustable Vulcollon scrapers – front drum
Master disconnect switch
Horn
Hourmeter
4-point lift and tie down provision

Flip open hood
Spin-on fuel, engine oil, and hydraulic filters
Steering wheel spinner knob

OPERATOR ENVIRONMENT

Lateral shifting suspension seat
3 in (76.2 mm) retractable seat belt
Drive lever with vibration and water switch
Emergency stop button
Electric fuse protection

INDICATOR LIGHTS

Battery
Engine oil pressure
Intake preheater
Engine temperature
Parking brake on/off
Hydraulic oil temperature
Low fuel indicator
Worklight indicator
Turn signal indicator
Fuel gauge
Operator hours

WATER SYSTEM

Pressurized water system
2-stage water filtration
Water system drains
50.2 gal (190 L) Polyethylene water tank

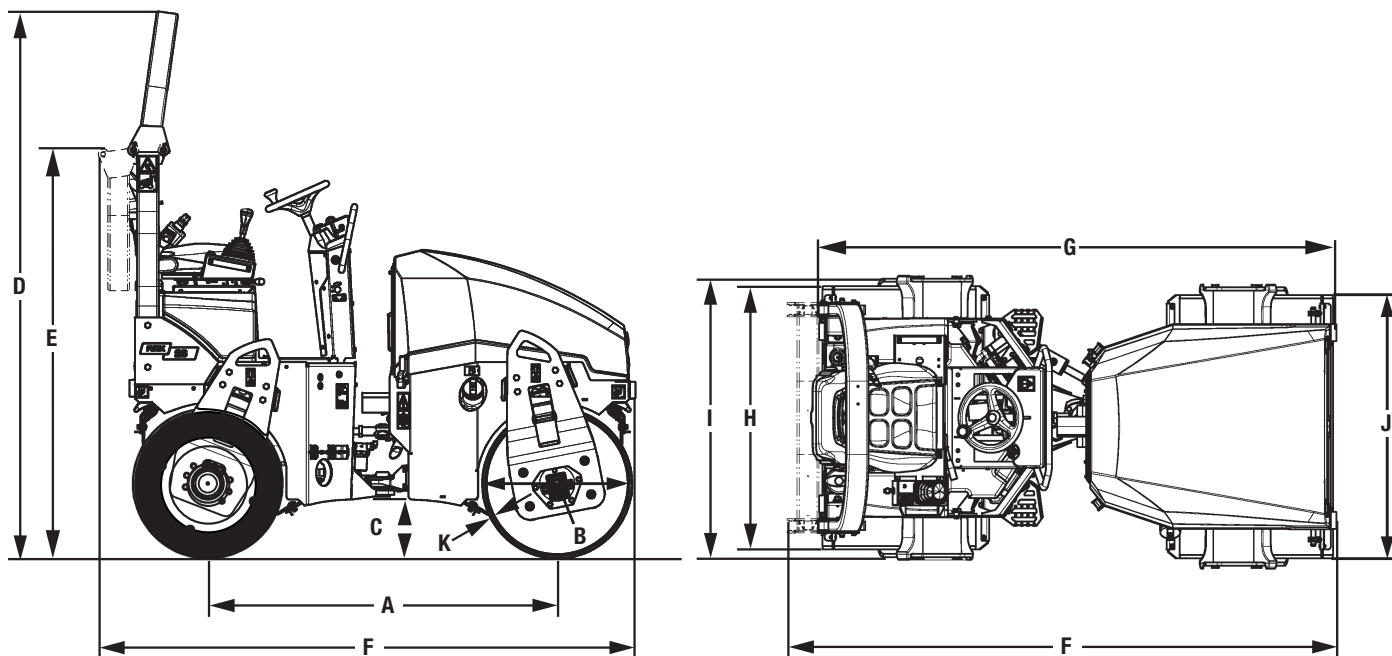
VIBRATION SYSTEM

Dual frequency vibration
Front drum vibration control
Auto vibration stop in neutral

OPTIONAL EQUIPMENT

OTHER

Rotating beacon
Weather canopy
Steel canopy
2 in (51 mm) retractable seat belt
Tiltable drum scraper
Infrared thermometer
Edge cutter
2 Front and 1 Rear road light, turn signals and flashers
Traction assist
2 lights on ROPS (N/A on Weather Canopy)
Arm rests on seat
Right & Left Side drive levers
Heated seat
ACE Force Intelligent compaction
Locking water tank cap



Line drawings are for illustrative purpose only and may not be exact representation of unit.

DIMENSIONS

| | |
|-------------------------------|---------------------|
| A. Wheelbase | 68.5 in (1 740 mm) |
| B. Drum diameter | 27.4 in (695 mm) |
| C. Ground clearance | 11.0 in (280 mm) |
| D. Overall height | 100.4 in (2 550 mm) |
| E. Folded ROPS height | 76.2 in (1 935 mm) |
| F. Overall length - ROPS down | 101.8 in (2 585 mm) |
| G. Overall length - ROPS up | 98.4 in (2 500 mm) |
| H. Drum width | 39.4 in (1 000 mm) |
| I. Overall width | 44.1 in (1 120 mm) |
| J. Front drum width | 39.4 in (1 000 mm) |
| K. Front drum thickness | 0.5 in (13 mm) |

CaseCE.com

©2020 CNH Industrial America LLC. All rights reserved. CASE is a trademark registered in the United States and many other countries, owned by or licensed to CNH Industrial N.V., its subsidiaries or affiliates. CNH Industrial Capital is a trademark in the United States and many other countries, owned by or licensed to CNH Industrial N.V., its subsidiaries or affiliates. Printed in U.S.A. Contains 10% post-consumer fiber.

IMPORTANT: CASE Construction Equipment Inc. reserves the right to change these specifications without notice and without incurring any obligation relating to such change. Availability of some models and equipment builds vary according to the country in which the equipment is used. The illustrations and text may include optional equipment and accessories and may not include all standard equipment. Your CASE dealer/distributor will be able to give you details of the products and their specifications available in your area.



CASE Construction Equipment is biodiesel-friendly. NOTE: All engines meet current EPA emissions regulations. All specifications are stated in accordance with SAE Standards or Recommended Practices, where applicable.



Always read the Operator's Manual before operating any equipment. Inspect equipment before using it, and be sure it is operating properly. Follow the product safety signs and use any safety features provided.

Form No. CCE202002DV23CE

DV23CE

2 of 2