



## ENGINE

Make	Kubota D1803CRT
Emissions Certification	Tier 4 Final
Type	Diesel
Cylinders	4
Bore/Stroke	3.46 x 3.54 in (88 x 90 mm)
Displacement	134.3 in <sup>3</sup> (2 189 cm <sup>3</sup> )
Fuel	#2 Diesel
Cooling	Liquid
Rated engine speeds	2500 RPM
Horsepower @ rated RPM:	
Gross	43.9 hp (32.8 kW)
Net	43.5 hp (32.8 kW)

## DRIVETRAIN

Drive	Hydrostatic
Max. working speed	3.7 mph (6.0 kph)
Max. travel speed	6.2 mph (10.0 kph)
Service brake	Hydrostatic
Parking brake	SAHR
Emergency brake	SAHR
Drive pump motors:	
Variable displacement	1
Fixed displacement	2
Max. relief pressure	6,454 psi (44.5 MPa)
Gradeability (vibration off)	30% (40%)

## ELECTRICAL

Voltage	12 Volts
Battery	1 x 12 Volt
Battery reserve capacity	77 Ah/20 hour
Cold cranking amps	760 CCA

## OPERATOR ENVIRONMENT

Insulated from chassis by flexible shock absorbers; Handrail; Instrument panel; Anti-vandal guard; Lateral sliding seat; Foldable ROPS protection; Smooth single lever speed and direction control w/vibration and water on/off controls.

## OPERATING WEIGHT

Operating weight	9,520 lb (4 320 kg)
Front static linear load	94.8 lb/in (16.9 kg/cm)
Rear wheel load	1,120 lb (508 kg)

## SERVICE CAPACITIES

Fuel tank	15.6 gal (59 L)
Engine oil	39.1 qt (37 L)
Hydraulic system – reservoir	9.8 gal (37 L)
Water tank	92.5 gal (350 L)

## OTHER SPECIFICATIONS

Steering:	
Type	Oscillation/Articulated
Method	Hydrostatic
Pump type	Gear
Steering angle – left and right	32°
Oscillation angle +/-	8°
Inside turning radius	103 in (2 621 mm)
Outside turning radius	161 in (4 084 mm)
Water system:	
Water tank	92.5 gal (350 L) front frame mount
Water tank	Polyethylene
Water feed	Pressurized
Filtration stages	2
Front drum vibration:	
System design	Series
Pump type	Gear
Drum vibration	Front
Number of amplitudes	2
Frequency:	
Low	2,700 vpm (45 Hz)
High	3,420 vpm (57 Hz)
Amplitude:	
Low	0.01 in (0.34 mm)
High	0.02 in (0.55 mm)
Centrifugal force	12,364 lb (55 kN)
Rear tires:	
Number of tires	4
Size of tires	10.5/80-16
Tire-axle width	50.2 in (1 275 mm)

## STANDARD EQUIPMENT

### OTHER

Foldable ROPS  
Anti-vandal guard  
Hydrostatic drive  
Articulated chassis  
Hydraulic oil cooler  
Backup alarm  
Tapered drum edges  
2 adjustable Vulcollon scrapers – front drum  
Master disconnect switch  
Horn  
Hourmeter  
4-point lift and tie down provision  
Flip open hood  
Spin-on fuel, engine oil, and hydraulic filters  
Steering wheel spinner knob

## OPERATOR ENVIRONMENT

Lateral shifting suspension seat  
2 in (51 mm) retractable seat belt  
Drive lever with vibration and water switch  
Emergency stop button  
Electric fuse protection

## INDICATOR LIGHTS

Battery  
Engine oil pressure  
Intake preheater  
Engine temperature  
Parking brake on/off  
Hydraulic oil temperature  
Low fuel indicator  
Worklight indicator  
Turn signal indicator  
Fuel gauge  
Operator hours

## WATER SYSTEM

Pressurized water system  
2-stage water filtration  
Water system drains  
53 gallon (200 L) Polyethylene water tank

## VIBRATION SYSTEM

Dual vibration  
Dual frequency vibration  
Front drum vibration control  
Auto vibration stop in neutral

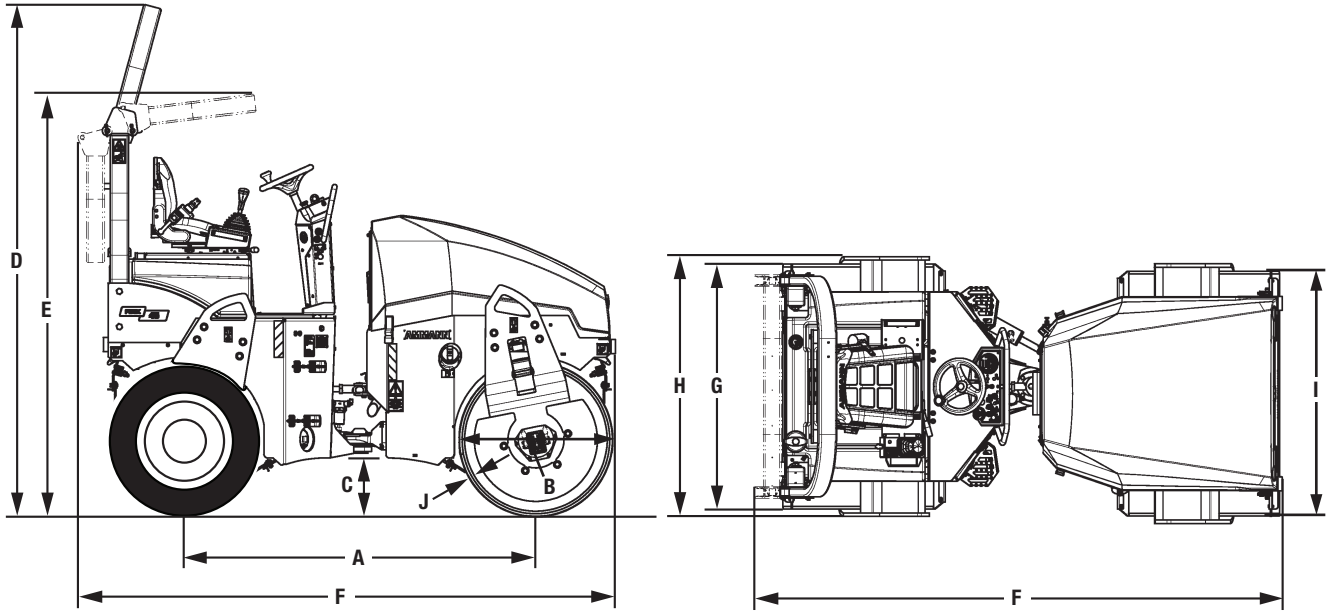
## OPTIONAL EQUIPMENT

### OTHER

Rotating beacon  
Weather canopy  
Steel canopy  
3 in wide seat belt  
Tiltable drum scraper  
Infrared thermometer  
Edge cutter

2 Front and 1 Rear road light, turn signals and flashers  
Traction assist  
2 lights on ROPS (N/A on Weather Canopy)  
Arm rests on seat  
Right & Left Side drive levers

Heated seat  
ACE Force Intelligent compaction  
Locking water tank cap



Line drawings are for illustrative purpose only and may not be exact representation of unit.

### DIMENSIONS

A. Wheelbase	78.7 in (2 000 mm)
B. Front drum diameter	33.5 in (850 mm)
C. Ground clearance	13.0 in (330 mm)
D. Overall height	111.8 in (2 840 mm)
E. Folded ROPS height	84.6 in (2 150 mm)
F. Overall length	118.1 in (3 000 mm)
G. Rear tire width	50.2 in (1 275 mm)
H. Overall width	57.5 in (1 460 mm)
I. Front drum width	51.2 in (1 380 mm)
J. Front drum thickness	0.7 in (18 mm)

CaseCE.com

©2019 CNH Industrial America LLC. All rights reserved. CASE is a trademark registered in the United States and many other countries, owned by or licensed to CNH Industrial N.V., its subsidiaries or affiliates. CNH Industrial Capital is a trademark in the United States and many other countries, owned by or licensed to CNH Industrial N.V., its subsidiaries or affiliates. Printed in U.S.A. Contains 10% post-consumer fiber.

IMPORTANT: CASE Construction Equipment Inc. reserves the right to change these specifications without notice and without incurring any obligation relating to such change. Availability of some models and equipment builds vary according to the country in which the equipment is used. The illustrations and text may include optional equipment and accessories and may not include all standard equipment. Your CASE dealer/distributor will be able to give you details of the products and their specifications available in your area.



CASE Construction Equipment is biodiesel-friendly. NOTE: All engines meet current EPA emissions regulations. All specifications are stated in accordance with SAE Standards or Recommended Practices, where applicable.



Always read the Operator's Manual before operating any equipment. Inspect equipment before using it, and be sure it is operating properly. Follow the product safety signs and use any safety features provided.

Form No. CCE201904DV45CD  
Replaces Form No. CCE201903DV45CD

DV45CD

2 of 2