



## ENGINE

Make	Deutz
Emissions Certification	Tier 4 Final
Model	TCD3.6 L4
Type	Turbocharged / Liquid-cooled
Cylinders	4
Displacement	221 in <sup>3</sup> (3 621 cm <sup>3</sup> )
Horsepower @ 2000 RPM	100 hp (74.4 kW)
Max. torque @ 1600 RPM	302 lbf-ft (410 N-m)

## DRIVETRAIN

Drive	Hydrodynamic
F/R travel speed range	3
Working speeds	mph (kph)
1st – max.	3.1 (5)
2nd – max.	6.8 (11)
3rd – max.	11.8 (19)
Max. travel speed	11.8 (19)
Service brake	Hydrostatic Disc
Parking	Mechanical Disc
Emergency	Mechanical Disc
Independent front axles	2
Gradeability %	25%

## ELECTRICAL

Voltage	24 volts
Battery	2 x 55 Ah
Amp hour	100
Cold cranking amps	420

## OPERATOR ENVIRONMENT

Operator work stations	2
Seats (vinyl/suspension)	2
Seatbelt (retractable)	3 in (76 mm)
Rearview mirrors	2 (side mounted)

## OPERATING WEIGHT

Operating weight	21,380 lb (9 700 kg)
w/ cab option (add)	1,270 lb (576 kg)
Max. operating weight	52,910 lb (24 000 kg)
Max. ballast	52,910 lb (24 000 kg)
One wheel load minimum	2,566 lb (1 164 kg)
One wheel load maximum	6,614 lb (3 000 kg)
Compaction width (max.)	78.2 in (1 986 mm)

## SERVICE CAPACITIES

Fuel tank	66 gal (250 L)
Engine oil	2.5 gal (9.5 L)
Hydraulic reservoir	5.8 gal (22 L)

## OTHER SPECIFICATIONS

Steering:	
Steering type	Hydrostatic
Axles	4
Front axle	Isostatic w/ 2-pivot points
Rear axle	Driven 2 tire pairs w/ Diff. lock as option
Steering angle (+/-)	32°
Oscillation angle +/- (front axle)	3°
Inside turning radius:	
Left	244.1 in (6 200 mm)
Right	240.2 in (6 100 mm)
Outside turning radius:	
Left	393.7 in (10 000 mm)
Right	346.5 in (8 800 mm)
Water system:	
Water tank	103 gal (390 L)
Tank type	Polyethylene
Water feed	Pressurized
Watering pumps	1
Water filtration stages	1
Tires:	
Tire pressure	108.8 psi (0.75 MPa)
Number of tires	8
Size of tires	11 x 20"

## STANDARD EQUIPMENT

### OTHER

Fixed ROPS Open Platform with hand rails  
Anti-vandal cover  
Halogen worklights x 4 (55 watt / front and rear)  
Turn signal indicator (left and right)  
Breaklights  
Tilt open hood  
Backup alarm  
Master disconnect switch  
Lift and tie down provision - 4-point  
Electric fuse protection  
Spin-on fuel, engine oil and hydraulic filters  
Brush scrapers on each tire

## OPERATOR ENVIRONMENT

Retractable seat belt - 3 in (76 mm)  
Dual operator stations  
Suspension seats with foldable arm rests  
Emergency stop button  
Lockable tool box

## INSTRUMENT PANEL

Steering wheel spinner knob  
Horn  
Hourmeter

## INDICATOR LIGHTS

Battery  
Engine oil pressure  
Intake preheater  
Engine temperature  
Parking brake  
Sprinkler system ON/OFF

## MONITOR DISPLAY PANEL

Engine RPM  
Engine hours  
Fuel rate  
System voltage  
% engine load at current RPM  
Coolant temperature  
Oil pressure  
Fuel economy  
Current fuel consumption

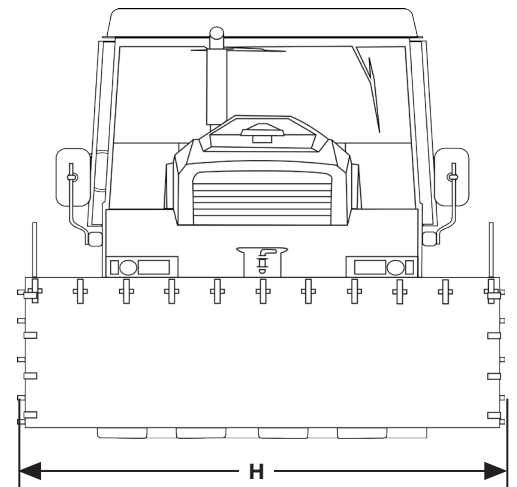
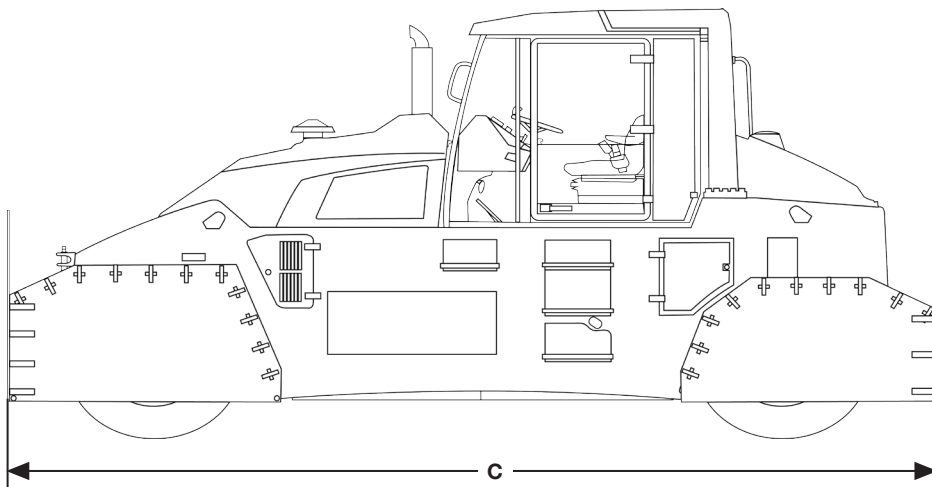
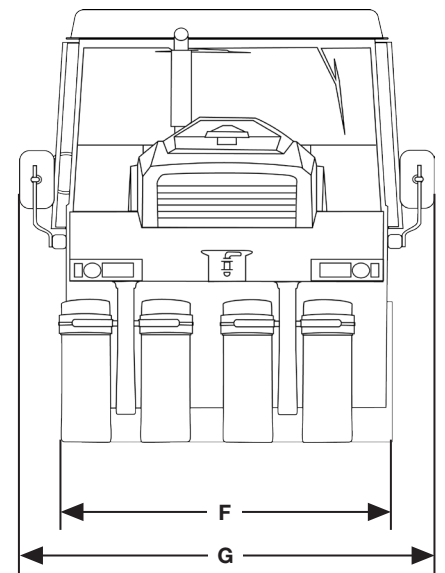
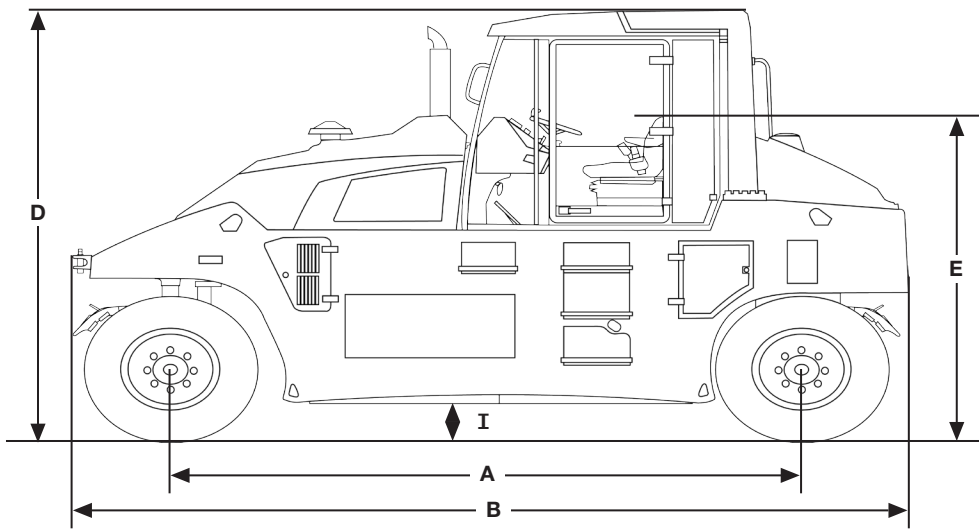
## WATER SYSTEM

Pressurized water system  
Water filtration - single stage  
Watering system drains

## OPTIONAL EQUIPMENT

### OTHER

Cab w/ heat  
Cab air-conditioning  
Radio mounting w/ 2 speakers and antenna  
Cocoa mat scrapers  
Thermal aprons  
Scrap metal for ballast  
Tiltable scrapers (spring applied)  
Rotating beacon  
Air precleaner  
Spare tire with rim  
Radial tires  
Water tight chassis ballast compartment  
460 liters - 122 gallons  
Edge cutter  
Spare Rim, no tire  
Differential lock (rear only)  
CASE SiteWatch™ Telematics – includes hardware and a 3-yr Advanced data subscription



Line drawings are for illustrative purpose only and may not be exact representation of unit.

### DIMENSIONS

<b>A.</b> Wheelbase	148.8 in (3 780 mm)
<b>B.</b> Overall length	198.0 in (5 030 mm)
<b>C.</b> Overall length w/ thermal aprons	227.6 in (5 780 mm)
<b>D.</b> Overall height	123.2 in (3 130 mm)
<b>E.</b> Seat height	93.7 in (2 380 mm)
<b>F.</b> Compaction width	78.2 in (1 986 mm)
<b>G.</b> Overall width of fixed parts	82.7 in (2 100 mm)
<b>H.</b> Overall width of fixed parts w/ thermal aprons	90.9 in (2 310 mm)
<b>I.</b> Ground clearance	11 in (280 mm)
Ground clearance w/ ballast plate under machine	9.8 in (250 mm)

## CaseCE.com

©2020 CNH Industrial America LLC. All rights reserved. CASE is a trademark registered in the United States and many other countries, owned by or licensed to CNH Industrial N.V., its subsidiaries or affiliates. CNH Industrial Capital is a trademark in the United States and many other countries, owned by or licensed to CNH Industrial N.V., its subsidiaries or affiliates. Printed in U.S.A. Contains 10% post-consumer fiber.

**IMPORTANT:** CASE Construction Equipment Inc. reserves the right to change these specifications without notice and without incurring any obligation relating to such change. Availability of some models and equipment builds vary according to the country in which the equipment is used. The illustrations and text may include optional equipment and accessories and may not include all standard equipment. Your CASE dealer/distributor will be able to give you details of the products and their specifications available in your area.



CASE Construction Equipment is biodiesel-friendly. NOTE: All engines meet current EPA emissions regulations. All specifications are stated in accordance with SAE Standards or Recommended Practices, where applicable.



Always read the Operator's Manual before operating any equipment. Inspect equipment before using it, and be sure it is operating properly. Follow the product safety signs and use any safety features provided.

Form No. CCE202001PT240D  
Replaces Form No. CCE201910PT240D

PT240D

2 of 2