



ENGINE

Make	Deutz
Emissions Certification	Tier 4 Final
Model	TCD3.6 L4
Gross horsepower @ 2200 RPM:	134 hp (100 kW)
Max. torque @ 1600 RPM	368.8 lbf-ft (500 N-m)

DRIVETRAIN

Drive	Hydrostatic
F/R travel speed range	5+1
Working speeds	mph (kph)
1st – max.	1.6 (2.5)
2nd – max.	2.3 (3.7)
3rd – max.	3.1 (5)
4th – max.	4.7 (7.6)
Max. travel speed	7.5 (12)
Parking brake	Multiple-disc spring brake
Emergency brake	Multiple-disc spring brake
Variable displacement axial piston type wheel drive pump	1
Hydraulic fixed displacement wheel drive motors	2
Drive motor interlock	Yes
Hydraulic variable displacement drum drive motor	1
Gradeability w/o traction assist	54%
w/ HX Drive Traction Assist	67%
Lateral stability during driving w/o vibration:	25%

ELECTRICAL

Voltage	24 Volts
Battery	2 x 90 amp
Alternator	45 amp

OPERATOR ENVIRONMENT

Isolated from chassis by flexible shock absorbers; Handrail; Dual rearview mirrors; Front lighting; Instrument panel anti-vandal guard; Vinyl suspension seat w/ armrests and 3 in (76.2 mm) retractable seat belt; Exceptional front/rear visibility.

OPERATING WEIGHT

Weight - Smooth drum:	
Operating weight w/o cab	25,630 lb (11 625 kg)
Max. weight w/ cab	29,610 lb (13 430 kg)
Static linear load	169.6 lb/in (30.3 kg/cm)

Weight - Padfoot drum:	
Operating weight w/o cab	26,860 lb (12 183 kg)
Max. weight w/ cab	27,650 lb (12 542 kg)

Weight of Blade (opt.)	1,970 lb (895 kg)
------------------------	-------------------

SERVICE CAPACITIES

Fuel tank	91.1 gal (345 L)
Engine oil	2.6 gal (10 L)
Diesel exhaust fluid tank	5.8 gal (22 L)
Engine coolant	8.6 gal (32.5 L)
Hydraulic system	20.1 gal (76 L)
Transmission	0.4 gal (1.5 L)
Drive axle	0.4 gal (1.5 L)
Vibration system	1.9 qt (7.3 L)

OTHER SPECIFICATIONS

Steering:	
Pump – gear type	1
Cylinders	2
Angle – left and right	36°
Oscillation angle	10°
Inside turning radius	142.9 in (3 630 mm)
Outside turning radius	250.6 in (6 365 mm)

Vibratory system:	
Hydraulic circuit type	Closed
Variable displacement axial piston type pump	1
Fixed displacement hydraulic motor	1
Vibration modes	2
Vibration	2 eccentric weights circular pattern/continuously adjustable

Frequency:	
Low	1,860 vpm (31 Hz)
High	2,100 vpm (35 Hz)
Amplitude:	
Low	0.033 in (0.83 mm)
High	0.077 in (1.96 mm)
Centrifugal force:	
Low	34,845 lb (155 kN)
High	64,070 lb (285 kN)

Tires:	
Size	23,1x26"
Smooth drum	UK 5 Diamond
Padfoot drum	TD-01 Tractor
Tire ballast	Traction tread only

STANDARD EQUIPMENT

OTHER

ROPS and FOPS protection
Hydrostatic drive for both drum and wheels
Steel drum scrapers
Diamond tread tires
Telematics ready

Interwheel differential lock
Articulated chassis
Front and rear tow points
4-point lift and tie-down provision
Fan guard
Backup alarm
Halogen work lights, 2F/2R
Master disconnect switch
Spring applied, hydraulic release parking brake
3 working speeds/1 transport speed
Spin-on fuel, engine oil and hydraulic filters,
Spring-assist tilting for engine hood

OPERATOR ENVIRONMENT

Lockable tool box
3 in (76.2 mm) retractable seat belt
Cup holder
Single lever speed/direction control
Emergency stop button
Steering wheel embedded monitor

INSTRUMENT PANEL

Steering wheel spinner knob
Horn

VIBRATION SYSTEM

Auto vibration control
Dual amplitude vibration
Dual frequency vibration

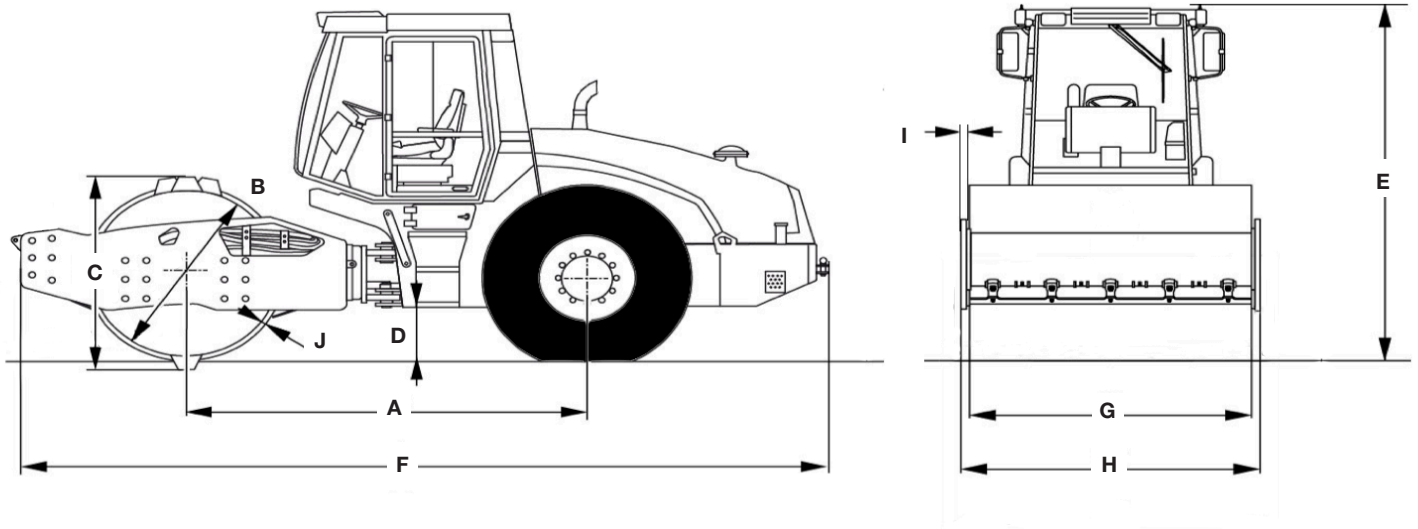
OPTIONAL EQUIPMENT

OTHER

Automatic Traction Control (ATC) with HX Drive propulsion system:
Standard on Padfoot models
Leveling Blade
Padfoot shell kit w/ scrapers
Pressurized cab with heat, ventilation, air conditioning and radio ready - antenna and 2 speakers/no radio
Engine filter pre-cleaner
ACI Eco - Analog Compaction Indicator
ACE Force Intelligent Compaction (Cab only)
ACE Force Printer (Cab only)
Extra front work lights (Smooth Drum only)
Traction Tread tires
Tire ballasting
Rotating beacon

TELEMATICS

CASE Sitewatch Telematics - includes hardware and a 3-yr Advanced data subscription



Line drawings are for illustrative purpose only and may not be exact representation of unit.

DIMENSIONS

A. Wheel base	117.7 in (2 990 mm)
B. Drum diameter w/ Smooth drum	59.1 in (1 500 mm)
C. Drum diameter w/ Padfoot drum	58.7 in (1 490 mm)
D. Ground clearance	16.9 in (430 mm)
E. Overall height	116.9 in (2 970 mm)
F. Overall length	232.3 in (5 900 mm)
G. Drum width	83.9 in (2 130 mm)
H. Overall width	89 in (2 260 mm)
I. Frame extensions	4 in (102 mm)
J. Drum thickness	1 in (25 mm)

CaseCE.com

©2020 CNH Industrial America LLC. All rights reserved. CASE is a trademark registered in the United States and many other countries, owned by or licensed to CNH Industrial N.V., its subsidiaries or affiliates. CNH Industrial Capital is a trademark in the United States and many other countries, owned by or licensed to CNH Industrial N.V., its subsidiaries or affiliates. Printed in U.S.A. Contains 10% post-consumer fiber.

IMPORTANT: CASE Construction Equipment Inc. reserves the right to change these specifications without notice and without incurring any obligation relating to such change. Availability of some models and equipment builds vary according to the country in which the equipment is used. The illustrations and text may include optional equipment and accessories and may not include all standard equipment. Your CASE dealer/distributor will be able to give you details of the products and their specifications available in your area.



CASE Construction Equipment is biodiesel-friendly. NOTE: All engines meet current EPA emissions regulations. All specifications are stated in accordance with SAE Standards or Recommended Practices, where applicable.



Always read the Operator's Manual before operating any equipment. Inspect equipment before using it, and be sure it is operating properly. Follow the product safety signs and use any safety features provided.

Form No. CCE202002SV211E

SV211E

2 of 2