



## ENGINE

Make	Deutz
Emissions Certification	Tier 4 Final
Model	TCD4.1 L4
Gross horsepower @ 2200 RPM:	154 hp (115 kW)
Max. torque @ 1600 RPM	449.2 lbf-ft (609 N-m)

## DRIVETRAIN

Drive	Hydrostatic
F/R travel speed range	3+1
Working speeds	mph (kph)
1st – max.	1.6 (2.5)
2nd – max.	2.2 (3.6)
3rd – max.	2.8 (4.5)
Max. travel speed	7.77 (12.5)
Parking brake	Multiple-disc spring brake
Emergency brake	Multiple-disc spring brake
Variable displacement axial piston type wheel drive pump	1
Hydraulic fixed displacement wheel drive motors	2
Drive motor interlock	Yes
Hydraulic variable displacement drum drive motor	1
Gradeability w/o traction assist	62%
w/ HX Drive Traction Assist	65%
Lateral stability during driving w/o vibration:	25%

## ELECTRICAL

Voltage	24 Volts
Battery	2 x 90 amp
Alternator	45 amp

## OPERATOR ENVIRONMENT

Isolated from chassis by flexible shock absorbers; Handrail; Dual rearview mirrors; Front lighting; Instrument panel anti-vandal guard; Vinyl suspension seat w/ armrests and 3 in (76.2 mm) retractable seat belt; Exceptional front/rear visibility.

## OPERATING WEIGHT

Weight - Smooth drum:	
Operating weight w/o cab	31,640 lb (14 350 kg)
Max. weight w/ cab	40,790 lb (18 500 kg)
Drum weight	11,352 lb (5 149 kg)
Static linear load	273.3 lb/in (48.8 kg/cm)
Tire ballast	2,650 lb (1 200 kg)

Weight - Padfoot drum:	
Operating weight w/o cab	31,440 lb (14 260 kg)
Max. weight w/ cab	40,790 lb (18 500 kg)
Tire ballast	2,650 lb (1 020 kg)

## SERVICE CAPACITIES

Fuel tank	92.5 gal (350 L)
Engine oil	3.57 gal (13.5 L)
Diesel exhaust fluid tank	5.8 gal (22 L)
Engine coolant	8.98 gal (34 L)
Hydraulic reservoir	24.3 gal (92 L)
Transmission	2.6 qt (2.5 L)
Drive axle	2.6 qt (2.5 L)
Vibration system	7.1 qt (6.7 L)

## OTHER SPECIFICATIONS

Steering:	
Pump – gear type	1
Cylinders	2
Angle – left and right	36°
Oscillation angle	10°
Inside turning radius	146.3 in (3 715 mm)
Outside turning radius	240.2 in (6 100 mm)

Vibratory system:	
Hydraulic circuit type	Closed
Variable displacement axial piston type pump	1
Fixed displacement hydraulic motor	1
Vibration modes	2
Vibration	2 eccentric weights circular pattern/continuously adjustable

Frequency:	
Low	1,740 vpm (29 Hz)
High	2,100 vpm (35 Hz)
Amplitude:	
Low	0.039 in (1.0 mm)
High	0.079 in (2.0 mm)
Centrifugal force:	
Low	53,054.9 lb (236 kN)
High	73,062.9 lb (325 kN)

Tires:	
Size	23,1x26"
Smooth drum	UK 5 Diamond
Padfoot drum	TD-01 Tractor
Tire ballast	Traction tread only

## STANDARD EQUIPMENT

### OTHER

ROPS and FOPS protection  
Hydrostatic drive for both drum and wheels  
Steel drum scrapers  
Diamond tread tires  
Telematics ready

Interwheel differential lock  
Articulated chassis  
Front and rear tow points  
4-point lift and tie-down provision  
Fan guard  
Backup alarm  
Halogen work lights, 2F/2R  
Master disconnect switch  
Spring applied, hydraulic release parking brake  
3 working speeds/1 transport speed  
Spin-on fuel, engine oil and hydraulic filters  
Electric tilting for engine hood and cab

## OPERATOR ENVIRONMENT

Lockable tool box  
3 in (76.2 mm) retractable seat belt  
Cup holder  
Single lever speed/direction control  
Emergency stop button  
LCD monitor

## INSTRUMENT PANEL

Steering wheel spinner knob  
Horn

## VIBRATION SYSTEM

Auto vibration control  
Dual amplitude vibration  
Dual frequency vibration

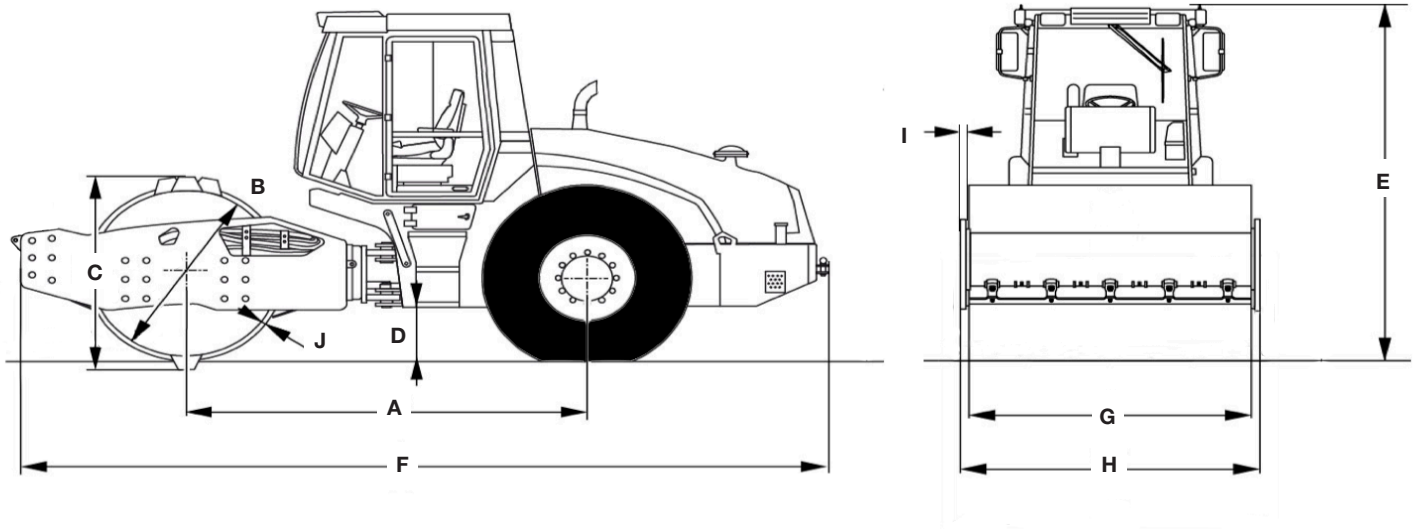
## OPTIONAL EQUIPMENT

### OTHER

Traction Assist Systems:  
Smooth Drum with Automatic Traction Control (ATC)  
Smooth Drum with Automatic Traction Control (ATC), HX Drive propulsion system and Tractor Tires ballasted  
Pad Foot Drum with Automatic Traction Control (ATC) and Tractor Tires ballasted  
Pad Foot Drum with Automatic Traction Control (ATC), HX Drive propulsion system and Tractor Tires ballasted  
Padfoot shell kit w/ scrapers  
Pressurized cab with heat, ventilation, air conditioning and radio ready - antenna and 2 speakers/no radio  
Engine filter pre-cleaner  
ACI Eco - Analog Compaction Indicator  
ACE Force Intelligent Compaction (Cab only)  
ACE Force Printer (Cab only)  
Extra front work lights (Smooth Drum only)  
Traction Tread tires  
Tire ballasting  
Rotating beacon

## TELEMATICS

CASE Sitewatch Telematics - includes hardware and a 3-yr Advanced data subscription



Line drawings are for illustrative purpose only and may not be exact representation of unit.

### DIMENSIONS

A. Wheel base	120.1 in (3 050 mm)
B. Drum diameter w/ Smooth drum	59.1 in (1 500 mm)
C. Drum diameter w/ Padfoot drum	64.6 in (1 640 mm)
D. Ground clearance	17.3 in (440 mm)
E. Overall height	121 in (3 050 mm)
F. Overall length	241.3 in (6 140 mm)
G. Drum width	83.8 in (2 130 mm)
H. Overall width	88.9 in (2 260 mm)
I. Frame extensions	4 in (102 mm)
J. Drum thickness	1.6 in (40 mm)

## CaseCE.com

©2018 CNH Industrial America LLC. All rights reserved. CASE is a trademark registered in the United States and many other countries, owned by or licensed to CNH Industrial N.V., its subsidiaries or affiliates. CNH Industrial Capital is a trademark in the United States and many other countries, owned by or licensed to CNH Industrial N.V., its subsidiaries or affiliates. Printed in U.S.A. Contains 10% post-consumer fiber.

IMPORTANT: CASE Construction Equipment Inc. reserves the right to change these specifications without notice and without incurring any obligation relating to such change. Availability of some models and equipment builds vary according to the country in which the equipment is used. The illustrations and text may include optional equipment and accessories and may not include all standard equipment. Your CASE dealer/distributor will be able to give you details of the products and their specifications available in your area.



CASE Construction Equipment is biodiesel-friendly. NOTE: All engines meet current EPA emissions regulations. All specifications are stated in accordance with SAE Standards or Recommended Practices, where applicable.



Always read the Operator's Manual before operating any equipment. Inspect equipment before using it, and be sure it is operating properly. Follow the product safety signs and use any safety features provided.

Form No. CCE201812SV216D  
Replaces Form No. CCE201801SV216D

SV216D

2 of 2