



## ENGINE

Model	FPT F4HFE613J
Emissions Certification	Tier 4 Final Certified
Cylinders	6
Displacement	409 in <sup>3</sup> (6.7 L)
Fuel injection	Common rail
Fuel	#2 Diesel
Fuel filter	Spin-on w/ in-line strainer
Air intake	Cross-flow
Cooling	Liquid
Engine speeds	RPM
High idle - no load	2200 +/- 50
Rated - full load	2000
Low idle	800 +/- 25
Horsepower @ 2000 RPM – SAE J1349:	
Net	214 hp (160 kW)
Gross	232 hp (173 kW)
Engine lubrication:	
Pump	Deep sump plate cooler w/ pressurized under-piston nozzles
Pump operating angle ratings:	
Side-to-side	35°
Fore and aft	45°
Oil filtration	Replaceable, spin-on full-flow cartridge
Radiator:	
Fins per inch	10
Fan:	
Type	Variable speed/ Auto reversing/Hydraulic driven
Diameter	27.6 in (700 mm)

## DRIVETRAIN

Dual path hydrostatic:	
Pump	Variable axial piston
Motor	Variable bent axis piston
Max. drawbar pull	81,000 lb (360 kN)
Transmission	Single lever control – electronic straight tracking
Transmission oil filter	4 micron at beta 75, replaceable w/ 100 mesh suction screen
Travel speeds:	
Forward	6.1 mph (9.8 kph)
Reverse	6.1 mph (9.8 kph)
Parking brakes	Heavy-duty, spring-applied, hydraulic pressure release
Steering brakes	Hydrostatic
Final drive	2 helical gear reduction to planetary output
Ratio	48.75:1
Transmission cooling:	
Type	Tube and fin
Core size	510.1 in <sup>2</sup> (0.33 m <sup>2</sup> )

## ELECTRICAL

Alternator	120 amp
Battery	(2) 12-volt, low-maintenance 1200 cold-cranking amps @ 0° F (-18° C)
Electrical System	24 Volts

## OPERATOR ENVIRONMENT

Fully enclosed ROPS cab; Single lever control for speed, steering and direction; Cloth air suspension seat w/ back adjustment; Retractable 2 in (51 mm) seat belt; Adjustable armrest; Two foot rest; Rearview mirror; Two door windshield wipers; Dome light; 12-volt accessory outlet; Headliner; Floor mat.

Warning lights:  
Air filter; Alternator; Diagnostic fault indicator; Engine coolant temperature; Engine oil pressure; Hydraulic filter; Low fuel level; Park brake engaged; Service soon indicator; Transmission filter; Transmission charge pressure.

Gauges:  
Battery voltage; Fuel level; Digital hour meter/tachometer/diagnostic/service reminder; Transmission oil temperature; Transmission speed indicator; Water temperature; Diesel Exhaust Fluid (DEF) level.

Audible warnings:  
Engine coolant temperature; Engine oil pressure; Low fuel level; Transmission charge pressure; Temperature/hydraulic temperature.

## OPERATING WEIGHT

Unit equipped w/ cab, full fuel tank, 170 lb (77 kg) operator, rear retrieval hitch, track guides, PAT blade.	
Extra long track	45,414 lb (20 599 kg)
Wide track	46,891 lb (21 269 kg)
Low ground pressure	48,773 lb (22 123 kg)
Add-on weights:	
Drawbar	146 lb (66 kg)
Ripper – 3 shank	4,145 lb (1 880 kg)
Winch	5,512 lb (2 500 kg)
Ultra-Life chain:	
24 in (610 mm)	320 lb (145 kg)
28 in (711 mm)	251 lb (114 kg)
30 in (762 mm)	295 lb (134 kg)
36 in (914 mm)	302 lb (137 kg)
Full rock guard	505 lb (229 kg)
Sweeps	139 lb (63 kg)

## HYDRAULICS

Pump flow @ 2200 RPM @ 2,830 psi (19 512 kPa)	40.4 gpm (153 L/min)
Lift cylinder w/ PAT	Two (2)
Bore diameter	4.50 in (114.3 mm)
Rod diameter	2.50 in (63.5 mm)
Stroke	19.21 in (488.0 mm)
Angle cylinder w/ PAT	Two (2)
Bore diameter	4.50 in (114.3 mm)
Rod diameter	2.50 in (63.5 mm)
Stroke	19.79 in (502.7 mm)
Tilt cylinder w/ PAT	One (1)
Bore diameter	5.00 in (127.0 mm)
Rod diameter	2.50 in (63.5 mm)
Stroke	5.84 in (148.4 mm)
Lift cylinder – Bulldozer	Two (2)
Bore diameter	3.68 in (93.5 mm)
Rod diameter	2.25 in (57.2 mm)
Stroke	35.67 in (906 mm)
Tilt cylinder – Bulldozer	One (1)
Bore diameter	4.50 in (114.3 mm)
Rod diameter	2.50 in (63.5 mm)
Stroke	3.89 in (98.9 mm)

## SERVICE CAPACITIES

Fuel tank	107.0 gal (405.0 L)
Engine oil w/ filter	17.3 qt (16.4 L)
Engine oil w/o filter	16.5 qt (15.6 L)
Engine cooling system	8.0 gal (30.28 L)
Hydraulic reservoir	55.0 gal (210.0 L)
Final drive – per side	26.4 qt (25.0 L)
Track rollers – each	0.376 qt (0.356 L)
Front idlers – each	0.349 qt (0.330 L)
Carrier rollers – each	0.328 qt (0.310 L)
DEF tank	14.0 gal (52.0 L)

## OTHER SPECIFICATIONS

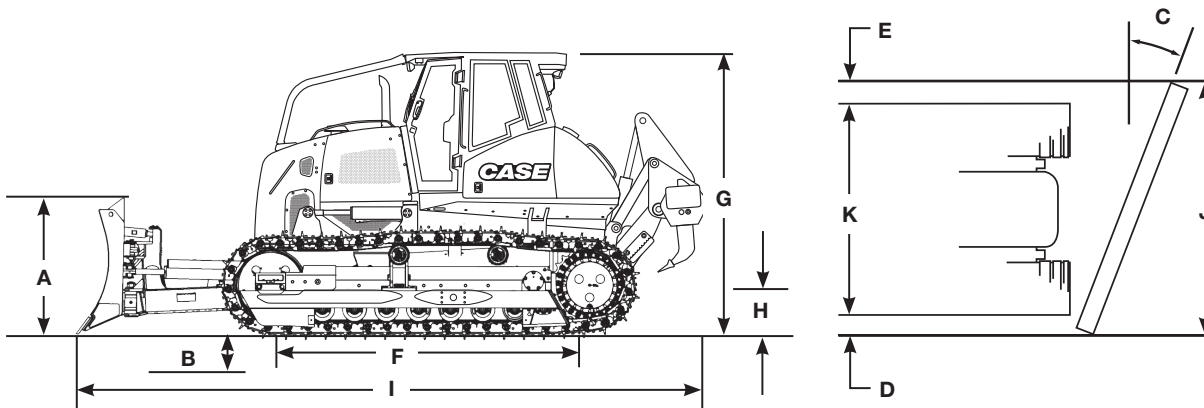
Undercarriage:	
Track adjustment	Hydraulic
Frame	Pivot shaft and oscillating equalizer beam suspension
Length of track on ground	128 in (3.25 m)
Track link pitch	7.99 in (202.9 mm)
Track shoe height	2.81 in (71.5 mm)
Pin diameter	1.75 in (44.5 mm)
Bushing diameter:	
SALT HD track	2.87 in (72.9 mm)
Ultra Life track	2.87 in (72.9 mm)
Track shoes per side	45
Track rollers per side	8
Carrier rollers per side	2
Track roller rail diameter	8.94 in (227 mm)

Track on ground:		
Shoe area:		
24 in (610 mm)	5,233 in <sup>2</sup> (33 760 cm <sup>2</sup> )	
24 in (610 mm)	6,134 in <sup>2</sup> (39 575 cm <sup>2</sup> )	
28 in (711 mm)	7,157 in <sup>2</sup> (46 171 cm <sup>2</sup> )	
30 in (762 mm)	7,668 in <sup>2</sup> (49 469 cm <sup>2</sup> )	
36 in (914 mm)	9,201 in <sup>2</sup> (59 363 cm <sup>2</sup> )	

Track:	
Extra long track:	
24 in (610 mm)	closed grousers and SALT HD
24 in (610 mm)	open grousers and Ultra Life
Wide track:	
28 in (711 mm)	closed grousers and SALT HD
28 in (711 mm)	open grousers and Ultra Life
30 in (762 mm)	closed grousers and SALT HD
30 in (762 mm)	open grousers and Ultra Life
Low ground pressure:	
36 in (914 mm)	closed grousers and SALT HD
36 in (914 mm)	open grousers and Ultra Life

Blade:	
Variable blade pitch	55° – 60°
Lift speed – per second	19.0 in (483 mm)
Cutting edge – PAT	Reversible, replaceable
Width	10.0 in (254 mm)
Thickness	0.8 in (20 mm)

Ripper:	
Max. penetration	18.6 in (472.5 mm)
Width	76.3 in (1 937 mm)
Cut width	74.4 in (1 890 mm)
Max. ground clearance	23.7 in (601.7 mm)
Max. number of shanks	3
Tooth spacing:	
w/ 3 teeth	33.6 in (854.3 mm)
Hydraulic cylinder	
Diameter	6.14 in (156 mm)
Stroke	23.5 in (597 mm)
Rod	2.75 in (70 mm)



Line drawings are for illustrative purpose only and may not be exact representation of unit.

## DIMENSIONS

	Extra Long Track (XLT) with Semi-U	Extra Long Track (XLT) with PAT	Low Ground Pressure (LGP) with Straight PT	Low Ground Pressure (LGP) with PAT	Low Ground Pressure (LGP) with Semi-U
Blade width	134.7 in (3 422 mm)	142 in (3 607 mm)	154 in (3 900 mm)	157.5 in (4 064 mm)	157 in (3 988 mm)
SAE blade capacity	7.29 yd <sup>3</sup> (5.57 m <sup>3</sup> )	6.32 yd <sup>3</sup> (4.83 m <sup>3</sup> )	4.94 yd <sup>3</sup> (3.78 m <sup>3</sup> )	7.12 yd <sup>3</sup> (5.54 m <sup>3</sup> )	7.98 yd <sup>3</sup> (6.10 m <sup>3</sup> )
<b>A.</b> Blade height	56 in (1 418 mm)	53.8 in (1 366 mm)	43.5 in (1 105 mm)	53.9 in (1 369 mm)	53 in (1 349 mm)
Blade lift above ground	49 in (1 237.7 mm)	44.5 in (1 130 mm)	46 in (1 169 mm)	44.5 in (1 130 mm)	48.4 in (1 228 mm)
<b>B.</b> Blade depth below ground	21.5 in (546.8 mm)	21.4 in (542.8 mm)	20.0 in (507.8 mm)	21.4 in (542.8 mm)	21.6 in (548 mm)
<b>C.</b> Blade angle both directions	–	25°	–	25°	–
<b>D.</b> Cast reach	17.3 in (438.9 mm)	22.7 in (576.4 mm)	14.3 in (363 mm)	18.6 in (472.1 mm)	16.2 in (411 mm)
<b>E.</b> Cut reach	17.3 in (438.9 mm)	5.7 in (145.7 mm)	14.3 in (363 mm)	1.7 in (43.0 mm)	16.2 in (411 mm)
Blade tilt, each end	17 in (433 mm)	21.7 in (550 mm)	16.2 in (411 mm)	21.7 in (550 mm)	15.7 in (400 mm)
Track gauge	76 in (1.94 m)	76 in (1.94 m)	89 in (2.26 m)	89 in (2.26 m)	89 in (2.26 m)
Maximum shoe width	24 in (609 mm)	24 in (609 mm)	36 in (914 mm)	36 in (914 mm)	36 in (914 mm)
<b>F.</b> Length of track on ground	128 in (3.25 m)	128 in (3.25 m)	128 in (3.25 m)	128 in (3.25 m)	128 in (3.25 m)
Area of track on ground	7,161 in <sup>2</sup> (4.62 m <sup>2</sup> )	7,161 in <sup>2</sup> (4.62 m <sup>2</sup> )	9,107 in <sup>2</sup> (5.88 m <sup>2</sup> )	9,107 in <sup>2</sup> (5.88 m <sup>2</sup> )	9,107 in <sup>2</sup> (5.88 m <sup>2</sup> )
Ground pressure	7.33 psi (0.51 bar)	7.33 psi (0.51 bar)	5.35 psi (0.36 bar)	5.35 psi (0.36 bar)	5.35 psi (0.36 bar)
<b>G.</b> Height to top of ROPS cab	10 ft 3 in (3 150 mm)	10 ft 3 in (3 150 mm)	10 ft 3 in (3 150 mm)	10 ft 3 in (3 150 mm)	10 ft 3 in (3 150 mm)
Height to top of exhaust	9 ft 4 in (2 870.7 mm)	9 ft 4 in (2 870.7 mm)	9 ft 4 in (2 870.7 mm)	9 ft 4 in (2 870.7 mm)	9 ft 4 in (2 870.7 mm)
<b>H.</b> Ground clearance	16.1 in (408.2 mm)	16.1 in (408.2 mm)	16.1 in (408.2 mm)	16.1 in (408.2 mm)	16.1 in (408.2 mm)
Length:					
Blade straight with drawbar	17 ft 7 in (5 359 mm)	19 ft 4 in (5 902 mm)	19 ft 3 in (5 867 mm)	19 ft 4 in (5 902 mm)	19 ft 6 in (5 980 mm)
<b>I.</b> Blade straight with ripper	22 ft 5 in (6 833 mm)	24 ft 2 in (7 366 mm)	22 ft 9 in (6 934 mm)	24 ft 2 in (7 366 mm)	24 ft 1 in (7 353 mm)
Width:					
Blade straight	11 ft 2 in (3 404 mm)	11 ft 8 in (3 556 mm)	12 ft 8 in (3 861 mm)	13 ft 3 in (4 039 mm)	13 ft 1 in (3 988 mm)
<b>J.</b> Blade angled	–	10 ft 9 in (3 287 mm)	12 ft 1 in (3 690 mm)	11 ft 9 in (3 625 mm)	–
<b>K.</b> Over track	8 ft 3 in (2 515 mm)	8 ft 3 in (2 515 mm)	10 ft 4 in (3 150 mm)	10 ft 4 in (3 150 mm)	10 ft 4 in (3 166 mm)

NOTE: Ground clearance and overall height dimensions are with the grousers fully penetrated. Add 2.19 in (56 mm) if unit is on solid surface.

## STANDARD EQUIPMENT

### OPERATOR ENVIRONMENT

See page 1

### ENGINE

F4HFE613J  
Tier 4 Final Certified  
V-Shape Cooling package with hydraulic-driven reversing fan  
Integral engine oil cooling  
Fuel filter  
Dual element radial seal air cleaner  
120 amp alternator  
(2) 950 CCA 12-volt batteries  
Engine side panels

### DRIVETRAIN

Dual path infinitely variable, single-lever controlled hydrostatic drive, with electronic straight tracking and counter-rotation  
Final drive:  
Triple reduction; helical gear/planetary decelerator with hydrostatic drive retardation  
Automatic spring-applied parking brake

### BLADE

55° – 60° variable pitch  
Single lever electro-hydraulic control for blade lift, angle and tilt

### UNDERCARRIAGE

Hydraulic track adjusters  
SALT HD track chain  
Permanently lubricated track and carrier rollers  
Track adjuster guard  
Track guides – front and rear  
Robust Smooth One Piece Track Frames with Easy Clean-out

Robust Rock Guards  
Enhanced Track Recoil System  
Central Grease point for Pivot Shaft and Equalizer Beam  
Low Noise System Configuration  
Low Vibration System Configuration

### OTHER

Anti-vandalism package  
Backup alarm  
Horn  
Work lights:  
2 front  
1 rear  
Ground Level Master disconnect switch  
Mirror  
Pre-cleaner  
Front pull hook

### TELEMATICS

CASE SiteWatch™ Telematics – includes hardware and a 3-yr Advanced data subscription

## OPTIONAL EQUIPMENT

### OPERATOR ENVIRONMENT

Cab air quality system  
Seat belt – 3 in (76 mm)  
Rear wiper for cab  
Radio  
Bluetooth, WeatherBand, Satellite Radio

### HYDRAULICS

4-spool hydraulic valve for field-installed ripper  
3-spool hydraulic valve without plugs for field-installed ripper  
3-spool hydraulic valve with plugs

### REAR MOUNTED EQUIPMENT

Ripper – 2 position with 3 shanks  
Rear tow hook  
Drawbar  
Drawbar with step

### BLADES

PAT – 142 in (3 607 mm) High Visibility Blade  
48 in height  
PAT – 142 in (3 607 mm)  
54 in height  
PAT – 157.5 in (4 000.5 mm)  
54 in height  
Folding PAT – 160 in (4 064 mm)  
HS Straight (WT/LGP) – 154 in (3 900 mm)  
Semi-U – 135 in (3 422 mm)  
Larger Bull Dozer LGP  
Semi-U Blade – 157 in (3 988 mm)  
HS Straight (XLT) – 131 in (3 334 mm)

### GUARDS

CAB canopy brush guard  
Full length rock guards  
Waste Handler Guarding Package

### SCREENS

Cab rear screen

### PRECISION

Universal Blade Guidance Ready  
Compatible with Leica, Trimble, and Topcon Systems from the Factory  
Blade guidance ready – Trimble  
Blade guidance ready – Leica  
Blade guidance ready – Topcon  
SiteControl CoPilot powered by Leica

### OTHER

Environmental drains  
Case Ultra Life Track  
Cold start – grid heater  
Additional work lights  
Rearview implement mirror  
HEPA Turbine pre-cleaner

**CaseCE.com**

©2019 CNH Industrial America LLC. All rights reserved. CASE is a trademark registered in the United States and many other countries, owned by or licensed to CNH Industrial N.V., its subsidiaries or affiliates. CNH Industrial Capital is a trademark in the United States and many other countries, owned by or licensed to CNH Industrial N.V., its subsidiaries or affiliates. Printed in U.S.A. Contains 10% post-consumer fiber.

IMPORTANT: CASE Construction Equipment Inc. reserves the right to change these specifications without notice and without incurring any obligation relating to such change. Availability of some models and equipment builds vary according to the country in which the equipment is used. The illustrations and text may include optional equipment and accessories and may not include all standard equipment. Your CASE dealer/distributor will be able to give you details of the products and their specifications available in your area.



CASE Construction Equipment is biodiesel-friendly. NOTE: All engines meet current EPA emissions regulations. All specifications are stated in accordance with SAE Standards or Recommended Practices, where applicable.



Always read the Operator's Manual before operating any equipment. Inspect equipment before using it, and be sure it is operating properly. Follow the product safety signs and use any safety features provided.

Form No. CCE2019122050M  
Replaces Form No. CCE2017032050M

2050M

3 of 3