



## ENGINE

Model	FPT F5HFL413J*A002
Emissions Certification	Tier 4 Final Certified
Cylinders	4
Displacement	207.5 in <sup>3</sup> (3.4 L)
Fuel injection	Common rail
Fuel	#2 Diesel
Fuel filter	Spin-on w/ in-line strainer
Air intake	Cross-flow
Cooling	Liquid
Engine speeds	RPM
High idle - no load	2200 +/- 50
Rated - full load	2200
Low idle	1100 +/- 25
Horsepower @ 2000 RPM – SAE J1349:	
Net	92 hp (69 kW)
Gross	96 hp (72 kW)
Engine lubrication:	
Pump	Deep sump plate cooler w/ pressurized under-piston nozzles
Pump operating angle ratings:	
Side-to-side	35°
Fore and aft	45°
Oil filtration	Replaceable, spin-on full-flow cartridge
Radiator:	
Fins per inch	10.16
Fan:	
Diameter	26.0 in (662 mm)
Ratio	1.1:1

## DRIVETRAIN

Dual path hydrostatic:	
Pump	Variable axial piston
Motor	Variable bent axis piston
Max. drawbar pull*	41,010 lb (182.4 kN)
Transmission	Single lever control – electronic straight tracking
Transmission oil filter	4 micron, spin-on replaceable w/ 100 mesh suction screen
Travel speeds*:	
Forward	5.2 mph (8.4 kph)
Reverse	5.2 mph (8.4 kph)
Parking brakes	Heavy-duty, spring-applied, hydraulic release disc
Steering brakes	Hydrostatic
Final drive	2 helical gear reduction to planetary output
Ratio	61.4:1
Transmission cooling:	
Type	Oil to air
Core size	199.5 in <sup>2</sup> (1 287 cm <sup>2</sup> )

NOTE: \*Measured using standard track chain. Increase travel speeds by 4% and reduce drawbar pull by 4% with the optional Max-Life track chain.

## ELECTRICAL

Alternator	120 amp
Battery	(2) 12-volt, low-maintenance 925 cold-cranking amps @ -4° F (-20° C)
Electrical System	24 Volts

## OPERATOR ENVIRONMENT

Optional ROPS cab; Single lever control for speed, steering and direction; Cloth air suspension seat w/ back adjustment; Retractable 3 in (76 mm) seat belt; Adjustable armrest; Two foot rest; Rearview mirror; Two door windshield wipers; Dome light; 12-volt accessory outlet; Headliner; Floor mat; Rear Wiper; Radio; Heat/AC.

Warning lights:  
Air filter; Alternator; Diagnostic fault indicator; Engine coolant temperature; Engine oil pressure; Hydraulic filter; Low fuel level; Park brake engaged; Service soon indicator; Transmission filter; Transmission charge pressure; Transmission temperature.

Gauges:  
Battery voltage; Fuel level; Digital hour meter/tachometer/diagnostic/service reminder; Transmission oil temperature; Transmission speed indicator; Water temperature.

Audible warnings:  
Engine coolant temperature; Engine oil pressure; Low fuel level; Transmission charge pressure; Temperature/hydraulic temperature.

## OPERATING WEIGHT

Unit equipped w/ ROPS, full fuel tank, 170 lb (77 kg) operator, drawbar, side shield, track guides, backup alarm, horn and lights.	
Long track	20,040 lb (9 090 kg)
Wide track	20,679 lb (9 380 kg)
Low ground pressure	20,666 lb (9 374 kg)
Add-on weights:	
Drawbar	84 lb (38 kg)
Ripper – 3 shank	1,400 lb (635 kg)
Winch	1,960 lb (889 kg)
Front counterweight	827 lb (375 kg)
Cab	560 lb (254 kg)
Max-Life chain:	
18 in (457 mm)	92 lb (42 kg)
20 in (508 mm)	97 lb (44 kg)
24 in (610 mm)	93 lb (42 kg)
28 in (711 mm)	92 lb (42 kg)
Center rock guard	326 lb (148 kg)
Sweeps	139 lb (63 kg)

## HYDRAULICS

Pump flow @ 2000 RPM @ 3,000 psi (20 684 kPa)	20.3 gpm (78.8 L/min)
Lift cylinder	Two (2)
Bore diameter	3.50 in (88.9 mm)
Rod diameter	1.75 in (44.4 mm)
Stroke	14.26 in (394.5 mm)
Angle cylinder	Two (2)
Bore diameter	3.50 in (88.9 mm)
Rod diameter	1.75 in (44.4 mm)
Stroke	13.46 in (342.0 mm)
Tilt cylinder	One (1)
Bore diameter	3.50 in (88.9 mm)
Rod diameter	1.75 in (44.4 mm)
Stroke	5.39 in (137.0 mm)

## SERVICE CAPACITIES

Fuel tank	50.0 gal (189.0 L)
Engine oil w/ filter	8.45 qt (8.0 L)
Engine oil w/o filter	7.65 qt (7.3 L)
Engine cooling system	5.75 gal (21.8 L)
Hydraulic reservoir	26 gal (98.4 L)
Final drive – per side	15.0 qt (14.2 L)
Track rollers – each	0.27 qt (0.26 L)
Front idlers – each	0.35 qt (0.33 L)
Carrier rollers – each	0.2 qt (0.19 L)
SALT HD & Max-life – each pin	0.68 oz (20 ml)

## OTHER SPECIFICATIONS

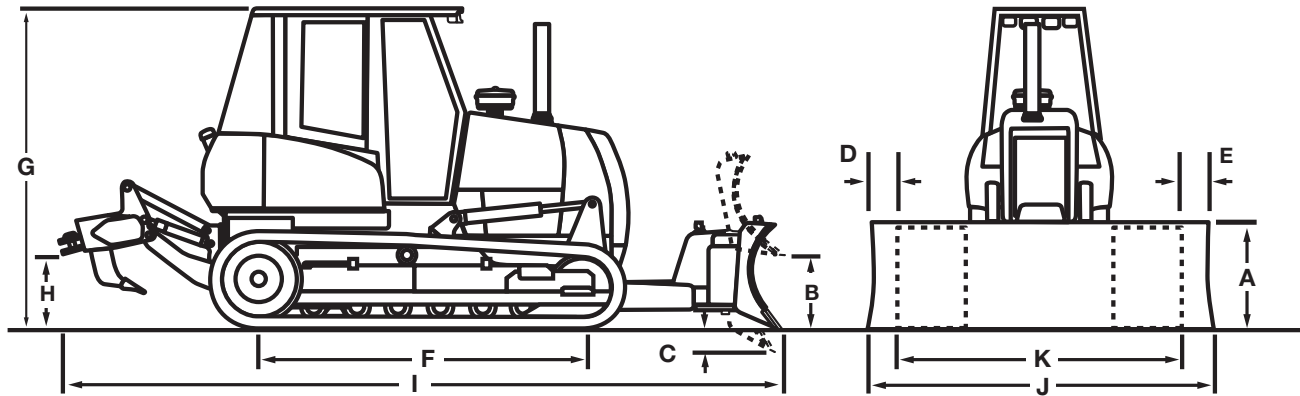
Undercarriage:	
Track adjustment	Hydraulic
Frame	Rigid suspension
Length of track on ground:	
SALT-HD	89.2 in (2 266 mm)
Max-Life	90.1 in (2 288 mm)
Track link pitch	6.75 in (171.45 mm)
Track shoe height	1.85 in (47 mm)
Pin diameter	1.31 in (33.3 mm)
Track link pitch	6.73 in (171 mm)
Track shoe height	2.06 in (52.3 mm)
Pin diameter	1.32 in (33 mm)
Bushing diameter:	
SALT HD track	2.24 in (57 mm)
Max-Life track	3.0 in (76.2 mm)
Track shoes per side	39
Track rollers per side	6
Carrier rollers per side	1
Track roller rail diameter	7.48 in (190 mm)

Track on ground:	
Shoe area:	
18 in (457 mm)	3,212 in <sup>2</sup> (20 720 cm <sup>2</sup> )
20 in (508 mm)	3,569 in <sup>2</sup> (23 023 cm <sup>2</sup> )
24 in (610 mm)	4,285 in <sup>2</sup> (27 645 cm <sup>2</sup> )
28 in (711 mm)	4,995 in <sup>2</sup> (32 223 cm <sup>2</sup> )

Track:	
Long track:	
18 in (457 mm)	closed grousers and SALT HD
18 in (457 mm)	open grousers and Max-Life
20 in (508 mm)	closed grousers and SALT HD
20 in (508 mm)	open grousers and Max-Life
Wide track:	
20 in (508 mm)	closed grousers and SALT HD
20 in (508 mm)	open grousers and Max-Life
24 in (610 mm)	closed grousers and SALT HD
24 in (610 mm)	open grousers and Max-Life
Low ground pressure:	
28 in (711 mm)	closed grousers and SALT HD
28 in (711 mm)	open grousers and Max-Life

Blade:	
Variable blade pitch	52° – 60°
Lift speed – per second	19.7 in (500 mm)
Cutting edge	Reversible, replaceable
Width	8.0 in (203 mm)
Thickness	0.75 in (19 mm)

Ripper:	
Max. penetration	14.4 in (365 mm)
Width	71.1 in (1 806 mm)
Cut width	69.5 in (1 765 mm)
Max. ground clearance	16.4 in (417 mm)
Max. number of shanks	3
Tooth spacing:	
w/ 3 teeth	30.9 in (785 mm)
Hydraulic cylinder	
Diameter	3.9 in (99 mm)
Stroke	8.4 in (213 mm)
Rod	1.75 in (44 mm)



Line drawings are for illustrative purpose only and may not be exact representation of unit.

## DIMENSIONS

	Long Track (LT)	Wide Track (WT)	Low Ground Pressure (LGP)
Blade width	96 in (2 438 mm)	109 in (2 769 mm)	120 in (3 048 mm)
SAE blade capacity	1.69 yd <sup>3</sup> (1.29 m <sup>3</sup> )	1.94 yd <sup>3</sup> (1.48 m <sup>3</sup> )	2.15 yd <sup>3</sup> (1.64 m <sup>3</sup> )
<b>A.</b> Blade height	33.1 in (841 mm)	33.1 in (841 mm)	33.1 in (841 mm)
<b>B.</b> Blade lift above ground	33.85 in (860 mm)	33.85 in (860 mm)	33.85 in (860 mm)
<b>C.</b> Blade depth below ground	22.84 in (580 mm)	22.84 in (580 mm)	22.84 in (580 mm)
Blade angle both directions	22.7°	22.7°	22.7°
<b>D.</b> Cast reach	9.11 in (231.3 mm)	9.31 in (236.6 mm)	12.42 in (315.5 mm)
<b>E.</b> Cut reach	-2.63 in (-66.8 mm)	-2.42 in (-61.5 mm)	0.68 in (17.3 mm)
Blade tilt, each end – up to 9.7°	8.15 in (207 mm)	9.29 in (236 mm)	10.20 in (259 mm)
Track gauge	62 in (1.57 m)	70 in (1.78 m)	70 in (1.78 m)
Maximum shoe width	20 in (508 mm)	24 in (610 mm)	28 in (711 mm)
<b>F.</b> Length of track on ground:			
SALT HD	89.2 in (2.26 m)	89.2 in (2.26 m)	89.2 in (2.26 m)
Max-Life	90.1 in (2.28 m)	90.1 in (2.28 m)	90.1 in (2.28 m)
Area of track on ground	3,569 in <sup>2</sup> (2.3 m <sup>2</sup> )	4,285 in <sup>2</sup> (2.76 m <sup>2</sup> )	4,995 in <sup>2</sup> (3.22 m <sup>2</sup> )
Ground pressure	5.36 psi (0.37 bar)	4.61 psi (0.32 bar)	4.04 psi (0.28 bar)
<b>G.</b> Height to top of ROPS canopy with air conditioning	9 ft 1 in (2 755 mm)	9 ft 1 in (2 755 mm)	9 ft 1 in (2 755 mm)
<b>H.</b> Ground clearance	14.0 in (355 mm)	14.0 in (355 mm)	14.0 in (355 mm)
Length:			
Blade straight with drawbar	14 ft 1 in (4 284 mm)	14 ft 1 in (4 284 mm)	14 ft 1 in (4 284 mm)
<b>I.</b> Blade straight with ripper	16 ft 9 in (5 110 mm)	16 ft 9 in (5 110 mm)	16 ft 9 in (5 110 mm)
Width:			
<b>J.</b> Blade straight	8 ft 0 in (2 438 mm)	9 ft 2 in (2 796 mm)	10 ft 0 in (3 048 mm)
Blade angled	7 ft 7 in (2 316 mm)	8 ft 7 in (2 625 mm)	9 ft 5 in (2 871 mm)
<b>K.</b> Over track	6 ft 5 in (1 984 mm)	7 ft 8 in (2 340 mm)	8 ft 2 in (2 489 mm)

NOTE: Ground clearance and overall height dimensions are with the grousers fully penetrated. Add 2.07 in (52.5 mm) if unit is on solid surface.

## STANDARD EQUIPMENT

### OPERATOR ENVIRONMENT

See page 1

### ENGINE

FPT F5HFL413J\*A002  
Tier 4 Final Certified  
DPF  
CEGR  
Cold start aid – glow plugs  
with standard dual 12-volt batteries  
Automatic fan belt tensioner  
Integral engine oil cooling  
Fuel filter  
Dual element air cleaner  
120 amp alternator  
950 CCA 12-volt battery  
Hinged engine side panels

## OPTIONAL EQUIPMENT

### REAR MOUNTED EQUIPMENT

Ripper – 5 position with 3 shanks  
Hydraulic pump with PTO  
Drawbar

### BLADES

96 in (2 438 mm)  
104 in (2 642 mm)  
109 in (2 769 mm)  
120 in (3 058 mm)  
124 in (3 160 mm)

### DRIVETRAIN

Dual path infinitely variable, single-lever  
controlled hydrostatic drive, with electronic  
straight tracking, power turns and  
counter-rotation  
Final drive:  
Triple reduction; helical  
gear/planetary decelerator with hydrostatic  
drive retardation  
Spring-applied hydraulic release  
parking brake

### BLADE

52° – 60° variable pitch,  
with integral adjustment tool  
Single lever control for blade lift, angle and tilt

### UNDERCARRIAGE

Hydraulic track adjusters  
Easy clean track covers  
Sealed and Lubricated Track Chain (SALT)  
Permanently lubricated track and  
carrier rollers  
Track adjuster guard  
Track guides – front and rear  
Shock resistance idler mounting

### GUARDS

Center rock guard

### SCREENS

Radiator brush screen  
Sandblast screen

### OTHER

Backup alarm  
Horn  
Work lights:  
2 front  
1 rear  
Master disconnect switch  
Mirror  
Turbine Pre-cleaner  
Front pull hook  
Rear tow hook  
Sweeps  
Environmental Drain  
4-Spool Hydraulic Valve with plugs for field  
installed Ripper  
Transport Protection  
Anti-vandalism package  
Rear Transmission Guard

### TELEMATICS

CASE SiteWatch™ Telematics – includes  
hardware and a 3-yr Advanced  
data subscription

### PROCARE

CASE ProCare – Full Machine Protection  
Factory Warranty (3-yr/3000-hr), Planned  
Maintenance (3-yr/2000-hr) and SiteWatch  
telematics

### OTHER

CASE Extended Life Track  
Additional work lights  
Front counterweight  
Rearview mirror  
Severe Cold Weather Package

### PRECISION

Factory Fit CoPilot  
Factory Fit 2D Laser  
Factory Fit 3D GNSS  
Leica Blade Guidance Ready  
Trimble Blade Guidance Ready  
Topcon Blade Guidance Ready

CaseCE.com

©2021 CNH Industrial America LLC. All rights reserved. CASE is a trademark registered in the United States and many other countries, owned by or licensed to CNH Industrial N.V., its subsidiaries or affiliates. CNH Industrial Capital is a trademark in the United States and many other countries, owned by or licensed to CNH Industrial N.V., its subsidiaries or affiliates. Printed in U.S.A. Contains 10% post-consumer fiber.

IMPORTANT: CASE Construction Equipment Inc. reserves the right to change these specifications without notice and without incurring any obligation relating to such change. Availability of some models and equipment builds vary according to the country in which the equipment is used. The illustrations and text may include optional equipment and accessories and may not include all standard equipment. Your CASE dealer/distributor will be able to give you details of the products and their specifications available in your area.



CASE Construction Equipment is biodiesel-friendly. NOTE: All engines meet current EPA emissions regulations. All specifications are stated in accordance with SAE Standards or Recommended Practices, where applicable.



Always read the Operator's Manual before operating any equipment. Inspect equipment before using it, and be sure it is operating properly. Follow the product safety signs and use any safety features provided.

Form No. CCE202102750M

Replaces Form No. CCE202008750M

750M

3 of 3