



## ENGINE

Model	FPT F4HFE413P*A008
Emissions Certification	Tier 4 Final Certified
Cylinders	4
Displacement	275 in <sup>3</sup> (4.5 L)
Fuel injection	Common rail
Fuel	#2 Diesel
Fuel filter	Spin-on w/ in-line strainer
Air intake	Cross-flow
Cooling	Liquid
Engine speeds	RPM
High idle - no load	2000
Rated - full load	2000 +/- 50
Low idle	1100 +/- 25
Horsepower @ 2000 RPM – SAE J1349:	
Net	112 hp (84 kW)
Gross	120 hp (90 kW)
Engine lubrication:	
Pump	Deep sump plate cooler w/ pressurized under-piston nozzles
Pump operating angle ratings:	
Side-to-side	35°
Fore and aft	45°
Oil filtration	Replaceable, spin-on full-flow cartridge
Radiator:	
Fins per inch	8.5
Fan:	
Diameter	21.6 in (550 mm)
Ratio	1.1:1

## DRIVETRAIN

Dual path hydrostatic:	
Pump	Variable axial piston
Motor	Variable bent axis piston
Max drawbar pull*	41,010 lb (182.4 kN)
Transmission	Single lever control – electronic straight tracking
Transmission oil filter	4 micron, spin-on replaceable w/ 100 mesh suction screen
Travel speeds*:	
Forward	5.4 mph (8.7 kph)
Reverse	5.4 mph (8.7 kph)
Parking brakes	Heavy-duty, spring-applied, hydraulic release disc
Steering brakes	Hydrostatic
Final drive	2 helical gear reduction to planetary output
Ratio	62.4:1
Transmission cooling:	
Type	Oil to water
Core size	417 in <sup>2</sup> (0.27 m <sup>2</sup> )

NOTE: \*Measured using standard track chain. Increase travel speeds by 4% and reduce drawbar pull by 4% with the optional Max Life track chain.

## ELECTRICAL

Alternator	120 amp
Battery	(2) 12-volt, low-maintenance 925 cold-cranking amps @ -4° F (-20° C)
Electrical System	24 Volts

## OPERATOR ENVIRONMENT

Optional ROPS cab; Single lever control for speed, steering and direction; Cloth air suspension seat w/ back adjustment; Retractable 3 in (76 mm) seat belt; Adjustable armrest; Two foot rest; Rearview mirror; Two door windshield wipers; Dome light; 12-volt accessory outlet; Headliner; Floor mat; Rear Wiper; Radio; Heat/AC.

Warning lights:  
Air filter; Alternator; Diagnostic fault indicator; Engine coolant temperature; Engine oil pressure; Hydraulic filter; Low fuel level; DEF fluid level; Park brake engaged; Service soon indicator; Transmission filter; Transmission charge pressure; Transmission temperature.

Gauges:  
Battery voltage; Fuel level; Digital hour meter/tachometer/diagnostic/service reminder; Transmission oil temperature; Transmission speed indicator; Water temperature; Diesel Exhaust Fluid (DEF) level.

Audible warnings:  
Engine coolant temperature; Engine oil pressure; Low fuel level; Transmission charge pressure; Temperature/hydraulic temperature.

## OPERATING WEIGHT

Unit equipped w/ ROPS, full fuel tank, 170 lb (77 kg) operator, drawbar, side shield, track guides, backup alarm, horn and lights.

Long track	21,980 lb (9 970 kg)
Wide Track	22,750 lb (10 320 kg)
LGP	23,250 lb (10 547 kg)

Add-on weights:

Drawbar	84 lb (38 kg)
Ripper – 3 shank	1,400 lb (635 kg)
Winch	1,001 lb (454 kg)
Front counterweight	827 lb (375 kg)
Cab	560 lb (254 kg)
MAX LIFE chain:	
18 in (457 mm)	39 lb (17.7 kg)
20 in (508 mm)	39 lb (17.7 kg)
24 in (610 mm)	87 lb (39 kg)
28 in (711 mm)	87 lb (39 kg)
Center rock guard	326 lb (148 kg)
Sweeps	139 lb (63 kg)

## HYDRAULICS

Pump flow @ 2000 RPM @ 3,000 psi (20 684 kPa)	20.3 gpm (78.8 L/min)
Lift cylinder	Two (2)
Bore diameter	3.50 in (88.9 mm)
Rod diameter	1.75 in (44.4 mm)
Stroke	14.26 in (362.1 mm)
Angle cylinder	Two (2)
Bore diameter	3.50 in (88.9 mm)
Rod diameter	1.75 in (44.4 mm)
Stroke	14.56 in (369.9 mm)
Tilt cylinder	One (1)
Bore diameter	3.50 in (88.9 mm)
Rod diameter	1.75 in (44.4 mm)
Stroke	5.39 in (137.0 mm)

## SERVICE CAPACITIES

Fuel tank	50.0 gal (189.0 L)
Engine oil w/ filter	13.0 qt (12.3 L)
Engine oil w/o filter	12.2 qt (11.5 L)
Engine cooling system	5.75 gal (21.8 L)
Hydraulic reservoir	26 gal (98.4 L)
Track rollers - each	0.27 qt (0.26 L)
Front idler	0.35 qt (0.33 L)
Carrier roller	0.20 qt (0.19 L)
DEF tank	12.0 gal (45.4 L)

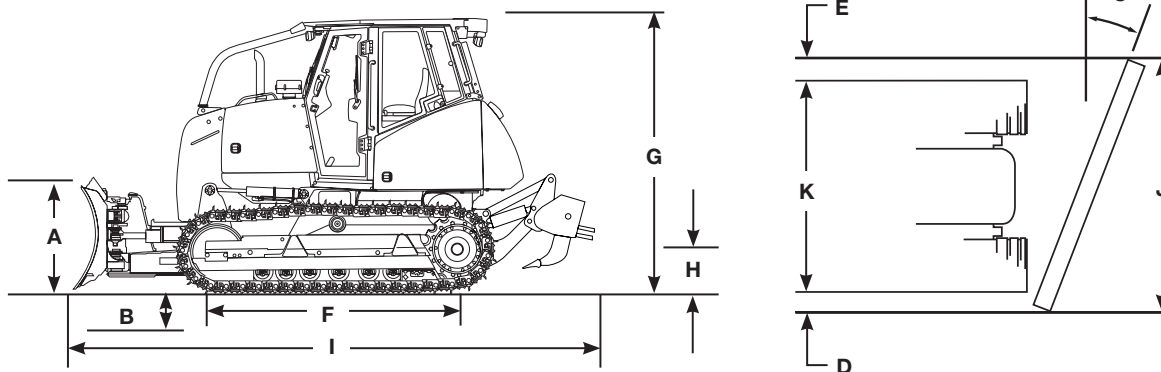
## OTHER SPECIFICATIONS

Undercarriage:	
Track adjustment	Hydraulic
Frame	Rigid suspension
Length of track on the ground:	
SALT HD	92.6 in (2 352 mm)
MAX LIFE	93.4 in (2 373 mm)
Track link pitch	6.73 in (171 mm)
Track shoe height	2.09 in (53 mm)
Pin diameter	1.42 in (36 mm)
Bushing diameter:	
SALT HD	2.39 in (60.7 mm)
MAX LIFE	3.15 in (80 mm)
Track shoes per side	40
Track rollers per side	7
Carrier rollers per side	1
Track roller rail diameter	7.48 in (190 mm)

Track on ground:		
Shoe area:		
18 in (457 mm)	3,334 in <sup>2</sup> (21 507 cm <sup>2</sup> )	
20 in (508 mm)	3,704 in <sup>2</sup> (23 896 cm <sup>2</sup> )	
24 in (610 mm)	4,448 in <sup>2</sup> (28 694 cm <sup>2</sup> )	
28 in (711 mm)	5,184 in <sup>2</sup> (33 445 cm <sup>2</sup> )	

Track:	
Long track:	
18 in (457 mm) closed grousers and SALT HD	
18 in (457 mm) open grousers and MAX LIFE	
20 in (508 mm) closed grousers and SALT HD	
20 in (508 mm) open grousers and MAX LIFE	
Wide track:	
20 in (508 mm) closed grousers and SALT HD	
20 in (508 mm) open grousers and MAX LIFE	
24 in (610 mm) closed grousers and SALT HD	
24 in (610 mm) open grousers and MAX LIFE	
Low ground pressure:	
28 in (711 mm) closed grousers and SALT HD	
28 in (711 mm) open grousers and MAX LIFE	

Blade:	
Variable blade pitch	52° – 60°
Lift speed – per second	19.7 in (500 mm)
Cutting edge	Reversible, replaceable
Width	8.0 in (203 mm)
Thickness:	
96 in	0.62 in (15.875 mm)
104 in	0.75 in (19.05 mm)
112 in	0.62 in (15.875 mm)
120 in	0.75 in (19.05 mm)
124 in	0.75 in (19.05 mm)
Ripper:	
Max penetration	14.0 in (355 mm)
Width	73.1 in (1 856 mm)
Cut width	70.1 in (1 781 mm)
Max ground clearance	16.8 in (426 mm)
Max. number of shanks	3
Tooth spacing:	
w/ 3 teeth	30.9 in (785 mm)
Hydraulic cylinder	Double-acting
Diameter	3.9 in (99.1 mm)
Stroke	8.4 in (213 mm)
Rod	1.75 in (44.5 mm)



Line drawings are for illustrative purpose only and may not be exact representation of unit

## DIMENSIONS

	Long Track (LT)		Wide Track (WT)		Low Ground Pressure (LGP)
Blade width	104 in (2 640 mm)	112 in (2 845 mm)	112 in (2 845 mm)	120 in (3 048 mm)	124 in (3 150 mm)
SAE blade capacity	2.16 yd <sup>3</sup> (1.65 m <sup>3</sup> )	2.35 yd <sup>3</sup> (1.80 m <sup>3</sup> )	2.35 yd <sup>3</sup> (1.80 m <sup>3</sup> )	2.53 yd <sup>3</sup> (1.93 m <sup>3</sup> )	2.62 yd <sup>3</sup> (2.00 m <sup>3</sup> )
<b>A.</b> Blade height	36.0 in (910 mm)	36.0 in (910 mm)	36.0 in (910 mm)	36.0 in (910 mm)	36.0 in (910 mm)
<b>B.</b> Blade lift above ground	34.0 in (864 mm)	34.0 in (864 mm)	34.0 in (864 mm)	34.0 in (864 mm)	34.0 in (864 mm)
<b>C.</b> Blade depth below ground	19.2 in (488 mm)	19.2 in (488 mm)	19.2 in (488 mm)	19.2 in (488 mm)	19.2 in (488 mm)
Blade angle both directions	25°	25°	25°	25°	25°
<b>D.</b> Cast reach	-0.7 in (-17.3 mm)	3.4 in (86.3 mm)	-2.6 in (-66.5 mm)	0.9 in (22.0 mm)	0.6 in (14.9 mm)
<b>E.</b> Cut reach	12.5 in (318.1 mm)	16.5 in (418.2 mm)	10.5 in (265.7 mm)	14.0 in (355.8 mm)	13.9 in (352.0 mm)
Blade tilt, each end – up to 8.3°	8.9 in (226 mm)	8.9 in (226 mm)	8.9 in (226 mm)	9.49 in (241 mm)	9.49 in (241 mm)
Track gauge	62.0 in (1.57 m)	62.0 in (1.57 m)	70.0 in (1.78 m)	70.0 in (1.78 m)	70.0 in (1.78 m)
Maximum shoe width	20.0 in (508 mm)	20.0 in (508 mm)	24.0 in (610 mm)	24.0 in (610 mm)	28.0 in (711 mm)
<b>F.</b> Length of track on ground:					
SALT HD	92.6 in (2 352 mm)	92.6 in (2 352 mm)	92.6 in (2 352 mm)	92.6 in (2 352 mm)	92.6 in (2 352 mm)
MAX LIFE	93.4 in (2 373 mm)	93.4 in (2 373 mm)	93.4 in (2 373 mm)	93.4 in (2 373 mm)	93.4 in (2 373 mm)
Area of track on ground	3,704 in <sup>2</sup> (2.38 m <sup>2</sup> )	3,704 in <sup>2</sup> (2.38 m <sup>2</sup> )	4,448 in <sup>2</sup> (2.87 m <sup>2</sup> )	4,448 in <sup>2</sup> (2.87 m <sup>2</sup> )	5,186 in <sup>2</sup> (3.34 m <sup>2</sup> )
Ground pressure	5.3 psi (0.37 bar)	5.3 psi (0.37 bar)	4.5 psi (0.31 bar)	4.5 psi (0.31 bar)	4.0 psi (0.28 bar)
<b>G.</b> Height to top of cab	9 ft 1 in (2 769 mm)	9 ft 1 in (2 769 mm)	9 ft 1 in (2 769 mm)	9 ft 1 in (2 769 mm)	9 ft 1 in (2 769 mm)
with air conditioning	9 ft 2 in (2 794 mm)	9 ft 2 in (2 794 mm)	9 ft 2 in (2 794 mm)	9 ft 2 in (2 794 mm)	9 ft 2 in (2 794 mm)
<b>H.</b> Ground clearance	14.4 in (366 mm)	14.4 in (366 mm)	14.4 in (366 mm)	14.4 in (366 mm)	14.4 in (366 mm)
Length:					
Blade straight with drawbar	14 ft 9 in (4 567 mm)	14 ft 9 in (4 567 mm)	14 ft 9 in (4 567 mm)	14 ft 9 in (4 567 mm)	14 ft 9 in (4 567 mm)
<b>I.</b> Blade straight with ripper	17 ft 4 in (5 277 mm)	17 ft 4 in (5 277 mm)	17 ft 4 in (5 277 mm)	17 ft 4 in (5 277 mm)	17 ft 4 in (5 277 mm)
Width:					
<b>J.</b> Blade straight	8 ft 8 in (2 642 mm)	9 ft 4 in (2 845 mm)	9 ft 4 in (2 845 mm)	10 ft 0 in (3 048 mm)	10 ft 4 in (3 150 mm)
Blade angled	8 ft 0 in (2 438 mm)	8 ft 8 in (2 643 mm)	8 ft 8 in (2 653 mm)	9 ft 4 in (2 821 mm)	9 ft 7 in (2 921 mm)
<b>K.</b> Over track	6 ft 9 in (2 066 mm)	6 ft 10 in (2 083 mm)	7 ft 4 in (2 322 mm)	7 ft 10 in (2 386 mm)	8 ft 2 in (2 488 mm)

NOTE: Ground clearance and overall height dimensions are with the grousers fully penetrated. Add 2.07 in (52.5 mm) if unit is on solid surface.

## STANDARD EQUIPMENT

### OPERATOR ENVIRONMENT

See page 1

### ENGINE

F4HFE413P\*A008  
Tier 4 Final Certified  
Automatic fan belt tensioner  
Integral engine oil cooling  
Fuel filter  
Dual element air cleaner  
120 amp alternator  
925 CCA 24-volt battery  
Coolant Heated DEF Lines  
Anti-freeze to -34° F  
Pusher fan  
Hinged engine side panels

## OPTIONAL EQUIPMENT

### REAR MOUNTED EQUIPMENT

Ripper – 5 position with 3 shanks  
Hydraulic pump with PTO  
Drawbar

### BLADES

104 in (2 642 mm)  
112 in (2 855 mm)  
120 in (3 058 mm)  
124 in (3 160 mm)

### DRIVETRAIN

Dual path infinitely variable, single-lever controlled hydrostatic drive, with electronic straight tracking, power turns and counter-rotation  
Final drive:  
Triple reduction; helical gear/planetary decelerator with hydrostatic drive retardation  
Spring-applied hydraulic release parking brake

### BLADE

52° – 60° variable pitch, with integral adjustment tool  
Single lever control for blade lift, angle and tilt

### UNDERCARRIAGE

Hydraulic track adjusters  
Easy clean track covers  
Sealed and Lubricated Track Chain (SALT)  
Permanently lubricated track and carrier rollers  
Track adjuster guard  
Track guides – front and rear  
Shock resistance idler mounting

### GUARDS

Center rock guard

### SCREENS

Radiator brush screen  
Sandblast screen

### OTHER

Backup alarm  
Horn  
Work lights:  
2 front  
1 rear  
Master disconnect switch  
Mirror  
Turbine Pre-cleaner  
Front pull hook  
Rear tow hook  
Sweeps  
Environmental Drain  
4-Spool Hydraulic Valve with plugs for field installed Ripper  
Transport Protection  
Anti-vandalism package  
Rear Transmission Guard

### TELEMATICS

CASE SiteWatch™ Telematics – includes hardware and a 3-yr Advanced data subscription

### PROCARE

CASE ProCare – Full Machine Protection Factory Warranty (3-yr/3000-hr), Planned Maintenance (3-yr/2000-hr) and SiteWatch telematics

### OTHER

CASE Extended Life Track  
Additional work lights  
Front counterweight  
Rearview mirror  
Severe Cold Weather Package  
Cold start aid – grid heater:  
with dual 12-volt battery

### PRECISION

Factory Fit CoPilot  
Factory Fit 2D Laser  
Factory Fit 3D GNSS  
Leica Blade Guidance Ready  
Trimble Blade Guidance Ready  
Topcon Blade Guidance Ready

## CaseCE.com

©2021 CNH Industrial America LLC. All rights reserved. CASE is a trademark registered in the United States and many other countries, owned by or licensed to CNH Industrial N.V., its subsidiaries or affiliates. CNH Industrial Capital is a trademark in the United States and many other countries, owned by or licensed to CNH Industrial N.V., its subsidiaries or affiliates. Printed in U.S.A. Contains 10% post-consumer fiber.

IMPORTANT: CASE Construction Equipment Inc. reserves the right to change these specifications without notice and without incurring any obligation relating to such change. Availability of some models and equipment builds vary according to the country in which the equipment is used. The illustrations and text may include optional equipment and accessories and may not include all standard equipment. Your CASE dealer/distributor will be able to give you details of the products and their specifications available in your area.



CASE Construction Equipment is biodiesel-friendly. NOTE: All engines meet current EPA emissions regulations. All specifications are stated in accordance with SAE Standards or Recommended Practices, where applicable.



Always read the Operator's Manual before operating any equipment. Inspect equipment before using it, and be sure it is operating properly. Follow the product safety signs and use any safety features provided.

Form No. CCE202102850M  
Replaces Form No. CCE201912850M