

D SERIES HIGHLIGHTS

- CASE Intelligent Hydraulic System (CIHS) actively manages hydraulic power through-out lift/dump and dig/curl movements to **maximize speed and efficiency** while reducing fuel consumption.
- **Outstanding visibility and standard rearview camera** for increased awareness all around the machine.
- **Three power modes** (Speed Priority, Heavy and Automatic) provide the ideal mix of power and fuel efficiency to match application needs.
- **7" widescreen color monitor** provides a constant rear camera view and also displays valuable performance data such as fuel consumption rates, maintenance information and machine diagnostics.
- **Wider, extra-spacious cab** has ample legroom, a climate control system that responds to sunlight, Bluetooth radio, and a fully adjustable operator's station with heated, air-ride seat.
- A pressurized cab and iso-mount® cushioning system reduce cab noise and vibration for a **smooth ride and one of the quietest work environments** in its class.
- Arm and boom have a more robust design that offers **greater durability**.
- Wide range of buckets and attachments available to meet your work requirements. **Hydraulic quick coupler** option allows operator to fasten and lock attachments from the convenience and comfort of the cab.
- **Stronger undercarriage** has thicker components and new single-slope design that reduces dirt accumulation and eases cleaning.
- **New LED working lights package** provides three times the brightness of halogen lights (similar to sunlight) while consuming less energy. Package includes six LED lights and side-view camera.
- **Dozer blade** (available on the CX130D) provides added stability as well as backfilling and grading capabilities.

SEAT IT TO BELIEVE IT. Not only do these new, Tier 4 Final D Series excavators deliver greater fuel efficiency, more digging power, higher lifting capacities, better controllability and enhanced hydraulics for faster cycle times, they also have a redesigned cab that's redefining comfortable productivity. More space. A bigger, better seat. Intuitive adjustment options, intelligent controls and even a Bluetooth radio. High performance has never felt so good.

FASTER CYCLE TIMES. In addition to the high precision and smooth control of our CASE Intelligent Hydraulic System, the CX130D and CX160D have a new electronically controlled hydraulic pump, a larger control valve and solenoid valves. These upgrades help boost breakout, increase lifting strength and improve responsiveness, which enable the machine to work up to 5% faster throughout the work cycle than our C Series excavators. That means you'll dig, swing and dump quicker than ever before.

SCR SAVES FUEL WITHOUT SACRIFICING STRENGTH. These D Series excavators use an SCR Tier 4 Final solution that's cleaner burning and provides up to 8% greater fuel efficiency without sacrificing power. As an after-treatment system, SCR lets the engine run at peak performance to provide full throttle response throughout the work cycle. And best yet, SCR is simple with no costly Diesel Particulate Filter filter to replace. Just pour a little DEF (Diesel Exhaust Fluid) at each fill-up and go.

HIGH PERFORMANCE COMES STANDARD. Many popular features that were optional on previous generations are now standard on the D Series, including:

- Control pattern selector lets you easily switch between ISO and SAE patterns.
- Free-swing feature greatly improves control when craning, pipe laying or lifting offset loads.
- Oil sample ports allows for quick visual checks of engine oil and hydraulic oil.
- Heated, air-ride seat helps provide comfort year-round.
- Additional handrails make the machine easier to get around (Not available on CX130D).
- Bluetooth radio allows for hands-free phone use.



Three Power Modes



7" Widescreen Color Monitor



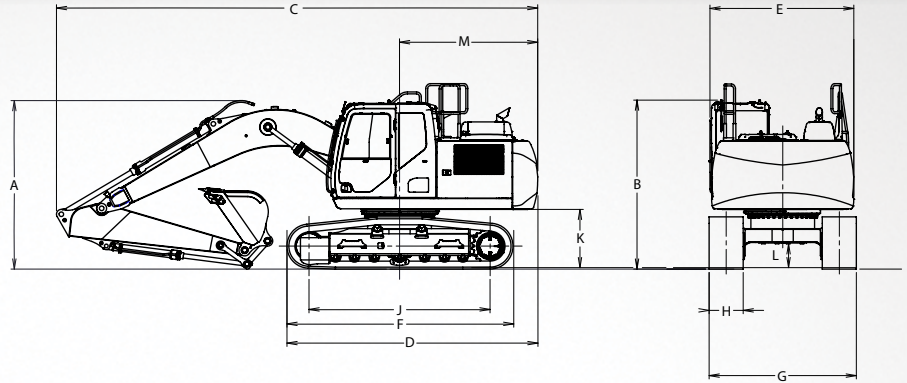
SCR Tier 4 Final Solution



CASE ProCare — the industry's best all-in-one heavy machine support program that's as powerful as the equipment it protects — comes standard on all D Series excavators. ProCare includes:

- 3K** 3-year/3000-hr. Full-Machine Factory Warranty*
- 3-year/3000-hr. Planned Maintenance**
- 3-year Advanced SiteWatch™ Subscription**

*See your dealer for the complete terms of CNH's Warranty and Limitation of Liability, which contains certain limits and exclusions.



Line drawings are for illustrative purpose only and may not be exact representation of unit.

DIMENSIONS	CX130D LC ¹	CX130D DZ ¹	CX160D ²
A. Overall Height – With Attachment	9 ft. 3 in. (2 810 mm)	9 ft. 3 in. (2 810 mm)	10 ft. 8 in. (3 260 mm)
B. Cab Height	9 ft. 3 in. (2 830 mm)	9 ft. 3 in. (2 830 mm)	9 ft. 9 in. (2 970 mm)
C. Overall Length – With Attachment	25 ft. 1 in. (7 650 mm)	25 ft. 11 in. (7 900 mm)	27 ft. 9 in. (8 460 mm)
D. Overall Length – Without Attachment	13 ft. 3 in. (4 030 mm)	13 ft. 8 in. (4 160 mm)	14 ft. 6 in. (4 430 mm)
E. Width Of Upper Structure – with Catwalks	8 ft. 4 in. (2 530 mm)	8 ft. 4 in. (2 530 mm)	8 ft. 4 in. (2 530 mm)
F. Track Overall Length	12 ft. 4 in. (3 760 mm)	11 ft. 6 in. (3 500 mm)	13 ft. 1 in. (3 990 mm)
G. Track Overall Width with 23.6 in. (600 mm) shoes	8 ft. 6 in. (2 590 mm)	8 ft. 6 in. (2 590 mm)	8 ft. 6 in. (2 590 mm)
H. Track Shoe Width	23.6 in. (600 mm)	23.6 in. (600 mm)	23.6 in. (600 mm)
J. Center To Center - Idler To Sprocket	10 ft. 0 in. (3 040 mm)	9 ft. 2 in. (2 790 mm)	10 ft. 6 in. (3 190 mm)
K. Uppers Structure Ground Clearance	2 ft. 11 in. (895 mm)	2 ft. 11 in. (895 mm)	3 ft. 4 in. (1 020 mm)
L. Minimum Ground Clearance	1 ft. 5 in. (420 mm)	1 ft. 5 in. (425 mm)	1 ft. 5 in. (420 mm)
M. Rear Tail Swing Radius	7 ft. 1 in. (2 170 mm)	7 ft. 1 in. (2 170 mm)	8 ft. 1 in. (2 470 mm)

¹ With 15 ft 2 in (4.63 m) boom, 8 ft 2 in (2.50 m) arm, 23.6 in (600 mm) track shoe, 882 lb (400 kg) bucket, full fuel tank and standard equipment.

² With 16 ft 11 in (5.15 m) boom, 8 ft 7 in (2.62 m) arm, 23.6 in (600 mm) track shoe, 1,067 lb (484 kg) bucket, full fuel tank and standard equipment.

SPECIFICATIONS*	CX130D LC	CX130D DZ	CX160D
Engine	Isuzu AR-4JJ1X	Isuzu AR-4JJ1X	Isuzu AR-4JJ1X
Emissions Certification	Tier 4 Final	Tier 4 Final	Tier 4 Final
Net HP – hp (kW)	102 (76.4) @ 2000 RPM	102 (76.4) @ 2000 RPM	112 (83) @ 2200 RPM
Bucket Digging Force* – lbf. (kN) – with Power Boost	21,357 (95)	21,357 (95)	26,527 (118)
Arm Digging Force – lbf. (kN) – with Power Boost	14,837 (66)	14,837 (66)	18,884 (84)
Maximum Digging Depth – ft. in. (mm)	18 ft. 3 in. (5 550 mm)	18 ft. 3 in. (5 550 mm)	19 ft. 11 in. (6 060 mm)
Operating Weight – lb. (kg)	29,131 (13 214)	30,454 (13 814)	38,391 (17 414)
Swing Torque – lbf-ft (kN-m)	24,340 (33.0)	24,340 (33.0)	33,264 (45.1)
Drawbar Pull – lbf. (kN)	26,078 (116)	26,078 (116)	35,969 (160)

NOTE: *Digging force based on ISO6015 and Standard boom and arm.

MAINTENANCE MADE EASY.

When you invest in CASE equipment, you need it to last. We make it easy. The CX130D and CX160D are no exception. From standard oil sample ports and grouped service points to tilt-out coolers and auto-locking side panels, you can do daily maintenance in a matter of minutes. It's the easiest way to help you get the most performance and longest life out of your machine.



©2015 CNH Industrial America LLC. All rights reserved. CASE is a trademark registered in the United States and many other countries, owned by or licensed to CNH Industrial N.V., its subsidiaries or affiliates. CNH Industrial Capital is a trademark in the United States and many other countries, owned by or licensed to CNH Industrial N.V., its subsidiaries or affiliates. Printed in U.S.A.

Form No. CCE201502CX130160D



SAFETY™ NEVER HURTS

Always read the Operator's Manual before operating any equipment. Inspect equipment before using it, and be sure it is operating properly. Follow the product safety signs and use any safety features provided.

NOTE: All engines meet current EPA emissions regulations.

NOTE: All specifications are stated in accordance with SAE Standards or Recommended Practices, where applicable.



Contains 10% post-consumer fiber

IMPORTANT: CASE Construction Equipment Inc. reserves the right to change these specifications without notice and without incurring any obligation relating to such change. Availability of some models and equipment builds vary according to the country in which the equipment is used. The illustrations and text may include optional equipment and accessories and may not include all standard equipment. Your CASE dealer/distributor will be able to give you details of the products and their specifications available in your area.



CASE construction equipment is biodiesel-friendly.