



## ENGINE

Model	Isuzu AM-4JJ1X CEGR, SCR and DOC
Emissions Certification	Tier 4 Final
Fuel	Requires ultra low-sulfur fuel B5 biodiesel tolerant
Type	Water-cooled, 4-cycle, high pressure common rail system. Turbo-charged w/ air cooled intercooler
Cylinders	4-cylinder in-line
Displacement	183 in <sup>3</sup> (3.0 L)
Bore/Stroke	3.76 x 4.13 in (95.4 x 104.9 mm)
Fuel injection	Direct injection – electronic
Fuel filter	Replaceable, full flow spin-on cartridge
Air filter	Dry type element w/ warning restriction indicator
Oil filter	Replaceable, full flow spin-on cartridge
Engine gradeability:	
Side-to-side	35°
Fore and aft	35°
Net horsepower – SAE J1349 @ 2000 RPM:	102 hp (76.4 kW)
Net max. torque – SAE J1349 @ 1800 RPM:	257 lb-ft (349 N-m)
Cooling operating range:	109° to -13° F (43° to -25° C)
Oil	Requires low-ash oil CJ-4

## DRIVETRAIN

Travel control	Dual stage relief/ counter balance design
Brakes	Mechanical disc
Service brakes	SAHR disc – each motor
Two speed travel:	
Max. high speed	3.5 mph (5.6 kph)
Max. low speed	2.1 mph (3.4 kph)
Automatic downshift	
Drawbar pull	26,100 lbf (116 kN)
Gradeability	70% – 35° slope

## ELECTRICAL

Voltage	24 Volts
Alternator rating	50 amp
Batteries	2 x 12 Volt
Battery reserve capacity	72 Ah/5 hour
Work lights – 4	24 Volt/70 watt
1 boom, 1 upper, 2 cab	

## OPERATOR ENVIRONMENT

Air-conditioner output	13,492 BTU/hr
Heater output	12,897 BTU/hr
Sound level inside cab – ISO6395	70 dBA
Electrical outlet	12 Volt
Cab interior light	10 watt
Side view camera – right	Standard
Seat	Air-suspension

## ATTACHMENT

Boom	15 ft 2 in (4 630 mm)
Arm	8 ft 2 in (2 500 mm)
Bucket digging force	20,200 lb-ft (90 kN)
w/ Auto Power-Boost	21,400 lb-ft (95 kN)

NOTE: \*Digging force ratings based on ISO6015.

## OPERATING WEIGHT

Operating weight	33,600 lb (15 200 kg)
w/ shoes	2 ft 0 in (600 mm)
w/ boom	15 ft 2 in (4 630 mm)
w/ arm	8 ft 2 in (2 500 mm)
w/ bucket	882 lb (400 kg)
w/ blade	8 ft 6 in (2 590 mm)
w/ counterweight	7,860 lb (3 570 kg)

NOTE: W/ operator/full fuel/standard equipment.

## GROUND PRESSURE

@ Standard operating weight	5.9 psi (0.41 bar)
w/ 23.6 in (600 mm) triple grouser shoes,	
8 ft 2 in (2.5 m) Arm, 0.65 yd <sup>3</sup> (0.5 m <sup>3</sup> ) bucket	

## HYDRAULICS

System design	Open center
Main pumps	Two-variable displacement/ axial piston
Max. rated flow per pump:	34.1 gpm (129 L/min) @ 2000 RPM
Max. rated flow total:	65.5 gpm (248 L/min) @ 2000 RPM
System pressures:	
Boom, arm and bucket	4,970 psi (343 bar)
w/ power boost	5,260 psi (363 bar)
Travel circuit	4,970 psi (343 bar)
Swing circuit	4,050 psi (279 bar)
Blade circuit	2,990 psi (206 bar)
Pilot pump	1 x gear design
Max. capacity	5.3 gpm (20 L/min)
Controls	w/ boom/arm holding valve
Right track travel, bucket, boom and arm acceleration.	1 x Four-spool section

Left track travel,  
auxiliary, swing, boom  
and arm acceleration.

1 x Five-spool section

Blade

1 x One-spool section

Work mode selections

SP: Speed Priority  
H: Heavy-Duty  
A: Automatic

Swing motor

Fixed displacement axial piston

Swing final drive

Planetary gear reduction

Travel motor

Two-speed independent  
travel/axial piston

## HYDRAULIC CYLINDERS

Boom cylinders	Two (2)
Cylinder bore	4.1 in (105 mm)
Cylinder rod diameter	3.0 in (75 mm)
Cylinder stroke	44.1 in (1 120 mm)
Arm cylinder	One (1)
Cylinder bore	4.5 in (115 mm)
Cylinder rod diameter	3.1 in (80 mm)
Cylinder stroke	43.6 in (1 108 mm)
Bucket cylinder	One (1)
Cylinder bore	3.7 in (95 mm)
Cylinder rod diameter	2.6 in (65 mm)
Cylinder stroke	34.7 in (881 mm)
Blade cylinder	Two (2)
Cylinder bore	4.5 in (115 mm)
Cylinder rod diameter	2.8 in (70 mm)
Cylinder stroke	9.8 in (250 mm)

## SERVICE CAPACITIES

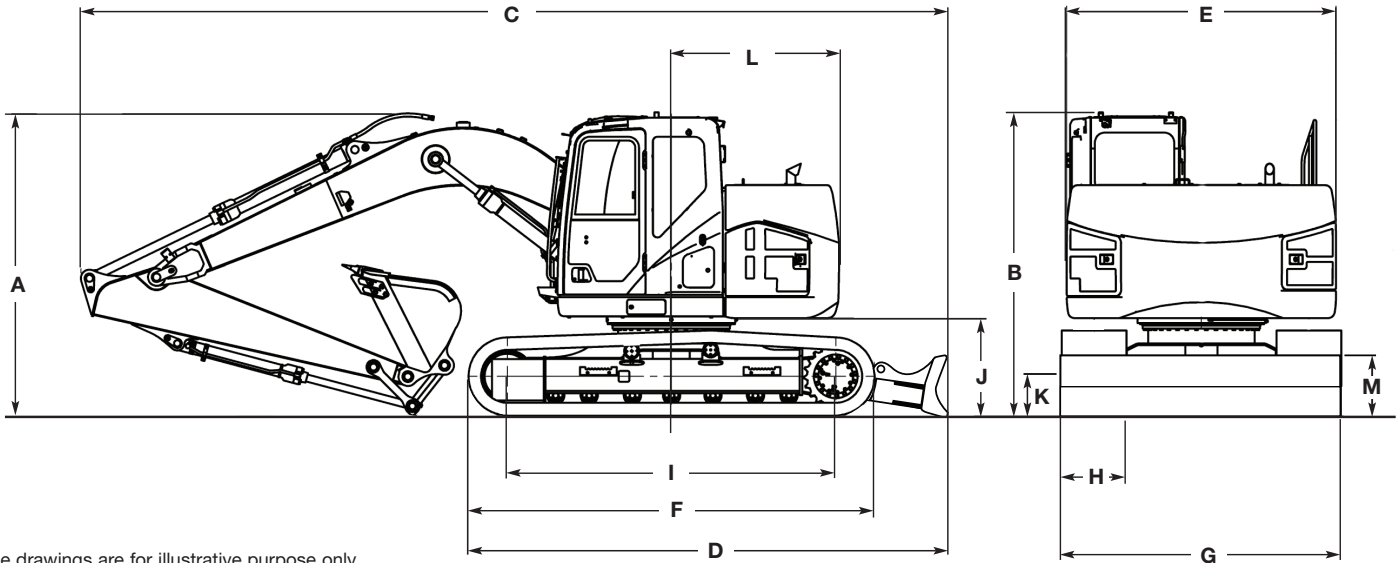
Fuel tank	53 gal (200 L)
Hydraulic system	42 gal (158 L)
Hydraulic tank	20 gal (75 L)
Engine oil w/ filter	4.5 gal (17 L)
Swing drive	0.6 gal (2.2 L)
Final drive	0.6 gal (2.1 L)
Cooling system	4.4 gal (16.5 L)
Def Tank	11.9 gal (45 L)

## OTHER SPECIFICATIONS

Swing speed	0 – 12.5 RPM
Swing torque	27,400 lb-ft (37 000 N-m)
Swing brake	Mechanical disc
Undercarriage:	
Length	13 ft 8 in (4 160 mm)
Track gauge	6 ft 6 in (1 990 mm)
Carrier rollers – each side	1
Track rollers – each side	7
Shoes – triple grouser – each side	43
Shoe width – std.	2 ft 0 in (600 mm)
Link pitch	6.8 in (172 mm)
Track:	
Chain	Grease lubricated/strutted
Guides	Single
Adjustment	Hydraulic

## BUCKETS

Application	Width	SAE Rated Capacity
Heavy-Duty Pin-On	18 in to 48 in (457 mm to 1 219 mm)	0.36 yd <sup>3</sup> to 1.08 yd <sup>3</sup> (0.28 m <sup>3</sup> to 0.83 m <sup>3</sup> )
Heavy-Duty Hi-Capacity Pin-On	18 in to 42 in (457 mm to 1 067 mm)	0.42 yd <sup>3</sup> to 1.08 yd <sup>3</sup> (0.32 m <sup>3</sup> to 0.83 m <sup>3</sup> )
Heavy-Duty Coupler	18 in to 48 in (457 mm to 1 219 mm)	0.31 yd <sup>3</sup> to 0.95 yd <sup>3</sup> (0.24 m <sup>3</sup> to 0.73 m <sup>3</sup> )
Ditch Cleaning Pin-On	48 in to 60 in (1 219 mm to 1 524 mm)	0.64 yd <sup>3</sup> to 1.02 yd <sup>3</sup> (0.49 m <sup>3</sup> to 0.78 m <sup>3</sup> )

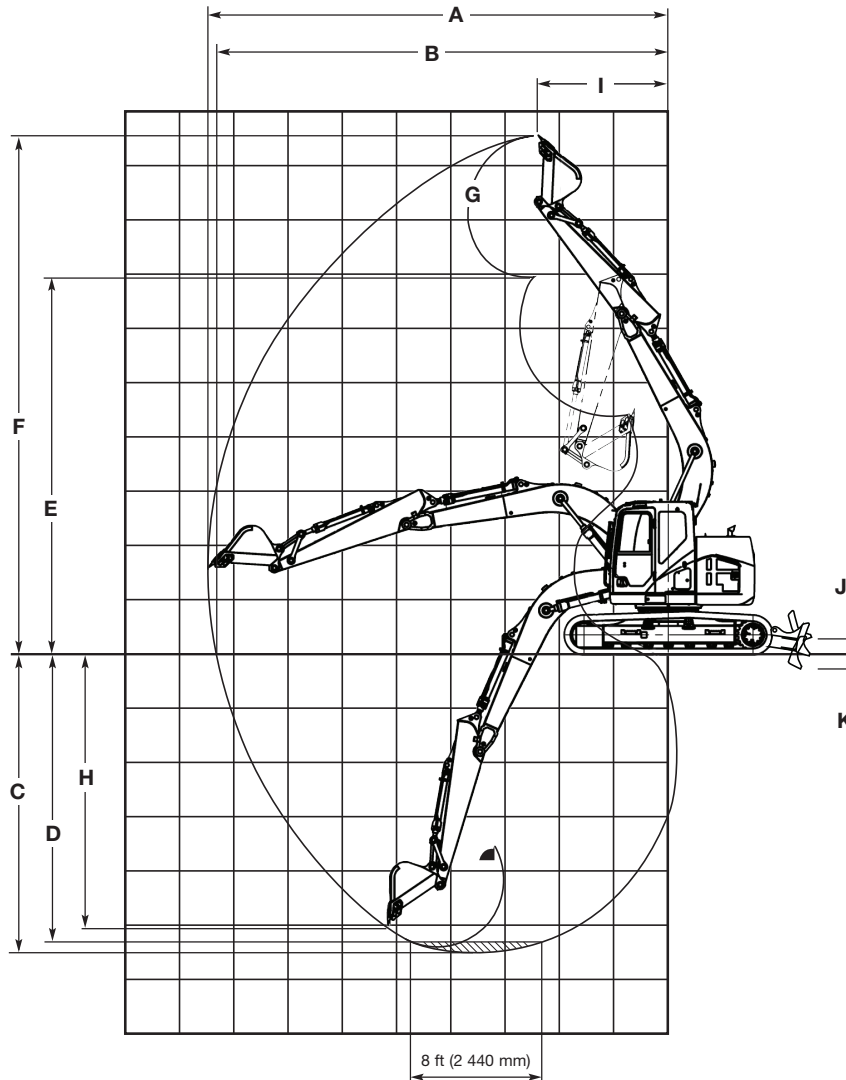


Line drawings are for illustrative purpose only and may not be exact representation of unit.

## DIMENSIONS

	8 ft 2 in (2.50 m) Arm	9 ft 10 in (3.01 m) Arm	6 ft 11 in (2.11 m) Arm
<b>A.</b> Overall height – to top of boom	9 ft 4 in (2 840 mm)	8 ft 10 in (2 680 mm)	9 ft 0 in (2 750 mm)
<b>B.</b> Cab height	9 ft 3 in (2 820 mm)	9 ft 3 in (2 820 mm)	9 ft 3 in (2 820 mm)
<b>C.</b> Overall length – with attachment	25 ft 10 in (7 880 mm)	25 ft 9 in (7 860 mm)	25 ft 10 in (7 870 mm)
<b>D.</b> Overall length – without attachment	13 ft 8 in (4 160 mm)	13 ft 8 in (4 160 mm)	13 ft 8 in (4 160 mm)
<b>E.</b> Width of upper structure	8 ft 2 in (2 490 mm)	8 ft 2 in (2 490 mm)	8 ft 2 in (2 490 mm)
<b>F.</b> Track overall length	11 ft 6 in (3 500 mm)	11 ft 6 in (3 500 mm)	11 ft 6 in (3 500 mm)
<b>G.</b> Track overall width with 23.6 in (600 mm) shoes	8 ft 6 in (2 590 mm)	8 ft 6 in (2 590 mm)	8 ft 6 in (2 590 mm)
<b>H.</b> Track shoe width	2 ft 0 in (600 mm)	2 ft 0 in (600 mm)	2 ft 0 in (600 mm)
<b>I.</b> Center to center – idler to sprocket	9 ft 2 in (2 790 mm)	9 ft 2 in (2 790 mm)	9 ft 2 in (2 790 mm)
<b>J.</b> Upper structure ground clearance	2 ft 11 in (880 mm)	2 ft 11 in (880 mm)	2 ft 11 in (880 mm)
<b>K.</b> Minimum ground clearance	1 ft 5 in (425 mm)	1 ft 5 in (425 mm)	1 ft 5 in (425 mm)
<b>L.</b> Rear tail swing radius	5 ft 0 in (1 530 mm)	5 ft 0 in (1 530 mm)	5 ft 0 in (1 530 mm)
<b>M.</b> Blade Height	22 in (570 mm)	22 in (570 mm)	22 in (570 mm)

NOTE: \*With 23.6 in (600 mm) track shoe, 1,067 lb (484 kg) bucket, 165 lb (75 kg) operator, full fuel and standard equipment.



**PERFORMANCE SPECS**

	<b>8 ft 2 in (2.50 m) Arm</b>	<b>9 ft 10 in (3.01 m) Arm</b>	<b>6 ft 11 in (2.11 m) Arm</b>
<b>A.</b> Maximum dig radius	27 ft 2 in (8 290 mm)	28 ft 8 in (8 740 mm)	26 ft 1 in (7 940 mm)
<b>B.</b> Dig radius at groundline	26 ft 8 in (8 140 mm)	28 ft 3 in (8 600 mm)	25 ft 6 in (7 780 mm)
<b>C.</b> Maximum dig depth	18 ft 1 in (5 510 mm)	19 ft 9 in (6 010 mm)	16 ft 9 in (5 110 mm)
<b>D.</b> Dig depth – 8 ft 0 in (2.44 m) level bottom	17 ft 4 in (5 290 mm)	19 ft 2 in (5 830 mm)	16 ft 0 in (4 870 mm)
<b>E.</b> Dump height	22 ft 9 in (6 940 mm)	23 ft 11 in (7 290 mm)	21 ft 10 in (6 660 mm)
<b>F.</b> Maximum reach height	30 ft 8 in (9 340 mm)	31 ft 9 in (9 690 mm)	29 ft 9 in (9 060 mm)
<b>G.</b> Bucket rotation	178°	178°	178°
<b>H.</b> Maximum vertical wall dig depth	16 ft 1 in (4 900 mm)	17 ft 4 in (5 280 mm)	15 ft 0 in (4 560 mm)
<b>I.</b> Minimum swing radius	7 ft 8 in (2 340 mm)	9 ft 0 in (2 750 mm)	6 ft 8 in (2 030 mm)
<b>J.</b> Blade Maximum lift above ground	1 ft 8 in (510 mm)	1 ft 8 in (510 mm)	1 ft 8 in (510 mm)
<b>K.</b> Blade Minimum drop below ground	1 ft 9 in (520 mm)	1 ft 9 in (520 mm)	1 ft 9 in (520 mm)
Arm digging force:			
Standard	13,900 lbf (62 kN)	12,600 lbf (56 kN)	15,700 lbf (70 kN)
Power Boost	14,800 lbf (66 kN)	13,500 lbf (60 kN)	16,600 lbf (74 kN)
Bucket digging force:			
Standard	20,200 lbf (90 kN)	20,200 lbf (90 kN)	20,200 lbf (90 kN)
Power Boost	21,400 lbf (95 kN)	21,400 lbf (95 kN)	21,400 lbf (95 kN)

**LIFT CAPACITIES**

**8 ft 3 in (2.50 m) Arm** Lift capacities calculated using a 880 lb (400 kg) bucket, 7,860 lb (3 570 kg) counterweight with dozer blade on ground.

Load (Lift Point Height)	MINIMUM REACH			5 ft (1.5 m)		10 ft (3 m)		15 ft (4.5 m)		20 ft (6 m)		25 ft (7.5 m)		MAXIMUM REACH		
	@	END	SIDE	END	SIDE	END	SIDE	END	SIDE	END	SIDE	END	SIDE	@	END	SIDE
+25 ft (7.5 m)	11 ft 1 in (3.43 m)	3,900 lb* (1 850 kg)*	3,900 lb* (1 850 kg)*					4,850 lb* (2 380 kg)*	4,850 lb* (2 380 kg)*					16 ft 8 in (5.24 m)	2,950 lb* (1 310 kg)*	2,950 lb* (1 310 kg)*
+20 ft (6 m)	12 ft 1 in (3.68 m)	7,100 lb* (3 250 kg)*	7,100 lb* (3 250 kg)*					6,350 lb* (2 980 kg)*	6,350 lb* (2 980 kg)*	4,800 lb* (2 340 kg)*	4,800 lb* (2 340 kg)*			21 ft 9 in (6.70 m)	2,450 lb* (1 110 kg)*	2,450 lb* (1 110 kg)*
+15 ft (4.5 m)	10 ft 7 in (3.18 m)	8,050 lb* (3 680 kg)*	8,050 lb* (3 680 kg)*					8,050 lb* (3 710 kg)*	8,050 lb* (3 710 kg)*	6,400 lb* (2 950 kg)*	5,500 lb* (2 560 kg)	2,447 lb (1 110 kg)*	2,447 lb (1 110 kg)*	24 ft 7 in (7.52 m)	2,350 lb* (1 050 kg)*	2,350 lb* (1 050 kg)*
+10 ft (3 m)	4 ft 10 in (1.53 m)	16,300 lb* (6 850 kg)*	16,300 lb* (6 850 kg)*	28,250 lb* (12 814 kg)	28,250 lb* (12 814 kg)	15,650 lb* (7 270 kg)*	15,650 lb* (7 270 kg)*	11,450 lb* (5 280 kg)*	8,450 lb (3 920 kg)	8,300 lb* (3 880 kg)*	5,300 lb (2 450 kg)	4,500 lb* (2 320 kg)*	3,550 lb (1 660 kg)	26 ft 0 in (7.92 m)	2,350 lb* (1 060 kg)*	2,350 lb* (1 060 kg)*
+5 ft (1.5 m)	7 ft 1 in (2.15 m)	8,050 lb* (3 620 kg)*	8,050 lb* (3 620 kg)*			21,350 lb* (9 820 kg)*	15,000 lb (6 970 kg)	13,750 lb* (6 350 kg)	7,900 lb (3 670 kg)	10,300 lb* (4 750 kg)*	5,000 lb (2 330 kg)	5,450 lb* (2 780 kg)*	3,450 lb (1 610 kg)	26 ft 3 in (8.00 m)	2,450 lb* (1 120 kg)*	2,450 lb* (1 120 kg)*
Groundline	4 ft 8 in (1.43 m)	5,800 lb* (2 630 kg)*	5,800 lb* (2 630 kg)*	6,200 lb* (2 770 kg)*	6,200 lb* (2 770 kg)*	19,250 lb* (8 350 kg)*	14,000 lb (6 510 kg)	14,650 lb* (6 760 kg)*	7,450 lb (3 460 kg)	10,600 lb* (4 890 kg)*	4,800 lb (2 230 kg)	4,450 lb* (2 490 kg)*	3,350 lb (1 570 kg)	25 ft 6 in (7.77 m)	2,750 lb* (1 250 kg)*	2,750 lb* (1 250 kg)*
-5 ft (-1.5 m)	0 ft 9 in (0.24 m)	8,000 lb* (3 590 kg)*	8,000 lb* (3 590 kg)*	11,500 lb* (5 170 kg)*	11,500 lb* (5 170 kg)*	21,350 lb* (9 630 kg)*	13,850 lb (6 460 kg)	14,150 lb* (6 550 kg)*	7,250 lb (3 370 kg)	10,050 lb* (4 660 kg)*	4,700 lb (2 190 kg)			23 ft 8 in (7.22 m)	3,350 lb* (1 510 kg)*	3,350 lb* (1 510 kg)*
-10 ft (-3 m)	1 ft 7 in (0.46 m)	13,000 lb* (5 810 kg)*	13,000 lb* (5 810 kg)*	18,250 lb* (8 110 kg)*	18,250 lb* (8 110 kg)*	17,250 lb* (8 000 kg)*	14,100 lb (6 560 kg)	11,750 lb* (5 490 kg)*	7,350 lb (3 420 kg)	6,750 lb* (3 530 kg)*	4,800 lb (2 250 kg)			20 ft 5 in (6.26 m)	4,650 lb* (2 070 kg)*	4,650 lb* (2 070 kg)*
-15 ft (-4.5 m)	6 ft 3 in (1.77 m)	11,650 lb* (5 760 kg)*	11,650 lb* (5 760 kg)*			9,350 lb* (4 530 kg)*	9,350 lb* (4 530 kg)*	5,000 lb* (2 670 kg)*	5,000 lb* (2 670 kg)*					15 ft 1 in (4.69 m)	4,700 lb* (2 220 kg)*	4,700 lb* (2 220 kg)*

**9 ft 10 in (3.01 m) Arm** Lift capacities calculated using a 750 lb (340 kg) bucket, 7,860 lb (3 570 kg) counterweight with dozer blade on ground.

Load (Lift Point Height)	MINIMUM REACH			0 ft (0 m)		5 ft (1.5 m)		10 ft (3 m)		15 ft (4.5 m)		20 ft (6 m)		25 ft (7.5 m)		MAXIMUM REACH		
	@	END	SIDE	END	SIDE	END	SIDE	END	SIDE	END	SIDE	END	SIDE	END	SIDE	@	END	SIDE
+25 ft (7.5 m)	12 ft 10 in (3.95 m)	4,400 lb* (2 080 kg)*	4,400 lb* (2 080 kg)*							5,150 lb* (2 350 kg)*	5,150 lb* (2 350 kg)*					19 ft 1 in (5.96 m)	2,850 lb* (1 280 kg)*	2,850 lb* (1 280 kg)*
+20 ft (6 m)	13 ft 9 in (4.18 m)	6,150 lb* (2 800 kg)*	6,150 lb* (2 800 kg)*							6,000 lb* (2 760 kg)*	6,000 lb* (2 760 kg)*	4,950 lb* (2 300 kg)*	4,950 lb* (2 300 kg)*			23 ft 7 in (7.25 m)	2,500 lb* (1 120 kg)*	2,500 lb* (1 120 kg)*
+15 ft (4.5 m)	12 ft 6 in (3.76 m)	6,550 lb* (2 990 kg)*	6,550 lb* (2 990 kg)*							6,750 lb* (3 090 kg)*	6,750 lb* (3 090 kg)*	5,800 lb* (2 740 kg)*	5,600 lb* (2 610 kg)*	4,000 lb* (2 000 kg)*	3,750 lb (1 750 kg)	26 ft 2 in (8.00 m)	2,400 lb* (1 080 kg)*	2,400 lb* (1 080 kg)*
+10 ft (3 m)	7 ft 1 in (2.04 m)	9,650 lb* (4 610 kg)*	9,650 lb* (4 610 kg)*					9,900 lb* (4 640 kg)*	9,900 lb* (4 640 kg)*	9,200 lb* (4 260 kg)*	8,550 lb (3 960 kg)	7,550 lb* (3 510 kg)*	5,400 lb (2 510 kg)	5,400 lb* (2 570 kg)*	3,650 lb (1 700 kg)	27 ft 6 in (8.38 m)	2,400 lb* (1 080 kg)*	2,400 lb* (1 080 kg)*
+5 ft (1.5 m)	6 ft 10 in (2.08 m)	8,300 lb* (3 800 kg)*	8,300 lb* (3 800 kg)*					19,450 lb* (8 950 kg)*	15,400 lb (7 170 kg)	13,050 lb* (6 020 kg)*	8,050 lb (3 730 kg)	9,950 lb* (4 590 kg)*	5,100 lb (2 370 kg)	6,400 lb* (3 080 kg)*	3,500 lb (1 630 kg)	27 ft 9 in (8.46 m)	2,500 lb* (1 150 kg)*	2,500 lb* (1 150 kg)*
Groundline	4 ft 4 in (1.32 m)	5,650 lb* (2 560 kg)*	5,650 lb* (2 560 kg)*			6,350 lb* (2 840 kg)*	6,350 lb* (2 840 kg)*	22,300 lb* (9 660 kg)*	14,050 lb (6 540 kg)	14,450 lb* (6 670 kg)*	7,500 lb (3 480 kg)	10,500 lb* (4 860 kg)*	4,850 lb (2 240 kg)	6,700 lb* (3 290 kg)*	3,400 lb (1 570 kg)	27 ft 1 in (8.24 m)	2,800 lb* (1 270 kg)*	2,800 lb* (1 270 kg)*
-5 ft (-1.5 m)	0 ft 0 in (0.00 m)	8,650 lb* (3 900 kg)*	8,650 lb* (3 900 kg)*	8,600 lb (3 900 kg)	8,600 lb (3 900 kg)	10,550 lb* (4 730 kg)*	10,550 lb* (4 730 kg)*	21,600 lb* (9 440 kg)*	13,650 lb (6 370 kg)	14,350 lb* (6 640 kg)*	7,200 lb (3 340 kg)	10,300 lb* (4 770 kg)*	4,650 lb (2 170 kg)	4,250 lb* (2 430 kg)*	3,350 lb (1 550 kg)	25 ft 4 in (7.72 m)	3,350 lb* (1 500 kg)*	3,250 lb (1 480 kg)
-10 ft (-3 m)	0 ft 0 in (0.00 m)	11,400 lb* (5 160 kg)*	11,400 lb* (5 160 kg)*	11,400 lb (5 160 kg)	11,400 lb (5 160 kg)	15,650 lb* (6 940 kg)*	15,650 lb* (6 940 kg)*	18,950 lb* (8 780 kg)*	13,800 lb (6 430 kg)	12,750 lb* (5 920 kg)*	7,250 lb (3 360 kg)	8,700 lb* (4 100 kg)*	4,750 lb (2 190 kg)			22 ft 4 in (6.84 m)	4,400 lb* (1 970 kg)*	4,000 lb (1 800 kg)
-15 ft (-4.5 m)	3 ft 3 in (0.91 m)	18,950 lb* (8 240 kg)*	18,950 lb* (8 240 kg)*			19,350 lb* (9 240 kg)*	19,350 lb* (9 240 kg)*	12,550 lb* (5 950 kg)*	12,550 lb* (5 950 kg)*	8,200 lb* (3 960 kg)*	7,350 lb (3 430 kg)					17 ft 6 in (5.42 m)	5,300 lb* (2 440 kg)*	5,300 lb* (2 440 kg)*

**6 ft 11 in (2.11 m) Arm** Lift capacities calculated using a 900 lb (410 kg) bucket, 7,860 lb (3 570 kg) counterweight with dozer blade on ground.

Load (Lift Point Height)	MINIMUM REACH			5 ft (1.5 m)		10 ft (3 m)		15 ft (4.5 m)		20 ft (6 m)		25 ft (7.5 m)		MAXIMUM REACH				
	@	END	SIDE	END	SIDE	END	SIDE	END	SIDE	END	SIDE	END	SIDE	@	END	SIDE		
+25 ft (7.5 m)	9 ft 8 in (3.01 m)	3,500 lb* (1 670 kg)*	3,500 lb* (1 670 kg)*			3,800 lb* (1 724 kg)	3,800 lb* (1 724 kg)	(1 990 kg)*	(1 990 kg)*					14 ft 7 in (4.63 m)	3,650 lb* (1 620 kg)*	3,650 lb* (1 620 kg)*		
+20 ft (6 m)	10 ft 10 in (3.3 m)	7,350 lb* (3 520 kg)*	7,350 lb* (3 520 kg)*					6,900 lb* (3 210 kg)*	6,900 lb* (3 210 kg)*	3,800 lb* (2 190 kg)*	3,800 lb* (2 190 kg)*			20 ft 4 in (6.26 m)	3,000 lb* (1 350 kg)*	3,000 lb* (1 350 kg)*		
+15 ft (4.5 m)	8 ft 3 in (2.46 m)	5,500 lb* (2 450 kg)*	5,500 lb* (2 450 kg)*					9,450 lb* (4 390 kg)*	8,650 lb (4 020 kg)	7,150 lb* (3 340 kg)*	5,350 lb (2 500 kg)			23 ft 4 in (7.14 m)	2,800 lb* (1 260 kg)*	2,800 lb* (1 260 kg)*		
+10 ft (3 m)	6 ft 3 in (1.94 m)	14,450 lb* (6 550 kg)*	14,450 lb* (6 550 kg)*					17,400 lb* (8 050 kg)*	16,200 lb (7 520 kg)	12,050 lb* (5 560 kg)*	8,250 lb (3 830 kg)	9,450 lb* (4 410 kg)*	5,150 lb (2 400 kg)	3,594 lb (1 630 kg)*	3,109 lb (1 610 kg)	24 ft 10 in (7.57 m)	2,800 lb* (1 260 kg)*	2,800 lb* (1 260 kg)*
+5 ft (1.5 m)	8 ft 1 in (2.46 m)	8,700 lb* (3 910 kg)*	8,700 lb* (3 910 kg)*					21,600 lb* (10 000 kg)*	14,500 lb (6 750 kg)	14,050 lb* (6 510 kg)*	7,700 lb (3 580 kg)	10,400 lb* (4 800 kg)*	4,900 lb (2 280 kg)	3,350 lb* (2 180 kg)*	3,350 lb* (1 580 kg)	25 ft 1 in (7.65 m)	2,950 lb* (1 330 kg)*	2,950 lb* (1 330 kg)*
Groundline	6 ft 2 in (1.87 m)	6,750 lb* (3 050 kg)*	6,750 lb* (3 050 kg)*					17,600 lb* (7 640 kg)*	13,700 lb (6 370 kg)	14,550 lb* (6 720 kg)*	7,300 lb (3 400 kg)	10,500 lb* (4 850 kg)*	4,700 lb (2 190 kg)			24 ft 4 in (7.41 m)	3,300 lb* (1 490 kg)*	3,300 lb* (1 490 kg)*
-5 ft (-1.5 m)	2 ft 1 in (0.63 m)	8,850 lb* (3 970 kg)*	8,850 lb* (3 970 kg)*	12,450 lb* (5 600 kg)*	12,450 lb* (5 600 kg)*	20,300 lb* (9 350 kg)*	13,800 lb (6 440 kg)	13,700 lb* (6 340 kg)*	7,200 lb (3 350 kg)	9,550 lb* (4 450 kg)*	4,700 lb (2 170 kg)			22 ft 4 in (6.82 m)	4,000 lb* (1 810 kg)*	3,950 lb (1 800 kg)		
-10 ft (-3 m)	3 ft 0 in (0.89 m)	15,850 lb* (7 030 kg)*	15,850 lb* (7 030 kg)*	18,750 lb* (8 340 kg)*	18,750 lb* (8 340 kg)*	15,400 lb* (7 170 kg)*	13,950 lb (6 500 kg)	10,600 lb* (4 980 kg)*	7,400 lb (3 430 kg)					18 ft 11 in (5.8 m)	5,700 lb* (2 520 kg)*	5,200 lb (2 340 kg)		
-15 ft (-4.5 m)	9 ft 6 in (2.9 m)	6,945 lb* (3 150 kg)*	6,945 lb* (3 150 kg)*			6,790 lb (3 080 kg)*	6,790 lb (3 080 kg)*							12 ft 5 in (3.79 m)	4,982 lb (2 260 kg)*	4,982 lb (2 260 kg)*		

NOTE: \*Following number indicates hydraulic capacity

## STANDARD EQUIPMENT

### ENGINE

Isuzu four-cylinder turbo-charged diesel  
Tier 4 Final – CEGR, DOC, SCR  
Electronic fuel injection  
High pressure common rail system  
Diesel Oxidation Catalyst System (DOC)  
Neutral safety start  
Auto-engine warm up  
Glow-plug pre-heat  
EPF (Engine Protection Feature)  
Dual-stage fuel filtration  
Dual element air filter  
Remote oil filter  
Green plug oil drain  
500-hour engine oil change interval  
24-volt system  
Requires CJ-4 engine oil  
Requires ultra low-sulfur fuel

### FUEL ECONOMY SYSTEMS

Engine Idle/Fuel Economy System:  
Auto-idle  
One-touch idle  
Auto-idle shut-down  
BEC – Boom Economy Control  
AEC – Auto Economy Control  
SWC – Swing Relief Control  
SSC – Spool Stroke Control

### HYDRAULICS

Auto power boost  
Auto swing priority  
Auto travel speed change  
Selectable work modes  
ISO pattern controls  
Pre-set auxiliary pump settings  
Auxiliary valve  
5,000-hour hydraulic oil change interval  
1,000-hour hydraulic filter change interval  
SAHR brake  
Free Swing  
Control Pattern Selector

### UPPER STRUCTURE

Right and left side mirrors  
Isolation mounted cab (fluid and spring)  
Common key vandal locks  
Upper mounted work light (70 watt)  
Swivel guard belly pan

### ATTACHMENTS

Boom – 15 ft 2 in (4.63 m)  
Arm – 8 ft 2 in (2.50 m)  
Heavy-duty bucket linkage  
Boom mounted work light (70 watt)  
Auxiliary pipe brackets  
Centralized grease fittings  
Attachment cushion valve  
Foldable hand rails  
Arm and boom regeneration

### OPERATOR ENVIRONMENT

ROPS protection  
FOPS cab top guard (Level 1)  
Pressurized cab  
One-touch lock front window  
AC/heat/defrost with auto climate control  
Color monitor – 7 in (180 mm)  
Interior dome light  
Air-suspension seat (cloth)  
Seatbelt – 3 in (76 mm)  
Adjustable armrests  
Tilting consoles – 4-position  
Low-effort joystick controls  
Sliding cockpit – 7 in (180 mm)  
Straight travel  
AM/FM Radio with Bluetooth, antenna  
and two speakers  
Aux-in port for personal electronics  
Rear-view camera  
Anti-theft system (start code system)  
Side view camera – right  
Rubber floor mat  
12-volt electric outlet

24-volt cigarette lighter  
External rearview mirrors  
Windshield wiper/washer  
Clear (polycarbonate) roof window  
with sunshade  
Cup holder  
Storage compartments  
On-board diagnostic system  
Travel alarm with cancel switch  
One key start and lock-up

### UNDERCARRIAGE

23.6 in (600 mm) steel shoes,  
triple grouser  
Full overlap turntable bearing hub  
Hydraulic track adjustment  
X-pattern carbody

### DOZER BLADE

Front dozer blade – 8 ft 6 in (2.59 m) width,  
22 in (570 mm) height, comes with 23.6 in  
(600 mm) steel shoes

### TELEMATICS

CASE SiteWatch™ Telematics – includes  
hardware and a 3-yr Advanced  
data subscription

## OPTIONAL EQUIPMENT

### HYDRAULICS

Auxiliary hydraulics:  
Single acting/joystick activated  
Double acting/joystick activated  
Multi-function/joystick activated  
Secondary low-flow/joystick activated

### ATTACHMENTS

Standard arm – 9 ft 11 in (3.01 m)  
Heavy-duty arm – 6 ft 10 in (2.11 m)  
Coupler/Case multi-pin grabber  
Buckets:  
Heavy-duty  
Extreme-duty  
Load holding control  
Hose Burst Check Valve (HBCV)

### UNDERCARRIAGE

27.6 in (700 mm) steel shoes,  
triple semi-grouser  
20.0 in (500 mm) rubber shoes  
Double track chain guides

### OPERATOR ENVIRONMENT

FOPS cab top guard (Level 2)  
Front grill guard – 2 x 2 screen mesh  
Front rock guard – vertical bars  
(two piece)/OPG 1  
Front rock guard – vertical bars  
(fixed/one piece)/OPG 2  
Vandal guard  
Rain deflector  
Sun visor  
Side-view camera  
Refueling pump

©2018 CNH Industrial America LLC. All rights reserved. CASE is a trademark registered in the United States and many other countries, owned by or licensed to CNH Industrial N.V., its subsidiaries or affiliates. CNH Industrial Capital is a trademark in the United States and many other countries, owned by or licensed to CNH Industrial N.V., its subsidiaries or affiliates. Printed in U.S.A. Contains 10% post-consumer fiber.

Form No. **CCE201807CX145DSRDB**  
Replaces Form No. CCE201705CX145DSRDB

**CX145D SR DB**

IMPORTANT: CASE Construction Equipment Inc. reserves the right to change these specifications without notice and without incurring any obligation relating to such change. Availability of some models and equipment builds vary according to the country in which the equipment is used. The illustrations and text may include optional equipment and accessories and may not include all standard equipment. Your CASE dealer/distributor will be able to give you details of the products and their specifications available in your area.



CASE Construction Equipment is biodiesel-friendly. NOTE: All engines meet current EPA emissions regulations. All specifications are stated in accordance with SAE Standards or Recommended Practices, where applicable.



Always read the Operator's Manual before operating any equipment. Inspect equipment before using it, and be sure it is operating properly. Follow the product safety signs and use any safety features provided.