

ENGINE

Model	Isuzu AQ-6WG1X Cooled EGR
Emissions Certification	Tier 4 Final
Fuel	Requires ultra low-sulfur fuel B5 biodiesel tolerant
Type	Water-cooled, 4-cycle, high pressure common rail system. Turbo-charged w/ air cooled intercooler, SCR system
Cylinders	6-cylinder in-line
Displacement	957 in ³ (15.6 L)
Bore/Stroke	4.72 x 5.71 in (147 x 154 mm)
Fuel injection	Direct injection – electronic
Fuel filter	Replaceable, full flow spin-on cartridge
Air filter	Dry type element w/ warning restriction indicator
Oil filter	Replaceable, full flow spin-on cartridge
Engine gradeability:	
Side-to-side	35°
Fore and aft	35°
Net horsepower – ISO 14396 @ 1800 RPM:	460 HP (343 kW)
Gross horsepower – ISO 14396 @ 1800 RPM:	512 hp (682 kW)
Net Max. Torque – ISO 14396 @ 1450 RPM:	1,623 lb-ft (2 200 N-m)
Cooling operating range:	109° to -13° F (43° to -25° C)
Oil	Requires low-ash oil CJ-4

DRIVETRAIN

Travel control	Dual stage relief/ counter balance design
Brakes	Mechanical disc
Service brakes	SAHR disc – each motor
Two speed travel:	
Max. high speed	2.7 mph (4.3 km/h)
Max. low speed	1.9 mph (3.0 km/h)
Automatic downshift	
Drawbar pull	101,000 lbf (449 kN)
Gradeability	70% - 35 degree slope

ELECTRICAL

Voltage	24 Volts
Alternator rating	50 amp
Batteries	2 x 12 Volt
Battery reserve capacity	140 Ah/5 hours
Work lights – 4	24 Volt/70 watt
2 boom, 1 upper, 2 cab	

OPERATOR ENVIRONMENT

Air-conditioner output	18,100 BTU/hr
Heater output	20,150 BTU/hr
Sound level inside cab – ISO6395	71.0 dBA
Electrical outlet	12 Volt
Cab interior light	10 watt
Rear view camera	Standard
Seat	Heated, air-suspension

ATTACHMENT

Boom	25 ft 4 in (7 700 mm)
Arm options	11 ft 6 in (3.55 m) 9 ft 9 in (3.02 m) 13 ft 5 in (4.11 m) 16 ft 4 in (5.00 m)
Bucket digging force* w/ Auto Power Up	68,790 lbf (306 kN) 75,090 lbf (334 kN)

NOTE: *Digging force rating based on ISO6015 using an 11 ft 6 in (3 510 mm) arm.

OPERATING WEIGHT

Operating weight	158,300 lb (71 800 kg)
w/ shoes	2 ft 11 in (900 mm)
w/ boom	25 ft 4 in (7 700 mm)
w/ arm	11 ft 6 in (3.55 m)
w/ bucket	6,600 lb (2 993 kg)
w/ counterweight	22,900 lb (10 400 kg)

NOTE: w/ operator/full fuel/standard equipment.

GROUND PRESSURE

@ Standard operating weight 11.3 psi (0.78 bar)
w/ 35.4 in (900 mm) triple semi-grouser shoes

HYDRAULICS

System design	Open center
Main pumps	Two variable displacement/ axial piston
Max. rated flow	2 x 125 gpm (472 L/min)
System pressures:	
Boom, arm and bucket	4,550 psi (320 bar)
w/ Power Boost	4,970 psi (350 bar)
Travel circuits	4,970 psi (350 bar)
Swing circuits	4,050 psi (285 bar)
Pilot pump	1 x gear design
Max. capacity	7.1 gpm (27 L/min)
Controls	w/ boom/arm holding valve
Right track travel, bucket, boom and arm acceleration.	Four-spool section
Left track travel, bucket, boom and arm acceleration.	Five-spool section
Work Mode selections	SP: Speed Priority H: Heavy Duty A: Automatic

Swing motor	Fixed displacement axial piston
Swing final drive	Planetary gear reduction
Travel motor	Two-speed independent travel/axial piston

HYDRAULIC CYLINDERS

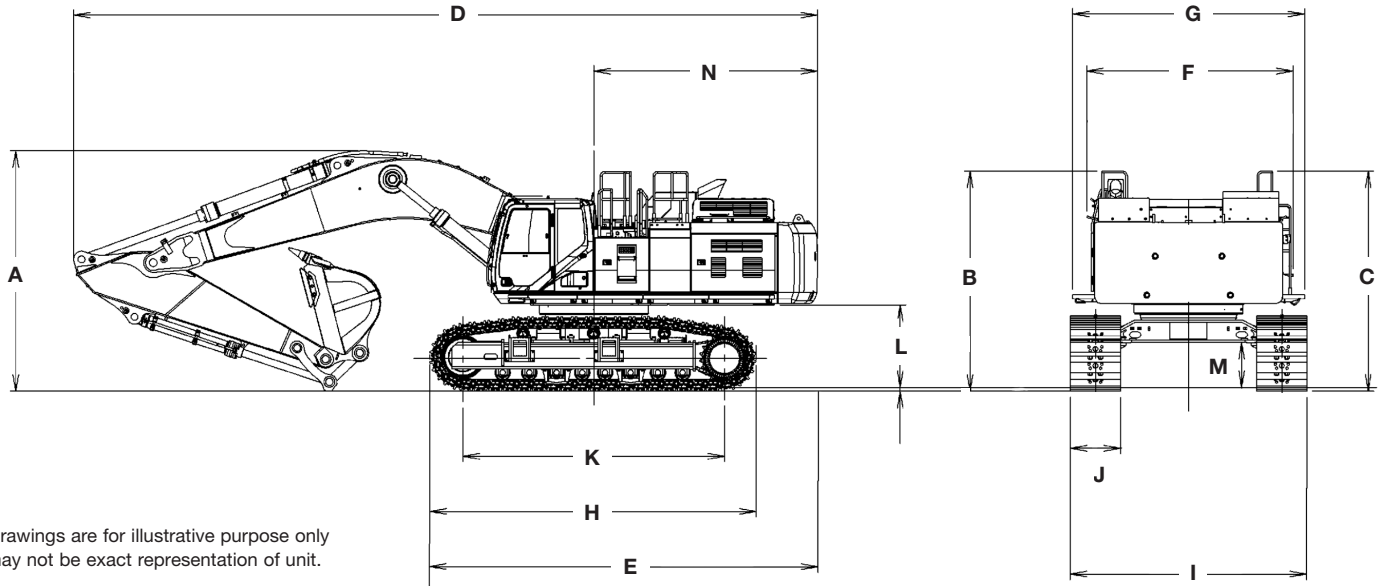
Boom cylinders	Two (2)
Cylinder bore	7.5 in (190 mm)
Cylinder rod diameter	5.1 in (130 mm)
Cylinder stroke	71.1 in (1 805 mm)
Arm cylinder	One (1)
Cylinder bore	8.3 in (210 mm)
Cylinder rod diameter	5.7 in (145 mm)
Cylinder stroke	80.9 in (2 055 mm)
Bucket cylinder	One (1)
Cylinder bore	7.3 in (185 mm)
Cylinder rod diameter	4.9 in (125 mm)
Cylinder stroke	57.7 in (1 465 mm)

SERVICE CAPACITIES

Fuel tank	238 gal (900 L)
Hydraulic system	172 gal (650 L)
Hydraulic tank	81.9 gal (310 L)
Engine oil w/filter	13.7 gal (52 L)
Swing drive	3.6 gal (13.5 L)
Final drive-each side	4.0 gal (15.0 L)
Cooling system	28.5 gal (108 L)
Def tank	40 gal (152 L)

OTHER SPECIFICATIONS

Swing speed	0 - 6.7 RPM
Swing torque	178,000 lb-ft (241 000 N-m)
Swing brake	Mechanical disc
Undercarriage:	
Length	19 ft 4 in (5 880 mm)
Track gauge	10 ft 10 in (3 350 mm)
Carrier rollers	3
Track rollers	8
Shoes – Triple grouser	47
Link pitch	10.25 in (260.35 mm)
Track:	
Chain	Grease lubricated/strutted
Guides	Single
Adjustment	Hydraulic

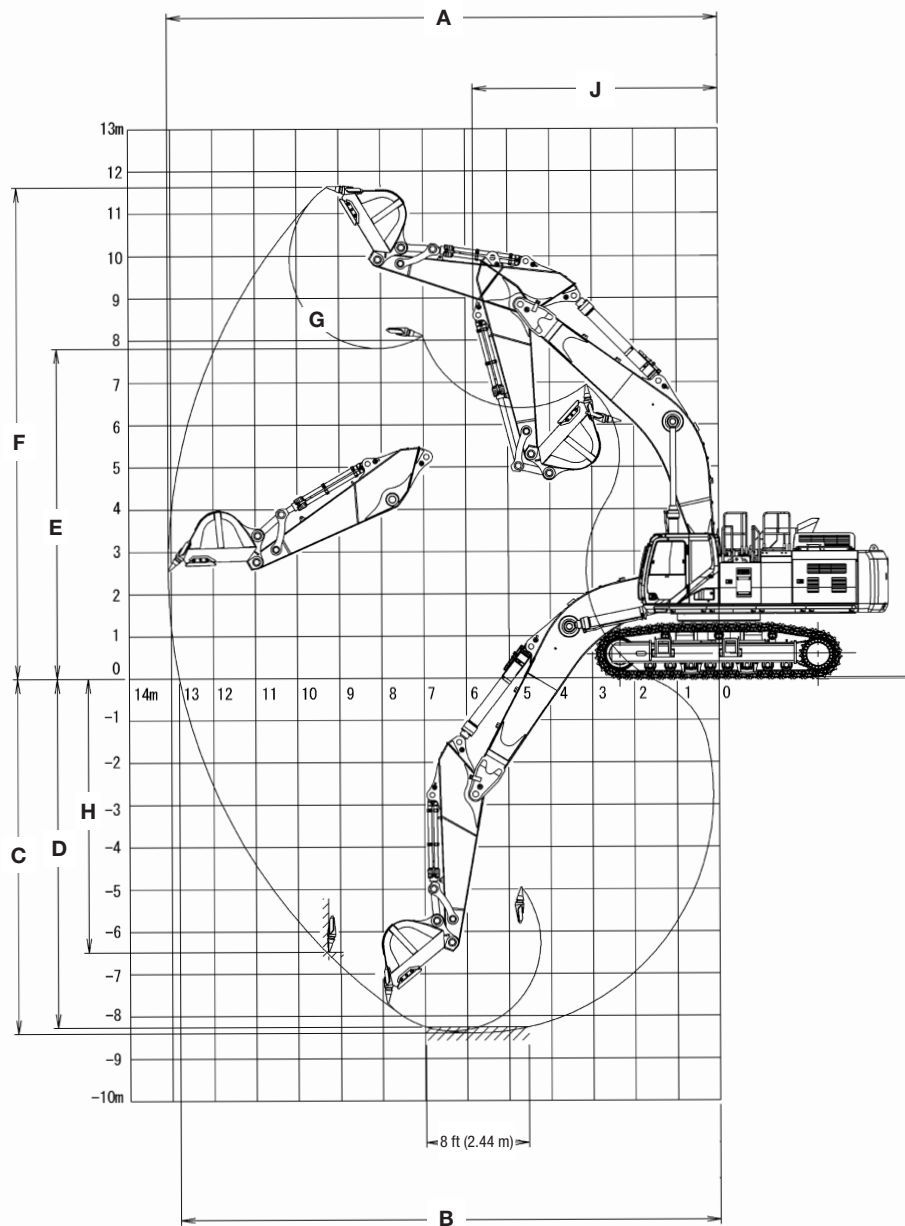


Line drawings are for illustrative purpose only and may not be exact representation of unit.

DIMENSIONS

	11 ft 6 in (3.55 m) Arm	9 ft 9 in (3.02 m) Arm	13 ft 5 in (4.11 m) Arm	16 ft 4 in (5.00 m) Arm
A. Overall height – with attachment	14 ft 2 in (4 320 mm)	14 ft 7 in (4 440 mm)	15 ft 1 in (4 590 mm)	16 ft 7 in (5 050 mm)
B. Cab height	11 ft 6 in (3 510 mm)	11 ft 6 in (3 510 mm)	11 ft 6 in (3 510 mm)	11 ft 6 in (3 510 mm)
C. Overall height – top of guardrail	13 ft 0 in (3 950 mm)	13 ft 0 in (3 950 mm)	13 ft 0 in (3 950 mm)	13 ft 0 in (3 950 mm)
D. Overall length – with attachment	43 ft 10 in (13 370 mm)	43 ft 11 in (13 380 mm)	43 ft 10 in (13 350 mm)	43 ft 6 in (13 250 mm)
E. Overall length – without attachment	22 ft 10 in (6 960 mm)	22 ft 10 in (6 960 mm)	22 ft 10 in (6 960 mm)	22 ft 10 in (6 960 mm)
F. Width of upperstructure – without catwalks	12 ft 2 in (3 700 mm)	12 ft 2 in (3 700 mm)	12 ft 2 in (3 700 mm)	12 ft 2 in (3 700 mm)
G. Width of upperstructure – with catwalks	13 ft 8 in (4 170 mm)	13 ft 8 in (4 170 mm)	13 ft 8 in (4 170 mm)	13 ft 8 in (4 170 mm)
H. Track overall length	19 ft 4 in (5 880 mm)	19 ft 4 in (5 880 mm)	19 ft 4 in (5 880 mm)	19 ft 4 in (5 880 mm)
I. Track overall width with 35.4 in (900 mm) shoes:				
Extended	13 ft 11 in (4 250 mm)	13 ft 11 in (4 250 mm)	13 ft 11 in (4 250 mm)	13 ft 11 in (4 250 mm)
Retracted	11 ft 11 in (3 640 mm)	11 ft 11 in (3 640 mm)	11 ft 11 in (3 640 mm)	11 ft 11 in (3 640 mm)
J. Track shoe width	2 ft 11 in (900 mm)	2 ft 11 in (900 mm)	2 ft 11 in (900 mm)	2 ft 11 in (900 mm)
K. Center to center – idler to sprocket	15 ft 5 in (4 710 mm)	15 ft 5 in (4 710 mm)	15 ft 5 in (4 710 mm)	15 ft 5 in (4 710 mm)
L. Upperstructure ground clearance	4 ft 11 in (1 500 mm)	4 ft 11 in (1 500 mm)	4 ft 11 in (1 500 mm)	4 ft 11 in (1 500 mm)
M. Minimum ground clearance	2 ft 9 in (825 mm)	2 ft 9 in (825 mm)	2 ft 9 in (825 mm)	2 ft 9 in (825 mm)
N. Rear tail swing radius	13 ft 3 in (4 050 mm)	13 ft 3 in (4 050 mm)	13 ft 3 in (4 050 mm)	13 ft 3 in (4 050 mm)
Operating weight*	158,300 lb (71 800 kg)	158,162 lb (71 741 kg)	158,717 lb (71 993 kg)	159,582 lb (72 385 kg)
Ground pressure	11.3 psi (0.78 bar)	11.3 psi (0.78 bar)	11.3 psi (0.78 bar)	11.3 psi (0.78 bar)

NOTE: *Machine equipped with 11 ft 6 in (3.55 m) arm.



PERFORMANCE SPECS

	11 ft 6 in (3.55 m) Arm	9 ft 9 in (3.02 m) Arm	13 ft 5 in (4.11 m) Arm	16 ft 4 in (5.00 m) Arm
A. Maximum dig radius	42 ft 11 in (13 070 mm)	41 ft 11 in (12 780 mm)	44 ft 7 in (13 630 mm)	47 ft 5 in (14 450 mm)
B. Dig radius at groundline	42 ft 0 in (12 810 mm)	41 ft 1 in (12 520 mm)	43 ft 11 in (13 390 mm)	46 ft 8 in (14 220 mm)
C. Maximum dig depth	27 ft 7 in (8 400 mm)	25 ft 10 in (7 870 mm)	29 ft 5 in (8 970 mm)	32 ft 4 in (9 850 mm)
D. Dig depth - 8 ft 0 in (2.44 m) level bottom	27 ft 1 in (8 260 mm)	25 ft 4 in (7 720 mm)	29 ft 0 in (8 850 mm)	32 ft 0 in (9 750 mm)
E. Dump height	25 ft 7 in (7 810 mm)	26 ft 7 in (8 090 mm)	26 ft 7 in (8 110 mm)	27 ft 7 in (8 400 mm)
F. Maximum reach height	38 ft 2 in (11 630 mm)	39 ft 8 in (12 100 mm)	39 ft 3 in (11 970 mm)	40 ft 3 in (12 280 mm)
G. Bucket rotation	175°	175°	175°	175°
H. Maximum vertical wall dig depth	21 ft 3 in (6 480 mm)	22 ft 6 in (6 850 mm)	23 ft 11 in (7 280 mm)	27 ft 0 in (8 230 mm)
J. Minimum swing radius	19 ft 1 in (5 810 mm)	19 ft 2 in (5 830 mm)	18 ft 10 in (5 730 mm)	18 ft 9 in (5 710 mm)
Arm digging force:				
Standard	58,230 lb (259 kN)	64,970 lb (289 kN)	52,380 lb (233 kN)	45,410 lb (202 kN)
Power Boost	63,620 lb (283 kN)	71,040 lb (316 kN)	57,100 lb (254 kN)	49,460 lb (220 kN)
Bucket digging force:				
Standard	68,790 lb (306 kN)	68,790 lb (306 kN)	69,020 lb (307 kN)	69,020 lb (307 kN)
Power Boost	75,090 lb (334 kN)	75,090 lb (334 kN)	75,310 lb (335 kN)	75,310 lb (335 kN)

LIFT CAPACITIES

CX750D – 25 ft 3 in (7.70 m) Boom and 11 ft 8 in (3.55 m) Arm Lift capacities using a bucket weighing 6,440 lb (2 920 kg) and 23,030 lb (10 450 kg) counterweight.

Load (Lift Point Height)	MINIMUM REACH			5 ft (1.5 m)		10 ft (3 m)		15 ft (4.5 m)		20 ft (6 m)	
	@	END	SIDE	END	SIDE	END	SIDE	END	SIDE	END	SIDE
+35 ft (10.5 m)	31 ft 11 in (9.72 m)	18,409 lb* (8 350 kg)*	18,409 lb* (8 350 kg)*								
+30 ft (9 m)	29 ft 3 in (8.85 m)	18,350 lb* (9 000 kg)*	18,350 lb* (9 000 kg)*								
+25 ft (7.5 m)	28 ft 4 in (8.59 m)	25,450 lb* (11 600 kg)*	25,450 lb* (11 600 kg)*								
+20 ft (6 m)	24 ft 2 in (7.18 m)	16,800 lb* (7 600 kg)*	16,800 lb* (7 600 kg)*								
+15 ft (4.5 m)	11 ft 10 in (3.64 m)	32,850 lb* (14 620 kg)*	32,850 lb* (14 620 kg)*					37,600 lb* (21 170 kg)*	37,600 lb* (21 170 kg)*	42,600 lb* (19 830 kg)*	42,600 lb* (19 830 kg)*
+10 ft (3 m)	13 ft 6 in (4.13 m)	29,100 lb* (13 710 kg)*	29,100 lb* (13 710 kg)*					66,600 lb* (27 110 kg)*	66,600 lb* (27 110 kg)*	49,300 lb* (22 720 kg)*	47,800 lb* (22 220 kg)
+5 ft (1.5 m)	13 ft 2 in (4.00 m)	23,100 lb* (10 420 kg)*	23,100 lb* (10 420 kg)*					40,800 lb* (17 360 kg)*	40,800 lb* (17 360 kg)*	54,200 lb* (24 990 kg)*	45,150 lb (20 980 kg)
Groundline	10 ft 6 in (3.19 m)	19,900 lb* (9 000 kg)*	19,900 lb* (9 000 kg)*					43,600 lb* (18 990 kg)*	43,600 lb* (18 990 kg)*	55,500 lb* (25 650 kg)*	43,250 lb (20 110 kg)
-5 ft (-1.5 m)	4 ft 4 in (1.34 m)	18,500 lb* (8 430 kg)*	18,500 lb* (8 430 kg)*	24,500 lb* (10 710 kg)*	24,500 lb* (10 710 kg)*	35,150 lb* (16 160 kg)*	35,150 lb* (16 160 kg)*	53,800 lb* (23 580 kg)*	53,800 lb* (23 580 kg)*	54,750 lb* (25 310 kg)*	42,800 lb (19 930 kg)
-10 ft (-3 m)	3 ft 9 in (1.14 m)	29,500 lb* (13 280 kg)*	29,500 lb* (13 280 kg)*	40,850 lb* (18 550 kg)*	40,850 lb* (18 550 kg)*	46,300 lb* (20 630 kg)*	46,300 lb* (20 630 kg)*	69,150 lb* (30 650 kg)*	68,450 lb (30 650 kg)*	52,300 lb* (24 180 kg)*	43,100 lb (20 070 kg)
-15 ft (-4.5 m)	4 ft 11 in (1.48 m)	46,250 lb* (20 510 kg)*	46,250 lb* (20 510 kg)*	48,000 lb* (21 540 kg)*	48,000 lb* (21 540 kg)*	63,150 lb* (27 970 kg)*	63,150 lb* (27 970 kg)*	61,450 lb* (28 470 kg)*	61,450 lb* (28 470 kg)*	47,050 lb* (21 840 kg)*	43,600 lb (20 290 kg)
-20 ft (-6 m)	8 ft 5 in (2.46 m)	70,150 lb* (33 340 kg)*	70,150 lb* (33 340 kg)*			63,600 lb* (29 800 kg)*	63,600 lb* (29 800 kg)*	48,700 lb* (22 810 kg)*	48,700 lb* (22 810 kg)*	37,700 lb* (17 730 kg)*	37,700 lb* (17 730 kg)*

Load (Lift Point Height)	25 ft (7.5 m)		30 ft (9 m)		35 ft (10.5 m)		40 ft (12 m)		MAXIMUM REACH		
	END	SIDE	END	SIDE	END	SIDE	END	SIDE	@	END	SIDE
+35 ft (10.5 m)									32 ft 1 in (9.78 m)	18,365 lb* (8 330 kg)*	18,365 lb* (8 330 kg)*
+30 ft (9 m)			18,300 lb* (8 670 kg)*	18,300 lb* (8 670 kg)*	19,250 lb* (9 520 kg)*	19,250 lb* (9 520 kg)*			35 ft 7 in (10.93 m)	17,650 lb* (7 990 kg)*	17,650 lb* (7 990 kg)*
+25 ft (7.5 m)			24,950 lb* (11 400 kg)*	24,950 lb* (11 400 kg)*	22,000 lb* (10 180 kg)*	20,650 lb (9 670 kg)			38 ft 4 in (11.72 m)	17,450 lb* (7 910 kg)*	16,800 lb (7 540 kg)
+20 ft (6 m)	23,050 lb* (10 700 kg)*	23,050 lb* (10 700 kg)*	26,200 lb* (12 040 kg)*	26,100 lb (12 040 kg)	23,750 lb* (11 060 kg)*	20,050 lb (9 380 kg)	18,050 lb* (9 410 kg)*	14,950 lb (7 030 kg)	40 ft 1 in (12.25 m)	17,650 lb* (8 020 kg)*	14,800 lb (6 680 kg)
+15 ft (4.5 m)	33,800 lb* (15 670 kg)*	33,800 lb* (15 670 kg)*	28,500 lb* (13 160 kg)*	25,800 lb (12 030 kg)	25,150 lb* (11 540 kg)*	19,300 lb (9 020 kg)	22,100 lb* (10 180 kg)*	14,600 lb (6 850 kg)	41 ft 1 in (12.53 m)	18,250 lb* (8 290 kg)*	13,650 lb (6 170 kg)
+10 ft (3 m)	37,900 lb* (17 570 kg)*	33,500 lb (15 570 kg)	30,950 lb* (14 310 kg)*	24,500 lb (11 420 kg)	26,350 lb* (12 170 kg)*	18,500 lb (8 640 kg)	21,800 lb (10 190 kg)	14,150 lb (6 630 kg)	41 ft 5 in (12.61 m)	19,200 lb* (8 710 kg)*	13,100 lb (5 940 kg)
+5 ft (1.5 m)	40,950 lb* (18 960 kg)*	31,650 lb (14 710 kg)	32,850 lb* (15 190 kg)*	23,350 lb (10 880 kg)	27,050 lb (12 580 kg)	17,800 lb (8 300 kg)	21,400 lb (9 990 kg)	13,750 lb (6 440 kg)	41 ft 0 in (12.5 m)	20,450 lb (9 270 kg)	13,050 lb (5 920 kg)
Groundline	42,350 lb* (19 580 kg)*	30,300 lb (14 090 kg)	33,750 lb* (15 610 kg)*	22,500 lb (10 470 kg)	26,500 lb (12 350 kg)	17,250 lb (8 040 kg)	(9 860 kg)	(6 320 kg)	40 ft 0 in (12.19 m)	21,150 lb (9 600 kg)	13,550 lb (6 140 kg)
-5 ft (-1.5 m)	42,050 lb* (19 450 kg)*	29,700 lb (13 830 kg)	33,450 lb* (15 500 kg)*	22,050 lb (10 270 kg)	26,300 lb (12 230 kg)	17,050 lb (7 940 kg)			38 ft 3 in (11.67 m)	22,800 lb (10 320 kg)	14,650 lb (6 630 kg)
-10 ft (-3 m)	40,550 lb* (18 780 kg)*	29,850 lb (13 880 kg)	32,050 lb* (14 890 kg)*	22,200 lb (10 330 kg)	24,750 lb* (11 660 kg)*	17,400 lb (8 100 kg)			35 ft 8 in (10.91 m)	23,100 lb* (10 460 kg)*	16,650 lb (7 510 kg)
-15 ft (-4.5 m)	36,550 lb* (17 030 kg)*	30,500 lb (14 180 kg)	27,850 lb* (13 130 kg)*	22,950 lb (10 670 kg)					32 ft 3 in (9.88 m)	22,800 lb* (10 370 kg)*	20,150 lb (9 040 kg)
-20 ft (-6 m)	28,100 lb* (13 430 kg)*	28,100 lb* (13 430 kg)*							27 ft 5 in (8.48 m)	21,550 lb* (9 780 kg)*	21,550 lb* (9 780 kg)*

NOTE: *Lift capacities marked with an asterisk (*) are limited by 87% hydraulic capacity and 75% tipping capacity.

LIFT CAPACITIES

CX750D – 25 ft 3 in (7.70 m) Boom and 9 ft 11 in (3.02 m) Arm Lift capacities using a bucket weighing 6,440 lb (2 920 kg) and 23,030 lb (10 450 kg) counterweight.

Load (Lift Point Height)	MINIMUM REACH			0 ft (0 m)		10 ft (3 m)		15 ft (4.5 m)		20 ft (6 m)	
	@	END	SIDE	END	SIDE	END	SIDE	END	SIDE	END	SIDE
+35 ft (10.5 m)	29 ft 7 in (8.99 m)	23,100 lb* (9 470 kg)*	23,100 lb* (9 470 kg)*								
+30 ft (9 m)	27 ft 6 in (8.39 m)	17,350 lb* (8 390 kg)*	17,350 lb* (8 390 kg)*								
+25 ft (7.5 m)	26 ft 8 in (8.08 m)	27,700 lb* (12 640 kg)*	27,700 lb* (12 640 kg)*								
+20 ft (6 m)	21 ft 7 in (6.55 m)	24,350 lb* (12 460 kg)*	24,350 lb* (12 460 kg)*								
+15 ft (4.5 m)	14 ft 7 in (4.48 m)	26,600 lb* (12 420 kg)*	26,600 lb* (12 420 kg)*					58,850 lb* (16 370 kg)*	58,850 lb* (16 370 kg)*	42,850 lb* (19 880 kg)*	42,850 lb* (19 880 kg)*
+10 ft (3 m)	16 ft 0 in (4.88 m)	25,950 lb* (11 500 kg)*	25,950 lb* (11 500 kg)*							48,650 lb* (22 510 kg)*	47,000 lb (21 810 kg)
+5 ft (1.5 m)	15 ft 8 in (4.77 m)	26,500 lb* (12 290 kg)*	26,500 lb* (12 290 kg)*							53,250 lb* (24 610 kg)*	44,150 lb (20 510 kg)
Groundline	13 ft 6 in (4.13 m)	26,200 lb* (11 870 kg)*	26,200 lb* (11 870 kg)*					34,900 lb* (15 190 kg)*	34,900 lb* (15 190 kg)*	55,150 lb* (25 450 kg)*	42,650 lb (19 850 kg)
-5 ft (-1.5 m)	8 ft 3 in (2.55 m)	24,600 lb* (11 190 kg)*	24,600 lb* (11 190 kg)*			31,400 lb* (13 870 kg)*	31,400 lb* (13 870 kg)*	48,350 lb* (21 200 kg)*	48,350 lb* (21 200 kg)*	53,950 lb* (24 920 kg)*	42,700 lb (19 900 kg)
-10 ft (-3 m)	5 ft 6 in (1.68 m)	27,250 lb* (12 270 kg)*	27,250 lb* (12 270 kg)*			45,150 lb* (20 090 kg)*	45,150 lb* (20 090 kg)*	65,700 lb* (29 790 kg)*	65,700 lb* (29 790 kg)*	50,550 lb* (23 380 kg)*	43,250 lb (20 130 kg)
-15 ft (-4.5 m)	6 ft 10 in (2.06 m)	50,700 lb* (22 300 kg)*	50,700 lb* (22 300 kg)*			65,200 lb* (28 740 kg)*	65,200 lb* (28 740 kg)*	56,600 lb* (26 240 kg)*	56,600 lb* (26 240 kg)*	44,150 lb* (20 520 kg)*	43,200 lb (20 100 kg)
-20 ft (-6 m)	11 ft 1 in (3.26 m)	49,550 lb* (23 550 kg)*	49,550 lb* (23 550 kg)*					42,000 lb* (19 770 kg)*	42,000 lb* (19 770 kg)*	32,750 lb* (15 560 kg)*	32,750 lb* (15 560 kg)*

Load (Lift Point Height)	25 ft (7.5 m)		30 ft (9 m)		35 ft (10.5 m)		40 ft (12 m)		MAXIMUM REACH		
	END	SIDE	END	SIDE	END	SIDE	END	SIDE	@	END	SIDE
+35 ft (10.5 m)			23,750 lb* (9 530 kg)*	23,750 lb* (9 530 kg)*					30 ft 3 in (9.39 m)	22,800 lb* (10 250 kg)*	22,800 lb* (10 250 kg)*
+30 ft (9 m)			23,850 lb* (9 970 kg)*	23,850 lb* (9 970 kg)*	(10 280 kg)*	(9 510 kg)			34 ft 5 in (10.6 m)	21,450 lb* (9 670 kg)*	20,950 lb (9 310 kg)
+25 ft (7.5 m)			26,250 lb* (12 080 kg)*	26,250 lb* (12 080 kg)*	23,550 lb* (10 780 kg)*	20,150 lb (9 450 kg)			37 ft 3 in (11.4 m)	20,800 lb* (9 420 kg)*	17,400 lb (7 800 kg)
+20 ft (6 m)	31,000 lb* (14 300 kg)*	31,000 lb* (14 300 kg)*	27,500 lb* (12 640 kg)*	26,450 lb (12 270 kg)*	24,750 lb* (11 530 kg)*	19,650 lb (9 190 kg)			39 ft 1 in (12.0 m)	20,700 lb* (9 400 kg)*	15,300 lb (6 900 kg)
+15 ft (4.5 m)	35,300 lb* (16 360 kg)*	34,500 lb (16 010 kg)	29,500 lb* (13 630 kg)*	25,300 lb (11 790 kg)	26,100 lb* (11 970 kg)*	18,950 lb (8 850 kg)	21,950 lb (10 280 kg)	14,300 lb (6 720 kg)	40 ft 2 in (12.3 m)	21,100 lb* (9 570 kg)*	14,150 lb (6 390 kg)
+10 ft (3 m)	39,050 lb* (18 100 kg)*	32,750 lb (15 230 kg)	31,700 lb* (14 650 kg)*	24,050 lb (11 210 kg)	26,900 lb* (12 410 kg)*	18,200 lb (8 500 kg)	21,600 lb (10 090 kg)	13,950 lb (6 540 kg)	40 ft 5 in (12.3 m)	21,150 lb (9 580 kg)	13,600 lb (6 160 kg)
+5 ft (1.5 m)	41,550 lb* (19 240 kg)*	31,050 lb (14 440 kg)	33,250 lb* (15 380 kg)*	23,000 lb (10 710 kg)	26,850 lb (12 510 kg)	17,550 lb (8 190 kg)	21,300 lb (9 940 kg)	13,650 lb (6 390 kg)	40 ft 1 in (12.2 m)	21,250 lb (9 630 kg)	13,600 lb (6 180 kg)
Groundline	42,300 lb* (19 550 kg)*	29,900 lb (13 910 kg)	33,700 lb* (15 600 kg)*	22,250 lb (10 360 kg)	26,400 lb (12 290 kg)	17,100 lb (7 980 kg)			39 ft 0 in (11.9 m)	22,100 lb (10 030 kg)	14,200 lb (6 440 kg)
-5 ft (-1.5 m)	41,700 lb* (19 280 kg)*	29,600 lb (13 780 kg)	33,150 lb* (15 360 kg)*	22,000 lb (10 250 kg)	26,250 lb (12 230 kg)*	17,150 lb (7 980 kg)			37 ft 3 in (11.4 m)	22,900 lb* (10 390 kg)*	15,500 lb (7 010 kg)
-10 ft (-3 m)	39,450 lb* (18 290 kg)*	29,900 lb (13 920 kg)	30,950 lb* (14 420 kg)*	22,400 lb (10 400 kg)					34 ft 7 in (10.6 m)	22,450 lb* (10 150 kg)*	17,800 lb (8 010 kg)
-15 ft (-4.5 m)	34,250 lb* (16 020 kg)*	30,550 lb (14 220 kg)	24,700 lb* (11 870 kg)*	22,900 lb (10 670 kg)					31 ft 0 in (9.51 m)	21,300 lb* (9 640 kg)*	21,300 lb* (9 640 kg)*
-20 ft (-6 m)	22,600 lb* (11 190 kg)*	22,600 lb* (11 190 kg)*							26 ft 0 in (8.05 m)	18,200 lb* (8 350 kg)*	18,200 lb* (8 350 kg)*

NOTE: *Lift capacities marked with an asterisk (*) are limited by 87% hydraulic capacity and 75% tipping capacity.

LIFT CAPACITIES

CX750D – 25 ft 3 in (7.70 m) Boom and 13 ft 6 in (4.11 m) Arm Lift capacities using a bucket weighing 6,440 lb (2 920 kg) and 23,030 lb (10 450 kg) counterweight.

Load (Lift Point Height)	MINIMUM REACH			0 ft (0 m)		5 ft (1.5 m)		10 ft (3 m)		15 ft (4.5 m)	
	@	END	SIDE	END	SIDE	END	SIDE	END	SIDE	END	SIDE
+35 ft (10.5 m)	33 ft 6 in (10.17 m)	15,450 lb* (7 080 kg)*	15,450 lb* (7 080 kg)*								
+30 ft (9 m)	30 ft 10 in (9.38 m)	19,150 lb* (9 200 kg)*	19,150 lb* (9 200 kg)*								
+25 ft (7.5 m)	30 ft 2 in (9.16 m)	23,100 lb* (10 520 kg)*	23,100 lb* (10 520 kg)*								
+20 ft (6 m)	27 ft 9 in (8.39 m)	25,650 lb* (11 760 kg)*	25,650 lb* (11 760 kg)*								
+15 ft (4.5 m)	19 ft 1 in (5.77 m)	36,850 lb* (18 020 kg)*	36,850 lb* (18 020 kg)*								
+10 ft (3 m)	12 ft 6 in (3.81 m)	25,750 lb* (11 510 kg)*	25,750 lb* (11 510 kg)*							62,000 lb* (28 870 kg)*	62,000 lb* (28 870 kg)*
+5 ft (1.5 m)	12 ft 1 in (3.68 m)	19,700 lb* (8 910 kg)*	19,700 lb* (8 910 kg)*							47,300 lb* (20 020 kg)*	47,300 lb* (20 020 kg)*
Groundline	9 ft 1 in (2.77 m)	15,650 lb* (7 080 kg)*	15,650 lb* (7 080 kg)*					18,900 lb* (8 320 kg)*	18,900 lb* (8 320 kg)*	43,750 lb* (19 040 kg)*	43,750 lb* (19 040 kg)*
-5 ft (-1.5 m)	2 ft 5 in (0.74 m)	13,950 lb* (6 370 kg)*	13,950 lb* (6 370 kg)*			22,250 lb* (9 970 kg)*	22,250 lb* (9 970 kg)*	31,000 lb* (13 920 kg)*	31,000 lb* (13 920 kg)*	50,750 lb* (22 250 kg)*	50,750 lb* (22 250 kg)*
-10 ft (-3 m)	1 ft 11 in (0.58 m)	23,900 lb* (10 670 kg)*	23,900 lb* (10 670 kg)*			35,300 lb* (16 040 kg)*	35,300 lb* (16 040 kg)*	41,300 lb* (18 350 kg)*	41,300 lb* (18 350 kg)*	63,550 lb* (27 890 kg)*	63,550 lb* (27 890 kg)*
-15 ft (-4.5 m)	3 ft 0 in (0.88 m)	36,900 lb* (16 310 kg)*	36,900 lb* (16 310 kg)*			44,200 lb* (19 740 kg)*	44,200 lb* (19 740 kg)*	55,350 lb* (24 540 kg)*	55,350 lb* (24 540 kg)*	65,450 lb* (30 320 kg)*	65,450 lb* (30 320 kg)*
-20 ft (-6 m)	5 ft 10 in (1.71 m)	58,450 lb* (25 550 kg)*	58,450 lb* (25 550 kg)*					74,200 lb* (33 460 kg)*	74,200 lb* (33 460 kg)*	54,500 lb* (25 450 kg)*	54,500 lb* (25 450 kg)*
-25 ft (-7.5 m)	12 ft 11 in (3.64 m)	41,300 lb* (20 610 kg)*	41,300 lb* (20 610 kg)*							37,100 lb* (17 820 kg)*	37,100 lb* (17 820 kg)*

Load (Lift Point Height)	20 ft (6 m)		25 ft (7.5 m)		30 ft (9 m)		35 ft (10.5 m)		40 ft (12 m)		MAXIMUM REACH		
	END	SIDE	END	SIDE	END	SIDE	END	SIDE	END	SIDE	@	END	SIDE
+35 ft (10.5 m)							7 000 kg*	7 000 kg*			34 ft 1 in (10.5 m)	15,300 lb* (6 890 kg)*	15,300 lb* (6 890 kg)*
+30 ft (9 m)							18,900 lb* (8 810 kg)*	18,900 lb* (8 810 kg)*			37 ft 9 in (11.6 m)	14,600 lb* (6 590 kg)*	14,600 lb* (6 590 kg)*
+25 ft (7.5 m)							20,600 lb* (9 620 kg)*	20,600 lb* (9 620 kg)*	15,350 lb* (7 830 kg)*	15,350 lb* (7 830 kg)*	40 ft 4 in (12.3 m)	14,350 lb* (6 510 kg)*	14,350 lb* (6 510 kg)*
+20 ft (6 m)					24,600 lb* (11 300 kg)*	24,600 lb* (11 300 kg)*	22,850 lb* (10 460 kg)*	20,400 lb* (9 540 kg)	19,550 lb* (9 290 kg)*	15,250 lb* (7 170 kg)	42 ft 0 in (12.8 m)	14,450 lb* (6 570 kg)*	13,500 lb* (6 080 kg)
+15 ft (4.5 m)	38,050 lb* (18 370 kg)*	38,050 lb* (18 370 kg)*	32,000 lb* (14 840 kg)*	32,000 lb* (14 840 kg)*	27,200 lb* (12 580 kg)*	26,150 lb* (12 160 kg)	23,900 lb* (10 990 kg)*	19,600 lb* (9 160 kg)	21,200 lb* (9 770 kg)*	14,800 lb* (6 950 kg)	42 ft 11 in (13.1 m)	14,950 lb* (6 780 kg)*	12,450 lb* (5 640 kg)
+10 ft (3 m)	47,300 lb* (21 990 kg)*	47,300 lb* (21 990 kg)*	36,400 lb* (16 860 kg)*	34,150 lb* (15 860 kg)	29,850 lb* (13 810 kg)*	24,900 lb* (11 600 kg)	25,550 lb* (11 800 kg)*	18,750 lb* (8 750 kg)	21,950 lb* (10 210 kg)*	14,300 lb* (6 700 kg)	43 ft 3 in (13.2 m)	15,650 lb* (7 110 kg)*	11,950 lb* (5 430 kg)
+5 ft (1.5 m)	52,850 lb* (24 510 kg)*	46,050 lb* (21 400 kg)	39,900 lb* (18 460 kg)*	32,100 lb* (14 930 kg)	32,050 lb* (14 830 kg)*	23,600 lb* (11 000 kg)	26,850 lb* (12 410 kg)*	17,900 lb* (8 370 kg)	21,450 lb* (10 020 kg)	13,800 lb* (6 470 kg)	42 ft 11 in (13.1 m)	16,750 lb* (7 600 kg)*	11,900 lb* (5 400 kg)
Groundline	55,250 lb* (25 550 kg)*	43,650 lb* (20 320 kg)	41,900 lb* (19 380 kg)*	30,550 lb* (14 220 kg)	33,400 lb* (15 450 kg)*	22,600 lb* (10 530 kg)	26,550 lb* (12 380 kg)	17,250 lb* (8 060 kg)	21,100 lb* (9 830 kg)	13,450 lb* (6 290 kg)	41 ft 11 in (12.8 m)	18,350 lb* (8 320 kg)*	12,300 lb* (5 580 kg)
-5 ft (-1.5 m)	55,000 lb* (25 420 kg)*	42,700 lb* (19 880 kg)	42,100 lb* (19 470 kg)*	29,650 lb* (13 800 kg)	33,450 lb* (15 500 kg)*	22,000 lb* (10 240 kg)	26,150 lb* (12 180 kg)	16,900 lb* (7 880 kg)	21,000 lb* (9 780 kg)	13,400 lb* (6 240 kg)	40 ft 3 in (12.3 m)	20,700 lb* (9 380 kg)*	13,200 lb* (5 980 kg)
-10 ft (-3 m)	53,400 lb* (24 690 kg)*	42,750 lb* (19 920 kg)	41,150 lb* (19 050 kg)*	29,600 lb* (13 780 kg)	32,600 lb* (15 130 kg)*	21,950 lb* (10 220 kg)	25,950 lb* (12 100 kg)*	17,050 lb* (7 930 kg)			37 ft 10 in (11.6 m)	21,700 lb* (9 840 kg)*	14,850 lb* (6 700 kg)
-15 ft (-4.5 m)	49,300 lb* (22 860 kg)*	43,400 lb* (20 210 kg)	38,200 lb* (17 760 kg)*	30,100 lb* (13 990 kg)	29,750 lb* (13 910 kg)*	22,500 lb* (10 440 kg)	(10 340 kg)*	(8 120 kg)			34 ft 7 in (10.6 m)	21,700 lb* (9 810 kg)*	17,650 lb* (7 920 kg)
-20 ft (-6 m)	41,650 lb* (19 500 kg)*	41,650 lb* (19 500 kg)*	31,800 lb* (15 000 kg)*	30,300 lb* (14 120 kg)	22,050 lb* (10 890 kg)*	22,050 lb* (10 540 kg)					30 ft 2 in (9.29 m)	21,050 lb* (9 540 kg)*	21,050 lb* (9 540 kg)*
-25 ft (-7.5 m)	27,800 lb* (13 540 kg)*	27,800 lb* (13 540 kg)*	(8 550 kg)*	(8 550 kg)*							24 ft 1 in (7.51 m)	18,050 lb* (8 370 kg)*	18,050 lb* (8 370 kg)*

NOTE: *Lift capacities marked with an asterisk (*) are limited by 87% hydraulic capacity and 75% tipping capacity.

LIFT CAPACITIES

CX750D – 25 ft 3 in (7.70 m) Boom and 16 ft 5 in (5.00 m) Arm Lift capacities using a bucket weighing 6,440 lb (2 920 kg) and 23,030 lb (10 450 kg) counterweight.

Load (Lift Point Height)	MINIMUM REACH			0 ft (0 m)		5 ft (1.5 m)		10 ft (3 m)		15 ft (4.5 m)		20 ft (6 m)	
	@	END	SIDE	END	SIDE	END	SIDE	END	SIDE	END	SIDE	END	SIDE
+35 ft (10.5 m)	36 ft 0 in (10.9 m)	12,000 lb* (5 530 kg)*	12,000 lb* (5 530 kg)*										
+30 ft (9 m)	33 ft 8 in (10.3 m)	16,050 lb* (7 460 kg)*	16,050 lb* (7 460 kg)*										
+25 ft (7.5 m)	33 ft 2 in (10.1 m)	19,600 lb* (8 920 kg)*	19,600 lb* (8 920 kg)*										
+20 ft (6 m)	31 ft 3 in (9.46 m)	21,200 lb* (9 690 kg)*	21,200 lb* (9 690 kg)*										
+15 ft (4.5 m)	24 ft 5 in (7.26 m)	17,900 lb* (8 040 kg)*	17,900 lb* (8 040 kg)*										
+10 ft (3 m)	11 ft 0 in (3.36 m)	21,200 lb* (9 490 kg)*	21,200 lb* (9 490 kg)*							44,800 lb* (23 820 kg)*	44,800 lb* (23 820 kg)*	42,450 lb* (19 710 kg)*	42,450 lb* (19 710 kg)*
+5 ft (1.5 m)	10 ft 6 in (3.2 m)	17,500 lb* (7 870 kg)*	17,500 lb* (7 870 kg)*							65,450 lb* (30 240 kg)*	65,450 lb* (30 240 kg)*	49,250 lb* (22 820 kg)*	47,000 lb* (21 840 kg)*
Groundline	6 ft 9 in (2.07 m)	11,300 lb* (5 140 kg)*	11,300 lb* (5 140 kg)*					19,900 lb* (8 760 kg)*	19,900 lb* (8 760 kg)*	48,950 lb* (21 170 kg)*	48,950 lb* (21 170 kg)*	53,350 lb* (24 700 kg)*	44,250 lb* (20 600 kg)
-5 ft (-1.5 m)	0 ft 0 in (0.00 m)	14,850 lb* (6 670 kg)*	14,850 lb* (6 670 kg)*	14,850 lb* (6 670 kg)*	14,850 lb* (6 670 kg)*	19,400 lb* (8 690 kg)*	19,400 lb* (8 690 kg)*	28,000 lb* (12 480 kg)*	28,000 lb* (12 480 kg)*	49,900 lb* (21 840 kg)*	49,900 lb* (21 840 kg)*	54,600 lb* (25 240 kg)*	42,400 lb* (19 760 kg)
-10 ft (-3 m)	0 ft 0 in (0.00 m)	24,550 lb* (11 030 kg)*	24,550 lb* (11 030 kg)*	24,550 lb* (11 030 kg)*	24,550 lb* (11 030 kg)*	30,050 lb* (13 430 kg)*	30,050 lb* (13 430 kg)*	36,450 lb* (16 220 kg)*	36,450 lb* (16 220 kg)*	58,250 lb* (25 550 kg)*	58,250 lb* (25 550 kg)*	53,850 lb* (24 890 kg)*	42,050 lb* (19 580 kg)
-15 ft (-4.5 m)	0 ft 0 in (0.00 m)	29,150 lb* (13 270 kg)*	29,150 lb* (13 270 kg)*	29,150 lb* (13 270 kg)*	29,150 lb* (13 270 kg)*	37,200 lb* (16 640 kg)*	37,200 lb* (16 640 kg)*	47,500 lb* (21 060 kg)*	47,500 lb* (21 060 kg)*	69,500 lb* (31 780 kg)*	67,850 lb* (31 390 kg)	51,350 lb* (23 780 kg)*	42,350 lb* (19 720 kg)
-20 ft (-6 m)	2 ft 3 in (0.62 m)	40,750 lb* (17 910 kg)*	40,750 lb* (17 910 kg)*			48,350 lb* (21 510 kg)*	48,350 lb* (21 510 kg)*	66,550 lb* (29 180 kg)*	66,550 lb* (29 180 kg)*	61,400 lb* (28 580 kg)*	61,400 lb* (28 580 kg)*	45,950 lb* (21 400 kg)*	42,850 lb* (19 950 kg)
-25 ft (-7.5 m)	6 ft 11 in (1.96 m)	69,100 lb* (29 680 kg)*	69,100 lb* (29 680 kg)*					66,450 lb* (31 440 kg)*	66,450 lb* (31 440 kg)*	48,050 lb* (22 690 kg)*	48,050 lb* (22 690 kg)*	36,200 lb* (17 160 kg)*	36,200 lb* (17 160 kg)*

Load (Lift Point Height)	25 ft (7.5 m)		30 ft (9 m)		35 ft (10.5 m)		40 ft (12 m)		45 ft (13.5 m)		MAXIMUM REACH		
	END	SIDE	END	SIDE	END	SIDE	END	SIDE	END	SIDE	@	END	SIDE
+35 ft (10.5 m)											37 ft 7 in (11.6 m)	11,450 lb* (5 160 kg)*	11,450 lb* (5 160 kg)*
+30 ft (9 m)					15,300 lb* (7 220 kg)*	15,300 lb* (7 220 kg)*	12,600 lb* (6 220 kg)*	12,600 lb* (6 220 kg)*			40 ft 10 in (12.5 m)	10,950 lb* (4 940 kg)*	10,950 lb* (4 940 kg)*
+25 ft (7.5 m)					18,000 lb* (8 520 kg)*	18,000 lb* (8 520 kg)*	15,250 lb* (7 140 kg)*	15,250 lb* (7 140 kg)*			43 ft 3 in (13.2 m)	10,750 lb* (4 870 kg)*	10,750 lb* (4 870 kg)*
+20 ft (6 m)					20,250 lb* (9 280 kg)*	19,950 lb (9 250 kg)	17,150 lb* (7 970 kg)*	15,500 lb (7 290 kg)	(5 600 kg)*	(5 420 kg)	44 ft 9 in (13.7 m)	10,850 lb* (4 920 kg)*	10,850 lb* (4 920 kg)*
+15 ft (4.5 m)	20,950 lb* (9 850 kg)*	20,950 lb* (9 850 kg)*	23,850 lb* (11 000 kg)*	23,850 lb* (11 000 kg)*	21,550 lb* (9 960 kg)*	19,900 lb (9 300 kg)	19,400 lb* (8 930 kg)*	14,950 lb (7 020 kg)	13,100 lb* (6 700 kg)*	11,200 lb (5 290 kg)	45 ft 8 in (13.9 m)	11,200 lb* (5 080 kg)*	10,700 lb (4 840 kg)
+10 ft (3 m)	33,300 lb* (15 440 kg)*	33,300 lb* (15 440 kg)*	27,650 lb* (12 790 kg)*	25,350 lb (11 810 kg)	23,750 lb* (10 990 kg)*	18,900 lb (8 840 kg)	20,700 lb* (9 560 kg)*	14,300 lb (6 720 kg)	14,600 lb* (7 410 kg)*	10,850 lb (5 110 kg)	45 ft 11 in (14.0 m)	11,750 lb* (5 340 kg)*	10,250 lb (4 650 kg)
+5 ft (1.5 m)	37,400 lb* (17 330 kg)*	32,700 lb (15 220 kg)	30,250 lb* (14 000 kg)*	23,900 lb (11 130 kg)	25,450 lb* (11 750 kg)*	17,950 lb (8 390 kg)	21,400 lb* (9 960 kg)	13,700 lb (6 430 kg)	14,800 lb* (7 670 kg)*	10,500 lb (4 950 kg)	45 ft 7 in (13.9 m)	12,600 lb* (5 720 kg)*	10,150 lb (4 610 kg)
Groundline	40,300 lb* (18 650 kg)*	30,800 lb (14 330 kg)	32,150 lb* (14 870 kg)*	22,650 lb (10 550 kg)	26,350 lb (12 260 kg)	17,150 lb (8 010 kg)	20,850 lb (9 740 kg)	13,200 lb (6 180 kg)	(7 020 kg)*	(4 820 kg)	44 ft 8 in (13.6 m)	13,850 lb* (6 270 kg)*	10,450 lb (4 730 kg)
-5 ft (-1.5 m)	41,500 lb* (19 210 kg)*	29,450 lb (13 730 kg)	32,950 lb* (15 250 kg)*	21,750 lb (10 130 kg)	25,850 lb (12 050 kg)	16,550 lb (8 010 kg)	20,500 lb (9 570 kg)	12,850 lb (6 020 kg)			43 ft 2 in (13.2 m)	15,600 lb* (7 060 kg)*	11,100 lb (5 030 kg)
-10 ft (-3 m)	41,100 lb* (19 030 kg)*	29,000 lb (13 510 kg)	32,550 lb* (15 100 kg)*	21,400 lb (9 970 kg)	25,650 lb (11 940 kg)	16,400 lb (7 640 kg)	20,500 lb (9 550 kg)	12,950 lb (6 030 kg)			40 ft 11 in (12.5 m)	18,200 lb* (8 220 kg)*	12,350 lb (5 580 kg)
-15 ft (-4.5 m)	39,450 lb* (18 320 kg)*	29,200 lb (13 590 kg)	31,050 lb* (14 460 kg)*	21,600 lb (10 050 kg)	24,300 lb* (11 410 kg)*	16,750 lb (7 790 kg)					37 ft 11 in (11.6 m)	19,900 lb* (9 000 kg)*	14,400 lb (6 470 kg)
-20 ft (-6 m)	35,300 lb* (16 510 kg)*	29,950 lb (13 920 kg)	26,950 lb* (12 740 kg)*	22,300 lb (10 390 kg)							33 ft 11 in (10.4 m)	19,800 lb* (8 990 kg)*	17,900 lb* (8 990 kg)
-25 ft (-7.5 m)	26,700 lb* (12 870 kg)*	26,700 lb* (12 870 kg)*									28 ft 7 in (8.86 m)	18,800 lb* (8 600 kg)*	18,800 lb* (8 600 kg)*

NOTE: *Lift capacities marked with an asterisk (*) are limited by 87% hydraulic capacity and 75% tipping capacity.

STANDARD EQUIPMENT

ENGINE

Isuzu AQ-6WG1X
Tier 4 Final Certified
Selective Catalytic Reduction – SCR
Diesel Oxidation Catalyst – DOC
Cooled Exhaust Gas Recirculation – CEGR
EGR Coolers
Six-cylinder turbo-charged diesel
VGT turbocharger
Electronic fuel injection
High pressure common rail system
Neutral safety start
Auto-engine warm up
Glow-plug pre-heat
Fuel Economy Assist System – FEA
Engine Protection Feature – EPF
Dual-stage fuel filtration
Dual element air filter
Remote oil filter
Drain for fuel tank
Remote engine oil drain
500-hour engine oil change interval
24 Volt system
Engine oil sample port
Battery disconnect switch
Air pre-cleaner – Cyclone
High ambient temperature cooling package
Emergency engine stop
External Fuel and DEF gauges
Fan housing
Fuel cooler
Fuel filter restriction indicator
Fuel shut-off valve
Idle start
Radiator, oil cooler,
intercooler – protective screen

FUEL ECONOMY SYSTEMS

Engine Idle/Fuel Economy System:
Auto-idle
One-touch idle
Auto-idle shut-down
BEC – Boom Economy Control
AEC – Auto Economy Control
SWC – Swing Relief Control
SSC – Spool Stroke Control

HYDRAULICS

Auto power boost
Auto swing priority
Arm speed assistance – 2 pump flow
Auxiliary flow control
Auxiliary valve
Boom speed assistance – 2 pump flow
Bucket curl assist
Control levers pre-wired for auxiliary hydraulics
Electronically controlled hydraulic pumps
Holding valve – Boom and Arm
Fire wall
Hydraulic filter restriction indicator
Neutral pump de-stroke
Oil cooler

Power save
Pump stand-by pressure
Auto travel speed change
Selectable work modes
Free swing
Hydraulic oil sample port
Control pattern selector
Pre-set auxiliary pump settings
Auxiliary valve
5,000-hour hydraulic oil change interval
1,000-hour hydraulic filter change interval
SAHR brake

UPPER STRUCTURE

ISO mirrors – 3
Cab ISO-Mounts – fluid and spring
Upper mounted work light – 70 watt
Swivel guard belly pan
Center cover – over main CV
Fuel tank belly pan
Handrail – RH access
ISO guard rails
Lifting eyes for counterweight
Lockable fuel cap, service doors and toolbox

ATTACHMENTS

Boom – 25 ft 4 in (7 700 mm)
Arm options:
11 ft 6 in (3.55 m)
9 ft 9 in (3.02 m)
13 ft 5 in (4.11 m)
16 ft 4 in (5.00 m)
Heavy-duty bucket linkage
Boom mounted work light – 70 watt
Auxiliary pipe brackets
Centralized grease fittings
Attachment cushion valve
Arm and boom regeneration
Bucket anti-clatter device
Chrome pins
Easy Maintenance System (EMS) bushings
Teardrop pin retention keepers

OPERATOR ENVIRONMENT

ROPS protection
FOPS cab top guard – Level 1
Pressurized cab
Face vent
Cab lights – 2
Interior dome light
One-touch lock front window
One piece window – right
Safety glass windows
Gate lock hydraulic activation
Emergency exit and hammer
Clear polycarbonate roof window with sunshade
AC/heat/defrost with auto climate control
LED Color monitor – 7 in (180 mm)
26 selectable languages for monitor
On-board diagnostic system
10 programmable attachments settings on monitor – 5 single flow, 5 dual flow

Seat belt – 3 in (76 mm)
Heated high-back cloth seat with air suspension and 65° tilt adjustment
Sliding seat – 3.54 in (90 mm)
Adjustable armrests
Tilting consoles – 4-position
Sliding cockpit – 3.15 in (80 mm)
Low-effort joystick controls
Controls pre-wired for auxiliary
Single pedal travel
Straight travel
AM/FM radio with antenna, 2 speakers and Bluetooth capabilities
Aux-in port for personal electronics
Radio mute switch – joystick
Rear-view camera
Anti-theft system – start code system
Rubber floor mat
12 Volt electric outlet
24 Volt cigarette lighter
Windshield wiper/washer
Cup holder
Storage compartments
Warm/cool storage compartment
Travel alarm with cancel switch
Ignition keys
One key start & lock-up
Cab filter – external
Cab handrails
Operator's manual

UNDERCARRIAGE

Retractable undercarriage
35.4 in (900 mm) steel shoes,
triple semi-grouser
Full overlap turntable bearing tub
Double track chain guides
Hydraulic track adjustment
Sealed link chain
Steps
Carbody belly pan – swivel guard
X-pattern carbody
Lashing points – tie downs
Extra Filter Kit:
Engine oil filter
Filter wrench
Fuel filters
Grease gun
Green plug oil drain hose for engine oil drain
Hydraulic return filter
Pilot circuit hydraulic filter

TELEMATICS

CASE SiteWatch™ Telematics – includes hardware and a 3-yr Advanced data subscription

OPTIONAL EQUIPMENT

ENGINE

Refueling pump

HYDRAULICS

Auxiliary hydraulics:

Single acting/joystick activated

Double acting/joystick activated – thumb

Multi-function with electronic pressure control/joystick activated with electronic proportional controls

Secondary low-flow/joystick activated

Proportional hydraulic controls

Hose Burst Check Valve – HBCV

Hydraulic CWT Removal Device

ATTACHMENTS

Arm options:

9 ft 9 in (3.02 m)

13 ft 5 in (4.11 m)

16 ft 4 in (5.00 m)

Tools:

Heavy-duty/Extreme-duty/Ditching

Buckets; Hammers; Thumbs;

Compaction plates.

Load holding control

UPPER STRUCTURE

Rubber bumper guard – order through Service Parts

Catwalk – left and right side

UNDERCARRIAGE

Full Length Track Chain Guards

OPERATOR ENVIRONMENT

FOPS cab top guard – Level 2

Front grill guard – 2 x 2 in (50.8 x 50.8 mm) screen mesh

Front rock guard – vertical bars

Two piece/OPG 1

Front rock guard – vertical bars

One piece/OPG 2

Rain deflector – not available with

Front guards

Sun visor

Side-view camera

LED Package:

Includes 1 Side view camera and 6 LED

Lights – 2 front cab mounted, 2 rear

mounted and 1 mounted on each side

Full View Monitors (270 degree aerial view)

CaseCE.com

©2016 CNH Industrial America LLC. All rights reserved. CASE is a trademark registered in the United States and many other countries, owned by or licensed to CNH Industrial N.V., its subsidiaries or affiliates. CNH Industrial Capital is a trademark in the United States and many other countries, owned by or licensed to CNH Industrial N.V., its subsidiaries or affiliates. Printed in U.S.A. Contains 10% post-consumer fiber.

IMPORTANT: CASE Construction Equipment Inc. reserves the right to change these specifications without notice and without incurring any obligation relating to such change. Availability of some models and equipment builds vary according to the country in which the equipment is used. The illustrations and text may include optional equipment and accessories and may not include all standard equipment. Your CASE dealer/distributor will be able to give you details of the products and their specifications available in your area.



CASE Construction Equipment is biodiesel-friendly. NOTE: All engines meet current EPA emissions regulations. All specifications are stated in accordance with SAE Standards or Recommended Practices, where applicable.



Always read the Operator's Manual before operating any equipment. Inspect equipment before using it, and be sure it is operating properly. Follow the product safety signs and use any safety features provided.

Form No. CCE201611CX750D

CX750D

9 of 9