

ENGINE

Model	AH-6WG1XYSS, Tier III certified
Type	4-stroke, turbocharged
Cylinders	6
Bore/Stroke	5.79 in x 6.07 in (147 x 154 mm)
Displacement	958 in ³ (15 700 cc)
Fuel injection	Direct
Fuel	Diesel
Fuel filter	In-line strainer
Cooling	Liquid
Horsepower per SAE J1349	
Net	532 hp (397 kW) @ 1800 rpm
Maximum torque @ 1500 rpm	
Net	1659 lb-ft (2250 N-m)

BOOM/ARM

Boom (Reach)

Length	27 ft 7 in (8.4 m)
Boom w/arm cylinder & plumbing	17,725 lb (8040 kg)
Hoist cylinders (2)	1,764 lb (800 kg) each
Total weight	21,253 lb (9640 kg)

18 ft 5 in Arm (5.62 m)

Bare arm	7,147 lb (3242 kg)
Bucket cylinder linkage & plumbing	3,126 lb (1418 kg)
Total weight	10,273 lb (4660 kg)

14 ft 7 in Arm (4.44 m)

Bare arm	6,019 lb (2730 kg)
Bucket cylinder linkage & plumbing	3,126 lb (1418 kg)
Total weight	9,145 lb (4148 kg)

12 ft 0 in Arm (3.66 m)

Bare arm	5,251 lb (2382 kg)
Bucket cylinder linkage & plumbing	3,126 lb (1418 kg)
Total weight	8,378 lb (3800 kg)

Boom (Mass Excavation)

Length	23 ft 9 in (7.25 m)
Boom w/arm cylinder & plumbing	16,491 lb (7480 kg)
Hoist cylinders (2)	1,764 lb (800 kg) each
Total weight	20,018 lb (9080 kg)

9 ft 9 in Arm (2.98 m) (Mass Excavation)

Bare arm	5,254 lb (2383 kg)
Bucket cylinder linkage & plumbing	3,545 lb (1608 kg)
Total weight	8,799 lb (3991 kg)

UNDERCARRIAGE

Number of rollers	
Top, each track	3
Bottom, each track	9
Number of shoes	
Double grouser – each side	51
Link pitch	10.3 in (260.35 mm)

HYDRAULICS

Pumps (2)	Variable displacement axial piston design
Capacity –	
Maximum	2 x 132.1 gpm (500 L/min)
System relief pressure –	
Standard	4554 psi (31.4 MPa)
Power Boost	4974 psi (34.3 MPa)

Control valves –

- 4-spool section for right track travel, boom, bucket, arm
- 5-spool section for left track travel, boom, auxiliary, swing and arm
- Boom and arm anti-drift valves

Pilot control hydraulic system –

Pump (1)	Gear design
Maximum capacity	7.1 gpm (27 L/min)
Relief pressure	638 psi (4.4 MPa)

Swing –

Motor (1)	Fixed displacement axial piston design
Speed	0-6.4 rpm
Brake	Spring-applied hydraulically released with dual cushion relief
Swing torque	196,560 (266.5)

Travel –

Motor (2)	Two-speed axial piston design
Final drive	Planetary gear reduction
Drawbar pull	127,017 lb (565 kN)

Travel Speeds –

Auto shift high to low	
	Forward/Reverse
Low	1.8 mph (2.9 km/h)
High	2.6 mph (4.2 km/h)

Travel control valve –	Dual stage relief and counter-balance design
------------------------	---

HYDRAULIC CYLINDERS

Boom cylinders (2) –	
Bore diameter	7.9 in (200 mm)
Rod diameter	5.5 in (140 mm)
Stroke	74.5 in (1893 mm)
Arm cylinder (1) –	
Bore diameter	8.5 in (215 mm)
Rod diameter	5.9 in (150 mm)
Stroke	90.2 in (2290 mm)
Bucket cylinder (1) –	
Bore diameter	7.5 in (190 mm)
Rod diameter	5.1 in (130 mm)
Stroke	61.2 in (1555 mm)
Arm cylinder (1) – (mass excavation)	
Bore diameter	8.5 in (215 mm)
Rod diameter	5.9 in (150 mm)
Stroke	85.6 in (2175 mm)
Bucket cylinder (1) – (mass excavation)	
Bore diameter	8.5 in (215 mm)
Rod diameter	5.9 in (150 mm)
Stroke	59.8 in (1520 mm)

ELECTRICAL

Voltage	24 volts, negative ground
Alternator	50 amp
Batteries (2)	Low-maintenance 140 Ah (5 hr rate)

SERVICE CAPACITIES

Hydraulic tank	
Refill capacity	82 gal (310 L)
Total system	190 gal (720 L)
Final drive (per side)	14.6 qt (13.8 L)
Swing drive	14.3 qt (13.5 L)
Engine	
w/filter change	54.9 qt (52.0 L)
Fuel	238 gal (900 L)
Radiator	140.5 qt (133.0 L)

OPERATING WEIGHT

With 12 ft 0 in (3.66 m) arm, 27 ft 7 in boom, 29.5 in (750 mm) track shoes, 6,614 lb (3000 kg) bucket, 175 lb (79 kg) operator, full fuel and standard equipment 178,575 lb (81 000 kg)

LIFT CAPACITIES – BOOM LENGTH 27 FT 7 IN (8.40 M)

18.5 ft (5.62 m) Arm Lift capacities calculated using a 5,709 lb (2590 kg) bucket, 27,558 lb (12 500 kg) counterweight.

Load (Lift Point) Height	10 ft (3.05 m)		15 ft (4.57 m)		20 ft (6.10 m)		25 ft (7.62 m)		30 ft (9.14 m)		35 ft (10.67 m)		40 ft (12.19 m)		45 ft (13.72 m)		MAXIMUM REACH				
	END	SIDE	END	SIDE	END	SIDE	END	SIDE	END	SIDE	END	SIDE	END	SIDE	END	SIDE	@	END	SIDE		
+40 ft (12.19 m)																		41 ft 9 in (12.73 m)	7,951 lb* (3606 kg)*	7,951 lb* (3606 kg)*	
+35 ft (10.67 m)																			45 ft 3 in (13.79 m)	7,301 lb* (3312 kg)*	7,301 lb* (3312 kg)*
+30 ft (9.14 m)														15,501 lb* (7031 kg)*	15,501 lb* (7031 kg)*			47 ft 10 in (14.58 m)	6,901 lb* (3130 kg)*	6,901 lb* (3130 kg)*	
+25 ft (7.62 m)														18,251 lb* (8278 kg)*	18,251 lb* (8278 kg)*	9,301 lb* (4219 kg)*	9,301 lb* (4219 kg)*	49 ft 8 in (15.14 m)	6,701 lb* (3039 kg)*	6,701 lb* (3039 kg)*	
+20 ft (6.10 m)														22,251 lb* (10 093 kg)*	22,251 lb* (10 093 kg)*	20,701 lb* (9390 kg)*	20,401 lb* (9254 kg)*	50 ft 10 in (15.49 m)	6,701 lb* (3039 kg)*	6,701 lb* (3039 kg)*	
+15 ft (4.57 m)										26,801 lb* (12 157 kg)*	26,801 lb* (12 157 kg)*	24,151 lb* (10 955 kg)*	24,151 lb* (10 955 kg)*	22,251 lb* (10 093 kg)*	19,751 lb* (8959 kg)*	18,051 lb* (8188 kg)*	15,201 lb* (6895 kg)*	51 ft 6 in (15.70 m)	6,801 lb* (3085 kg)*	6,801 lb* (3085 kg)*	
+10 ft (3.05 m)			32,751 lb* (14 856 kg)*	32,751 lb* (14 856 kg)*	40,401 lb* (18 326 kg)*	40,401 lb* (18 326 kg)*	35,951 lb* (16 307 kg)*	35,951 lb* (16 307 kg)*	30,001 lb* (13 608 kg)*	30,001 lb* (13 608 kg)*	30,001 lb* (13 608 kg)*	30,001 lb* (13 608 kg)*	26,201 lb* (11 895 kg)*	24,451 lb* (11 091 kg)*	23,551 lb* (10 682 kg)*	18,851 lb* (8551 kg)*	20,451 lb* (9276 kg)*	51 ft 7 in (15.72 m)	7,101 lb* (3221 kg)*	7,101 lb* (3221 kg)*	
+5 ft (1.52 m)			69,401 lb* (31 480 kg)*	69,401 lb* (31 480 kg)*	52,751 lb* (23 927 kg)*	52,751 lb* (23 927 kg)*	41,801 lb* (18 961 kg)*	40,551 lb* (18 394 kg)*	33,451 lb* (15 173 kg)*	30,201 lb* (13 722 kg)*	28,251 lb* (12 814 kg)*	23,101 lb* (10 478 kg)*	24,851 lb* (11 272 kg)*	17,951 lb* (8142 kg)*	22,051 lb* (10 002 kg)*	14,101 lb* (6396 kg)*	14,101 lb* (6396 kg)*	51 ft 1 in (15.24 m)	7,551 lb* (3425 kg)*	7,551 lb* (3425 kg)*	
Ground-line			48,251 lb* (21 886 kg)*	48,251 lb* (21 886 kg)*	61,401 lb* (27 851 kg)*	53,801 lb* (24 404 kg)*	46,101 lb* (20 911 kg)*	38,001 lb* (17 237 kg)*	36,501 lb* (16 557 kg)*	28,401 lb* (12 882 kg)*	30,251 lb* (13 722 kg)*	21,901 lb* (9934 kg)*	25,951 lb* (11 771 kg)*	17,151 lb* (7779 kg)*	22,701 lb* (10 297 kg)*	13,551 lb* (6147 kg)*	13,551 lb* (6147 kg)*	50 ft 0 in (15.24 m)	8,201 lb* (3720 kg)*	8,201 lb* (3720 kg)*	
-5 ft (-1.52 m)	30,451 lb* (13 812 kg)*	30,451 lb* (13 812 kg)*	48,851 lb* (22 158 kg)*	48,851 lb* (22 158 kg)*	63,601 lb* (28 849 kg)*	51,101 lb* (23 179 kg)*	48,401 lb* (21 954 kg)*	36,051 lb* (16 352 kg)*	38,401 lb* (17 418 kg)*	27,001 lb* (12 247 kg)*	31,651 lb* (14 357 kg)*	20,901 lb* (9480 kg)*	26,751 lb* (12 134 kg)*	16,501 lb* (7485 kg)*	22,801 lb* (10 342 kg)*	13,201 lb* (5988 kg)*	13,201 lb* (5988 kg)*	48 ft 4 in (14.73 m)	9,151 lb* (4151 kg)*	9,151 lb* (4151 kg)*	
-10 ft (-3.05 m)	37,601 lb* (17 055 kg)*	37,601 lb* (17 055 kg)*	55,951 lb* (25 379 kg)*	55,951 lb* (25 379 kg)*	63,351 lb* (28 735 kg)*	50,101 lb* (22 725 kg)*	48,751 lb* (22 113 kg)*	34,951 lb* (15 853 kg)*	39,001 lb* (17 690 kg)*	26,151 lb* (11 862 kg)*	32,051 lb* (14 538 kg)*	20,301 lb* (9208 kg)*	26,751 lb* (12 134 kg)*	16,101 lb* (7303 kg)*	18,151 lb* (8233 kg)*	13,051 lb* (5920 kg)*	13,051 lb* (5920 kg)*	45 ft 11 in (14.00 m)	10,451 lb* (4740 kg)*	10,451 lb* (4740 kg)*	
-15 ft (-4.57 m)	46,201 lb* (20 956 kg)*	46,201 lb* (20 956 kg)*	64,951 lb* (29 461 kg)*	64,951 lb* (29 461 kg)*	61,601 lb* (27 942 kg)*	50,151 lb* (22 748 kg)*	47,801 lb* (21 682 kg)*	34,701 lb* (15 740 kg)*	38,301 lb* (17 373 kg)*	25,801 lb* (11 703 kg)*	31,301 lb* (14 198 kg)*	20,051 lb* (9095 kg)*	25,551 lb* (11 590 kg)*	16,001 lb* (7258 kg)*	18,551 lb* (8451 kg)*	12,551 lb* (5684 kg)*	12,551 lb* (5684 kg)*	42 ft 8 in (13.00 m)	12,451 lb* (5648 kg)*	12,451 lb* (5648 kg)*	
-20 ft (-6.10 m)	56,751 lb* (25 742 kg)*	56,751 lb* (25 742 kg)*	76,951 lb* (34 904 kg)*	76,951 lb* (34 904 kg)*	57,701 lb* (26 173 kg)*	50,801 lb* (23 043 kg)*	45,101 lb* (20 457 kg)*	35,001 lb* (15 876 kg)*	36,051 lb* (16 352 kg)*	26,001 lb* (11 794 kg)*	28,851 lb* (13 087 kg)*	20,251 lb* (9186 kg)*	20,301 lb* (9208 kg)*	16,451 lb* (7462 kg)*	18,551 lb* (8451 kg)*	12,551 lb* (5684 kg)*	12,551 lb* (5684 kg)*	38 ft 4 in (11.68 m)	15,551 lb* (7054 kg)*	15,551 lb* (7054 kg)*	
-25 ft (-7.62 m)	78,101 lb* (35 426 kg)*	78,101 lb* (35 426 kg)*	66,501 lb* (30 164 kg)*	66,501 lb* (30 164 kg)*	50,601 lb* (22 952 kg)*	50,151 lb* (22 748 kg)*	47,801 lb* (21 682 kg)*	35,851 lb* (16 282 kg)*	39,601 lb* (17 963 kg)*	31,051 lb* (14 084 kg)*	26,701 lb* (12 111 kg)*	22,801 lb* (10 342 kg)*	21,051 lb* (9548 kg)*								
-30 ft (-9.14 m)			50,551 lb* (22 929 kg)*	50,551 lb* (22 929 kg)*	38,801 lb* (17 600 kg)*	38,801 lb* (17 600 kg)*	29,451 lb* (13 359 kg)*	29,451 lb* (13 359 kg)*	19,701 lb* (8936 kg)*	19,701 lb* (8936 kg)*											

14 ft 7 in (4.44 m) Arm Lift capacities calculated using a 6,616 lb (3001 kg) bucket, 27,558 lb (12 500 kg) counterweight.

Load (Lift Point) Height	10 ft (3.05 m)		15 ft (4.57 m)		20 ft (6.10 m)		25 ft (7.62 m)		30 ft (9.14 m)		35 ft (10.67 m)		40 ft (12.19 m)		45 ft (13.72 m)		MAXIMUM REACH				
	END	SIDE	END	SIDE	END	SIDE	END	SIDE	END	SIDE	END	SIDE	END	SIDE	END	SIDE	@	END	SIDE		
+40 ft (12.19 m)																		40 ft 9 in (12.42 m)	8,895 lb* (4035 kg)*	8,895 lb* (4035 kg)*	
+35 ft (10.67 m)																			40 in 8 in (12.40 m)	8,045 lb* (3649 kg)*	8,045 lb* (3649 kg)*
+30 ft (9.14 m)												19,845 lb* (9001 kg)*	19,845 lb* (9001 kg)*					43 ft 7 in (13.28 m)	7,595 lb* (3445 kg)*	7,595 lb* (3445 kg)*	
+25 ft (7.62 m)												23,795 lb* (10 793 kg)*	23,795 lb* (10 793 kg)*	14,645 lb* (6643 kg)*	14,645 lb* (6643 kg)*			45 ft 8 in (13.92 m)	7,395 lb* (3354 kg)*	7,395 lb* (3354 kg)*	
+20 ft (6.10 m)										27,545 lb* (12 494 kg)*	27,545 lb* (12 494 kg)*	25,245 lb* (11 451 kg)*	24,873 lb* (11 282 kg)*	21,295 lb* (9659 kg)*	19,423 lb* (8810 kg)*			47 ft 0 in (14.33 m)	7,345 lb* (3331 kg)*	7,345 lb* (3331 kg)*	
+15 ft (4.57 m)								35,445 lb* (16 077 kg)*	35,445 lb* (16 077 kg)*	30,245 lb* (13 719 kg)*	30,245 lb* (13 719 kg)*	26,845 lb* (12 177 kg)*	24,573 lb* (11 146 kg)*	23,995 lb* (10 884 kg)*	18,823 lb* (8538 kg)*			47 ft 8 in (14.53 m)	7,545 lb* (3422 kg)*	7,545 lb* (3422 kg)*	
+10 ft (3.05 m)			72,095 lb* (32 702 kg)*	72,095 lb* (32 702 kg)*	53,645 lb* (24 333 kg)*	53,645 lb* (24 333 kg)*	40,845 lb* (18 527 kg)*	40,845 lb* (18 527 kg)*	33,085 lb* (15 011 kg)*	30,723 lb* (13 936 kg)*	28,645 lb* (12 993 kg)*	23,373 lb* (10 602 kg)*	25,545 lb* (11 587 kg)*	18,123 lb* (8220 kg)*	11,245 lb* (5101 kg)*	11,245 lb* (5101 kg)*		47 ft 9 in (14.55 m)	7,845 lb* (3558 kg)*	7,845 lb* (3558 kg)*	
+5 ft (1.52 m)			44,945 lb* (20 387 kg)*	44,945 lb* (20 387 kg)*	59,895 lb* (27 168 kg)*	54,923 lb* (24 913 kg)*	45,695 lb* (20 727 kg)*	38,823 lb* (17 610 kg)*	36,195 lb* (16 418 kg)*	28,973 lb* (13 142 kg)*	30,245 lb* (13 719 kg)*	22,273 lb* (10 103 kg)*	26,395 lb* (11 972 kg)*	17,373 lb* (7880 kg)*	12,795 lb* (5804 kg)*	12,795 lb* (5804 kg)*		47 ft 2 in (14.38 m)	8,445 lb* (3830 kg)*	8,445 lb* (3830 kg)*	
Ground-line	23,195 lb* (10 521 kg)*	23,195 lb* (10 521 kg)*	43,745 lb* (19 842 kg)*	43,745 lb* (19 842 kg)*	63,295 lb* (28 710 kg)*	51,873 lb* (23 529 kg)*	48,495 lb* (21 997 kg)*	36,723 lb* (16 657 kg)*	38,345 lb* (17 393 kg)*	27,523 lb* (12 484 kg)*	31,695 lb* (14 376 kg)*	21,323 lb* (9672 kg)*	26,995 lb* (12 245 kg)*	16,773 lb* (7608 kg)*				46 ft 0 in (14.02 m)	9,245 lb* (4193 kg)*	9,245 lb* (4193 kg)*	
-5 ft (-1.52 m)	34,845 lb* (15 805 kg)*	34,845 lb* (15 805 kg)*	51,295 lb* (23 267 kg)*	51,295 lb* (23 267 kg)*	63,895 lb* (28 982 kg)*	50,523 lb* (22 917 kg)*	49,195 lb* (22 314 kg)*	35,423 lb* (16 068 kg)*	39,295 lb* (17 824 kg)*	26,573 lb* (12 053 kg)*	32,295 lb* (14 649 kg)*	20,623 lb* (9354 kg)*	27,095 lb* (12 290 kg)*	16,323 lb* (7404 kg)*				44 ft 2 in (13.46 m)	10,395 lb* (4715 kg)*	10,395 lb* (4715 kg)*	
-10 ft (-3.05 m)	42,495 lb* (19 275 kg)*	42,495 lb* (19 275 kg)*	59,845 lb* (27 145 kg)*	59,845 lb* (27 145 kg)*	62,445 lb* (28 324 kg)*	50,473 lb* (22 894 kg)*	48,495 lb* (21 997 kg)*	35,023 lb* (15 886 kg)*	38,895 lb* (17 642 kg)*	26,073 lb* (11 827 kg)*	31,845 lb* (14 445 kg)*	20,273 lb* (9196 kg)*	25,995 lb* (11 791 kg)*	16,223 lb* (7359 kg)*				41 ft 6 in (12.65 m)	12,145 lb* (5509 kg)*	12,145 lb* (5509 kg)*	
-15 ft (-4.57 m)	53,145 lb* (24 106 kg)*	53,145 lb* (24 106 kg)*	76,395 lb* (34 652 kg)*	76,395 lb* (34 652 kg)*	58,995 lb* (26 780 kg)*	51,073 lb* (23 166 kg)*	46,295 lb* (20 999 kg)*	35,173 lb* (15 954 kg)*	37,095 lb* (16 826 kg)*	26,123 lb* (11 849 kg)*	29,795 lb* (13 515 kg)*	20,373 lb* (9241 kg)*						37 ft 9 in (11.51 m)	14,795 lb* (6711 kg)*	14,795 lb* (6711 kg)*	
-20 ft (-6.10 m)	70,145 lb* (31 817 kg)*	70,145 lb* (31 817 kg)*	68,545 lb* (31 091 kg)*	68,545 lb* (31 091 kg)*	52,745 lb* (23 925 kg)*	51,023 lb* (23 144 kg)*	41,545 lb* (18 844 kg)*	35,873 lb* (16 272 kg)*	32,745 lb* (14 853 kg)*	26,673 lb* (12 089 kg)*	24,145 lb* (10 952 kg)*	21,073 lb* (9559 kg)*									
-25 ft (-7.62 m)			54,245 lb* (24 605 kg)*	54,245 lb* (24 605 kg)*	42,295 lb* (19 185 kg)*	42,295 lb* (19 185 kg)*	32,695 lb* (14 830 kg)*	32,695 lb* (14 830 kg)*	22,895 lb* (10 385 kg)*	22,895 lb* (10 385 kg)*											

*Lift capacities do not exceed 75% of the minimum tipping load or 87% of the hydraulic lift capacity. Capacities that are marked with an asterisk are hydraulic limited.

12 ft 0 in (3.66 m) Arm Lift capacities calculated using a 6,616 lb (3001 kg) bucket, 27,558 lb (12 500 kg) counterweight.

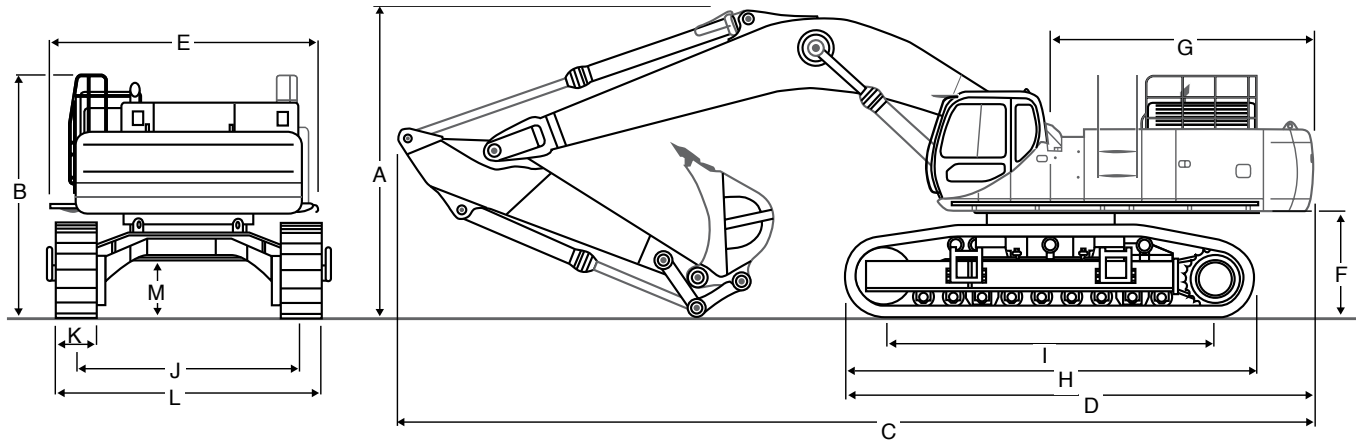
Load (Lift Point) Height	10 ft (3.05 m)		15 ft (4.57 m)		20 ft (6.10 m)		25 ft (7.62 m)		30 ft (9.14 m)		35 ft (10.67 m)		40 ft (12.19 m)		45 ft (13.72 m)		MAXIMUM REACH			
	END	SIDE	END	SIDE	END	SIDE	END	SIDE	END	SIDE	END	SIDE	END	SIDE	END	SIDE	@	END	SIDE	
+35 ft (10.67 m)																	37 ft 5 in (11.40 m)	13,636 lb* (6185 kg)*	13,636 lb* (6185 kg)*	
+30 ft (9.14 m)																	40 ft 7 in (12.37 m)	13,086 lb* (5936 kg)*	13,086 lb* (5936 kg)*	
+25 ft (7.62 m)										28,136 lb* (12 762 kg)*	28,136 lb* (12 762 kg)*	25,936 lb* (11 764 kg)*	25,638 lb* (11 629 kg)*				42 ft 9 in (13.03 m)	12,886 lb* (5845 kg)*	12,886 lb* (5845 kg)*	
+20 ft (6.10 m)										30,136 lb* (13 669 kg)*	30,136 lb* (13 669 kg)*	27,436 lb* (12 445 kg)*	25,188 lb* (11 425 kg)*	17,686 lb* (8022 kg)*	17,686 lb* (8022 kg)*		44 ft 3 in (13.49 m)	12,936 lb* (5868 kg)*	12,936 lb* (5868 kg)*	
+15 ft (4.57 m)			65,936 lb* (29 908 kg)*	65,936 lb* (29 908 kg)*	48,586 lb* (22 038 kg)*	48,586 lb* (22 038 kg)*	38,586 lb* (17 502 kg)*	38,586 lb* (17 502 kg)*	32,636 lb* (14 803 kg)*	31,786 lb* (14 418 kg)*	28,836 lb* (13 080 kg)*	24,188 lb* (10 971 kg)*	25,586 lb* (11 606 kg)*	18,588 lb* (8431 kg)*			45 ft (13.72 m)	13,286 lb* (6026 kg)*	13,286 lb* (6026 kg)*	
+10 ft (3.05 m)					55,386 lb* (25 123 kg)*	55,386 lb* (25 123 kg)*	43,886 lb* (19 906 kg)*	40,488 lb* (18 365 kg)*	35,186 lb* (15 960 kg)*	30,138 lb* (13 670 kg)*	30,336 lb* (13 760 kg)*	23,088 lb* (10 473 kg)*	26,636 lb* (12 082 kg)*	17,938 lb* (8137 kg)*			45 ft (13.72 m)	13,886 lb* (6299 kg)*	13,886 lb* (6299 kg)*	
+5 ft (1.52 m)			37,386 lb* (16 958 kg)*	37,386 lb* (16 958 kg)*	60,886 lb* (27 617 kg)*	53,288 lb* (24 171 kg)*	47,836 lb* (21 698 kg)*	37,988 lb* (17 231 kg)*	37,786 lb* (17 139 kg)*	28,538 lb* (12 945 kg)*	37,886 lb* (17 193 kg)*	31,586 lb* (14 327 kg)*	22,088 lb* (10 019 kg)*	27,336 lb* (12 399 kg)*	17,338 lb* (7864 kg)*		45 ft 6 in (13.56 m)	14,786 lb* (6707 kg)*	14,088 lb* (6390 kg)*	
Ground- line			43,936 lb* (19 929 kg)*	43,936 lb* (19 929 kg)*	63,836 lb* (28 956 kg)*	50,988 lb* (23 128 kg)*	49,486 lb* (22 447 kg)*	36,238 lb* (16 437 kg)*	39,386 lb* (17 865 kg)*	27,338 lb* (12 400 kg)*	32,536 lb* (14 758 kg)*	21,238 lb* (9633 kg)*	27,586 lb* (12 513 kg)*	16,888 lb* (7660 kg)*			43 ft 3 in (13.18 m)	16,086 lb* (7297 kg)*	14,688 lb* (6662 kg)*	
-5 ft (-1.52 m)	42,536 lb* (19 294 kg)*	42,536 lb* (19 294 kg)*	52,486 lb* (23 807 kg)*	52,486 lb* (23 807 kg)*	63,486 lb* (28 797 kg)*	50,538 lb* (22 924 kg)*	49,286 lb* (22 356 kg)*	35,338 lb* (16 029 kg)*	39,586 lb* (17 956 kg)*	26,588 lb* (12 060 kg)*	32,586 lb* (14 781 kg)*	20,738 lb* (9407 kg)*	26,986 lb* (12 241 kg)*	16,638 lb* (7547 kg)*			41 ft 2 in (12.55 m)	17,986 lb* (8158 kg)*	16,038 lb* (7275 kg)*	
-10 ft (-3.05 m)	48,936 lb* (22 197 kg)*	48,936 lb* (22 197 kg)*	69,086 lb* (31 337 kg)*	69,086 lb* (31 337 kg)*	81,036 lb* (36 786 kg)*	50,888 lb* (23 082 kg)*	47,936 lb* (21 743 kg)*	35,288 lb* (16 006 kg)*	38,586 lb* (17 502 kg)*	26,338 lb* (11 947 kg)*	31,386 lb* (14 236 kg)*	20,588 lb* (9339 kg)*					38 ft 3 in (11.66 m)	20,836 lb* (9451 kg)*	18,488 lb* (8386 kg)*	
-15 ft (-4.57 m)	64,686 lb* (29 341 kg)*	64,686 lb* (29 341 kg)*	72,636 lb* (32 947 kg)*	72,636 lb* (32 947 kg)*	86,286 lb* (39 148 kg)*	51,486 lb* (23 354 kg)*	44,636 lb* (20 247 kg)*	35,738 lb* (16 210 kg)*	35,686 lb* (16 187 kg)*	26,638 lb* (12 083 kg)*	27,686 lb* (12 558 kg)*	21,038 lb* (9543 kg)*								
-20 ft (-6.10 m)	79,936 lb* (36 258 kg)*	79,936 lb* (36 258 kg)*	81,136 lb* (37 731 kg)*	81,136 lb* (37 731 kg)*	94,186 lb* (42 718 kg)*	48,186 lb* (21 857 kg)*	38,136 lb* (17 298 kg)*	36,338 lb* (16 483 kg)*	29,136 lb* (13 216 kg)*	27,438 lb* (12 446 kg)*										
-25 ft (-7.62 m)					34,736 lb* (15 756 kg)*	34,736 lb* (15 756 kg)*	25,336 lb* (11 492 kg)*	25,336 lb* (11 492 kg)*												

LIFT CAPACITIES – BOOM LENGTH 23 FT 9 IN (7.25 M) (MASS EXCAVATION)

9 ft 9 in (2.98 m) Arm Lift capacities calculated using a 7,623 lb (3450 kg) bucket, 27,558 lb (12 500 kg) counterweight.

Load (Lift Point) Height	10 ft (3.05 m)		15 ft (4.57 m)		20 ft (6.10 m)		25 ft (7.62 m)		30 ft (9.14 m)		35 ft (10.67 m)		40 ft (12.19 m)		45 ft (13.72 m)		MAXIMUM REACH			
	END	SIDE	END	SIDE	END	SIDE	END	SIDE	END	SIDE	END	SIDE	END	SIDE	END	SIDE	@	END	SIDE	
+35 ft (10.57 m)																	28 ft 10 in (8.78 m)	22,897 lb* (10 386 kg)*	22,897 lb* (10 386 kg)*	
+30 ft (9.14 m)																	33 ft 1 in (10.08 m)	21,447 lb* (9728 kg)*	21,447 lb* (9728 kg)*	
+25 ft (7.62 m)										31,447 lb* (14 264 kg)*	31,447 lb* (14 264 kg)*						35 ft 11 in (10.94 m)	20,897 lb* (9479 kg)*	20,897 lb* (9479 kg)*	
+20 ft (6.10 m)							37,997 lb* (17 235 kg)*	37,997 lb* (17 235 kg)*	34,247 lb* (15 534 kg)*	32,948 lb* (14 945 kg)*							37 ft 8 in (11.48 m)	21,897 lb* (9479 kg)*	20,748 lb* (9411 kg)*	
+15 ft (4.57 m)			69,047 lb* (31 319 kg)*	69,047 lb* (31 319 kg)*	51,647 lb* (23 427 kg)*	51,647 lb* (23 427 kg)*	41,697 lb* (18 914 kg)*	41,697 lb* (18 914 kg)*	36,097 lb* (16 374 kg)*	31,698 lb* (14 378 kg)*	30,597 lb* (13 879 kg)*	23,598 lb* (10 704 kg)*					38 ft 7 in (11.76 m)	21,397 lb* (9706 kg)*	19,198 lb* (8708 kg)*	
+10 ft (3.05 m)			80,997 lb* (36 740 kg)*	80,997 lb* (36 740 kg)*	58,347 lb* (26 466 kg)*	58,347 lb* (26 466 kg)*	45,947 lb* (20 841 kg)*	41,148 lb* (18 664 kg)*	38,147 lb* (17 303 kg)*	30,248 lb* (13 720 kg)*	33,047 lb* (14 990 kg)*	22,898 lb* (10 386 kg)*					38 ft 9 in (11.81 m)	22,397 lb* (10 159 kg)*	18,548 lb* (8413 kg)*	
+5 ft (1.52 m)			64,597 lb* (29 301 kg)*	64,597 lb* (29 301 kg)*	62,297 lb* (28 165 kg)*	55,348 lb* (25 105 kg)*	49,547 lb* (22 474 kg)*	38,948 lb* (17 666 kg)*	39,847 lb* (18 074 kg)*	28,948 lb* (13 130 kg)*	33,647 lb* (15 262 kg)*	22,148 lb* (10 046 kg)*					38 ft 1 in (11.60 m)	23,997 lb* (10 895 kg)*	18,748 lb* (8504 kg)*	
Ground- line			68,497 lb* (31 070 kg)*	68,497 lb* (31 070 kg)*	66,147 lb* (30 004 kg)*	53,148 lb* (24 107 kg)*	50,797 lb* (23 041 kg)*	37,348 lb* (16 941 kg)*	40,647 lb* (18 437 kg)*	27,948 lb* (12 677 kg)*	33,347 lb* (15 126 kg)*	21,648 lb* (9819 kg)*					36 ft 8 in (11.17 m)	26,397 lb* (11 974 kg)*	19,948 lb* (9048 kg)*	
-5 ft (-1.52 m)	53,147 lb* (24 107 kg)*	53,147 lb* (24 107 kg)*	85,947 lb* (38 985 kg)*	83,048 lb* (37 670 kg)*	64,597 lb* (29 301 kg)*	52,698 lb* (23 903 kg)*	50,047 lb* (22 701 kg)*	36,598 lb* (16 600 kg)*	39,847 lb* (18 074 kg)*	27,398 lb* (12 427 kg)*							34 ft 3 in (10.43 m)	28,097 lb* (12 745 kg)*	22,498 lb* (10 205 kg)*	
-10 ft (-3.05 m)	71,397 lb* (32 385 kg)*	71,397 lb* (32 385 kg)*	79,247 lb* (35 946 kg)*	79,247 lb* (35 946 kg)*	60,147 lb* (27 282 kg)*	53,148 lb* (24 107 kg)*	46,797 lb* (21 227 kg)*	36,698 lb* (16 646 kg)*	36,147 lb* (16 396 kg)*	27,498 lb* (12 473 kg)*										
-15 ft (-4.57 m)	87,547 lb* (39 711 kg)*	87,547 lb* (39 711 kg)*	66,397 lb* (30 117 kg)*	66,397 lb* (30 117 kg)*	51,247 lb* (23 245 kg)*	51,247 lb* (23 245 kg)*	38,947 lb* (17 666 kg)*	37,298 lb* (16 918 kg)*												
-20 ft (-6.10 m)					34,197 lb* (15 512 kg)*	34,197 lb* (15 512 kg)*														

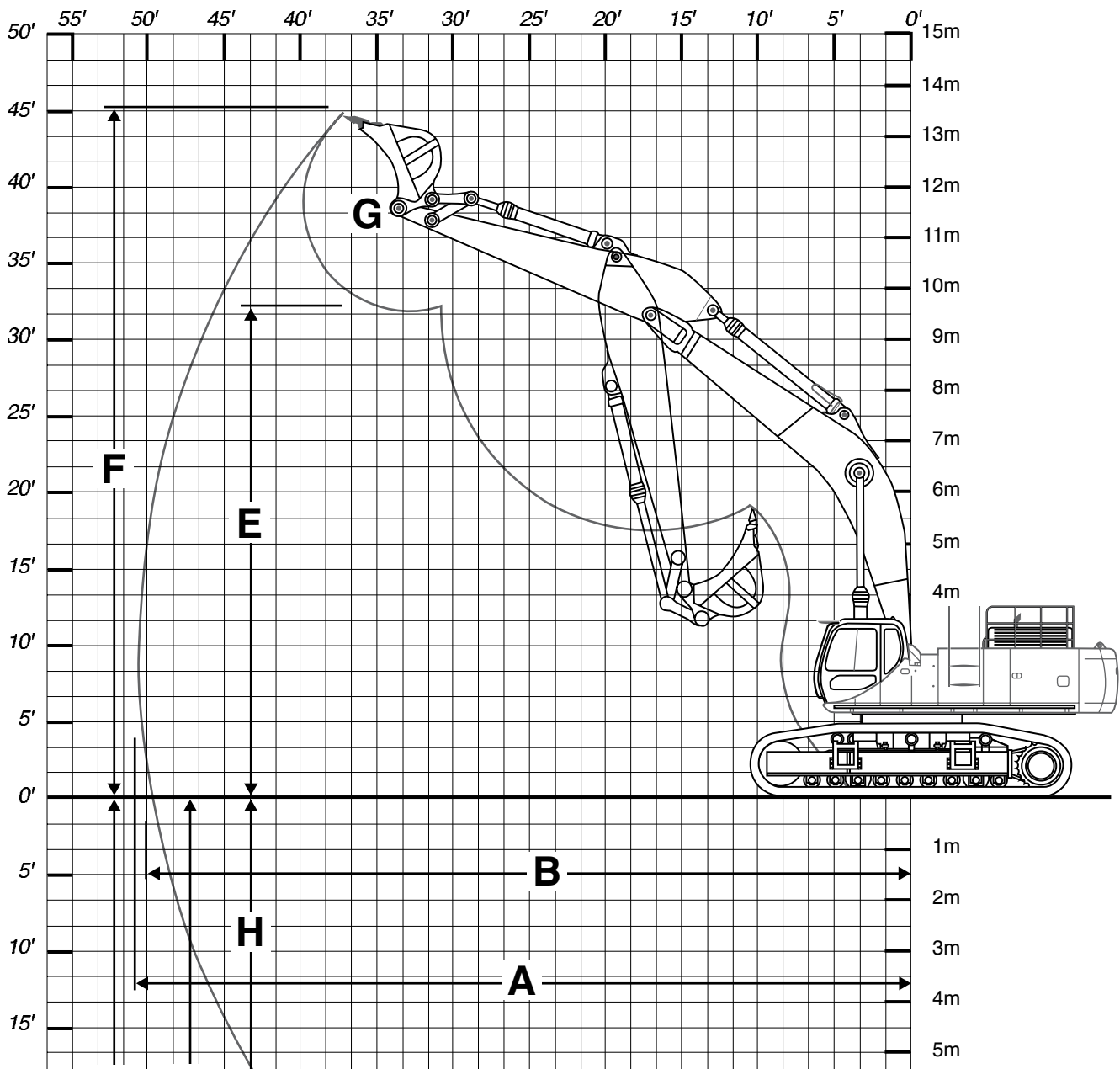
GENERAL DIMENSIONS



DIMENSIONS — BOOM LENGTH 27 FT 7 IN (8.40 M)

	18 ft 5 in (5.62 m) Arm	14 ft 7 in (4.44 m) Arm	12 ft 0 in (3.66 m) Arm
A. Overall height	20 ft 4 in (6.20 m)	16 ft 5 in (5.00 m)	15 ft 9 in (4.81 m)
B. Cab height	11 ft 10 in (3.61 m)	11 ft 10 in (3.61 m)	11 ft 10 in (3.61 m)
C. Overall length	45 ft 8 in (13.92 m)	47 ft 0 in (14.32 m)	47 ft 1 in (14.36 m)
D. w/o attachment	24 ft 6 in (7.46 m)	24 ft 6 in (7.46 m)	24 ft 6 in (7.46 m)
E. Width of upperstructure	13 ft 11 in (4.25 m)	13 ft 11 in (4.25 m)	13 ft 11 in (4.25 m)
F. Upperstructure ground clearance	5 ft 3 in (1.59 m)	5 ft 3 in (1.59 m)	5 ft 3 in (1.59 m)
G. Tail swing radius	14 ft 1 in (4.30 m)	14 ft 1 in (4.30 m)	14 ft 1 in (4.30 m)
H. Track overall length	20 ft 10 in (6.36 m)	20 ft 10 in (6.36 m)	20 ft 10 in (6.36 m)
I. Center to center (idler to sprocket)	16 ft 8 in (5.07 m)	16 ft 8 in (5.07 m)	16 ft 8 in (5.07 m)
J. Track gauge — extended	11 ft 4 in (3.45 m)	11 ft 4 in (3.45 m)	11 ft 4 in (3.45 m)
K. Track shoe width	29.5 in (750 mm)	29.5 in (750 mm)	29.5 in (750 mm)
L. Track overall width w/29.5 in (750 mm) shoes	14 ft 4 in (4.36 m)	14 ft 4 in (4.36 m)	14 ft 4 in (4.36 m)
L. Track overall width w/29.5 in (750 mm) side frames retracted	12 ft 3 in (3.74 m)	12 ft 3 in (3.74 m)	12 ft 3 in (3.74 m)
M. Minimum ground clearance	2 ft 11 in (0.89 m)	2 ft 11 in (0.89 m)	2 ft 11 in (0.89 m)
Working weight*	180,471 lb (81 860 kg)	179,342 lb (81 348 kg)	178,575 lb (81 000 kg)
Ground pressure	14.4 psi (99 bar)	14.3 psi (98 bar)	14.3 psi (98 bar)

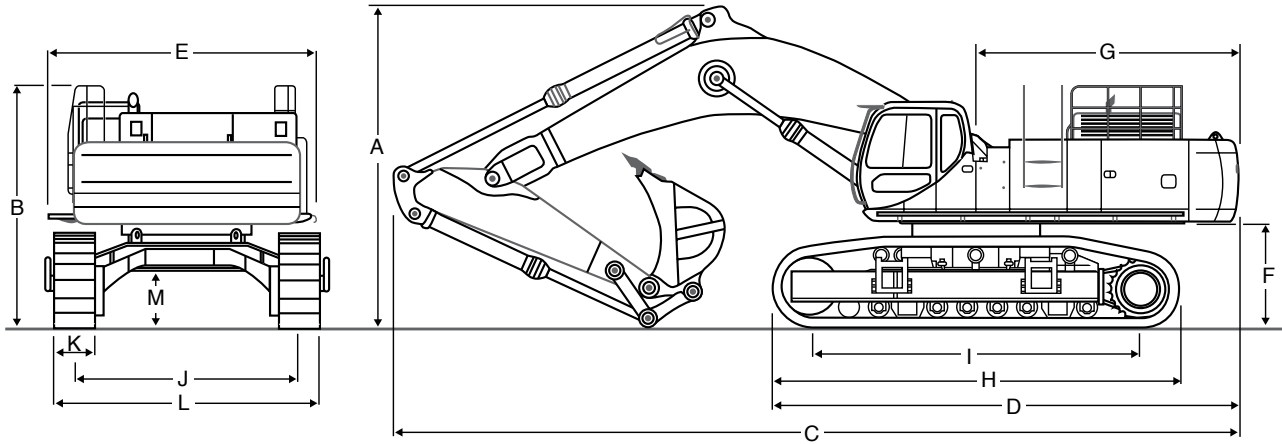
*With 29.5 in (750 mm) track shoe, 6,614 lb (3000 kg) bucket, 165 lb (75 kg) operator, full fuel and standard equipment.



PERFORMANCE SPECS – BOOM LENGTH 27 FT 7 IN (8.40 M)

	18 ft 5 in (5.62 m) Arm	14 ft 7 in (4.44 m) Arm	12 ft 0 in (3.66 m) Arm
A. Maximum dig radius	52 ft 10 in (16.11 m)	49 ft 0 in (14.94 m)	46 ft 4 in (14.12 m)
B. Dig radius at groundline	52 ft 1 in (15.86 m)	48 ft 2 in (14.68 m)	45 ft 5 in (13.84 m)
C. Maximum dig depth	35 ft 0 in (10.66 m)	31 ft 1 in (9.47 m)	28 ft 6 in (8.69 m)
D. Dig depth – 8 ft 0 in (2.44 m) level bottom	34 ft 8 in (10.56 m)	30 ft 9 in (9.36 m)	28 ft 1 in (8.57 m)
E. Dump height	33 ft 4 in (10.17 m)	31 ft 2 in (9.51 m)	29 ft 3 in (8.92 m)
F. Overall reach height	46 ft 11 in (14.30 m)	44 ft 7 in (13.6 m)	42 ft 4 in (12.91 m)
G. Bucket rotation	167°	167°	167°
H. Vertical straight wall dig depth	29 ft 11 in (9.11 m)	25 ft 5 in (7.75 m)	21 ft 3 in (6.44 m)
J. Minimum swing radius	20 ft 4 in (6.21 m)	20 ft 1 in (6.13 m)	20 ft 7 in (6.27 m)
Arm digging force			
Standard	43,842 lb (195 kN)	52,156 lb (232 kN)	61,598 lb (274 kN)
Power Boost	48,113 lb (214 kN)	56,877 lb (253 kN)	67,443 lb (300 kN)
Bucket digging force			
Standard	74,187 lb (330 kN)	74,187 lb (330 kN)	74,187 lb (330 kN)
Power Boost	81,156 lb (361 kN)	81,156 lb (361 kN)	81,156 lb (361 kN)

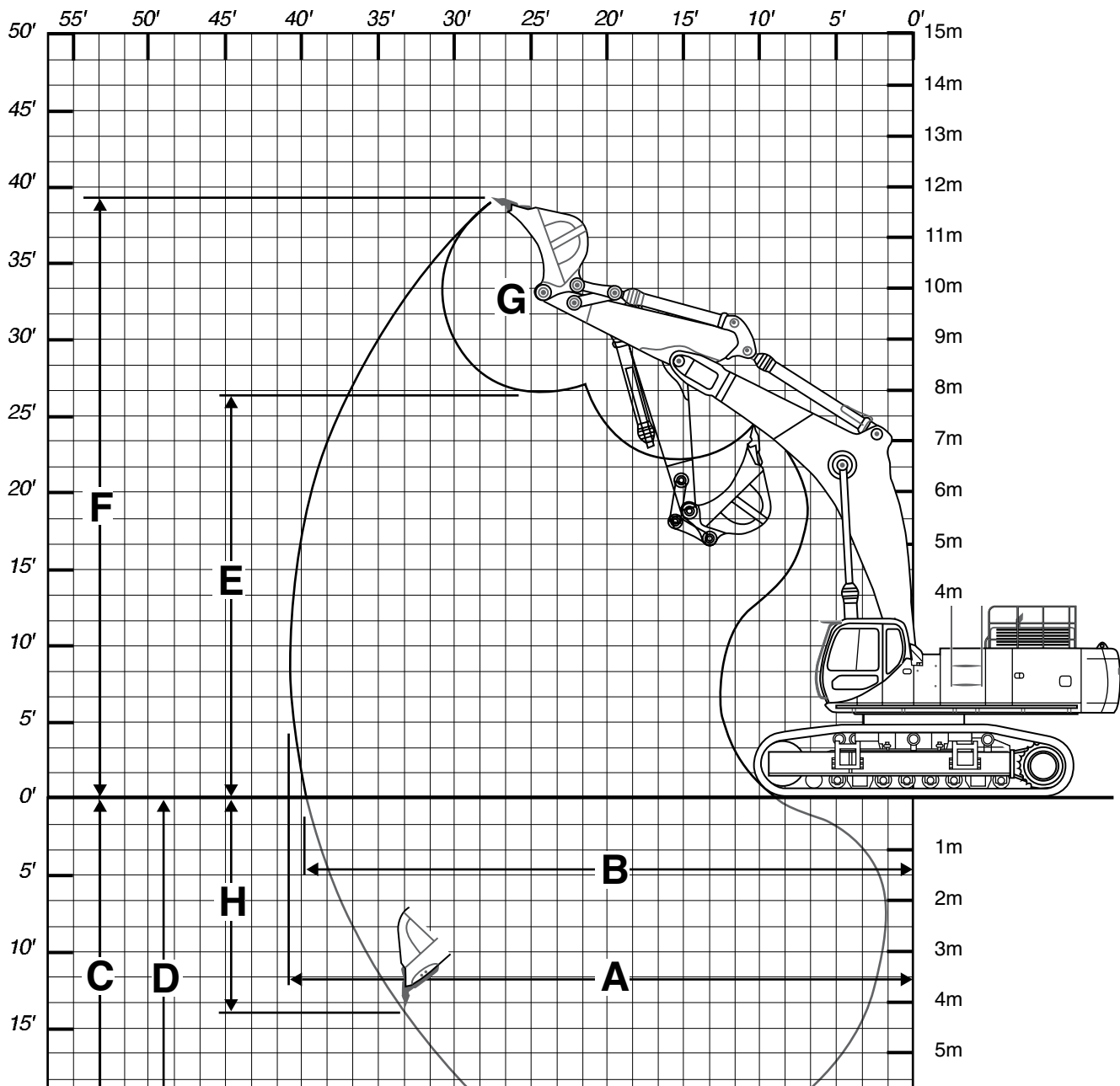
GENERAL DIMENSIONS



DIMENSIONS — BOOM LENGTH 23 FT 9 IN (7.25 M) (MASS EXCAVATION)

	9 ft 9 in (2.98 m) Arm
A. Overall height	16 ft 5 in (5.00 m)
B. Cab height	11 ft 10 in (3.61 m)
C. Overall length	43 ft 4 in (13.21 m)
D. w/o attachment	24 ft 6 in (7.46 m)
E. Width of upperstructure	13 ft 11 in (4.25 m)
F. Upperstructure ground clearance	5 ft 3 in (1.59 m)
G. Tail swing radius	14 ft 1 in (4.30 m)
H. Track overall length	20 ft 10 in (6.36 m)
I. Center to center (idler to sprocket)	16 ft 8 in (5.07 m)
J. Track gauge — extended	11 ft 4 in (3.45 m)
K. Track shoe width	29.5 in (750 mm)
L. Track overall width w/29.5 in (750 mm) shoes	14 ft 4 in (4.36 m)
L. Track overall width w/29.5 in (750 mm) side frames retracted	12 ft 3 in (3.74 m)
M. Minimum ground clearance	2 ft 11 in (0.89 m)
Working weight* kg)	178,771 lb (81 089 kg)
Ground pressure	14.3 psi (98 bar)

*With 29.5 in (750 mm) track shoe, 7,623 lb (3450 kg) bucket, 165 lb (75 kg) operator, full fuel and standard equipment.



PERFORMANCE SPECS – BOOM LENGTH 23 FT 9 IN (7.25 M)

	9 ft 9 in (2.98 m) Arm
A. Maximum dig radius	40 ft 5 in (12.31 m)
B. Dig radius at groundline	39 ft 4 in (11.99 m)
C. Maximum dig depth	23 ft 1 in (7.03 m)
D. Dig depth – 8 ft 0 in (2.44 m) level bottom	22 ft 7 in (6.88 m)
E. Dump height	25 ft 11 in (7.89 m)
F. Overall reach height	38 ft 7 in (11.76 m)
G. Bucket rotation	162°
H. Vertical straight wall dig depth	13 ft 11 in (4.25 m)
J. Minimum swing radius	17 ft 8 in (5.39 m)
Arm digging force	
Standard	71,264 lb (317 kN)
Power Boost	78,009 lb (347 kN)
Bucket digging force	
Standard	96,668 lb (430 kN)
Power Boost	105,660 lb (470 kN)

STANDARD EQUIPMENT

OPERATOR'S COMPARTMENT

Sliding front window – storable
 LCD monitor display
 Skylight
 Cab with Isomount® system
 Adjustable deluxe seat with
 3 in (76 mm) retractable seat belt
 Safety glass – all windows
 Climate Control System
 AM/FM Radio w/auto tuner
 Windshield wiper w/washer
 Anti-theft device

ENGINE

AH-6WG1XYSS turbocharged diesel
 Tier III certified
 Warm up mode
 Dial type throttle control
 Emergency stop
 Auto engine derate
 Auto and one touch idle

ELECTRICAL

Batteries (2)
 Electronic Systems Monitor
 Boom worklight
 Horn, dual
 Turntable worklight

HYDRAULICS

ISO pattern pilot controls
 Work mode selector: SP, H & Auto
 Power Boost – automatic
 2 Variable flow piston pumps
 Auxiliary attachment mode
 Neutral pump destroke
 Auxiliary hydraulic valve
 Boom and arm anti-drift valves
 Attachment cushion control for boom and arm
 100% return oil filtration
 Boom priority
 Hydraulic reversing fan

UNDERCARRIAGE

Shoes: 29.5 in (750 mm) 2-bar, 51 per side
 Track length: 20 ft 10 in (6.36 m)
 Track gauge: 11 ft 11 in (3.64 m)
 Sealed and lubed track

TRACK DRIVE

2-speed hydrostatic travel
 Straight tracking travel pedal
 Disc-type parking brakes

UPPERSTRUCTURE

Boom: 27 ft 7 in (8.40 m) one piece
 Hammer adaptable
 Swing brake

OTHER

Counterweight: 27,668 lb (12 561 kg)
 Single key lockup

TELEMATICS

CASE SiteWatch™ Telematics – includes hardware. Use special instructions for the 3-yr Advanced data subscription activation and reimbursement

OPTIONAL EQUIPMENT

UPPERSTRUCTURE

Arm: 14 ft 7 in or 12 ft 0 in (4.44 m or 3.66 m)

Mass Excavation

Arm: 9 ft 9 in (2.98 m)
 Boom: 23 ft 9 in (7.25 m)

FOPS guard level 2
 Front screen
 Front grill
 Sun visor
 Rain deflector
 Vandal guard

HYDRAULICS

Auxiliary hydraulics
 Single acting, one pump
 Double acting, single or dual pump (includes heavy-duty bucket linkage)
 Double acting general purpose for use with thumb kit
 Control pattern selector valve

OTHER

Air suspension seat
 Load holding control devices, cylinder mounted
 Counterweight removal device
 Full length track guards

BUCKETS

Application	Width	SAE Heaped Capacity
Heavy-duty	42 in thru 84 in (1.06 m thru 2.13 m)	2.53 yd ³ thru 5.91 yd ³ (1.93 m ³ thru 4.52 m ³)
Extreme-duty	45 in thru 84 in (1.14 m thru 2.13 m)	2.47 yd ³ thru 5.30 yd ³ (1.89 m ³ thru 4.05 m ³)



NOTE: All specifications are stated in accordance with SAE Standards or Recommended Practices, where applicable.

NOTE: All engines meet current EPA emissions requirements.

IMPORTANT: Case Construction Equipment Inc. reserves the right to change these specifications without notice and without incurring any obligation relating to such change. Case Construction Equipment Inc. does not warrant the safety or reliability of attachments from other manufacturers.

CASE is a trademark registered in the United States and many other countries, owned by or licensed to CNH Industrial N.V., its subsidiaries or affiliates. CNH Industrial Capital is a trademark in the United States and many other countries, owned by or licensed to CNH Industrial N.V., its subsidiaries or affiliates.

Form No. CCE201503CX800B
 Replaces Form No. CCE7030801

Printed in U.S.A.
 CX800B • Page 7 of 7

© 2015 CNH Industrial America LLC
 All Rights Reserved



All Case construction equipment is biodiesel ready.

