

ENGINE

Model	FPT NEF4
Emissions Certification	Tier 4 Final/Stage V
Fuel	Requires ultra-low sulfur fuel B5 biodiesel tolerant
Type	Water-cooled, 4-cycle diesel, 4-cylinder in line, high pressure common rail system – electric control. Fixed geometry turbocharger w/ air cooled intercooler, ATS, EGR-free
Cylinders	4-cylinder in-line
Displacement	274 in ³ (4.49 L)
Bore/Stroke	4.09 x 5.2 in (104 x 132 mm)
Fuel injection	High pressure common rail system – electronic
Fuel filter	Replaceable, full flow spin-on cartridge
Air filter	Dry type dual element w/ warning restriction indicator
Oil filter	Replaceable, full flow spin-on cartridge
Engine gradeability:	
Side-to-side	35°
Fore and aft	35°
Net horsepower – SAE J1349 @ 2000 RPM:	102 hp (76.4 kW)
Net max. torque – SAE J1349 @ 1800 RPM:	273 lbf-ft (370 N-m)
Cooling operating range:	109° to -13°F (43° to -25°C)
Oil	Requires low-ash oil CJ-4

DRIVETRAIN

Travel control	Dual stage relief/ counter balance design
Brakes	Mechanical disc
Two speed travel:	
Max. high speed	3.5 mph (5.7 km/h)
Max. low speed	2.1 mph (3.4 km/h)
Automatic downshift	
Drawbar pull	26,300 lbf (117 kN)
Gradeability	70% – 35° Slope

ELECTRICAL

Voltage	24 Volts
Alternator rating	90 amp
Batteries	2 x 12 Volt
Battery reserve capacity	72 Ah/5 hour
Work lights – 4 1 boom, 1 upper, 2 cab	24 Volt/70 watt

OPERATOR ENVIRONMENT

Air conditioner output	18,100 BTU/hr
Heater output	20,150 BTU/hr
Sound level inside cab – ISO6395	70 dBA
Electrical outlet	12 Volt
Cab interior light	10 watt
Rear and side view cameras	

Operator's Cab:
Smooth and round shape design cab; Safety glass for all windows; Shock-less cab suspension by 4-point fluid mounting; Sliding front window w/ auto lock; 10" Full-color LCD monitor display; Membrane switch on monitor display; Switch panel (including throttle dial w/ eco-mode switch); Windshield wiper & washer; AM/FM/Bluetooth Radio w/ hands-free phone; Sectioned floor mat; Polycarbonate roof hatch & Sun shade; Auto air conditioner; Roll-over protective structure (ROPS); Top guard OPG level 1 (in cab structure).

Seat:
Low frequency air suspension w/ air springs and double acting hydraulic damper; Manual weight adjustment; Backrest angle adjustment; Seat height adjustment; Adjustable armrest (Angle and height); Adjustable headrest; Retractable seat belt; Adjustable lumbar support; Console mount on suspension; Control consoles adjust independently of seat.

ATTACHMENT

Boom	15 ft 2 in (4 630 mm)
Arm options	8 ft 2 in (2.5 m) 9 ft 10 in (3.01 m) 6 ft 11 in (2.11 m)
Bucket digging force w/ auto power up	20,200 lbf (90 kN) 21,400 lbf (95 kN)

NOTE: *Digging force ratings based on ISO6015.

OPERATING WEIGHT

Operating weight	30,200 lb (13 700 kg)
w/ shoes	2 ft 0 in (600 mm)
w/ boom	15 ft 2 in (4 630 mm)
w/ arm	8 ft 2 in (2.5 m)
w/ bucket	882 lb (400 kg)
w/ counterweight	4,100 lb (1 870 kg)
w/ blade	8 ft 6 in (2 590 mm)

NOTE: W/ operator/full fuel/standard equipment.

GROUND PRESSURE

@ Standard operating weight 5.37 psi (0.37 bar)
w/ 23.6 in (600 mm) triple grouser shoes

HYDRAULICS

System design	Open center
Main pumps	Two-variable displacement/ axial piston pumps w/ regulating system
Max. rated flow x 2	34.1 gpm (129 L/min) @ 2000 RPM
System pressures:	
Boom, arm and bucket	4,970 psi (343 bar)
w/ Auto Power Up	5,260 psi (363 bar)
Travel circuits	4,970 psi (343 bar)
Swing circuits	4,050 psi (279 bar)
Pilot pump	1 x gear design
Max. capacity	5.3 gpm (20 L/min)
Pilot system working pressure:	570 psi (39 bar, 40 kgf/cm ²)
Control valve w/ boom/arm holding valve:	
Right track travel, bucket, boom and arm acceleration.	1 x Four-spool section
Left track travel, auxiliary, swing, boom and arm acceleration.	1 x Five-spool section
Work mode selections	SP – Mode Power – Mode Eco – Mode Lift – Mode

Swing motor	Fixed displacement axial piston
Swing brake	Mechanical disc brake
Turn table bearing	Ball bearing type w/ internal gear
Swing final drive	Planetary gear reduction
Travel motor	Two-speed independent travel/axial piston

HYDRAULIC CYLINDERS

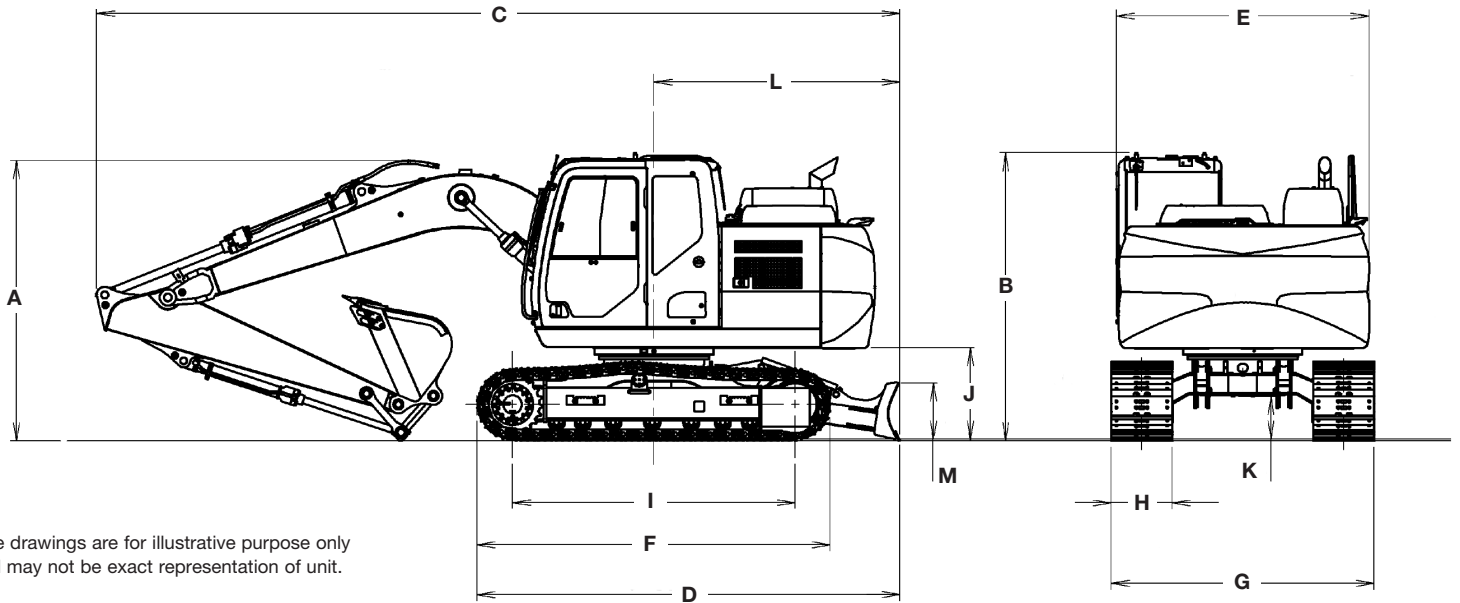
Boom cylinders	Two (2)
Cylinder bore	4.1 in (105 mm)
Cylinder rod diameter	2.8 in (70 mm)
Cylinder stroke	37.8 in (961 mm)
Arm cylinder	One (1)
Cylinder bore	4.5 in (115 mm)
Cylinder rod diameter	3.1 in (80 mm)
Cylinder stroke	43.6 in (1 108 mm)
Bucket cylinder	One (1)
Cylinder bore	3.7 in (95 mm)
Cylinder rod diameter	2.6 in (65 mm)
Cylinder stroke	34.7 in (881 mm)
Blade cylinder	One (1)
Cylinder bore	4.5 in (115 mm)
Cylinder rod diameter	2.8 in (70 mm)
Cylinder stroke	9.8 in (250 mm)

SERVICE CAPACITIES

Fuel tank	66 gal (250 L)
Hydraulic system	41 gal (157 L)
Hydraulic tank	22 gal (82 L)
Engine oil w/ filter	2.9 gal (10.8 L)
Swing drive	0.6 gal (2.2 L)
Final drive	0.6 gal (2.3 L)
Cooling system	5.3 gal (20 L)
DEF tank	16 gal (60 L)

OTHER SPECIFICATIONS

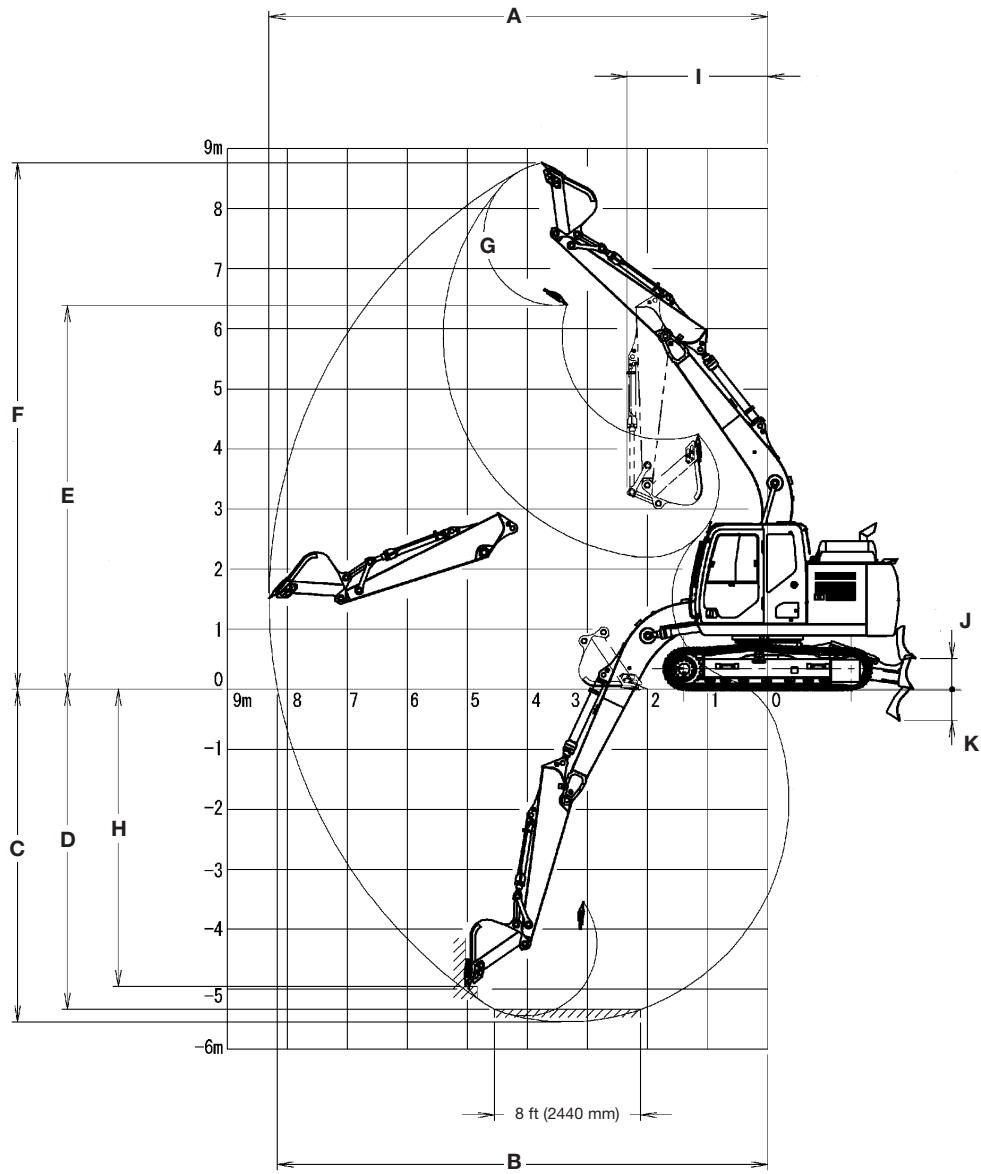
Swing speed	14.2 RPM
Swing torque	24,400 lbf-ft (33 kN-m)
Swing brake	Mechanical disc
Undercarriage:	
Length	11 ft 6 in (3 500 mm)
Track gauge	6 ft 6 in (1 990 mm)
Carrier rollers – each side	1
Track rollers – each side	7
Shoes – triple grouser – each side	43
Shoe width – std.	2 ft 0 in (600 mm)
Link pitch	6.8 in (172 mm)
Track:	
Chain	Grease lubricated/strutted
Guides	Single
Adjustment	Hydraulic



Line drawings are for illustrative purpose only and may not be exact representation of unit.

DIMENSIONS

	8 ft 2 in (2.50 m) Arm	9 ft 10 in (3.01 m) Arm	6 ft 11 in (2.11 m) Arm
A. Overall height	9 ft 1 in (2 760 mm)	9 ft 0 in (2 740 mm)	8 ft 9 in (2 670 mm)
B. Cab height	9 ft 3 in (2 830 mm)	9 ft 3 in (2 830 mm)	9 ft 3 in (2 830 mm)
C. Overall length – with attachment	25 ft 11 in (7 910 mm)	26 ft 0 in (7 930 mm)	25 ft 11 in (7 900 mm)
D. Overall length – without attachment	13 ft 8 in (4 160 mm)	13 ft 8 in (4 160 mm)	13 ft 8 in (4 160 mm)
E. Width of upper structure	8 ft 2 in (2 490 mm)	8 ft 2 in (2 490 mm)	8 ft 2 in (2 490 mm)
F. Track overall length	11 ft 6 in (3 500 mm)	11 ft 6 in (3 500 mm)	11 ft 6 in (3 500 mm)
G. Track overall width with 23.6 in (600 mm) shoes	8 ft 6 in (2 590 mm)	8 ft 6 in (2 590 mm)	8 ft 6 in (2 590 mm)
H. Track shoe width	2 ft 0 in (600 mm)	2 ft 0 in (600 mm)	2 ft 0 in (600 mm)
I. Center to center – idler to sprocket	9 ft 2 in (2 790 mm)	9 ft 2 in (2 790 mm)	9 ft 2 in (2 790 mm)
J. Upper structure ground clearance	2 ft 11 in (900 mm)	2 ft 11 in (900 mm)	2 ft 11 in (900 mm)
K. Minimum ground clearance	1 ft 5 in (425 mm)	1 ft 5 in (425 mm)	1 ft 5 in (425 mm)
L. Rear tail swing radius	7 ft 2 in (2 190 mm)	7 ft 2 in (2 190 mm)	7 ft 2 in (2 190 mm)
M. Blade height	1 ft 10 in (570 mm)	1 ft 10 in (570 mm)	1 ft 10 in (570 mm)



PERFORMANCE SPECS

	8 ft 2 in (2.50 m) Arm	9 ft 10 in (3.01 m) Arm	6 ft 11 in (2.11 m) Arm
A. Maximum dig radius	27 ft 3 in (8 310 mm)	28 ft 9 in (8 770 mm)	26 ft 1 in (7 960 mm)
B. Dig radius at groundline	26 ft 10 in (8 170 mm)	28 ft 4 in (8 640 mm)	25 ft 7 in (7 810 mm)
C. Maximum dig depth	18 ft 3 in (5 550 mm)	19 ft 10 in (6 050 mm)	16 ft 11 in (5 160 mm)
D. Dig depth - 8 ft 0 in (2.44 m) level bottom	17 ft 6 in (5 330 mm)	19 ft 3 in (5 870 mm)	16 ft 2 in (4 920 mm)
E. Dump height	21 ft 0 in (6 390 mm)	21 ft 11 in (6 680 mm)	20 ft 3 in (6 170 mm)
F. Maximum reach height	28 ft 9 in (8 770 mm)	29 ft 8 in (9 050 mm)	28 ft 1 in (8 550 mm)
G. Bucket rotation	178°	178°	178°
H. Maximum vertical wall dig depth	16 ft 3 in (4 950 mm)	17 ft 7 in (5 350 mm)	15 ft 1 in (4 600 mm)
I. Minimum swing radius	7 ft 8 in (2 340 mm)	8 ft 9 in (2 660 mm)	7 ft 9 in (2 360 mm)
J. Blade maximum lift above ground	1 ft 8 in (510 mm)	1 ft 8 in (510 mm)	1 ft 8 in (510 mm)
K. Blade maximum drop below ground	1 ft 9 in (520 mm)	1 ft 9 in (520 mm)	1 ft 9 in (520 mm)
Arm digging force:			
Standard	13,900 lbf (62 kN)	12,600 lbf (56 kN)	15,700 lbf (70 kN)
Auto Power Up	14,800 lbf (66 kN)	13,500 lbf (60 kN)	16,600 lbf (74 kN)
Bucket digging force:			
Standard	20,200 lbf (90 kN)	20,200 lbf (90 kN)	20,200 lbf (90 kN)
Auto Power Up	21,400 lbf (95 kN)	21,400 lbf (95 kN)	21,400 lbf (95 kN)

LIFT CAPACITIES

8 ft 2 in (2.50 m) Arm, Lift capacities using a 900 lb (408 kg) bucket, 4,120 lb (1 870 kg) counterweight, blade up.

Load (Lift Point Height)	MINIMUM REACH			0 ft (0 m)		5 ft (1.5 m)		10 ft (3 m)		15 ft (4.5 m)		20 ft (6 m)		MAXIMUM REACH		
	@	END	SIDE	END	SIDE	END	SIDE	END	SIDE	END	SIDE	END	SIDE	@	END	SIDE
+25 ft (7.5 m)	11 ft 10 in (3.61 m)	6,724 lb* (3 050 kg)*	6,724 lb* (3 050 kg)*											12 ft 1 in (3.69 m)	6,195 lb* (2 810 kg)*	6,195 lb* (2 810 kg)*
+20 ft (6 m)	13 ft 9 in (4.21 m)	7,150 lb* (3 230 kg)*	7,150 lb* (3 230 kg)*							7,350 lb* (3 300 kg)*	7,350 lb* (3 300 kg)*			17 ft 8 in (5.47 m)	4,950 lb* (2 220 kg)*	4,950 lb* (2 220 kg)*
+15 ft (4.5 m)	12 ft 7 in (3.8 m)	7,850 lb* (3 600 kg)*	7,850 lb* (3 600 kg)*							7,750 lb* (3 550 kg)*	7,750 lb* (3 550 kg)*	6,800 lb (3 160 kg)	5,250 lb (2 450 kg)	21 ft 0 in (6.43 m)	4,500 lb* (2 050 kg)*	4,500 lb* (2 050 kg)*
+10 ft (3 m)	7 ft 7 in (2.34 m)	17,000 lb* (7 760 kg)*	17,000 lb* (7 760 kg)*					12,800 lb* (5 980 kg)*	12,800 lb* (5 980 kg)*	9,550 lb* (4 390 kg)*	7,900 lb (3 660 kg)	6,650 lb (3 090 kg)	5,150 lb (2 380 kg)	22 ft 9 in (6.95 m)	4,500 lb* (2 030 kg)*	4,200 lb (1 900 kg)
+5 ft (1.5 m)	9 ft 2 in (2.8 m)	11,750 lb* (5 260 kg)*	11,750 lb* (5 260 kg)*					18,750 lb* (7 770 kg)*	13,300 lb (6 170 kg)	9,900 lb (4 600 kg)	7,400 lb (3 440 kg)	6,450 lb (2 990 kg)	4,950 lb (2 290 kg)	23 ft 4 in (7.11 m)	4,700 lb* (2 120 kg)*	3,950 lb (1 790 kg)
Groundline	7 ft 7 in (2.32 m)	7,400 lb* (3 350 kg)*	7,400 lb* (3 350 kg)*					15,600 lb* (6 740 kg)*	12,700 lb (5 880 kg)	9,550 lb (4 430 kg)	7,100 lb (3 260 kg)	6,300 lb (2 920 kg)	4,800 lb (2 220 kg)	22 ft 9 in (6.94 m)	5,200 lb* (2 360 kg)*	4,000 lb (1 820 kg)
-5 ft (-1.5 m)	2 ft 10 in (0.87 m)	9,950 lb* (4 470 kg)*	9,950 lb* (4 470 kg)*			11,150 lb* (4 960 kg)*	11,150 lb* (4 960 kg)*	18,450 lb (8 620 kg)	12,650 lb (5 880 kg)	9,400 lb (4 360 kg)	6,950 lb (3 230 kg)	6,250 lb (2 890 kg)	4,750 lb (2 200 kg)	21 ft 0 in (6.42 m)	5,850 lb (2 640 kg)	4,450 lb (2 020 kg)
-10 ft (-3 m)	3 ft 9 in (1.13 m)	18,500 lb* (8 210 kg)*	18,500 lb* (8 210 kg)*			20,150 lb* (8 930 kg)*	20,150 lb* (8 930 kg)*	17,700 lb* (8 200 kg)*	12,850 lb (5 970 kg)	9,500 lb (4 410 kg)	7,050 lb (3 260 kg)			17 ft 9 in (5.44 m)	7,500 lb (3 370 kg)	5,700 lb (2 550 kg)

9 ft 10 in (3.01 m) Arm, Lift capacities using a 750 lb (340 kg) bucket, 4,120 lb (1 870 kg) counterweight, blade up.

Load (Lift Point Height)	MINIMUM REACH			0 ft (0 m)		5 ft (1.5 m)		10 ft (3 m)		15 ft (4.5 m)		20 ft (6 m)		25 ft (7.5 m)		MAXIMUM REACH		
	@	END	SIDE	END	SIDE	END	SIDE	END	SIDE	END	SIDE	END	SIDE	END	SIDE	@	END	SIDE
+25 ft (7.5 m)	13 ft 8 in (4.24 m)	6,350 lb* (2 960 kg)*	6,350 lb* (2 960 kg)*							5,468 lb* (2 480 kg)*	5,468 lb* (2 480 kg)*					14 ft 4 in (4.53 m)	5,450 lb* (2 410 kg)*	5,450 lb* (2 410 kg)*
+20 ft (6 m)	15 ft 5 in (4.71 m)	6,150 lb* (2 790 kg)*	6,150 lb* (2 790 kg)*									4,828 lb* (2 190 kg)*	4,828 lb* (2 190 kg)*			19 ft 8 in (6.06 m)	4,450 lb* (2 010 kg)*	4,450 lb* (2 010 kg)*
+15 ft (4.5 m)	14 ft 6 in (4.38 m)	6,600 lb* (3 010 kg)*	6,600 lb* (3 010 kg)*							6,600 lb* (3 020 kg)*	6,600 lb* (3 020 kg)*	6,850 lb (3 120 kg)	5,300 lb (2 460 kg)			22 ft 8 in (6.94 m)	4,150 lb* (1 890 kg)*	4,150 lb* (1 890 kg)*
+10 ft (3 m)	8 ft 11 in (2.58 m)	11,200 lb* (5 400 kg)*	11,200 lb* (5 400 kg)*					10,450 lb* (4 880 kg)*	10,450 lb* (4 880 kg)*	8,450 lb* (3 890 kg)*	7,950 lb (3 690 kg)	6,650 lb (3 090 kg)	5,150 lb (2 380 kg)			24 ft 4 in (7.42 m)	4,150 lb* (1 880 kg)*	3,750 lb (1 690 kg)
+5 ft (1.5 m)	9 ft 0 in (2.74 m)	19,000 lb* (8 420 kg)*	16,000 lb (7 240 kg)					16,750 lb* (7 780 kg)*	13,500 lb (6 260 kg)	9,900 lb (4 610 kg)	7,400 lb (3 440 kg)	6,400 lb (2 980 kg)	4,900 lb (2 270 kg)	4,674 lb (2 120 kg)	3,572 lb (1 620 kg)	24 ft 10 in (7.57 m)	4,300 lb* (1 960 kg)*	3,550 lb (1 600 kg)
Groundline	7 ft 4 in (2.24 m)	7,900 lb* (3 580 kg)*	7,900 lb* (3 580 kg)*					17,250 lb* (7 450 kg)*	12,600 lb (5 850 kg)	9,450 lb (4 390 kg)	7,000 lb (3 250 kg)	6,200 lb (2 880 kg)	4,700 lb (2 180 kg)			24 ft 4 in (7.41 m)	4,700 lb (2 120 kg)	3,550 lb (1 620 kg)
-5 ft (-1.5 m)	1 ft 2 in (0.36 m)	8,300 lb* (3 740 kg)*	8,300 lb* (3 740 kg)*			9,950 lb* (4 440 kg)*	9,950 lb* (4 440 kg)*	18,150 lb (8 490 kg)	12,350 lb (5 750 kg)	9,250 lb (4 290 kg)	6,800 lb (3 150 kg)	6,100 lb (2 820 kg)	4,600 lb (2 130 kg)			22 ft 8 in (6.93 m)	5,100 lb (2 320 kg)	3,900 lb (1 760 kg)
-10 ft (-3 m)	1 ft 11 in (0.57 m)	14,150 lb* (6 310 kg)*	14,150 lb* (6 310 kg)*			17,050 lb* (7 560 kg)*	17,050 lb* (7 560 kg)*	18,300 lb (8 550 kg)	12,500 lb (5 810 kg)	9,250 lb (4 300 kg)	6,800 lb (3 160 kg)	5,688 lb (2 850 kg)	4,762 lb (2 160 kg)			19 ft 8 in (6.04 m)	6,300 lb (2 830 kg)	4,750 lb (2 140 kg)
-15 ft (-4.5 m)	6 ft 10 in (1.93 m)	18,600 lb* (9 150 kg)*	18,600 lb* (9 150 kg)*					13,700 lb* (6 480 kg)*	12,950 lb (6 010 kg)							14 ft 5 in (4.49 m)	8,850 lb* (4 010 kg)*	7,600 lb (3 320 kg)

6 ft 11 in (2.11 m) Arm, Lift capacities using a 900 lb (408 kg) bucket, 4,120 lb (1 870 kg) counterweight, blade up.

Load (Lift Point Height)	MINIMUM REACH			0 ft (0 m)		5 ft (1.5 m)		10 ft (3 m)		15 ft (4.5 m)		20 ft (6 m)		MAXIMUM REACH		
	@	END	SIDE	END	SIDE	END	SIDE	END	SIDE	END	SIDE	END	SIDE	@	END	SIDE
+20 ft (6 m)	12 ft 6 in (3.82 m)	7,950 lb* (3 600 kg)*	7,950 lb* (3 600 kg)*							8,350 lb* (3 730 kg)*	8,200 lb (3 730 kg)			16 ft 1 in (5 m)	6,100 lb* (2 740 kg)*	6,100 lb* (2 740 kg)*
+15 ft (4.5 m)	11 ft 1 in (3.31 m)	9,050 lb* (4 180 kg)*	9,050 lb* (4 180 kg)*							8,500 lb* (3 890 kg)*	8,100 lb (3 770 kg)	6,129 lb* (2 780 kg)*	5,247 lb (2 380 kg)	19 ft 8 in (6.04 m)	5,500 lb* (2 480 kg)*	5,250 lb (2 350 kg)
+10 ft (3 m)	8 ft 9 in (2.7 m)	16,850 lb* (7 660 kg)*	16,850 lb* (7 540 kg)*					14,400 lb* (6 740 kg)*	14,250 lb (6 610 kg)	10,150 lb* (4 690 kg)*	7,750 lb (3 580 kg)	6,550 lb (3 040 kg)	5,050 lb (2 340 kg)	21 ft 7 in (6.59 m)	5,400 lb* (2 450 kg)*	4,450 lb (2 020 kg)
+5 ft (1.5 m)	10 ft 2 in (3.1 m)	13,000 lb* (5 830 kg)*	12,600 lb (5 720 kg)							9,750 lb (4 530 kg)	7,300 lb (3 370 kg)	6,350 lb (2 960 kg)	4,850 lb (2 260 kg)	22 ft 2 in (6.76 m)	5,450 lb (2 480 kg)	4,200 lb (1 900 kg)
Groundline	8 ft 10 in (2.68 m)	8,900 lb* (4 030 kg)*	8,900 lb* (4 030 kg)*					13,900 lb* (5 970 kg)*	12,550 lb (5 850 kg)	9,450 lb (4 380 kg)	7,000 lb (3 240 kg)	6,250 lb (2 890 kg)	4,750 lb (2 200 kg)	21 ft 7 in (6.58 m)	5,600 lb (2 550 kg)	4,300 lb (1 940 kg)
-5 ft (-1.5 m)	4 ft 2 in (1.26 m)	11,150 lb* (4 990 kg)*	11,150 lb* (4 990 kg)*			11,800 lb* (5 250 kg)*	11,800 lb* (5 250 kg)*	18,400 lb (8 610 kg)	12,600 lb (5 870 kg)	9,350 lb (4 350 kg)	6,900 lb (3 210 kg)	6,371 lb (2 890 kg)	4,850 lb (2 200 kg)	19 ft 9 in (6.03 m)	6,350 lb (2 880 kg)	4,850 lb (2 190 kg)
-10 ft (-3 m)	5 ft 4 in (1.58 m)	24,250 lb* (10 690 kg)*	24,250 lb* (10 690 kg)*					16,350 lb* (7 570 kg)*	12,900 lb (5 990 kg)	9,550 lb (4 430 kg)	7,100 lb (3 280 kg)			16 ft 2 in (4.97 m)	8,600 lb (3 850 kg)	6,450 lb (2 890 kg)

NOTE: *Following number indicates hydraulic capacity

LIFT CAPACITIES

8 ft 2 in (2.50 m) Arm, Lift capacities using a 900 lb (408 kg) bucket, 4,120 lb (1 870 kg) counterweight, blade down.

Load (Lift Point Height)	MINIMUM REACH			0 ft (0 m)		5 ft (1.5 m)		10 ft (3 m)		15 ft (4.5 m)		20 ft (6 m)		MAXIMUM REACH					
	@	END	SIDE	END	SIDE	END	SIDE	END	SIDE	END	SIDE	END	SIDE	@	END	SIDE			
+25 ft (7.5 m)	11 ft 10 in (3.61 m)	6,724 lb* (3 050 kg)*	6,724 lb* (3 050 kg)*											12 ft 1 in (3.69 m)	6,195 lb* (2 810 kg)*	6,195 lb* (2 810 kg)*			
+20 ft (6 m)	13 ft 9 in (4.21 m)	7,150 lb* (3 230 kg)*	7,150 lb* (3 230 kg)*							7,350 lb* (3 300 kg)*	7,350 lb* (3 300 kg)*			17 ft 8 in (5.47 m)	4,950 lb* (2 220 kg)*	4,950 lb* (2 220 kg)*			
+15 ft (4.5 m)	12 ft 7 in (3.8 m)	7,850 lb* (3 600 kg)*	7,850 lb* (3 600 kg)*							7,750 lb* (3 550 kg)*	7,750 lb* (3 550 kg)*	6,950 lb* (3 160 kg)*	5,600 lb (2 540 kg)	21 ft 0 in (6.43 m)	4,500 lb* (2 050 kg)*	4,500 lb* (2 050 kg)*			
+10 ft (3 m)	7 ft 7 in (2.34 m)	17,000 lb* (7 760 kg)*	17,000 lb* (7 760 kg)*					12,800 lb* (5 880 kg)*	12,800 lb* (5 880 kg)*	9,550 lb* (4 340 kg)*	8,400 lb (3 810 kg)	8,300 lb* (3 760 kg)*	5,450 lb (2 470 kg)	22 ft 9 in (6.94 m)	4,500 lb* (2 030 kg)*	4,450 lb (2 020 kg)			
+5 ft (1.5 m)	9 ft 2 in (2.8 m)	11,750 lb* (5 260 kg)*	11,750 lb* (5 260 kg)*					18,750 lb* (7 770 kg)*	14,400 lb (6 880 kg)	11,750 lb* (5 430 kg)*	7,950 lb (3 670 kg)	9,250 lb* (4 240 kg)*	5,250 lb (2 440 kg)	23 ft 4 in (7.11 m)	4,700 lb* (2 120 kg)*	4,200 lb (1 910 kg)			
Groundline	7 ft 7 in (2.32 m)	7,400 lb* (3 350 kg)*	7,400 lb* (3 350 kg)*					15,600 lb* (7 070 kg)*	13,800 lb (6 260 kg)	13,300 lb* (6 030 kg)*	7,600 lb (3 450 kg)	9,900 lb* (4 500 kg)*	5,100 lb (2 310 kg)	22 ft 9 in (6.94 m)	5,200 lb* (2 360 kg)*	4,300 lb (1 940 kg)			
-5 ft (-1.5 m)	2 ft 10 in (0.87 m)	9,950 lb* (4 470 kg)*	9,950 lb* (4 470 kg)*					11,150 lb* (4 960 kg)*	11,150 lb* (4 960 kg)*	20,450 lb* (9 240 kg)*	13,700 lb (6 380 kg)	13,550 lb* (6 250 kg)*	7,450 lb (3 460 kg)	9,800 lb* (4 540 kg)*	5,050 lb (2 340 kg)	21 ft 0 in (6.42 m)	6,250 lb* (2 830 kg)*	4,750 lb (2 150 kg)	
-10 ft (-3 m)	3 ft 9 in (1.13 m)	18,500 lb* (8 210 kg)*	18,500 lb* (8 210 kg)*					20,150 lb* (8 930 kg)*	20,150 lb* (8 930 kg)*	17,700 lb* (8 200 kg)*	13,900 lb (6 480 kg)	11,950 lb* (5 560 kg)*	7,550 lb (3 500 kg)				17 ft 9 in (5.44 m)	8,900 lb* (3 980 kg)*	6,050 lb (2 720 kg)

9 ft 10 in (3.01 m) Arm, Lift capacities using a 750 lb (340 kg) bucket, 4,120 lb (1 870 kg) counterweight, blade down.

Load (Lift Point Height)	MINIMUM REACH			0 ft (0 m)		5 ft (1.5 m)		10 ft (3 m)		15 ft (4.5 m)		20 ft (6 m)		25 ft (7.5 m)		MAXIMUM REACH		
	@	END	SIDE	END	SIDE	END	SIDE	END	SIDE	END	SIDE	END	SIDE	END	SIDE	@	END	SIDE
+25 ft (7.5 m)	13 ft 8 in (4.24 m)	6,350 lb* (2 960 kg)*	6,350 lb* (2 960 kg)*							5,467 lb* (2 480 kg)*	5,467 lb* (2 480 kg)*					14 ft 4 in (4.53 m)	5,450 lb* (2 410 kg)*	5,450 lb* (2 410 kg)*
+20 ft (6 m)	15 ft 5 in (4.71 m)	6,150 lb* (2 790 kg)*	6,150 lb* (2 790 kg)*									4,828 lb* (2 190 kg)*	4,828 lb* (2 190 kg)*			19 ft 8 in (6.06 m)	4,450 lb* (2 010 kg)*	4,450 lb* (2 010 kg)*
+15 ft (4.5 m)	14 ft 6 in (4.38 m)	6,600 lb* (3 010 kg)*	6,600 lb* (3 010 kg)*							6,600 lb* (3 020 kg)*	6,600 lb* (3 020 kg)*	6,900 lb* (3 120 kg)*	5,600 lb (2 610 kg)			22 ft 8 in (6.94 m)	4,150 lb* (1 890 kg)*	4,150 lb* (1 890 kg)*
+10 ft (3 m)	8 ft 11 in (2.58 m)	11,200 lb* (5 400 kg)*	11,200 lb* (5 400 kg)*					10,450 lb* (4 880 kg)*	10,450 lb* (4 880 kg)*	8,450 lb* (3 890 kg)*	8,450 lb* (3 890 kg)*	7,550 lb* (3 470 kg)*	5,450 lb (2 530 kg)			24 ft 4 in (7.42 m)	4,150 lb* (1 880 kg)*	4,000 lb (1 800 kg)
+5 ft (1.5 m)	9 ft 0 in (2.74 m)	19,000 lb* (8 420 kg)*	17,400 lb (7 880 kg)					16,750 lb* (7 780 kg)*	14,600 lb (6 780 kg)	10,800 lb* (5 000 kg)*	7,950 lb (3 680 kg)	8,600 lb* (3 960 kg)*	5,200 lb (2 420 kg)	5,027 lb* (2 280 kg)*	3,814 lb (1 730 kg)	24 ft 10 in (7.57 m)	4,300 lb* (1 960 kg)*	3,750 lb (1 710 kg)
Groundline	7 ft 4 in (2.24 m)	7,900 lb* (3 580 kg)*	7,900 lb* (3 580 kg)*					17,250 lb* (7 450 kg)*	13,650 lb (6 360 kg)	12,700 lb* (5 870 kg)*	7,500 lb (3 480 kg)	9,550 lb* (4 390 kg)*	5,000 lb (2 330 kg)			24 ft 4 in (7.41 m)	4,750 lb* (2 160 kg)*	3,800 lb (1 730 kg)
-5 ft (-1.5 m)	1 ft 2 in (0.36 m)	8,300 lb* (3 740 kg)*	8,300 lb* (3 740 kg)*			9,950 lb* (4 440 kg)*	9,950 lb* (4 440 kg)*	20,650 lb* (9 360 kg)*	13,450 lb (6 250 kg)	13,400 lb* (6 190 kg)*	7,300 lb (3 390 kg)	9,800 lb* (4 530 kg)*	4,900 lb (2 280 kg)			22 ft 8 in (6.93 m)	5,650 lb* (2 540 kg)*	4,150 lb (1 880 kg)
-10 ft (-3 m)	1 ft 11 in (0.57 m)	14,150 lb* (6 310 kg)*	14,150 lb* (6 310 kg)*			17,050 lb* (7 560 kg)*	17,050 lb* (7 560 kg)*	18,800 lb* (8 690 kg)*	13,550 lb (6 310 kg)	12,550 lb* (5 820 kg)*	7,300 lb (3 390 kg)	8,201 lb (3 720 kg)	5,093 lb (2 310 kg)			19 ft 8 in (6.04 m)	7,600 lb* (3 490 kg)*	5,100 lb (2 290 kg)
-15 ft (-4.5 m)	6 ft 10 in (1.93 m)	18,600 lb* (9 150 kg)*	18,600 lb* (9 150 kg)*					13,700 lb* (6 480 kg)*	13,700 lb* (6 480 kg)*							14 ft 5 in (4.49 m)	8,850 lb* (4 010 kg)*	8,150 lb (3 560 kg)

6 ft 11 in (2.11 m) Arm, Lift capacities using a 900 lb (408 kg) bucket, 4,120 lb (1 870 kg) counterweight, blade down.

Load (Lift Point Height)	MINIMUM REACH			0 ft (0 m)		5 ft (1.5 m)		10 ft (3 m)		15 ft (4.5 m)		20 ft (6 m)		MAXIMUM REACH		
	@	END	SIDE	END	SIDE	END	SIDE	END	SIDE	END	SIDE	END	SIDE	@	END	SIDE
+20 ft (6 m)	12 ft 6 in (3.82 m)	7,950 lb* (3 600 kg)*	7,950 lb* (3 600 kg)*							8,350 lb* (3 730 kg)*	8,350 lb* (3 730 kg)*			16 ft 1 in (5 m)	6,100 lb* (2 740 kg)*	6,100 lb* (2 740 kg)*
+15 ft (4.5 m)	11 ft 1 in (3.31 m)	9,050 lb* (4 180 kg)*	9,050 lb* (4 180 kg)*							8,500 lb* (3 890 kg)*	8,500 lb* (3 890 kg)*	6,129 lb* (2 780 kg)*	5,578 lb (2 530 kg)	19 ft 8 in (6.04 m)	5,500 lb* (2 480 kg)*	5,500 lb* (2 480 kg)*
+10 ft (3 m)	8 ft 9 in (2.7 m)	16,850 lb* (7 660 kg)*	16,850 lb* (7 660 kg)*					14,400 lb* (6 740 kg)*	14,400 lb* (6 740 kg)*	10,150 lb* (4 690 kg)*	8,250 lb (3 820 kg)	8,750 lb* (4 000 kg)*	5,350 lb (2 490 kg)	21 ft 7 in (6.59 m)	5,400 lb* (2 450 kg)*	4,750 lb (2 150 kg)
+5 ft (1.5 m)	10 ft 2 in (3.1 m)	13,000 lb* (5 830 kg)*	13,000 lb* (5 830 kg)*							12,200 lb* (5 650 kg)*	7,800 lb (3 610 kg)	9,500 lb* (4 370 kg)*	5,200 lb (2 410 kg)	22 ft 2 in (6.76 m)	5,650 lb* (2 570 kg)*	4,450 lb (2 030 kg)
Groundline	8 ft 10 in (2.68 m)	8,900 lb* (4 030 kg)*	8,900 lb* (4 030 kg)*					13,900 lb* (5 970 kg)*	13,650 lb (5 970 kg)	13,450 lb* (6 210 kg)*	7,500 lb (3 470 kg)	10,000 lb* (4 600 kg)*	5,050 lb (2 350 kg)	21 ft 7 in (6.58 m)	6,300 lb* (2 860 kg)*	4,550 lb (2 070 kg)
-5 ft (-1.5 m)	4 ft 2 in (1.26 m)	11,150 lb* (4 990 kg)*	11,150 lb* (4 990 kg)*			11,800 lb* (5 250 kg)*	11,800 lb* (5 250 kg)*	19,700 lb* (9 080 kg)*	13,700 lb (6 370 kg)	13,300 lb* (6 140 kg)*	7,400 lb (3 440 kg)	8,576 lb* (3 890 kg)*	5,181 lb (2 350 kg)	19 ft 9 in (6.03 m)	7,700 lb* (3 490 kg)*	5,150 lb (2 330 kg)
-10 ft (-3 m)	5 ft 4 in (1.58 m)	24,250 lb* (10 690 kg)*	24,250 lb* (10 690 kg)*					16,350 lb* (7 570 kg)*	13,950 lb (6 500 kg)	10,900 lb* (5 120 kg)*	7,600 lb (3 520 kg)			16 ft 2 in (4.97 m)	9,600 lb* (4 360 kg)*	6,900 lb (3 090 kg)

NOTE: *Following number indicates hydraulic capacity

STANDARD EQUIPMENT

ENGINE

FPT NEF4
Tier 4 Final/Stage V Certified
ATS
Selective Catalytic Reduction
on Filter – SCRoF
Four-cylinder turbo-charged diesel
Fixed geometry turbocharger
High pressure common rail
system - electronic
Neutral safety start
Auto-engine warm up
Air intake heater
Fuel Economy Assist System – FEA
Engine Protection Feature – EPF
Dual-stage fuel filtration
Dual element air filter
Remote oil filter
Drain for fuel tank
1,000-hour engine oil/filter interval
24-volt system
Engine oil sample port
Battery disconnect switch
Emergency engine stop
External Fuel and DEF gauges
Fan housing
Fuel cooler
Fuel filter restriction indicator
Fuel shut-off valve
Radiator, oil cooler,
intercooler – protective chaff screen

FUEL ECONOMY SYSTEMS

Engine Idle/Fuel Economy System:
Auto-idle
One-touch idle
Timed engine shut down
BEC – Boom Economy Control
AEC – Auto Economy Control
SWC – Swing Relief Control
SSC – Spool Stroke Control

HYDRAULICS

Boom/Arm/Bucket/Swing:
Pilot pressure control system
(ISO or SAE control pattern)
Work mode select:
1 SP – mode
2 Power – mode
3 Eco – mode
4 Lift – mode
Travel mode select – 2-speed travel with
auto downshift
Attachment cushion control
Hydraulic lock – gate lock, left side tilt console
Single pedal travel
Custom flow balance adjustment:
Arm in vs. boom up
Arm in vs. swing
Multi-function with electronic pressure
and flow control/joystick activated
with electronic configurable
proportional controls

UPPER STRUCTURE

ISO mirrors – 3
Cab ISO-Mounts – fluid and spring
Upper mounted work light – 70 watt
Swivel guard belly pan
Center cover – over main CV
Fuel tank belly pan
Handrail – RH access
ISO guard rails
Lifting eyes for counterweight
Lockable fuel cap, service doors and tool box

ATTACHMENTS

Boom – 15 ft 2 in (4.63 m)
Arm – 8 ft 2 in (2.50 m)
Heavy-duty bucket linkage
Boom mounted work light – 70 watt
Auxiliary pipe brackets
Centralized grease fittings
Attachment cushion valve
Arm and boom regeneration
Bucket anti-clatter device
Chrome pins
Easy Maintenance System (EMS) bushings
Teardrop pin retention keepers

OPERATOR ENVIRONMENT

Operators cab:
Smooth and round shape design cab,
fabricated by press work
Safety glass for all windows
Shock-less cab suspension by 4-point
fluid mounting
Sliding front window with auto lock
10 in Full-color LCD monitor display
Membrane switch on monitor display with
5 configurable button on bottom
of monitor
Switch panel – including throttle dial with
eco-mode switch
Windshield wiper & washer
AM/FM/Bluetooth Radio with
hands-free phone
Sectioned floor mat
Polycarbonate roof hatch & Sun shade
Auto climate control
Roll-over protective structure – ROPS
Top guard OPG level 1 – in cab structure
Operator's seat:
Low frequency air suspension with
air springs and double acting
hydraulic damper
With following features:
Manual weight adjustment
Backrest angle adjustment
Seat height adjustment
Adjustable armrest – Angle and height
Adjustable headrest
Retractable seat belt
Adjustable lumbar support
Console mount on suspension
Control consoles adjust
independently of seat
Others:
Rear view mirror – Cab side & Right side
Rear & Right-side view Camera

UNDERCARRIAGE

Travel motor	Variable displacement axial piston motor
Brake	Mechanical disc brake
Hydraulic service brake	Brake valve
Final drive	Planetary gear reduction
Travel speeds:	
High	3.5 mph (5.7 km/h) (Automatic travel speed downshifting)
Low	2.1 mph (3.4 km/h)
Drawbar pull	26,300 lbf (117 kN)
Number of carrier rollers	2 – each side
Number of track rollers	7 – each side
Number of shoes	43 – each side
Type of shoe	Triple semi-grouser shoe
Link pitch	6.75 in (171.5 mm)
Width of shoe	23.6 in (600 mm) S.T.D
Grade-ability	70% (35°)

FRONT DOZER BLADE

8 ft 6 in (2.59 m) width – comes with
23.6 in (600 mm) steel shoes

TELEMATICS

CASE SiteWatch™ Telematics – includes
hardware and a 3-yr Advanced
data subscription for 2-way communication

OPTIONAL EQUIPMENT

ENGINE

Refueling pump
Air pre-cleaner – Cyclone
High ambient temperature cooling package

HYDRAULICS

Auxiliary hydraulics:
Proportionally controlled secondary low-flow auxiliary hydraulics
Hose Burst Check Valve – HBCV

MACHINE CONTROL

Leica iCON iXE2 – 2D System
Leica iCON iXE3 – 3D System

ATTACHMENTS

Heavy-duty arm – 6 ft 11 in (2.11 m)
Long arm – 9 ft 11 in (3.01 m)
Quick coupler/Case multi-pin grabber
Tools:
Heavy-duty/Extreme-duty/Ditching
Buckets; Hammers; Thumbs;
Compaction plates.

UPPER STRUCTURE

Rubber bumper guard – order through
Service Parts

UNDERCARRIAGE

19.7 in (500 mm) rubber link chain, bolt-on
rubber pads on steel chain
27.6 in (700 mm) steel shoes,
triple semi-grouser
Double track chain guides

OPERATOR ENVIRONMENT

FOPS cab top guard – Level 2
Front grill guard – 2 x 2 in (50.8 x 50.8 mm)
screen mesh
Front rock guard – vertical bars
Two piece/OPG 1
Front rock guard – vertical bars
One piece/OPG 2
Vandal guard (front window) with
common key
Rain deflector – not available with
Front guards
Sun visor
Max View Monitor - 3 cameras with
270-degree view
LED Package:
8 LED Lights - 2 front cab mounted, 2 rear
mounted, 1 mounted on boom, 1 mounted
on house, and 1 mounted on each side

FRONT DOZER BLADE

Hydraulically controlled front dozer blade:
8 ft 2 in (2.49 m) width – comes with
19.7 in (500 mm) rubber link chain
8 ft 10 in (2.69 m) width – comes with
27.6 in (700 mm) steel shoes

CaseCE.com

©2022 CNH Industrial America LLC. All rights reserved. CASE is a trademark registered in the United States and many other countries, owned by or licensed to CNH Industrial N.V., its subsidiaries or affiliates. CNH Industrial Capital is a trademark in the United States and many other countries, owned by or licensed to CNH Industrial N.V., its subsidiaries or affiliates. Printed in U.S.A. Contains 10% post-consumer fiber.

IMPORTANT: CASE Construction Equipment Inc. reserves the right to change these specifications without notice and without incurring any obligation relating to such change. Availability of some models and equipment builds vary according to the country in which the equipment is used. The illustrations and text may include optional equipment and accessories and may not include all standard equipment. Your CASE dealer/distributor will be able to give you details of the products and their specifications available in your area.



CASE Construction Equipment is biodiesel-friendly. NOTE: All engines meet current EPA emissions regulations. All specifications are stated in accordance with SAE Standards or Recommended Practices, where applicable.



Always read the Operator's Manual before operating any equipment. Inspect equipment before using it, and be sure it is operating properly. Follow the product safety signs and use any safety features provided.

Form No. CCE202209CX140EDZ

CX140E DZ

7 of 7