

ENGINE

Model	FPT NEF6
Emissions Certification	Tier 4 Final/Stage V
Fuel	Requires ultra-low sulfur fuel B5 biodiesel tolerant
Type	Water-cooled, 4-cycle diesel, high pressure common rail system – electric control. Fixed geometry turbocharger w/ air cooled intercooler, ATS, EGR-free
Cylinders	6-cylinder in-line
Piston displacement	411 in ³ (6.728 L)
Bore/Stroke	4.09 x 5.2 in (104 x 132 mm)
Fuel injection	High pressure common rail system – electronic
Fuel filter	Replaceable, full flow spin-on cartridge
Air filter	Dry type dual element w/ warning restriction indicator
Oil filter	Replaceable, full flow spin-on cartridge
Engine gradeability:	
Side-to-side	35°
Fore and aft	35°
Rated flywheel horse power – SAE J1349 @ 1800 RPM:	
ISO 9249	162 hp (120.4 kW)
ISO 14396	166 hp (124 kW)
Net max. torque – SAE J1349 @ 1600 RPM:	
ISO 9249	475 lbf-ft (644 N-m)
ISO 14396	485 lbf-ft (657 N-m)
Cooling operating range:	
	113° to -4°F (45° to -20°C)
Oil	Requires low-ash oil CJ-4

DRIVETRAIN

Travel control	Dual stage relief/ counter balance design
Brakes	Mechanical disc
Two speed travel:	
Max. high speed	3.5 mph (5.6 km/h)
Max. low speed	2.1 mph (3.4 km/h)
Automatic downshift	
Drawbar pull	42,300 lbf (188 kN)
Gradeability	70% – 35° Slope

ELECTRICAL

Voltage	24 Volts
Alternator rating	90 amp
Batteries	2 x 12 Volt
Battery reserve capacity	92 Ah/5 hour
Work lights – 4 1 boom, 1 upper, 2 cab	24 Volt/70 watt
Starter	24 V (4.0 kW)

OPERATOR ENVIRONMENT

Air conditioner output	18,100 BTU/hr
Heater output	20,150 BTU/hr
Sound level inside cab – ISO6396	70 dBA
Electrical outlet	12 Volt
Cab interior light	10 watt
Rear and side view cameras	

Operator's Cab:

Smooth and round shape design cab; Safety glass for all windows; Shock-less cab suspension by 4-point fluid mounting; Sliding front window w/ auto lock; 10" Full-color LCD monitor display; Membrane switch on monitor display; Switch panel (including throttle dial w/ eco-mode switch); Windshield wiper & washer; AM/FM/Bluetooth Radio w/ hands-free phone; Sectioned floor mat; Polycarbonate roof hatch & Sun shade; Auto air conditioner; Roll-over protective structure (ROPS); Top guard OPG level 1 (in cab structure).

Seat:

Low frequency air suspension w/ air springs and double acting hydraulic damper; Manual weight adjustment; Backrest angle adjustment; Seat height adjustment; Adjustable armrest (Angle and height); Adjustable headrest; Retractable seat belt; Adjustable lumbar support; Console mount on suspension; Control consoles adjust independently of seat.

ATTACHMENT

Boom	18 ft 8 in (5.70 m)
Arm options:	
Standard	9 ft 8 in (2.94 m)
Heavy-duty	7 ft 11 in (2.40 m)
Bucket digging force*:	
7 ft 11 in (2.40 m) Arm:	
Arm digging force	27,700 lbf (123 kN)
w/ auto power up	29,900 lbf (133 kN)
9 ft 8 in (2.94 m) Arm:	
Arm digging force	23,200 lbf (103 kN)
w/ auto power up	25,200 lbf (112 kN)

NOTE: *Digging force ratings based on ISO6015.

OPERATING WEIGHT

Operating weight	50,000 lb (22 700 kg)
w/ shoes	2 ft 6.25 in (800 mm)
w/ boom	18 ft 8 in (5.7 m)
w/ arm	9 ft 8 in (2.94 m)
w/ bucket	1,433 lb (650 kg)
w/ counterweight	9,480 lb (4 300 kg)

NOTE: W/ operator/full fuel/standard equipment.

GROUND PRESSURE

@ Standard operating weight 5.08 psi (0.35 bar)
w/ 31.5 in (800 mm) triple semi-grouser shoes

HYDRAULICS

System design	Open center
Main pumps	Two-variable displacement/ axial piston pumps w/ regulating system
Max. rated flow x 2	55.7 gpm (211 L/min) @ 1,800 RPM
System pressures:	
Boom/Arm/Bucket:	4,970 psi (343 bar, 350 kgf/cm ²)
Power Boost:	5,410 psi (373 bar, 380 kgf/cm ²)
Swing circuit	4,260 psi (294 bar, 300 kgf/cm ²)
Travel circuit:	4,970 psi (343 bar, 350 kgf/cm ²)
Pilot pump	1 x gear design
Max. capacity	4.8 gpm (18 L/min)
Pilot system working pressure:	570 psi (39 bar, 40 kgf/cm ²)

Control valve w/ boom/arm holding valve:	
Right track travel, bucket, boom and arm acceleration.	1 x Four-spool section
Left track travel, auxiliary, swing, boom and arm acceleration.	1 x Five-spool section
Work mode selections	SP – Mode Power – Mode Eco – Mode Lift – Mode

Swing motor	Fixed displacement axial piston
Swing brake	Mechanical disc brake
Turn table bearing	Ball bearing type w/ internal gear
Swing final drive	Planetary gear reduction
Travel motor	Two-speed independent travel/axial piston

HYDRAULIC CYLINDERS

Boom cylinders	Two (2)
Cylinder bore	4.7 in (120 mm)
Cylinder rod diameter	3.3 in (85 mm)
Cylinder stroke	49.4 in (1 255 mm)
Arm cylinder	One (1)
Cylinder bore	5.5 in (140 mm)
Cylinder rod diameter	3.9 in (100 mm)
Cylinder stroke	57.5 in (1 460 mm)
Bucket cylinder	One (1)
Cylinder bore	4.7 in (120 mm)
Cylinder rod diameter	3.3 in (85 mm)
Cylinder stroke	39.8 in (1 010 mm)

SERVICE CAPACITIES

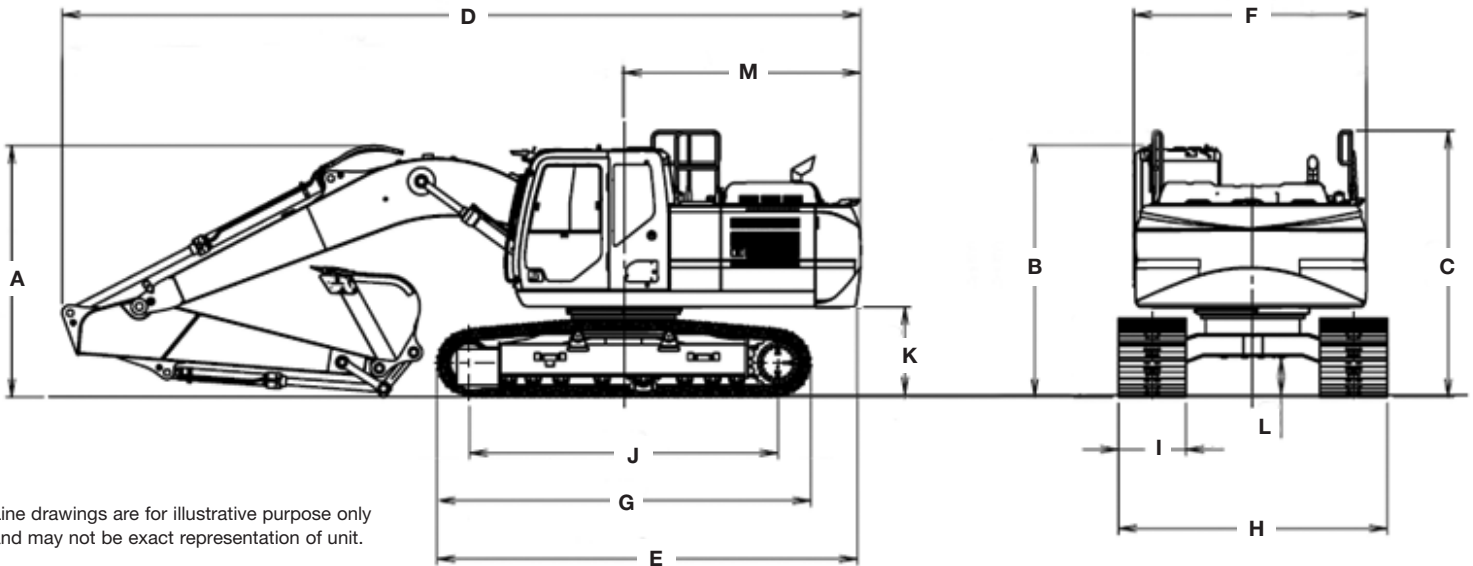
Fuel tank	108 gal (410.0 L)
Hydraulic system	74 gal (280.0 L)
Hydraulic Sump tank	43 gal (162.0 L)
Engine oil w/ filter	3.9 gal (14.6 L)
Swing drive	1.3 gal (5.0 L)
Final drive	1.3 gal (5.0 L)
DEF Tank	22 gal (84.0 L)

COOLING SYSTEM

Fan	f 25.6 in (650 mm) with 9-blades
Radiator capacity	66,640 kcal/h (77.5 kW)
Fin type	Corrugated fin (wavy type)
Fin space	0.069 in (1.75 mm)
Long life coolant	Coolant 55%, Water 45%
Oil cooler capacity	49,010 kcal/h (57.0 kW)
Fin type	Corrugated fin (wavy type)
Fin space	0.069 in (1.75 mm)
Intercooler capacity	15,910 kcal/h (18.5 kW)
Fin type	Corrugated fin (wavy type)
Fin space	0.069 in (1.75 mm)
Fuel cooler capacity	1,110 kcal/h (1.3 kW)
Fin type	Corrugated fin (wavy type)
Fin space	0.079 in (2.0 mm)
Filters:	
Suction filter	105 microns
Return filter	6 microns
Pilot line filter	8 microns

OTHER SPECIFICATIONS

Swing speed	11.5 RPM
Swing torque	47,200 lbf-ft (64 kN-m)
Swing brake	Mechanical disc
Undercarriage:	
Length	14 ft 8 in (4 470 mm)
Track gauge	7 ft 10 in (2 390 mm)
Carrier rollers	2
Track rollers	8
Shoes – triple grouser	49
Shoe width – std.	2 ft 7 in (800 mm)
Link pitch	7.5 in (190 mm)
Track:	
Chain	Grease lubricated/strutted
Guides	Single
Adjustment	Hydraulic

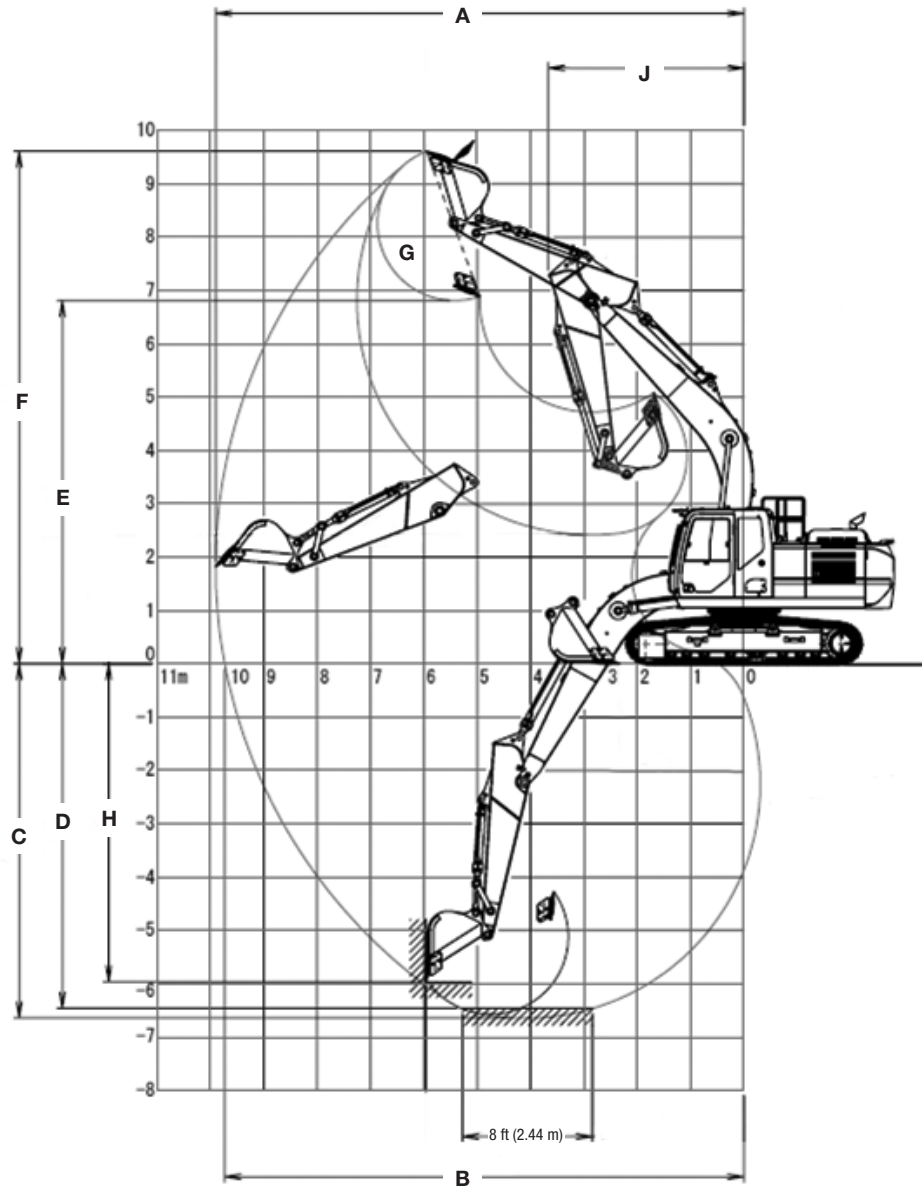


Line drawings are for illustrative purpose only and may not be exact representation of unit.

DIMENSIONS

	9 ft 8 in (2.94 m) Arm	7 ft 11 in (2.40 m) Arm
A. Overall height – with attachment	9 ft 8 in (2 980 mm)	10 ft 5 in (3 170 mm)
B. Cab height	9 ft 9 in (2 990 mm)	9 ft 9 in (2 990 mm)
C. Overall height to top of guardrail	12 ft 4 in (3 150 mm)	12 ft 4 in (3 150 mm)
D. Overall length – with attachment	31 ft 1 in (9 470 mm)	31 ft 4 in (9 550 mm)
E. Overall length – without attachment	16 ft 7 in (5 050 mm)	16 ft 7 in (5 050 mm)
F. Width of upper structure	9 ft 1 in (2 760 mm)	9 ft 1 in (2 760 mm)
G. Track overall length	14 ft 7 in (4 470 mm)	14 ft 7 in (4 470 mm)
H. Track overall width with 36.5 in (800 mm) shoes	10 ft 5 in (3 190 mm)	10 ft 5 in (3 190 mm)
I. Track shoe width	2 ft 2 in (800 mm)	2 ft 2 in (800 mm)
J. Center to center – idler to sprocket	12 ft 0 in (3 660 mm)	12 ft 0 in (3 660 mm)
K. Upper structure ground clearance	3 ft 5 in (1 040 mm)	3 ft 5 in (1 040 mm)
L. Minimum ground clearance	1 ft 4 in (440 mm)	1 ft 4 in (440 mm)
M. Rear tail swing radius	9 ft 3 in (2 830 mm)	9 ft 3 in (2 830 mm)
Operating weight*	48,900 lb (22 200 kg)	48,848 lb (22 181 kg)
Ground pressure	4.93 psi (0.34 bar)	4.93 psi (0.34 bar)
Track gauge	7 ft 10 in (2 390 mm)	7 ft 10 in (2 390 mm)
Crawler tracks height	3 ft 0 in (920 mm)	3 ft 0 in (920 mm)

NOTE: *With 18 ft 8 in (5.70 m) boom, 31.5 in (800 mm) track shoe, 1,433 lb (650 kg) bucket, 165 lb (75 kg) operator, full fuel and standard equipment.



PERFORMANCE SPECS

	9 ft 8 in (2.94 m) Arm	7 ft 11 in (2.40 m) Arm
A. Maximum dig radius	32 ft 6 in (9 900 mm)	30 ft 11 in (9 420 mm)
B. Maximum reach at GRP	31 ft 11 in (9 730 mm)	30 ft 4 in (9 240 mm)
C. Maximum dig depth	21 ft 9 in (6 640 mm)	20 ft 1 in (6 110 mm)
D. Dig depth – 8 ft 0 in (2.44 m) level bottom	21 ft 2 in (6 470 mm)	19 ft 4 in (5 900 mm)
E. Dump height	22 ft 3 in (6 810 mm)	21 ft 6 in (6 590 mm)
F. Maximum reach height	32 ft 6 in (9 900 mm)	30 ft 11 in (9 420 mm)
G. Bucket rotation	177°	177°
H. Maximum vertical wall dig depth	19 ft 6 in (5 960 mm)	17 ft 11 in (5 480 mm)
J. Minimum swing radius	12 ft 0 in (3 660 mm)	11 ft 11 in (3 620 mm)
Arm digging force:		
Standard	23,200 lbf (103 kN)	27,700 lbf (123 kN)
Power Boost	25,200 lbf (112 kN)	29,900 lbf (123 kN)
Bucket digging force:		
Standard	31,900 lbf (142 kN)	31,900 lbf (142 kN)
Power Boost	34,621 lbf (154 kN)	34,621 lbf (154 kN)
Boom length	18 ft 8 in (5 700 mm)	18 ft 8 in (5 700 mm)
Bucket radius	4 ft 9 in (1 450 mm)	4 ft 9 in (1 450 mm)

LIFT CAPACITIES

9 ft 8 in (2.94 m) Lift capacities using a 1,433 lb (650 kg) bucket, 8,642 lb (3 920 kg) counterweight.

Load (Lift Point Height)	MINIMUM REACH			0 ft (0 m)		5 ft (1.5 m)		10 ft (3 m)		15 ft (4.5 m)		20 ft (6 m)		25 ft (7.5 m)		MAXIMUM REACH		
	@	END	SIDE	END	SIDE	END	SIDE	END	SIDE	END	SIDE	END	SIDE	END	SIDE	@	END	SIDE
+25 ft (7.5 m)	16 ft 10 in (5 m)	12,600 lb* (5 715 kg)*	12,600 lb* (5 715 kg)*													17 ft 9 in (5.4 m)	12,900 lb* (5 851 kg)*	12,900 lb* (5 851 kg)*
+20 ft (6 m)	16 ft 11 in (5 m)	12,450 lb* (5 647 kg)*	12,450 lb* (5 647 kg)*									12,300 lb* (5 579 kg)*	12,300 lb* (5 579 kg)*			22 ft 0 in (6.7 m)	12,250 lb* (5 557 kg)*	10,750 lb (4 876 kg)
+15 ft (4.5 m)	12 ft 3 in (3.73 m)	17,450 lb* (7 915 kg)*	17,450 lb* (7 915 kg)*							15,250 lb* (6 917 kg)*	15,250 lb* (6 917 kg)*	13,200 lb* (5 987 kg)*	12,300 lb (5 579 kg)			24 ft 6 in (7.46 m)	11,950 lb* (5 420 kg)*	8,950 lb (4 060 kg)
+10 ft (3 m)	12 ft 5 in (3.8 m)	23,950 lb* (10 864 kg)*	23,500 lb (10 659 kg)							19,150 lb* (8 686 kg)*	17,800 lb (8 074 kg)	14,900 lb* (6 759 kg)*	11,800 lb (5 352 kg)	12,550 lb (5 693 kg)	8,550 lb (3 878 kg)	25 ft 10 in (7.87 m)	11,950 lb (5 420 kg)	8,100 lb (3 674 kg)
+5 ft (1.5 m)	13 ft 0 in (4 m)	25,150 lb* (11 408 kg)*	20,600 lb (9 344 kg)							22,600 lb* (10 251 kg)*	16,800 lb (7 620 kg)	16,600 lb* (7 530 kg)*	11,300 lb (5 126 kg)	12,350 lb (5 602 kg)	8,350 lb (3 787 kg)	26 ft 2 in (7.97 m)	11,550 lb (5 239 kg)	7,850 lb (3 561 kg)
Groundline	11 ft 7 in (3.6 m)	18,450 lb* (8 369 kg)*	18,450 lb* (8 369 kg)*							24,100 lb* (10 932 kg)*	16,350 lb (7 416 kg)	16,800 lb (7 620 kg)	11,000 lb (4 990 kg)	12,200 lb (5 534 kg)	8,200 lb (3 719 kg)	25 ft 5 in (7.75 m)	11,900 lb (5 398 kg)	8,000 lb (3 629 kg)
-5 ft (-1.5 m)	6 ft 9 in (2 m)	17,000 lb* (7 711 kg)*	17,000 lb* (7 711 kg)*					26,450 lb* (11 998 kg)*	26,450 lb* (11 998 kg)*	23,750 lb* (10 773 kg)*	16,300 lb (7 394 kg)	16,700 lb (7 575 kg)	10,950 lb (4 967 kg)			23 ft 8 in (7.2 m)	13,150 lb (5 965 kg)	8,800 lb (3 992 kg)
-10 ft (-3 m)	5 ft 11 in (1.8 m)	33,050 lb* (14 991 kg)*	33,050 lb* (14 991 kg)*					29,750 lb* (13 494 kg)*	29,750 lb* (13 494 kg)*	21,550 lb* (9 775 kg)*	16,550 lb (7 507 kg)	15,650 lb* (7 099 kg)*	11,150 lb (5 058 kg)			20 ft 7 in (6.28 m)	14,900 lb* (6 759 kg)*	10,750 lb (4 876 kg)
-15 ft (-4.5 m)	11 ft 4 in (3.45 m)	20,050 lb* (9 095 kg)*	20,050 lb* (9 095 kg)*							15,150 lb* (6 872 kg)*	15,150 lb* (6 872 kg)*					15 ft 5 in (4.7 m)	14,550 lb* (6 600 kg)*	14,550 lb* (6 600 kg)*

7 ft 11 in (2.40 m) Lift capacities using a 1,543 lb (700 kg) bucket, 8,642 lb (3 920 kg) counterweight.

Load (Lift Point Height)	MINIMUM REACH			0 ft (0 m)		5 ft (1.5 m)		10 ft (3 m)		15 ft (4.5 m)		20 ft (6 m)		25 ft (7.5 m)		MAXIMUM REACH		
	@	END	SIDE	END	SIDE	END	SIDE	END	SIDE	END	SIDE	END	SIDE	END	SIDE	@	END	SIDE
+25 ft (7.5 m)	18 ft 8 in (5.7 m)	11,250 lb* (5 103 kg)*	11,250 lb* (5 103 kg)*									9,150 lb* (4 150 kg)*	9,150 lb* (4 150 kg)*			20 ft 1 in (6.1 m)	8,950 lb* (4 060 kg)*	8,950 lb* (4 060 kg)*
+20 ft (6 m)	18 ft 9 in (18.7 m)	11,150 lb* (5 103 kg)*	11,150 lb* (5 103 kg)*									11,150 lb* (4 150 kg)*	11,150 lb* (4 150 kg)*			23 ft 10 in (6.1 m)	8,300 lb* (4 060 kg)*	8,300 lb* (4 060 kg)*
+15 ft (4.5 m)	15 ft 8 in (4.77 m)	13,450 lb* (6 101 kg)*	13,450 lb* (6 101 kg)*									12,250 lb* (5 557 kg)*	12,250 lb* (5 557 kg)*	11,650 lb* (5 284 kg)*	8,900 lb (4 037 kg)	26 ft 2 in (7.97 m)	8,100 lb* (3 674 kg)*	8,100 lb* (3 674 kg)*
+10 ft (3 m)	10 ft 0 in (3.05 m)	27,950 lb* (12 678 kg)*	27,950 lb* (12 678 kg)*					28,300 lb* (12 837 kg)*	28,300 lb* (12 837 kg)*	17,750 lb* (8 051 kg)*	17,750 lb* (8 051 kg)*	14,050 lb* (5 373 kg)*	12,000 lb (5 443 kg)	12,400 lb* (5 625 kg)*	8,650 lb (3 924 kg)	27 ft 5 in (1.36 m)	8,300 lb* (3 765 kg)*	7,500 lb (3 402 kg)
+5 ft (1.5 m)	10 ft 9 in (3.28 m)	14,150 lb* (6 418 kg)*	14,150 lb* (6 418 kg)*							21,600 lb* (9 798 kg)*	17,150 lb (7 779 kg)	16,000 lb* (7 257 kg)*	11,500 lb (5 216 kg)	12,450 lb (5 647 kg)	8,400 lb (3 810 kg)	27 ft 9 in (8.46 m)	8,800 lb* (3 992 kg)*	7,250 lb (3 289 kg)
Groundline	8 ft 11 in (2.72 m)	11,100 lb* (5 035 kg)*	11,100 lb* (5 035 kg)*					15,150 lb* (6 872 kg)*	15,150 lb* (6 872 kg)*	23,800 lb* (10 795 kg)*	16,550 lb (7 507 kg)	16,900 lb (7 666 kg)	11,100 lb (5 035 kg)	12,200 lb (5 534 kg)	8,250 lb (3 742 kg)	27 ft 1 in (8.26 m)	9,750 lb* (4 423 kg)*	7,400 lb (3 357 kg)
-5 ft (-1.5 m)	4 ft 1 in (1.25 m)	14,900 lb* (6 759 kg)*	14,900 lb* (6 759 kg)*			15,450 lb* (7 008 kg)*	15,450 lb* (7 008 kg)*	25,550 lb* (11 589 kg)*	25,550 lb* (11 589 kg)*	24,150 lb* (10 954 kg)*	16,350 lb (7 416 kg)	16,700 lb (7 575 kg)	10,950 lb (4 967 kg)	12,150 lb (5 511 kg)	8,200 lb (3 719 kg)	25 ft 5 in (7.75 m)	11,550 lb* (5 239 kg)*	8,000 lb (3 629 kg)
-10 ft (-3 m)	4 ft 1 in (1.25 m)	25,500 lb* (11 567 kg)*	25,500 lb* (11 567 kg)*			26,550 lb* (12 043 kg)*	26,550 lb* (12 043 kg)*	32,300 lb* (14 651 kg)*	31,700 lb (14 379 kg)	22,700 lb* (10 297 kg)*	16,450 lb (7 462 kg)	16,800 lb (7 620 kg)	11,050 lb (5 012 kg)			22 ft 7 in (6.88 m)	14,150 lb (6 418 kg)	9,450 lb (4 286 kg)
-15 ft (-4.5 m)	7 ft 6 in (2.28 m)	31,450 lb* (14 265 kg)*	31,450 lb* (14 265 kg)*					25,850 lb* (11 725 kg)*	25,850 lb* (11 725 kg)*	18,400 lb* (8 346 kg)*	16,950 lb (7 688 kg)					18 ft 0 in (5.49 m)	14,500 lb* (6 577 kg)*	13,250 lb (6 010 kg)

NOTE: *Following number indicates hydraulic capacity

SYSTEM FLUID CAPACITIES AND SPECIFICATIONS

	Capacities	Specifications
Hydraulic system	74 gal (280 L)	ISO VG 46
Hydraulic sump tank	43 gal (162 L)	ISO VG 46
Fuel tank	108 gal (410 L)	Light oil (Diesel)
Cooling system	7.9 gal (30.0 L)	Coolant 55%, Water 45%
Final drive case – per side	1.3 gal (5.0 L)	API GL-4 90
Swing drive case	1.3 gal (5.0 L)	API GL-4 90
Engine crank case – with Remote Oil Filter	3.9 gal (14.6 L)	API CK-4 SAE 10W-40
Urea water tank	22 gal (84 L)	ISO 22241

STANDARD EQUIPMENT

ENGINE

FPT NEF6
Tier 4 Final/Stage V Certified
Selective Catalytic Reduction
on Filter – SCRoF
Six-cylinder turbo-charged diesel
Fixed geometry turbocharger
High pressure common rail
system - electronic
Neutral safety start
Auto-engine warm up
Air intake heater
Fuel Economy Assist System – FEA
Engine Protection Feature – EPF
Dual-stage fuel filtration
Dual element air filter
Remote oil filter
Drain for fuel tank
1,000-hour engine oil/filter interval
24-volt system
Engine oil sample port
Battery disconnect switch
Emergency engine stop
External Fuel and DEF gauges
Fan housing
Fuel cooler
Fuel filter restriction indicator
Fuel shut-off valve
Radiator, oil cooler,
intercooler – protective chaff screen

FUEL ECONOMY SYSTEMS

Engine Idle/Fuel Economy System:
Auto-idle
One-touch idle
Timed engine shut down
BEC – Boom Economy Control
AEC – Auto Economy Control
SWC – Swing Relief Control
SSC – Spool Stroke Control

HYDRAULIC CONTROLS

Boom/Arm/Bucket/Swing:
Pilot pressure control system
(ISO or SAE control pattern)
Work mode select:
1 SP – mode
2 Power – mode
3 Eco – mode
4 Lift – mode
Travel mode select – 2-speed travel with
auto downshift
Attachment cushion control
Hydraulic lock – gate lock, left side tilt console
Single pedal travel
Custom flow balance adjustment:
Arm in vs. boom up
Arm in vs. swing
Multi-function with electronic pressure
and flow control/joystick activated
with electronic configurable
proportional controls

UPPER STRUCTURE

ISO mirrors – 3
Cab ISO-Mounts – fluid and spring
Upper mounted work light – 70 watt
Swivel guard belly pan
Center cover – over main CV
Fuel tank belly pan
Handrail – RH access
ISO guard rails
Lifting eyes for counterweight
Lockable fuel cap, service doors and tool box

ATTACHMENTS

Boom – 18 ft 8 in (5.70 m)
Arm – 9 ft 8 in (2.94 m)
Heavy-duty bucket linkage
Boom mounted work light – 70 watt
Auxiliary pipe brackets
Centralized grease fittings
Attachment cushion valve
Arm and boom regeneration
Bucket anti-clatter device
Chrome pins
Easy Maintenance System (EMS) bushings
Teardrop pin retention keepers

OPERATOR ENVIRONMENT

Operators cab:
Smooth and round shape design cab
Safety glass for all windows
Shock-less cab suspension by 4-point
fluid mounting
Sliding front window with auto lock
10 in Full-color LCD monitor display
Membrane switch on monitor display with
5 configurable button on bottom
of monitor
Switch panel – including throttle dial with
eco-mode switch
Windshield wiper & washer
AM/FM/Bluetooth Radio with
hands-free phone
Sectioned floor mat
Polycarbonate roof hatch & Sun shade
Auto climate control
Roll-over protective structure – ROPS
Top guard OPG level 1 – in cab structure
Operator's seat:
Low frequency air suspension with
air springs and double acting
hydraulic damper.
With following features:
Manual weight adjustment
Backrest angle adjustment
Seat height adjustment
Adjustable armrest – Angle and height
Adjustable headrest
Retractable seat belt
Adjustable lumbar support
Console mount on suspension
Control consoles adjust
independently of seat
Others:
Rear view mirror – Cab side & Right side
Rear & Right-side view Camera

UNDERCARRIAGE

Travel motor Variable displacement
axial piston motor
Brake Mechanical disc brake
Hydraulic service brake Brake valve
Final drive Planetary gear reduction
Travel speeds:
High 3.5 mph (5.6 km/h)
(Automatic travel speed downshifting)
Low 2.1 mph (3.4 km/h)
Drawbar pull 42,300 lbf (188 kN)
Number of carrier rollers 2 – each side
Number of track rollers 8 – each side
Number of shoes 49 – each side
Type of shoe Triple semi-grouser shoe
Link pitch 7.48 in (190 mm)
Width of shoe 31.5 in (800 mm) S.T.D
Grade-ability 70% (35°)

TELEMATICS

CASE SiteWatch™ Telematics – includes
hardware and a 3-yr Advanced
data subscription for 2-way communication

MASS

Operating mass 50,000 lb (22 700 kg)
with 9 ft 8 in (2.94 m) Arm, 0.9 m³ Sumitomo
Bucket, 31.5 in (800 mm) grouser shoe,
operator, lubricant, coolant, full fuel tank
Shipping mass 47,800 lb (21 700 kg)
Operating mass – (operator mass (75 kg)
+ full fuel mass + bucket mass (651 kg) +
shipping fuel mass
Counterweight mass 9,480 lb (4 300 kg)
Ground pressure 5.08 psi (0.035 MPa)
with 9 ft 8 in (2.94 m) Arm, 0.9 m³ Sumitomo
Bucket, 31.5 in (800 mm) grouser shoe

ELECTRICAL SYSTEM

Engine control:
Dial type throttle control
One touch idle/Auto deceleration/timed
engine shutdown system
Monitor system:
Message display
Work mode display
Machine condition
Alarm display and buzzer
Water temperature
Hydraulic oil temperature
Fuel level
Diagnosis system
Rear & Right-side view camera image
Urea water level
Wire harness
Travel alarm
Double horn
Battery
Lights
Working light
Upper 24 V 70 W x1
Boom 24 V 70 W x1
Cab 24 V 70 W x2
Operator's cab room 24 V 10 W x1

OPTIONAL EQUIPMENT

ENGINE

Refueling pump
Air pre-cleaner – Cyclone
High ambient temperature cooling package

HYDRAULICS

Auxiliary hydraulics:
Proportionally controlled secondary
low-flow auxiliary hydraulics
Hose Burst Check Valve – HBCV

MACHINE CONTROL

Leica iCON iXE2 – 2D System
Leica iCON iXE3 – 3D System

ATTACHMENTS

Heavy-duty arm – 7 ft 11 in (2.40 m)
Quick coupler/Case multi-pin grabber
Tools:
Heavy-duty/Extreme-duty/Ditching Buckets;
Hammers; Thumbs; Compaction plates

UPPER STRUCTURE

Rubber bumper guard – order through
Service Parts

UNDERCARRIAGE

23.6 in (600 mm) rubber link chain, bolt-on
rubber pads on steel chain
23.6 in (600 mm) steel shoes,
triple semi-grouser
27.6 in (700 mm) steel shoes,
triple semi-grouser
Track guides – triple

OPERATOR ENVIRONMENT

FOPS cab top guard – Level 2
Front grill guard – 2 x 2 in (50.8 x 50.8 mm)
screen mesh
Front rock guard – vertical bars
Two piece/OPG 1
Front rock guard – vertical bars
One piece/OPG 2
Vandal guard (front window) with common key
Rain deflector – not available with front guards
Sun visor
Max View Monitor – 3 cameras with
270-degree view
LED Package:
Includes 6 LED Lights – 2 front cab
mounted, 2 rear mounted and 1 mounted
on each side

CaseCE.com

©2022 CNH Industrial America LLC. All rights reserved. CASE is a trademark registered in the United States and many other countries, owned by or licensed to CNH Industrial N.V., its subsidiaries or affiliates. CNH Industrial Capital is a trademark in the United States and many other countries, owned by or licensed to CNH Industrial N.V., its subsidiaries or affiliates. Printed in U.S.A. Contains 10% post-consumer fiber.

IMPORTANT: CASE Construction Equipment Inc. reserves the right to change these specifications without notice and without incurring any obligation relating to such change. Availability of some models and equipment builds vary according to the country in which the equipment is used. The illustrations and text may include optional equipment and accessories and may not include all standard equipment. Your CASE dealer/distributor will be able to give you details of the products and their specifications available in your area.



CASE Construction Equipment is biodiesel-friendly. NOTE: All engines meet current EPA emissions regulations. All specifications are stated in accordance with SAE Standards or Recommended Practices, where applicable.



Always read the Operator's Manual before operating any equipment. Inspect equipment before using it, and be sure it is operating properly. Follow the product safety signs and use any safety features provided.

Form No. CCE202209CX220E

Replaces Form No. CCE202203CX220E

CX220E

6 of 6