

ENGINE

Model	Cummins B6.7
Type:	4-cycle, turbocharged, charge air cooled, electronic controlled diesel engine
	High pressure common rail system (electronic control), variable geometry turbocharger with air cooled intercooler, DOC+DPF+SCR aftertreatment, EGR free
Emissions Certification	Tier 4 Final/Stage V
Cylinders	6
Displacement	408 in ³ (6.7 L)
Rated flywheel horse power:	
ISO 9249 at 2200 RPM	170 hp (127 kW)
ISO 14396 at 2200 RPM	173 hp (129 kW)
Maximum torque:	
ISO 14396 at 1300 RPM	649.79 ft-lb (881 Nm)

HYDRAULIC SYSTEM

Main pump	Variable displacement piston pump
Max. oil flow at 1600 RPM:	2 x 74.0 gpm (208 l/min)
Working circuit pressure:	
Boom/Arm/Bucket:	4,975 psi (34.3 MPa) - 5,410 psi (37.3 MPa) with auto power boost
Swing circuit	3,771 psi (26 MPa)
Travel circuit	5,410 psi (37.3 MPa)
Pilot circuit	566 psi (3.9 MPa)

SWING

Swing motor	Axial piston motor with reduction gear (piston type)
Maximum swing speed	10.9 RPM
Swing torque	28,839 ft-lb (39 100 Nm)
Brake system	Automatic, spring applied hydraulic released

ELECTRICAL SYSTEM

Voltage	24 V
Alternator	95 Amp
Starter	24 V - 4.8 kW
Battery	2 X 12 V 100 Ah

STEERING

Type	Orbitrol steering system
Minimum turning radius	21 ft 11 in (6.69 m)

AXLES

Type:	4 wheel drive with differential, oscillating front axle with automatic or operator controlled oscillation lock, fixed rear axle.
Brake type	Wet multi-disc
Parking brake type	Wet multi-disc integrated in transmission

UNDERCARRIAGE

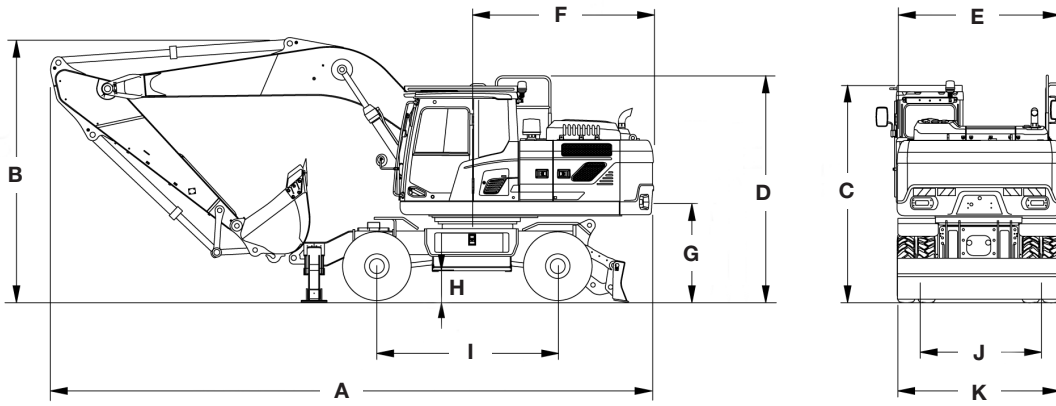
Transmission	2 speed hydrostatic powershift
Travel motor	Variable displacement bent-axis axial piston motor
High travel speed (Automatic travel speed shifting):	24 mph (38.4 km/h)
Low travel speed	5.9 mph (9.5 km/h)
Creep speed	1.9 mph (3 km/h)
Drawbar pull	26,527 lbf (118 kN)
Gradeability	70% (30°)

NOISE

External sound level	LwA 100 dB(A)
Operator cab sound pressure level:	LpA 71 dB(A)

CIRCUIT AND COMPONENT CAPACITIES

Fuel tank	82 gal (310 L)
Hydraulic system	89.8 gal (340 L)
Hydraulic tank	43.6 gal (165 L)
DEF tank	12.7 gal (48 L)



Line drawings are for illustrative purpose only and may not be exact representation of unit.

GENERAL DIMENSIONS - MONOBOOM

	9 ft 7 in (2.92 m) Arm	7 ft 10 in (2.40 m) Arm	8 ft 10 in (2.70 m) Arm
A. Overall length (with attachment):			
Traveling	30 ft 9 in (9 380 mm)	31 ft 6 in (9 590 mm)	31 ft 4 in (9 540 mm)
Transportation	31 ft 2 in (9 500 mm)	31 ft 9 in (9 680 mm)	31 ft 5 in (9 570 mm)
B. Overall height (to top of boom):			
Traveling	13 ft 2 in (4 020 mm)	12 ft 2 in (3 720 mm)	12 ft 0 in (3 650 mm)
Transportation	10 ft 4 in (3 150 mm)	11 ft 0 in (3 350 mm)	10 ft 8 in (3 240 mm)
C. Cab height	10 ft 8 in (3 260 mm)	10 ft 8 in (3 260 mm)	10 ft 8 in (3 260 mm)
D. Overall height (to top of handrail)	10 ft 11 in (3 330 mm)	10 ft 11 in (3 330 mm)	10 ft 11 in (3 330 mm)
E. Upper structure overall width	8 ft 4 in (2 530 mm)	8 ft 4 in (2 530 mm)	8 ft 4 in (2 530 mm)
F. Swing (rear end) radius	9 ft 0 in (2 740 mm)	9 ft 0 in (2 740 mm)	9 ft 0 in (2 740 mm)
G. Clearance height under upper structure	4 ft 3 in (1 295 mm)	4 ft 3 in (1 295 mm)	4 ft 3 in (1 295 mm)
H. Minimum ground clearance	1 ft 2 in (347 mm)	1 ft 2 in (347 mm)	1 ft 2 in (347 mm)
I. Wheel base (center-to-center of wheels)	9 ft 2 in (2 800 mm)	9 ft 2 in (2 800 mm)	9 ft 2 in (2 800 mm)
J. Wheel gauge	6 ft 3 in (1 914 mm) 6 ft 11 in (2 114 mm)	6 ft 3 in (1 914 mm) 6 ft 11 in (2 114 mm)	6 ft 3 in (1 914 mm) 6 ft 11 in (2 114 mm)
K. Undercarriage overall width	8 ft 4 in (2 530 mm)	8 ft 4 in (2 530 mm)	8 ft 4 in (2 530 mm)

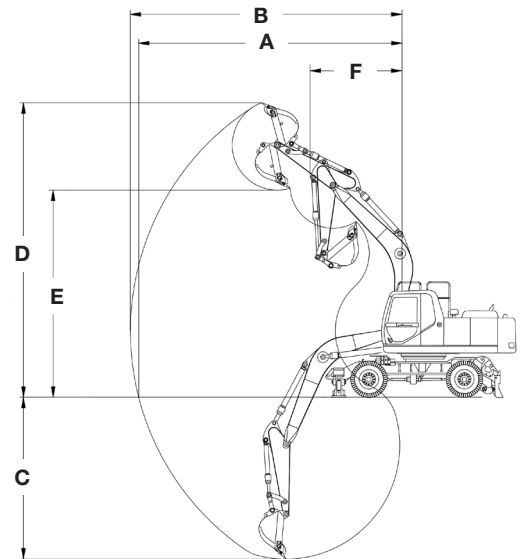
WEIGHT - MONOBOOM

Rear blade	48,854 lb (22 160 kg)
Front blade and rear stabilizers	52,922 lb (24 005 kg)
Standard counterweight	7,500 lb (3 400 kg)

NOTE: With 9 ft 7 in (2.92 m) arm, 28.3 ft³ (0.80 m³) bucket, 10.00x20 twin tires, standard counterweight, operator, lubricant, coolant, full fuel tank.

PERFORMANCE - MONOBOOM

	9 ft 7 in (2.92 m)	7 ft 10 in (2.40 m)	8 ft 10 in (2.70 m)
Boom length	18 ft 6 in (5 649 mm)	18 ft 6 in (5 649 mm)	18 ft 6 in (5 649 mm)
A. Maximum reach at groundline	32 ft 1 in (9 770 mm)	30 ft 5 in (9 270 mm)	31 ft 4 in (9 550 mm)
B. Maximum reach	32 ft 9 in (9 970 mm)	31 ft 1 in (9 480 mm)	32 ft 0 in (9 760 mm)
C. Max. digging depth	21 ft 1 in (6 430 mm)	19 ft 3 in (5 860 mm)	20 ft 4 in (6 210 mm)
D. Max. digging height	32 ft 10 in (10 020 mm)	31 ft 10 in (9 710 mm)	32 ft 5 in (9 870 mm)
E. Max. dumping height	23 ft 6 in (7 160 mm)	22 ft 6 in (6 860 mm)	23 ft 10 in (7 010 mm)
F. Min. swing radius	11 ft 4 in (3 460 mm)	11 ft 7 in (3 520 mm)	11 ft 5 in (3 490 mm)



DIGGING FORCE - MONOBOOM

	9 ft 7 in (2.92 m) Arm	7 ft 10 in (2.40 m) Arm	8 ft 10 in (2.70 m) Arm
Arm digging force	24,032 lbf (107 kN)	28,438 lbf (127 kN)	25,583 lbf (114 kN)
with Auto power up	26,078 lbf (116 kN)	30,889 lbf (137 kN)	27,764 lbf (124 kN)
Bucket digging force	33,946 lbf (151 kN)	33,946 lbf (151 kN)	33,946 lbf (151 kN)
with Auto power up	36,869 lbf (164 kN)	36,869 lbf (164 kN)	36,869 lbf (164 kN)

LIFTING CAPACITIES - MONOBOOM

Load/Lift Point Height									MAXIMUM REACH					
	4 ft 11 in (1.5 m)		9 ft 10 in (3.0 m)		14 ft 9 in (4.5 m)		19 ft 8 in (6.0 m)		24 ft 7 in (7.5 m)		REACH	CAPACITY		
	END	SIDE	END	SIDE	END	SIDE	END	SIDE	END	SIDE	@	END	SIDE	
REAR BLADE & REAR STABILIZERS DOWN - Mono boom 18 ft 6 in (5.65 m), arm 7 ft 10 in (2.40 m), 7,500 lb (3 400 kg) counterweight														
24 ft 7 in (7.5 m)												18 ft 9 in (5.72 m)	10,630 lb (4 820 kg)*	10,630 lb (4 820 kg)*
19 ft 8 in (6.0 m)								12,170 lb (5 520 kg)*	12,170 lb (5 520 kg)*			22 ft 7 in (6.89 m)	9,700 lb (4 400 kg)*	9,700 lb (4 400 kg)*
14 ft 9 in (4.5 m)					15,850 lb (7 190 kg)*	15,850 lb (7 190 kg)*	13,140 lb (5 960 kg)*	12,850 lb (5 830 kg)	11,310 lb (5 130 kg)*	8,990 lb (4 080 kg)		24 ft 11 in (7.59 m)	9,480 lb (4 300 kg)*	8,820 lb (4 000 kg)
9 ft 10 in (3.0 m)					19,400 lb (8 800 kg)*	18,940 lb (8 590 kg)	14,640 lb (6 640 kg)*	12,300 lb (5 580 kg)	12,410 lb (5 630 kg)*	8,800 lb (3 990 kg)		26 ft 1 in (7.94 m)	9,680 lb (4 390 kg)*	8,050 lb (3 650 kg)
4 ft 11 in (1.5 m)					22,050 lb (10 000 kg)*	17,920 lb (8 130 kg)	16,010 lb (7 260 kg)*	11,820 lb (5 360 kg)	12,940 lb (5 870 kg)*	8,580 lb (3 890 kg)		26 ft 3 in (8.00 m)	10,320 lb (4 680 kg)*	7,800 lb (3 540 kg)
0 ft (0 m)					22,660 lb (10 280 kg)*	17,480 lb (7 930 kg)	16,620 lb (7 540 kg)*	11,490 lb (5 210 kg)	13,010 lb (5 900 kg)*	8,440 lb (3 830 kg)		25 ft 6 in (7.76 m)	11,550 lb (5 240 kg)*	8,050 lb (3 650 kg)
-4 ft 11 in (-1.5 m)					26,430 lb (11 990 kg)*	26,430 lb (11 990 kg)*	21,560 lb (9 780 kg)*	17,460 lb (7 920 kg)	16,070 lb (7 290 kg)*	11,250 lb (5 180 kg)		23 ft 8 in (7.21 m)	12,590 lb (5 710 kg)*	8,930 lb (4 050 kg)
-9 ft 10 in (-3.0 m)					24,740 lb (11 220 kg)*	24,740 lb (11 220 kg)*	18,540 lb (8 410 kg)*	17,750 lb (8 050 kg)	13,380 lb (6 070 kg)*	11,660 lb (5 290 kg)		20 ft 6 in (6.25 m)	12,370 lb (5 610 kg)*	11,070 lb (5 020 kg)

REAR BLADE & REAR STABILIZERS UP - Mono boom 18 ft 6 in (5.65 m), arm 7 ft 10 in (2.40 m), 7,500 lb (3 400 kg) counterweight														
24 ft 7 in (7.5 m)												18 ft 9 in (5.72 m)	10,630 lb (4 820 kg)*	10,450 lb (4 740 kg)
19 ft 8 in (6.0 m)								12,170 lb (5 520 kg)*	9,700 lb (4 400 kg)			22 ft 7 in (6.89 m)	9,700 lb (4 400 kg)*	7,630 lb (3 460 kg)
14 ft 9 in (4.5 m)					15,850 lb (7 190 kg)*	14,460 lb (6 560 kg)	13,140 lb (5 960 kg)*	9,350 lb (4 240 kg)	9,590 lb (4 350 kg)	6,530 lb (2 960 kg)		24 ft 11 in (7.59 m)	9,390 lb (4 280 kg)	6,390 lb (2 900 kg)
9 ft 10 in (3.0 m)					19,400 lb (8 800 kg)*	13,250 lb (6 010 kg)	13,230 lb (6 000 kg)	8,840 lb (4 010 kg)	9,390 lb (4 260 kg)	6,350 lb (2 880 kg)		26 ft 1 in (7.94 m)	8,580 lb (3 890 kg)	5,780 lb (2 620 kg)
4 ft 11 in (1.5 m)					19,640 lb (8 910 kg)	12,320 lb (5 590 kg)	12,720 lb (5 770 kg)	8,380 lb (3 800 kg)	9,150 lb (4 150 kg)	6,130 lb (2 780 kg)		26 ft 3 in (8.00 m)	8,330 lb (3 780 kg)	5,580 lb (2 530 kg)
0 ft (0 m)					19,200 lb (8 710 kg)	11,930 lb (5 410 kg)	12,390 lb (5 620 kg)	8,090 lb (3 670 kg)	9,020 lb (4 090 kg)	6,000 lb (2 720 kg)		25 ft 6 in (7.76 m)	8,600 lb (3 900 kg)	5,730 lb (2 600 kg)
-4 ft 11 in (-1.5 m)					26,430 lb (11 990 kg)*	22,440 lb (10 180 kg)	19,160 lb (8 690 kg)	11,900 lb (5 400 kg)	12,320 lb (5 590 kg)	8,020 lb (3 640 kg)		23 ft 8 in (7.21 m)	9,550 lb (4 330 kg)	6,350 lb (2 880 kg)
-9 ft 10 in (-3.0 m)					24,740 lb (11 220 kg)*	22,910 lb (10 390 kg)	18,540 lb (8 410 kg)*	12,170 lb (5 520 kg)	12,570 lb (5 700 kg)	8,250 lb (3 740 kg)		20 ft 6 in (6.25 m)	11,900 lb (5 400 kg)	7,850 lb (3 560 kg)

REAR BLADE & FRONT STABILIZERS DOWN - Mono boom 18 ft 6 in (5.65 m), arm 7 ft 10 in (2.40 m), 7,500 lb (3 400 kg) counterweight														
24 ft 7 in (7.5 m)												18 ft 9 in (5.72 m)	10,630 lb (4 820 kg)*	10,630 lb (4 820 kg)*
19 ft 8 in (6.0 m)								12,170 lb (5 520 kg)*	12,170 lb (5 520 kg)*			22 ft 7 in (6.89 m)	9,700 lb (4 400 kg)*	9,700 lb (4 400 kg)*
14 ft 9 in (4.5 m)					15,850 lb (7 190 kg)*	15,850 lb (7 190 kg)*	13,140 lb (5 960 kg)*	12,240 lb (5 550 kg)	11,310 lb (5 130 kg)*	8,550 lb (3 880 kg)		24 ft 11 in (7.59 m)	9,480 lb (4 300 kg)*	8,380 lb (3 800 kg)
9 ft 10 in (3.0 m)					19,400 lb (8 800 kg)*	17,950 lb (8 140 kg)	14,640 lb (6 640 kg)*	11,710 lb (5 310 kg)	12,410 lb (5 630 kg)*	8,360 lb (3 790 kg)		26 ft 1 in (7.94 m)	9,680 lb (4 390 kg)*	7,630 lb (3 460 kg)
4 ft 11 in (1.5 m)					22,050 lb (10 000 kg)*	16,930 lb (7 680 kg)	16,010 lb (7 260 kg)*	11,200 lb (5 080 kg)	12,940 lb (5 870 kg)*	8,140 lb (3 690 kg)		26 ft 3 in (8.00 m)	10,320 lb (4 680 kg)*	7,410 lb (3 360 kg)
0 ft (0 m)					22,660 lb (10 280 kg)*	16,490 lb (7 480 kg)	16,620 lb (7 540 kg)*	11,890 lb (5 400 kg)	13,010 lb (5 900 kg)*	8,000 lb (3 630 kg)		25 ft 6 in (7.76 m)	11,550 lb (5 240 kg)*	7,630 lb (3 460 kg)
-4 ft 11 in (-1.5 m)					26,430 lb (11 990 kg)*	26,430 lb (11 990 kg)*	21,560 lb (9 780 kg)*	16,470 lb (7 470 kg)	16,070 lb (7 290 kg)*	10,820 lb (4 910 kg)		23 ft 8 in (7.21 m)	12,590 lb (5 710 kg)*	8,470 lb (3 840 kg)
-9 ft 10 in (-3.0 m)					24,740 lb (11 220 kg)*	24,740 lb (11 220 kg)*	18,540 lb (8 410 kg)*	16,760 lb (7 600 kg)	13,380 lb (6 070 kg)*	11,050 lb (5 010 kg)		20 ft 6 in (6.25 m)	12,370 lb (5 610 kg)*	10,490 lb (4 760 kg)

REAR BLADE & FRONT STABILIZERS UP - Mono boom 18 ft 6 in (5.65 m), arm 7 ft 10 in (2.40 m), 7,500 lb (3 400 kg) counterweight														
24 ft 7 in (7.5 m)												18 ft 9 in (5.72 m)	10,630 lb (4 820 kg)*	10,300 lb (4 670 kg)
19 ft 8 in (6.0 m)								12,170 lb (5 520 kg)*	9,550 lb (4 330 kg)			22 ft 7 in (6.89 m)	9,700 lb (4 400 kg)*	7,520 lb (3 410 kg)
14 ft 9 in (4.5 m)					15,850 lb (7 190 kg)*	14,240 lb (6 460 kg)	13,140 lb (5 960 kg)*	9,220 lb (4 180 kg)	9,550 lb (4 330 kg)	6,420 lb (2 910 kg)		24 ft 11 in (7.59 m)	9,350 lb (4 240 kg)	6,280 lb (2 850 kg)
9 ft 10 in (3.0 m)					19,400 lb (8 800 kg)*	13,050 lb (5 920 kg)	13,180 lb (5 980 kg)	8,710 lb (3 950 kg)	9,370 lb (4 250 kg)	6,240 lb (2 830 kg)		26 ft 1 in (7.94 m)	8,530 lb (3 870 kg)	5,690 lb (2 580 kg)
4 ft 11 in (1.5 m)					19,600 lb (8 890 kg)	12,130 lb (5 500 kg)	12,680 lb (5 750 kg)	8,220 lb (3 730 kg)	9,130 lb (4 140 kg)	6,020 lb (2 730 kg)		26 ft 3 in (8.00 m)	8,290 lb (3 760 kg)	5,470 lb (2 480 kg)
0 ft (0 m)					19,140 lb (8 680 kg)	11,730 lb (5 320 kg)	12,350 lb (5 600 kg)	7,940 lb (3 600 kg)	8,970 lb (4 070 kg)	5,890 lb (2 670 kg)		25 ft 6 in (7.76 m)	8,580 lb (3 890 kg)	5,620 lb (2 550 kg)
-4 ft 11 in (-1.5 m)					26,430 lb (11 990 kg)*	22,070 lb (10 010 kg)	19,090 lb (8 660 kg)	11,710 lb (5 310 kg)	12,280 lb (5 570 kg)	7,870 lb (3 570 kg)		23 ft 8 in (7.21 m)	9,520 lb (4 320 kg)	6,240 lb (2 830 kg)
-9 ft 10 in (-3.0 m)					24,740 lb (11 220 kg)*	22,550 lb (10 230 kg)	18,540 lb (8 410 kg)*	11,950 lb (5 420 kg)	12,520 lb (5 680 kg)	8,090 lb (3 670 kg)		20 ft 6 in (6.25 m)	11,860 lb (5 380 kg)	7,720 lb (3 500 kg)

FRONT & REAR STABILIZERS DOWN - Mono boom 18 ft 6 in (5.65 m), arm 7 ft 10 in (2.40 m), 7,500 lb (3 400 kg) counterweight														
24 ft 7 in (7.5 m)												18 ft 9 in (5.72 m)	10,630 lb (4 820 kg)*	10,630 lb (4 820 kg)*
19 ft 8 in (6.0 m)								12,170 lb (5 520 kg)*	12,170 lb (5 520 kg)*			22 ft 7 in (6.89 m)	9,700 lb (4 400 kg)*	9,700 lb (4 400 kg)*
14 ft 9 in (4.5 m)					15,850 lb (7 190 kg)*	15,850 lb (7 190 kg)*	13,140 lb (5 960 kg)*	13,140 lb (5 960 kg)*	11,310 lb (5 130 kg)*	10,080 lb (4 570 kg)		24 ft 11 in (7.59 m)	9,480 lb (4 300 kg)*	9,480 lb (4 300 kg)*
9 ft 10 in (3.0 m)					19,400 lb (8 800 kg)*	19,400 lb (8 800 kg)*	14,640 lb (6 640 kg)*	13,910 lb (6 310 kg)	12,410 lb (5 630 kg)*	9,900 lb (4 490 kg)		26 ft 1 in (7.94 m)	9,680 lb (4 390 kg)*	9,040 lb (4 100 kg)
4 ft 11 in (1.5 m)					22,050 lb (10 000 kg)*	20,680 lb (9 380 kg)	16,010 lb (7 260 kg)*	13,380 lb (6 070 kg)	12,940 lb (5 870 kg)*	9,660 lb (4 380 kg)		26 ft 3 in (8.00 m)	10,320 lb (4 680 kg)*	8,770 lb (3 980 kg)
0 ft (0 m)					22,660 lb (10 280 kg)*	20,220 lb (9 170 kg)	16,620 lb (7 540 kg)*	13,050 lb (5 920 kg)	13,010 lb (5 900 kg)*	9,520 lb (4 320 kg)		25 ft 6 in (7.76 m)	11,550 lb (5 240 kg)*	9,080 lb (4 120 kg)
-4 ft 11 in (-1.5 m)					26,430 lb (11 990 kg)*	26,430 lb (11 990 kg)*	21,560 lb (9 780 kg)*	20,190 lb (9 160 kg)	16,070 lb (7 290 kg)*	12,990 lb (5 890 kg)		23 ft 8 in (7.21 m)	12,590 lb (5 710 kg)*	10,080 lb (4 570 kg)
-9 ft 10 in (-3.0 m)					24,740 lb (11 220 kg)*	24,740 lb (11 220 kg)*	18,540 lb (8 410 kg)*	18,540 lb (8 410 kg)	13,380 lb (6 070 kg)*	13,380 lb (6 000 kg)		20 ft 6 in (6.25 m)	12,370 lb (5 610 kg)*	12,370 lb (5 610 kg)*

NOTE: *The above loads (kg) are compliant to the ISO standards and refer to the excavator equipped without bucket. The indicated loads are no more than 87% of hydraulic system lift capacity or 75% of static tipping load. Values marked with an asterisk (*) are limited by the hydraulic lifting capacity.

LIFTING CAPACITIES - MONOBOOM

Load/Lift Point Height	MONOBOOM										MAXIMUM REACH			
	4 ft 11 in (1.5 m)		9 ft 10 in (3.0 m)		14 ft 9 in (4.5 m)		19 ft 8 in (6.0 m)		24 ft 7 in (7.5 m)		REACH	CAPACITY		
	END	SIDE	END	SIDE	END	SIDE	END	SIDE	END	SIDE	@	END	SIDE	
REAR BLADE & FRONT STABILIZERS UP - Mono boom 18 ft 6 in (5.65 m), arm 7 ft 10 in (2.40 m), 7,500 lb (3 400 kg) counterweight														
24 ft 7 in (7.5 m)											18 ft 9 in (5.72 m)	10,630 lb (4 820 kg)*	10,270 lb (4 660 kg)	
19 ft 8 in (6.0 m)											22 ft 7 in (6.89 m)	9,700 lb (4 400 kg)*	7,500 lb (3 400 kg)	
14 ft 9 in (4.5 m)											24 ft 11 in (7.59 m)	9,350 lb (4 240 kg)	6,260 lb (2 840 kg)	
9 ft 10 in (3.0 m)											26 ft 1 in (7.94 m)	8,530 lb (3 870 kg)	5,670 lb (2 570 kg)	
4 ft 11 in (1.5 m)											26 ft 3 in (8.00 m)	8,290 lb (3 760 kg)	5,470 lb (2 480 kg)	
0 ft (0 m)											25 ft 6 in (7.76 m)	8,580 lb (3 890 kg)	5,620 lb (2 550 kg)	
-4 ft 11 in (-1.5 m)	26,430 lb (11 990 kg)*	22,020 lb (9 990 kg)	19,090 lb (8 660 kg)	11,680 lb (5 300 kg)	12,280 lb (5 570 kg)	7,870 lb (3 570 kg)					23 ft 8 in (7.22 m)	9,520 lb (4 320 kg)	6,220 lb (2 820 kg)	
-9 ft 10 in (-3.0 m)	24,740 lb (11 220 kg)*	22,510 lb (10 210 kg)	18,540 lb (8 410 kg)*	11,930 lb (5 410 kg)	12,520 lb (5 680 kg)	8,070 lb (3 660 kg)					20 ft 6 in (6.25 m)	11,860 lb (5 380 kg)	7,690 lb (3 490 kg)	
FRONT BLADE & REAR STABILIZERS DOWN - Mono boom 18 ft 6 in (5.65 m), arm 8 ft 10 in (2.70 m), 7,500 lb (3 400 kg) counterweight														
24 ft 7 in (7.5 m)											20 ft 0 in (6.10 m)	7,980 lb (3 620 kg)*	7,980 lb (3 620 kg)*	
19 ft 8 in (6.0 m)											23 ft 8 in (7.21 m)	7,340 lb (3 330 kg)*	7,340 lb (3 330 kg)*	
14 ft 9 in (4.5 m)											25 ft 10 in (7.88 m)	7,190 lb (3 260 kg)*	7,190 lb (3 260 kg)*	
9 ft 10 in (3.0 m)											27 ft 0 in (8.22 m)	7,340 lb (3 330 kg)*	7,340 lb (3 330 kg)*	
4 ft 11 in (1.5 m)											27 ft 2 in (8.27 m)	7,800 lb (3 540 kg)*	7,470 lb (3 390 kg)	
0 ft (0 m)	13,820 lb (6 270 kg)*	13,820 lb (6 270 kg)*	22,750 lb (10 320 kg)*	17,590 lb (7 980 kg)	16,620 lb (7 540 kg)	11,570 lb (5 250 kg)	13,100 lb (5 940 kg)	8,470 lb (3 840 kg)				26 ft 5 in (8.05 m)	8,710 lb (3 950 kg)*	7,690 lb (3 490 kg)
-4 ft 11 in (-1.5 m)	25,770 lb (11 690 kg)*	25,770 lb (11 690 kg)*	22,000 lb (9 980 kg)*	17,480 lb (7 930 kg)	16,340 lb (7 410 kg)*	11,440 lb (5 190 kg)	10,740 lb (4 870 kg)*	8,470 lb (3 840 kg)				24 ft 8 in (7.51 m)	10,360 lb (4 700 kg)*	8,440 lb (3 830 kg)
-9 ft 10 in (-3.0 m)	26,570 lb (12 050 kg)*	26,570 lb (12 050 kg)*	19,420 lb (8 810 kg)	17,700 lb (8 030 kg)	14,260 lb (6 470 kg)*	11,600 lb (5 260 kg)					21 ft 7 in (6.59 m)	12,190 lb (5 530 kg)*	10,230 lb (4 640 kg)	
-14 ft 9 in (-4.5 m)											16 ft 8 in (5.08 m)	11,050 lb (5 010 kg)*	11,050 lb (5 010 kg)*	
FRONT BLADE & REAR STABILIZERS UP - Mono boom 18 ft 6 in (5.65 m), arm 8 ft 10 in (2.70 m), 7,500 lb (3 400 kg) counterweight														
24 ft 7 in (7.5 m)											20 ft 0 in (6.10 m)	7,980 lb (3 620 kg)*	7,980 lb (3 620 kg)*	
19 ft 8 in (6.0 m)											23 ft 8 in (7.21 m)	7,340 lb (3 330 kg)*	7,190 lb (3 260 kg)	
14 ft 9 in (4.5 m)											25 ft 10 in (7.88 m)	7,190 lb (3 260 kg)*	6,080 lb (2 760 kg)	
9 ft 10 in (3.0 m)											27 ft 0 in (8.22 m)	7,340 lb (3 330 kg)*	5,530 lb (2 510 kg)	
4 ft 11 in (1.5 m)											27 ft 2 in (8.27 m)	7,800 lb (3 540 kg)*	5,360 lb (2 430 kg)	
0 ft (0 m)	13,820 lb (6 270 kg)*	13,820 lb (6 270 kg)*	19,310 lb (8 760 kg)	12,040 lb (5 460 kg)	12,460 lb (5 650 kg)	8,160 lb (3 700 kg)	9,040 lb (4 100 kg)	6,020 lb (2 730 kg)				26 ft 5 in (8.05 m)	8,200 lb (3 720 kg)	5,490 lb (2 490 kg)
-4 ft 11 in (-1.5 m)	25,770 lb (11 690 kg)*	22,380 lb (10 150 kg)	19,200 lb (8 710 kg)	11,950 lb (5 420 kg)	12,320 lb (5 590 kg)	8,050 lb (3 650 kg)	9,040 lb (4 100 kg)	6,020 lb (2 730 kg)				24 ft 8 in (7.51 m)	9,020 lb (4 090 kg)	6,020 lb (2 730 kg)
-9 ft 10 in (-3.0 m)	26,570 lb (12 050 kg)*	22,820 lb (10 350 kg)	19,420 lb (8 810 kg)	12,130 lb (5 500 kg)	12,480 lb (5 660 kg)	8,180 lb (3 710 kg)					21 ft 7 in (6.59 m)	10,980 lb (4 980 kg)	7,280 lb (3 300 kg)	
-14 ft 9 in (-4.5 m)											16 ft 8 in (5.08 m)	11,050 lb (5 010 kg)*	10,800 lb (4 900 kg)	
REAR BLADE & FRONT STABILIZERS DOWN - Mono boom 18 ft 6 in (5.65 m), arm 8 ft 10 in (2.70 m), 7,500 lb (3 400 kg) counterweight														
24 ft 7 in (7.5 m)											20 ft 0 in (6.10 m)	7,980 lb (3 620 kg)*	7,980 lb (3 620 kg)*	
19 ft 8 in (6.0 m)											23 ft 8 in (7.21 m)	7,340 lb (3 330 kg)*	7,340 lb (3 330 kg)*	
14 ft 9 in (4.5 m)											25 ft 10 in (7.88 m)	7,190 lb (3 260 kg)*	7,190 lb (3 260 kg)*	
9 ft 10 in (3.0 m)											27 ft 0 in (8.22 m)	7,340 lb (3 330 kg)*	7,320 lb (3 320 kg)	
4 ft 11 in (1.5 m)											27 ft 2 in (8.27 m)	7,800 lb (3 540 kg)*	7,100 lb (3 220 kg)	
0 ft (0 m)	13,820 lb (6 270 kg)*	13,820 lb (6 270 kg)*	22,750 lb (10 320 kg)*	16,620 lb (7 540 kg)	16,620 lb (7 540 kg)	13,100 lb (5 940 kg)	13,100 lb (5 940 kg)*	8,020 lb (3 640 kg)				26 ft 5 in (8.05 m)	8,710 lb (3 950 kg)*	7,300 lb (3 310 kg)
-4 ft 11 in (-1.5 m)	25,770 lb (11 690 kg)*	25,770 lb (11 690 kg)*	22,000 lb (9 980 kg)*	16,510 lb (7 490 kg)	16,340 lb (7 410 kg)*	10,850 lb (4 920 kg)	10,740 lb (4 870 kg)*	8,020 lb (3 640 kg)				24 ft 8 in (7.51 m)	10,360 lb (4 700 kg)*	8,000 lb (3 630 kg)
-9 ft 10 in (-3.0 m)	26,570 lb (12 050 kg)*	26,570 lb (12 050 kg)*	19,420 lb (8 810 kg)	16,710 lb (7 580 kg)	14,260 lb (6 470 kg)*	10,980 lb (4 980 kg)					21 ft 7 in (6.59 m)	12,190 lb (5 530 kg)*	9,700 lb (4 400 kg)	
-14 ft 9 in (-4.5 m)											16 ft 8 in (5.08 m)	11,050 lb (5 010 kg)*	11,050 lb (5 010 kg)*	
REAR BLADE & FRONT STABILIZERS UP - Mono boom 18 ft 6 in (5.65 m), arm 8 ft 10 in (2.70 m), 7,500 lb (3 400 kg) counterweight														
24 ft 7 in (7.5 m)											20 ft 0 in (6.10 m)	7,980 lb (3 620 kg)*	7,980 lb (3 620 kg)*	
19 ft 8 in (6.0 m)											23 ft 8 in (7.21 m)	7,340 lb (3 330 kg)*	7,080 lb (3 210 kg)	
14 ft 9 in (4.5 m)											25 ft 10 in (7.88 m)	7,190 lb (3 260 kg)*	5,970 lb (2 710 kg)	
9 ft 10 in (3.0 m)											27 ft 0 in (8.22 m)	7,340 lb (3 330 kg)*	5,450 lb (2 470 kg)	
4 ft 11 in (1.5 m)											27 ft 2 in (8.27 m)	7,800 lb (3 540 kg)*	5,250 lb (2 380 kg)	
0 ft (0 m)	13,820 lb (6 270 kg)*	13,820 lb (6 270 kg)*	19,250 lb (8 730 kg)	11,840 lb (5 370 kg)	12,410 lb (5 630 kg)	8,000 lb (3 630 kg)	9,020 lb (4 090 kg)	5,910 lb (2 680 kg)				26 ft 5 in (8.05 m)	8,160 lb (3 700 kg)	5,380 lb (2 440 kg)
-4 ft 11 in (-1.5 m)	25,770 lb (11 690 kg)*	22,020 lb (9 990 kg)	19,140 lb (8 680 kg)	11,750 lb (5 330 kg)	12,300 lb (5 580 kg)	7,890 lb (3 580 kg)	8,990 lb (4 080 kg)	5,910 lb (2 680 kg)				24 ft 8 in (7.51 m)	8,990 lb (4 080 kg)	5,910 lb (2 680 kg)
-9 ft 10 in (-3.0 m)	26,570 lb (12 050 kg)*	22,440 lb (10 180 kg)	19,360 lb (8 780 kg)	11,930 lb (5 410 kg)	12,430 lb (5 640 kg)	8,020 lb (3 640 kg)					21 ft 7 in (6.59 m)	10,930 lb (4 960 kg)	7,140 lb (3 240 kg)	
-14 ft 9 in (-4.5 m)											16 ft 8 in (5.08 m)	11,050 lb (5 010 kg)*	10,630 lb (4 820 kg)	

NOTE: *The above loads (kg) are compliant to the ISO standards and refer to the excavator equipped without bucket. The indicated loads are no more than 87% of hydraulic system lift capacity or 75% of static tipping load. Values marked with an asterisk (*) are limited by the hydraulic lifting capacity.

LIFTING CAPACITIES - MONOBOOM

Load/Lift Point Height									MAXIMUM REACH						
	4 ft 11 in (1.5 m)		9 ft 10 in (3.0 m)		14 ft 9 in (4.5 m)		19 ft 8 in (6.0 m)		24 ft 7 in (7.5 m)		REACH	CAPACITY			
	END	SIDE	END	SIDE	END	SIDE	END	SIDE	END	SIDE	@	END	SIDE		
FRONT & REAR STABILIZERS DOWN - Mono boom 18 ft 6 in (5.65 m), arm 8 ft 10 in (2.70 m), 7,500 lb (3 400 kg) counterweight															
24 ft 7 in (7.5 m)									9,220 lb (4 180 kg)*	9,220 lb (4 180 kg)*		20 ft 0 in (6.10 m)	7,980 lb (3 620 kg)*	7,980 lb (3 620 kg)*	
19 ft 8 in (6.0 m)									11,620 lb (5 270 kg)*	11,620 lb (5 270 kg)*		23 ft 8 in (7.21 m)	7,340 lb (3 330 kg)*	7,340 lb (3 330 kg)*	
14 ft 9 in (4.5 m)					15,080 lb (6 840 kg)*	15,080 lb (6 840 kg)*	12,680 lb (5 750 kg)*	12,680 lb (5 750 kg)*	11,550 lb (5 240 kg)*	10,210 lb (4 630 kg)		25 ft 10 in (7.88 m)	7,190 lb (3 260 kg)*	7,190 lb (3 260 kg)*	
9 ft 10 in (3.0 m)					18,740 lb (8 500 kg)*	18,740 lb (8 500 kg)*	14,290 lb (6 480 kg)*	14,040 lb (6 370 kg)	12,150 lb (5 510 kg)*	9,990 lb (4 530 kg)		27 ft 0 in (8.22 m)	7,340 lb (3 330 kg)*	7,340 lb (3 330 kg)*	
4 ft 11 in (1.5 m)					21,690 lb (9 840 kg)*	20,920 lb (9 490 kg)	15,810 lb (7 170 kg)*	13,490 lb (6 120 kg)	12,830 lb (5 820 kg)*	9,720 lb (4 410 kg)		27 ft 2 in (8.27 m)	7,800 lb (3 540 kg)*	7,800 lb (3 540 kg)*	
0 ft (0 m)					13,820 lb (6 270 kg)*	13,820 lb (6 270 kg)*	22,750 lb (10 320 kg)*	20,350 lb (9 230 kg)	16,620 lb (7 540 kg)*	13,140 lb (5 960 kg)	13,100 lb (5 940 kg)*	9,550 lb (4 330 kg)	26 ft 5 in (8.05 m)	8,710 lb (3 950 kg)*	8,640 lb (3 920 kg)
-4 ft 11 in (-1.5 m)					25,770 lb (11 690 kg)*	25,770 lb (11 690 kg)*	22,000 lb (9 980 kg)*	20,240 lb (9 180 kg)	16,340 lb (7 410 kg)*	13,010 lb (5 900 kg)	10,740 lb (4 870 kg)*	9,520 lb (4 320 kg)	24 ft 8 in (7.51 m)	10,360 lb (4 700 kg)*	9,520 lb (4 320 kg)
-9 ft 10 in (-3.0 m)					26,570 lb (12 050 kg)*	26,570 lb (12 050 kg)*	19,420 lb (8 810 kg)*	19,420 lb (8 810 kg)*	14,260 lb (6 470 kg)*	13,160 lb (5 970 kg)		21 ft 7 in (6.59 m)	12,190 lb (5 530 kg)*	11,570 lb (5 250 kg)	
-14 ft 9 in (-4.5 m)							13,430 lb (6 090 kg)*	13,430 lb (6 090 kg)*				16 ft 8 in (5.08 m)	11,050 lb (5 010 kg)*	11,050 lb (5 010 kg)*	

FRONT & REAR STABILIZERS UP - Mono boom 18 ft 6 in (5.65 m), arm 8 ft 10 in (2.70 m), 7,500 lb (3 400 kg) counterweight															
24 ft 7 in (7.5 m)									9,220 lb (4 180 kg)*	9,220 lb (4 180 kg)*		20 ft 0 in (6.10 m)	7,980 lb (3 620 kg)*	7,980 lb (3 620 kg)*	
19 ft 8 in (6.0 m)									11,620 lb (5 270 kg)*	9,680 lb (4 390 kg)		23 ft 8 in (7.21 m)	7,340 lb (3 330 kg)*	7,050 lb (3 200 kg)	
14 ft 9 in (4.5 m)					15,080 lb (6 840 kg)*	14,480 lb (6 570 kg)	12,680 lb (5 750 kg)*	9,330 lb (4 230 kg)	9,680 lb (4 390 kg)	6,530 lb (2 960 kg)		25 ft 10 in (7.88 m)	7,190 lb (3 260 kg)*	5,970 lb (2 710 kg)	
9 ft 10 in (3.0 m)					18,740 lb (8 500 kg)*	13,290 lb (6 030 kg)	13,340 lb (6 050 kg)	8,820 lb (4 000 kg)	9,460 lb (4 290 kg)	6,310 lb (2 860 kg)		27 ft 0 in (8.22 m)	7,340 lb (3 330 kg)*	5,420 lb (2 460 kg)	
4 ft 11 in (1.5 m)					19,820 lb (8 990 kg)	12,300 lb (5 580 kg)	12,790 lb (5 800 kg)	8,310 lb (3 770 kg)	9,190 lb (4 170 kg)	6,060 lb (2 750 kg)		27 ft 2 in (8.27 m)	7,800 lb (3 540 kg)*	5,250 lb (2 380 kg)	
0 ft (0 m)					13,820 lb (6 270 kg)*	13,820 lb (6 270 kg)*	19,250 lb (8 730 kg)	11,820 lb (5 360 kg)	12,410 lb (5 630 kg)	8,000 lb (3 630 kg)	9,020 lb (4 090 kg)	5,910 lb (2 680 kg)	26 ft 5 in (8.05 m)	8,160 lb (3 700 kg)	5,380 lb (2 440 kg)
-4 ft 11 in (-1.5 m)					25,770 lb (11 690 kg)*	21,980 lb (9 970 kg)	19,140 lb (8 680 kg)	11,730 lb (5 320 kg)	12,300 lb (5 580 kg)	7,890 lb (3 580 kg)	5,910 lb (2 680 kg)	5,910 lb (2 680 kg)	24 ft 8 in (7.51 m)	8,990 lb (4 080 kg)	5,890 lb (2 670 kg)
-9 ft 10 in (-3.0 m)					26,570 lb (12 050 kg)*	22,400 lb (10 160 kg)	19,360 lb (8 780 kg)	11,900 lb (5 400 kg)	12,430 lb (5 640 kg)	8,020 lb (3 640 kg)		21 ft 7 in (6.59 m)	10,930 lb (4 960 kg)*	7,140 lb (3 240 kg)	
-14 ft 9 in (-4.5 m)							13,430 lb (6 090 kg)*	12,480 lb (5 660 kg)				16 ft 8 in (5.08 m)	11,050 lb (5 010 kg)*	10,600 lb (4 810 kg)	

FRONT BLADE & REAR STABILIZERS DOWN - Mono boom 18 ft 6 in (5.65 m), arm 9 ft 7 in (2.92 m), 7,500 lb (3 400 kg) counterweight															
24 ft 7 in (7.5 m)									10,320 lb (4 680 kg)*	10,320 lb (4 680 kg)*		21 ft 0 in (6.39 m)	6,920 lb (3 140 kg)*	6,920 lb (3 140 kg)*	
19 ft 8 in (6.0 m)									11,070 lb (5 020 kg)*	11,070 lb (5 020 kg)*		24 ft 5 in (7.45 m)	6,390 lb (2 900 kg)*	6,390 lb (2 900 kg)*	
14 ft 9 in (4.5 m)					14,330 lb (6 500 kg)*	14,330 lb (6 500 kg)*	12,170 lb (5 520 kg)*	12,170 lb (5 520 kg)*	11,090 lb (5 030 kg)*	9,060 lb (4 110 kg)		26 ft 7 in (8.10 m)	6,260 lb (2 840 kg)*	6,260 lb (2 840 kg)*	
9 ft 10 in (3.0 m)					17,990 lb (8 160 kg)*	17,990 lb (8 160 kg)*	13,820 lb (6 270 kg)*	12,390 lb (5 620 kg)	11,770 lb (5 340 kg)*	8,820 lb (4 000 kg)		27 ft 8 in (8.43 m)	6,370 lb (2 890 kg)*	6,370 lb (2 890 kg)*	
4 ft 11 in (1.5 m)					21,120 lb (9 580 kg)*	18,060 lb (8 190 kg)	15,410 lb (6 990 kg)*	11,820 lb (5 360 kg)	12,520 lb (5 680 kg)*	8,530 lb (3 870 kg)		27 ft 10 in (8.49 m)	6,770 lb (3 070 kg)*	6,770 lb (3 070 kg)*	
0 ft (0 m)					14,660 lb (6 650 kg)*	14,660 lb (6 650 kg)*	22,440 lb (10 180 kg)*	17,420 lb (7 900 kg)	16,360 lb (7 420 kg)	11,420 lb (5 180 kg)	12,900 lb (5 850 kg)*	8,330 lb (3 760 kg)	27 ft 2 in (8.27 m)	7,500 lb (3 400 kg)*	7,280 lb (3 300 kg)
-4 ft 11 in (-1.5 m)	15,850 lb (7 190 kg)*	15,850 lb (7 190 kg)*	24,800 lb (11 250 kg)*	24,800 lb (11 250 kg)*	22,000 lb (9 980 kg)*	17,260 lb (7 830 kg)	16,250 lb (7 370 kg)*	11,270 lb (5 110 kg)	12,390 lb (5 620 kg)*	8,290 lb (3 760 kg)		25 ft 5 in (7.75 m)	8,840 lb (4 010 kg)*	7,940 lb (3 600 kg)	
-9 ft 10 in (-3.0 m)	26,170 lb (11 870 kg)*	26,170 lb (11 870 kg)*	27,450 lb (12 450 kg)*	27,450 lb (12 450 kg)*	19,730 lb (8 950 kg)*	17,440 lb (7 910 kg)	14,550 lb (6 600 kg)*	11,380 lb (5 160 kg)				22 ft 6 in (6.86 m)	11,550 lb (5 240 kg)*	9,500 lb (4 310 kg)	
-14 ft 9 in (-4.5 m)					19,930 lb (9 040 kg)*	19,930 lb (9 040 kg)*	14,510 lb (6 580 kg)*	14,510 lb (6 580 kg)*				17 ft 10 in (5.43 m)	10,930 lb (4 960 kg)*	10,930 lb (4 960 kg)*	

FRONT BLADE & REAR STABILIZERS UP - Mono boom 18 ft 6 in (5.65 m), arm 9 ft 7 in (2.92 m), 7,500 lb (3 400 kg) counterweight															
24 ft 7 in (7.5 m)									10,320 lb (4 680 kg)*	9,880 lb (4 480 kg)		21 ft 0 in (6.39 m)	6,920 lb (3 140 kg)*	6,920 lb (3 140 kg)*	
19 ft 8 in (6.0 m)									11,070 lb (5 020 kg)*	9,830 lb (4 460 kg)		24 ft 5 in (7.45 m)	6,390 lb (2 900 kg)*	6,390 lb (2 900 kg)*	
14 ft 9 in (4.5 m)					14,330 lb (6 500 kg)*	14,330 lb (6 500 kg)*	12,170 lb (5 520 kg)*	9,460 lb (4 290 kg)	9,660 lb (4 380 kg)	6,570 lb (2 980 kg)		26 ft 7 in (8.10 m)	6,260 lb (2 840 kg)*	5,730 lb (2 600 kg)	
9 ft 10 in (3.0 m)					17,990 lb (8 160 kg)*	13,510 lb (6 130 kg)	13,320 lb (6 040 kg)	8,910 lb (4 040 kg)	9,390 lb (4 260 kg)	6,350 lb (2 880 kg)		27 ft 8 in (8.43 m)	6,370 lb (2 890 kg)*	5,220 lb (2 370 kg)	
4 ft 11 in (1.5 m)					19,820 lb (8 990 kg)	12,430 lb (5 640 kg)	12,720 lb (5 770 kg)	8,380 lb (3 800 kg)	9,110 lb (4 130 kg)	6,080 lb (2 760 kg)		27 ft 10 in (8.49 m)	6,770 lb (3 070 kg)*	5,030 lb (2 280 kg)	
0 ft (0 m)					14,660 lb (6 650 kg)*	14,660 lb (6 650 kg)*	19,140 lb (8 680 kg)	11,860 lb (5 380 kg)	12,320 lb (5 590 kg)	8,000 lb (3 630 kg)	8,910 lb (4 040 kg)	5,890 lb (2 670 kg)	27 ft 2 in (8.27 m)	7,500 lb (3 400 kg)*	5,140 lb (2 330 kg)
-4 ft 11 in (-1.5 m)	15,850 lb (7 190 kg)*	15,850 lb (7 190 kg)*	24,800 lb (11 250 kg)*	21,960 lb (9 960 kg)	18,960 lb (8 600 kg)	11,710 lb (5 310 kg)	12,150 lb (5 510 kg)	7,870 lb (3 570 kg)	7,870 lb (3 570 kg)	5,840 lb (2 650 kg)		25 ft 5 in (7.75 m)	8,490 lb (3 850 kg)	5,620 lb (2 550 kg)	
-9 ft 10 in (-3.0 m)	26,170 lb (11 870 kg)*	26,170 lb (11 870 kg)*	27,450 lb (12 450 kg)*	22,400 lb (10 160 kg)	19,160 lb (8 690 kg)	11,880 lb (5 390 kg)	12,260 lb (5 560 kg)	7,960 lb (3 610 kg)				22 ft 6 in (6.86 m)	10,210 lb (4 630 kg)*	6,720 lb (3 050 kg)	
-14 ft 9 in (-4.5 m)					19,930 lb (9 040 kg)*	19,930 lb (9 040 kg)*	14,510 lb (6 580 kg)*	12,390 lb (5 620 kg)				17 ft 10 in (5.43 m)	10,930 lb (4 960 kg)*	9,630 lb (4 370 kg)	

NOTE: *The above loads (kg) are compliant to the ISO standards and refer to the excavator equipped without bucket. The indicated loads are no more than 87% of hydraulic system lift capacity or 75% of static tipping load. Values marked with an asterisk (*) are limited by the hydraulic lifting capacity.

LIFTING CAPACITIES - MONOBOOM

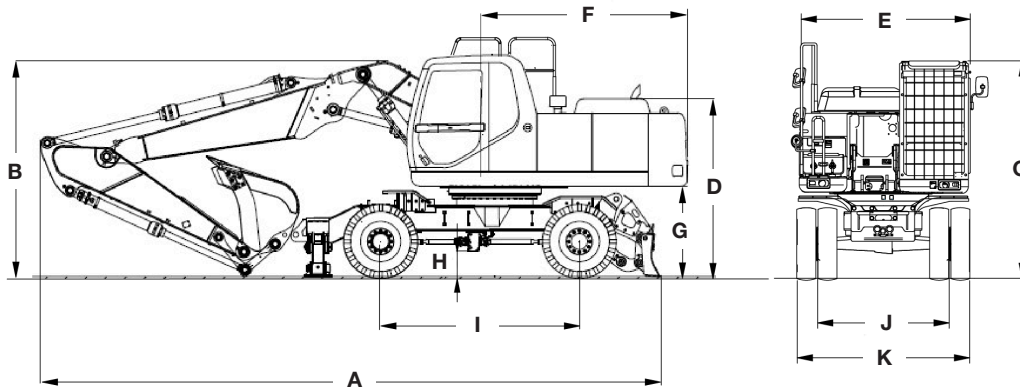
Load/Lift Point Height	LOAD RADIUS								MAXIMUM REACH						
	4 ft 11 in (1.5 m)		9 ft 10 in (3.0 m)		14 ft 9 in (4.5 m)		19 ft 8 in (6.0 m)		24 ft 7 in (7.5 m)		REACH	CAPACITY			
	END	SIDE	END	SIDE	END	SIDE	END	SIDE	END	SIDE	@	END	SIDE		
REAR BLADE & FRONT STABILIZERS DOWN - Mono boom 18 ft 6 in (5.65 m), arm 9 ft 7 in (2.92 m), 7,500 lb (3 400 kg) counterweight															
24 ft 7 in (7.5 m)									10,320 lb (4 680 kg)*	10,320 lb (4 680 kg)*			21 ft 0 in (6.39 m)	6,920 lb (3 140 kg)*	6,920 lb (3 140 kg)*
19 ft 8 in (6.0 m)									11,070 lb (5 020 kg)*	11,070 lb (5 020 kg)*			24 ft 5 in (7.45 m)	6,390 lb (2 900 kg)*	6,390 lb (2 900 kg)*
14 ft 9 in (4.5 m)					14,330 lb (6 500 kg)*	14,330 lb (6 500 kg)*		12,170 lb (5 520 kg)*	12,170 lb (5 520 kg)*	11,090 lb (5 030 kg)*	8,620 lb (3 910 kg)		26 ft 7 in (8.10 m)	6,260 lb (2 840 kg)*	6,260 lb (2 840 kg)*
9 ft 10 in (3.0 m)					17,990 lb (8 160 kg)*	17,990 lb (8 160 kg)*		13,820 lb (6 270 kg)*	11,770 lb (5 340 kg)	11,770 lb (5 340 kg)*	8,380 lb (3 800 kg)		27 ft 8 in (8.43 m)	6,370 lb (2 890 kg)*	6,370 lb (2 890 kg)*
4 ft 11 in (1.5 m)					21,120 lb (9 580 kg)*	17,060 lb (7 740 kg)		15,410 lb (6 990 kg)*	11,200 lb (5 080 kg)	12,520 lb (5 680 kg)*	8,090 lb (3 670 kg)		27 ft 10 in (8.49 m)	6,770 lb (3 070 kg)*	6,720 lb (3 050 kg)
0 ft (0 m)					14,660 lb (6 650 kg)*	14,660 lb (6 650 kg)*		22,440 lb (10 180 kg)*	16,450 lb (7 460 kg)	16,360 lb (7 420 kg)*	10,820 lb (4 910 kg)		27 ft 2 in (8.27 m)	7,500 lb (3 400 kg)*	6,880 lb (3 120 kg)
-4 ft 11 in (-1.5 m)	15,850 lb (7 190 kg)*	15,850 lb (7 190 kg)*	24,800 lb (11 250 kg)*	24,800 lb (11 250 kg)*	22,000 lb (9 980 kg)*	16,270 lb (7 380 kg)		16,250 lb (7 370 kg)	10,670 lb (4 840 kg)	12,390 lb (5 620 kg)*	7,850 lb (3 560 kg)		25 ft 5 in (7.75 m)	8,840 lb (4 010 kg)*	7,520 lb (3 410 kg)
-9 ft 10 in (-3.0 m)	26,170 lb (11 870 kg)*	26,170 lb (11 870 kg)*	27,450 lb (12 450 kg)*	27,450 lb (12 450 kg)*	19,730 lb (8 950 kg)*	16,450 lb (7 460 kg)		14,550 lb (6 600 kg)*	10,760 lb (4 880 kg)				22 ft 6 in (6.86 m)	11,550 lb (5 240 kg)*	9,020 lb (4 090 kg)
-14 ft 9 in (-4.5 m)			19,930 lb (9 040 kg)*	19,930 lb (9 040 kg)*	14,510 lb (6 580 kg)*	14,510 lb (6 580 kg)*							17 ft 10 in (5.43 m)	10,930 lb (4 960 kg)*	10,930 lb (4 960 kg)*

REAR BLADE & FRONT STABILIZERS UP - Mono boom 18 ft 6 in (5.65 m), arm 9 ft 7 in (2.92 m), 7,500 lb (3 400 kg) counterweight															
24 ft 7 in (7.5 m)									10,320 lb (4 680 kg)*	9,740 lb (4 420 kg)			21 ft 0 in (6.39 m)	6,920 lb (3 140 kg)*	6,920 lb (3 140 kg)*
19 ft 8 in (6.0 m)									11,070 lb (5 020 kg)*	9,700 lb (4 400 kg)			24 ft 5 in (7.45 m)	6,390 lb (2 900 kg)*	6,390 lb (2 900 kg)*
14 ft 9 in (4.5 m)					14,330 lb (6 500 kg)*	14,330 lb (6 500 kg)*		12,170 lb (5 520 kg)*	9,300 lb (4 220 kg)	9,630 lb (4 370 kg)	6,460 lb (2 930 kg)		26 ft 7 in (8.10 m)	6,260 lb (2 840 kg)*	5,620 lb (2 550 kg)
9 ft 10 in (3.0 m)					17,990 lb (8 160 kg)*	13,320 lb (6 040 kg)		13,290 lb (6 030 kg)	8,750 lb (3 970 kg)	9,370 lb (4 250 kg)	6,240 lb (2 830 kg)		27 ft 8 in (8.43 m)	6,370 lb (2 890 kg)*	5,110 lb (2 320 kg)
4 ft 11 in (1.5 m)					19,750 lb (8 960 kg)	12,240 lb (5 550 kg)		12,700 lb (5 760 kg)	8,220 lb (3 730 kg)	9,080 lb (4 120 kg)	5,970 lb (2 710 kg)		27 ft 10 in (8.49 m)	6,770 lb (3 070 kg)*	4,940 lb (2 240 kg)
0 ft (0 m)					14,660 lb (6 650 kg)*	14,660 lb (6 650 kg)*		19,070 lb (8 650 kg)	11,660 lb (5 290 kg)	12,280 lb (5 570 kg)	7,870 lb (3 570 kg)		27 ft 2 in (8.27 m)	7,500 lb (3 400 kg)*	5,050 lb (2 290 kg)
-4 ft 11 in (-1.5 m)	15,850 lb (7 190 kg)*	15,850 lb (7 190 kg)*	24,800 lb (11 250 kg)*	21,580 lb (9 790 kg)	18,890 lb (8 570 kg)	11,510 lb (5 220 kg)		12,130 lb (5 500 kg)	7,720 lb (3 500 kg)	8,820 lb (4 000 kg)	5,730 lb (2 600 kg)		25 ft 5 in (7.75 m)	8,470 lb (3 840 kg)	5,510 lb (2 500 kg)
-9 ft 10 in (-3.0 m)	26,170 lb (11 870 kg)*	26,170 lb (11 870 kg)*	27,450 lb (12 450 kg)*	22,020 lb (9 990 kg)	19,090 lb (8 660 kg)	11,660 lb (5 290 kg)		12,240 lb (5 550 kg)	7,830 lb (3 550 kg)				22 ft 6 in (6.86 m)	10,160 lb (4 610 kg)	6,610 lb (3 000 kg)
-14 ft 9 in (-4.5 m)			19,930 lb (9 040 kg)*	19,930 lb (9 040 kg)*	14,510 lb (6 580 kg)*	12,170 lb (5 520 kg)							17 ft 10 in (5.43 m)	10,930 lb (4 960 kg)*	9,460 lb (4 290 kg)

FRONT & REAR STABILIZERS DOWN - Mono boom 18 ft 6 in (5.65 m), arm 9 ft 7 in (2.92 m), 7,500 lb (3 400 kg) counterweight															
24 ft 7 in (7.5 m)									10,320 lb (4 680 kg)*	10,320 lb (4 680 kg)*			21 ft 0 in (6.39 m)	6,920 lb (3 140 kg)*	6,920 lb (3 140 kg)*
19 ft 8 in (6.0 m)									11,070 lb (5 020 kg)*	11,070 lb (5 020 kg)*			24 ft 5 in (7.45 m)	6,390 lb (2 900 kg)*	6,390 lb (2 900 kg)*
14 ft 9 in (4.5 m)					14,330 lb (6 500 kg)*	14,330 lb (6 500 kg)*		12,170 lb (5 520 kg)*	12,170 lb (5 520 kg)*	11,090 lb (5 030 kg)*	10,160 lb (4 610 kg)		26 ft 7 in (8.10 m)	6,260 lb (2 840 kg)*	6,260 lb (2 840 kg)*
9 ft 10 in (3.0 m)					17,990 lb (8 160 kg)*	17,990 lb (8 160 kg)*		13,820 lb (6 270 kg)*	13,820 lb (6 270 kg)*	11,770 lb (5 340 kg)*	9,900 lb (4 490 kg)		27 ft 8 in (8.43 m)	6,370 lb (2 890 kg)*	6,370 lb (2 890 kg)*
4 ft 11 in (1.5 m)					21,120 lb (9 580 kg)*	20,830 lb (9 450 kg)		15,410 lb (6 990 kg)*	13,400 lb (6 080 kg)	12,520 lb (5 680 kg)*	9,610 lb (4 360 kg)		27 ft 10 in (8.49 m)	6,770 lb (3 070 kg)*	6,770 lb (3 070 kg)*
0 ft (0 m)					14,660 lb (6 650 kg)*	14,660 lb (6 650 kg)*		22,440 lb (10 180 kg)*	20,170 lb (9 150 kg)	16,360 lb (7 420 kg)*	12,990 lb (5 890 kg)		27 ft 2 in (8.27 m)	7,500 lb (3 400 kg)*	7,500 lb (3 400 kg)*
-4 ft 11 in (-1.5 m)	15,850 lb (7 190 kg)*	15,850 lb (7 190 kg)*	24,800 lb (11 250 kg)*	24,800 lb (11 250 kg)*	22,000 lb (9 980 kg)*	20,000 lb (9 070 kg)		16,250 lb (7 370 kg)	12,830 lb (5 820 kg)	12,390 lb (5 620 kg)*	9,350 lb (4 240 kg)		25 ft 5 in (7.75 m)	8,840 lb (4 010 kg)*	8,840 lb (4 010 kg)*
-9 ft 10 in (-3.0 m)	26,170 lb (11 870 kg)*	26,170 lb (11 870 kg)*	27,450 lb (12 450 kg)*	27,450 lb (12 450 kg)*	19,730 lb (8 950 kg)*	19,730 lb (8 950 kg)		14,550 lb (6 600 kg)*	12,940 lb (5 870 kg)				22 ft 6 in (6.86 m)	11,550 lb (5 240 kg)*	10,760 lb (4 880 kg)
-14 ft 9 in (-4.5 m)			19,930 lb (9 040 kg)*	19,930 lb (9 040 kg)*	14,510 lb (6 580 kg)*	14,510 lb (6 580 kg)*							17 ft 10 in (5.43 m)	10,930 lb (4 960 kg)*	10,930 lb (4 960 kg)*

FRONT & REAR STABILIZERS UP - Mono boom 18 ft 6 in (5.65 m), arm 9 ft 7 in (2.92 m), 7,500 lb (3 400 kg) counterweight															
24 ft 7 in (7.5 m)									10,320 lb (4 680 kg)*	9,720 lb (4 410 kg)			21 ft 0 in (6.39 m)	6,920 lb (3 140 kg)*	6,920 lb (3 140 kg)*
19 ft 8 in (6.0 m)									11,070 lb (5 020 kg)*	9,680 lb (4 390 kg)			24 ft 5 in (7.45 m)	6,390 lb (2 900 kg)*	6,390 lb (2 900 kg)*
14 ft 9 in (4.5 m)					14,330 lb (6 500 kg)*	14,330 lb (6 500 kg)*		12,170 lb (5 520 kg)*	9,300 lb (4 220 kg)	9,630 lb (4 370 kg)	6,460 lb (2 930 kg)		26 ft 7 in (8.10 m)	6,260 lb (2 840 kg)*	5,620 lb (2 550 kg)
9 ft 10 in (3.0 m)					17,990 lb (8 160 kg)*	13,290 lb (6 020 kg)		13,270 lb (6 020 kg)	8,750 lb (3 970 kg)	9,370 lb (4 250 kg)	6,220 lb (2 820 kg)		27 ft 8 in (8.43 m)	6,370 lb (2 890 kg)*	5,110 lb (2 320 kg)
4 ft 11 in (1.5 m)					19,750 lb (8 960 kg)	12,210 lb (5 540 kg)		12,680 lb (5 750 kg)	8,220 lb (3 730 kg)	9,080 lb (4 120 kg)	5,950 lb (2 700 kg)		27 ft 10 in (8.49 m)	6,770 lb (3 070 kg)*	4,940 lb (2 240 kg)
0 ft (0 m)					14,660 lb (6 650 kg)*	14,660 lb (6 650 kg)*		19,070 lb (8 650 kg)	11,640 lb (5 280 kg)	12,280 lb (5 570 kg)	7,850 lb (3 560 kg)		27 ft 2 in (8.27 m)	7,500 lb (3 400 kg)*	5,030 lb (2 280 kg)
-4 ft 11 in (-1.5 m)	15,850 lb (7 190 kg)*	15,850 lb (7 190 kg)*	24,800 lb (11 250 kg)*	21,540 lb (9 770 kg)	18,890 lb (8 570 kg)	11,490 lb (5 210 kg)		12,130 lb (5 500 kg)	7,690 lb (3 490 kg)	8,820 lb (4 000 kg)	5,710 lb (2 590 kg)		25 ft 5 in (7.75 m)	8,470 lb (3 840 kg)	5,490 lb (2 490 kg)
-9 ft 10 in (-3.0 m)	26,170 lb (11 870 kg)*	26,170 lb (11 870 kg)*	27,450 lb (12 450 kg)*	21,980 lb (9 970 kg)	19,090 lb (8 660 kg)	11,640 lb (5 280 kg)		12,240 lb (5 550 kg)	7,800 lb (3 540 kg)				22 ft 6 in (6.86 m)	10,160 lb (4 610 kg)	6,590 lb (2 990 kg)
-14 ft 9 in (-4.5 m)			19,930 lb (9 040 kg)*	19,930 lb (9 040 kg)*	14,510 lb (6 580 kg)*	12,150 lb (5 510 kg)							17 ft 10 in (5.43 m)	10,930 lb (4 960 kg)*	9,460 lb (4 290 kg)

NOTE: *The above loads (kg) are compliant to the ISO standards and refer to the excavator equipped without bucket. The indicated loads are no more than 87% of hydraulic system lift capacity or 75% of static tipping load. Values marked with an asterisk (*) are limited by the hydraulic lifting capacity.



Line drawings are for illustrative purpose only and may not be exact representation of unit.

GENERAL DIMENSIONS - 2-PIECE BOOM

	9 ft 7 in (2.92 m) Arm	7 ft 10 in (2.40 m) Arm	8 ft 10 in (2.70 m) Arm
A. Overall length (with attachment):			
Traveling	22 ft 11 in (6 980 mm)	23 ft 3 in (7 090 mm)	23 ft 2 in (7 060 mm)
Transportation	30 ft 3 in (9 230 mm)	30 ft 4 in (9 240 mm)	30 ft 4 in (9 250 mm)
B. Overall height (to top of boom):			
Traveling	13 ft 1 in (3 990 mm)	13 ft 1 in (3 990 mm)	13 ft 1 in (3 990 mm)
Transportation	10 ft 5 in (3 180 mm)	10 ft 5 in (3 170 mm)	10 ft 4 in (3 150 mm)
C. Cab height	10 ft 8 in (3 260 mm)	10 ft 8 in (3 260 mm)	10 ft 8 in (3 260 mm)
D. Overall height (to top of handrail)	10 ft 11 in (3 330 mm)	10 ft 11 in (3 330 mm)	10 ft 11 in (3 330 mm)
E. Upper structure overall width	8 ft 4 in (2 530 mm)	8 ft 4 in (2 530 mm)	8 ft 4 in (2 530 mm)
F. Swing (rear end) radius	9 ft 0 in (2 740 mm)	9 ft 0 in (2 740 mm)	9 ft 0 in (2 740 mm)
G. Clearance height under upper structure	4 ft 3 in (1 295 mm)	4 ft 3 in (1 295 mm)	4 ft 3 in (1 295 mm)
H. Minimum ground clearance	1 ft 2 in (347 mm)	1 ft 2 in (347 mm)	1 ft 2 in (347 mm)
I. Wheel base (center-to-center of wheels)	9 ft 2 in (2 800 mm)	9 ft 2 in (2 800 mm)	9 ft 2 in (2 800 mm)
J. Wheel gauge	6 ft 3 in (1 914 mm) 6 ft 11 in (2 114 mm)	6 ft 3 in (1 914 mm) 6 ft 11 in (2 114 mm)	6 ft 3 in (1 914 mm) 6 ft 11 in (2 114 mm)
K. Undercarriage overall width	8 ft 4 in (2 530 mm)	8 ft 4 in (2 530 mm)	8 ft 4 in (2 530 mm)

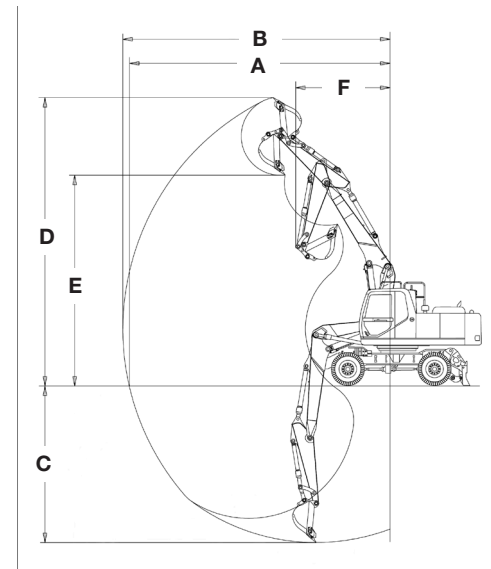
WEIGHT - 2-PIECE BOOM

Rear blade	51,787 lb (23 490 kg)
Front blade and rear stabilizers	53,649 lb (24 335 kg)
Standard counterweight	7,500 lb (3 400 kg)

NOTE: With 9 ft 7 in (2.92 m) arm, 28.3 ft³ (0.80 m³) bucket, 10.00×20 twin tires, standard counterweight, operator, lubricant, coolant, full fuel tank.

PERFORMANCE - 2-PIECE BOOM

	9 ft 7 in (2.92 m)	7 ft 10 in (2.40 m)	8 ft 10 in (2.70 m)
Boom length	17 ft 9 in (5 400 mm)	17 ft 9 in (5 400 mm)	17 ft 9 in (5 400 mm)
A. Maximum reach at groundline	31 ft 6 in (9 610 mm)	29 ft 10 in (9 100 mm)	30 ft 10 in (9 400 mm)
B. Maximum reach	32 ft 2 in (9 810 mm)	30 ft 7 in (9 310 mm)	31 ft 6 in (9 600 mm)
C. Max. digging depth	20 ft 0 in (6 090 mm)	18 ft 3 in (5 570 mm)	19 ft 3 in (5 870 mm)
D. Max. digging height	35 ft 1 in (10 690 mm)	33 ft 10 in (10 300 mm)	34 ft 6 in (10 520 mm)
E. Max. dumping height	25 ft 5 in (7 750 mm)	24 ft 2 in (7 370 mm)	24 ft 11 in (7 590 mm)
F. Min. swing radius	9 ft 5 in (2 860 mm)	9 ft 11 in (3 030 mm)	9 ft 5 in (2 870 mm)



DIGGING FORCE - 2-PIECE BOOM

	9 ft 7 in (2.92 m) Arm	7 ft 10 in (2.40 m) Arm	8 ft 10 in (2.70 m) Arm
Arm digging force	24,032 lbf (107 kN)	28,438 lbf (127 kN)	25,583 lbf (114 kN)
with Auto power up	26,078 lbf (116 kN)	30,889 lbf (137 kN)	27,764 lbf (124 kN)
Bucket digging force	33,946 lbf (151 kN)	33,946 lbf (151 kN)	33,946 lbf (151 kN)
with Auto power up	36,869 lbf (164 kN)	36,869 lbf (164 kN)	36,869 lbf (164 kN)

LIFTING CAPACITIES - 2-PIECE BOOM

Load/Lift Point Height									MAXIMUM REACH			
	9 ft 10 in (3.0 m)		14 ft 9 in (4.5 m)		19 ft 8 in (6.0 m)		24 ft 7 in (7.5 m)		REACH	CAPACITY		
	END	SIDE	END	SIDE	END	SIDE	END	SIDE	@	END	SIDE	
FRONT BLADE & REAR STABILIZERS DOWN - 2-piece boom 17 ft 9 in (5.4 m), arm 7 ft 10 in (2.40 m), 9,039 lb (4 100 kg) counterweight												
24 ft 7 in (7.5 m)			10,320 lb (4 680 kg)*	10,320 lb (4 680 kg)*						18 ft 0 in (5.48 m)	11,270 lb (5 110 kg)*	11,270 lb (5 110 kg)*
19 ft 8 in (6.0 m)			10,600 lb (4 810 kg)*	10,600 lb (4 810 kg)*	10,580 lb (4 800 kg)*	10,580 lb (4 800 kg)*				22 ft 0 in (6.69 m)	10,410 lb (4 720 kg)*	10,410 lb (4 720 kg)*
14 ft 9 in (4.5 m)	17,390 lb (7 890 kg)*	17,390 lb (7 890 kg)*	13,030 lb (5 910 kg)*	13,030 lb (5 910 kg)*	11,400 lb (5 170 kg)*	11,400 lb (5 170 kg)*				24 ft 4 in (7.41 m)	9,940 lb (4 510 kg)*	9,940 lb (4 510 kg)*
9 ft 10 in (3.0 m)			16,760 lb (7 600 kg)*	16,760 lb (7 600 kg)*	13,050 lb (5 920 kg)*	13,050 lb (5 920 kg)*	11,660 lb (5 290 kg)*	9,700 lb (4 400 kg)		25 ft 6 in (7.77 m)	9,960 lb (4 520 kg)*	9,150 lb (4 150 kg)
4 ft 11 in (1.5 m)			20,280 lb (9 200 kg)*	19,860 lb (8 910 kg)	14,860 lb (6 740 kg)*	13,050 lb (5 920 kg)	12,480 lb (5 660 kg)*	9,500 lb (4 310 kg)		25 ft 8 in (7.83 m)	10,450 lb (4 740 kg)*	8,930 lb (4 050 kg)
0 ft (0 m)			22,310 lb (10 120 kg)*	19,380 lb (8 790 kg)	16,230 lb (7 360 kg)*	12,760 lb (5 790 kg)	13,120 lb (5 950 kg)*	9,390 lb (4 260 kg)		24 ft 11 in (7.59 m)	11,490 lb (5 210 kg)*	9,260 lb (4 200 kg)
-4 ft 11 in (-1.5 m)	27,510 lb (12 480 kg)*	27,510 lb (12 480 kg)*	22,730 lb (10 310 kg)*	19,360 lb (8 780 kg)	16,690 lb (7 570 kg)*	12,700 lb (5 760 kg)				23 ft 0 in (7.02 m)	13,510 lb (6 130 kg)*	10,320 lb (4 680 kg)

FRONT BLADE & REAR STABILIZERS UP - 2-piece boom 17 ft 9 in (5.4 m), arm 7 ft 10 in (2.40 m), 9,039 lb (4 100 kg) counterweight												
24 ft 7 in (7.5 m)			10,320 lb (4 680 kg)*	10,320 lb (4 680 kg)*						18 ft 0 in (5.48 m)	11,270 lb (5 110 kg)*	11,270 lb (5 110 kg)*
19 ft 8 in (6.0 m)			10,600 lb (4 810 kg)*	10,600 lb (4 810 kg)*	10,580 lb (4 800 kg)*	10,580 lb (4 800 kg)*				22 ft 0 in (6.69 m)	10,410 lb (4 720 kg)*	8,800 lb (3 990 kg)
14 ft 9 in (4.5 m)	17,390 lb (7 890 kg)*	17,390 lb (7 890 kg)*	13,030 lb (5 910 kg)*	13,030 lb (5 910 kg)*	11,400 lb (5 170 kg)*	10,320 lb (4 680 kg)				24 ft 4 in (7.41 m)	9,940 lb (4 510 kg)*	7,360 lb (3 340 kg)
9 ft 10 in (3.0 m)			16,760 lb (7 600 kg)*	14,820 lb (6 720 kg)	13,050 lb (5 920 kg)*	9,850 lb (4 470 kg)	10,360 lb (4 700 kg)	7,100 lb (3 220 kg)		25 ft 6 in (7.77 m)	9,770 lb (4 430 kg)	6,700 lb (3 040 kg)
4 ft 11 in (1.5 m)			20,280 lb (9 200 kg)*	13,890 lb (6 300 kg)	14,090 lb (6 390 kg)	9,410 lb (4 270 kg)	10,160 lb (4 610 kg)	6,900 lb (3 130 kg)		25 ft 8 in (7.83 m)	9,520 lb (4 320 kg)	6,500 lb (2 950 kg)
0 ft (0 m)			21,320 lb (9 670 kg)	13,470 lb (6 110 kg)	13,760 lb (6 240 kg)	9,130 lb (4 140 kg)	10,050 lb (4 560 kg)	6,810 lb (3 090 kg)		24 ft 11 in (7.59 m)	9,900 lb (4 490 kg)	6,700 lb (3 040 kg)
-4 ft 11 in (-1.5 m)	27,510 lb (12 480 kg)*	25,070 lb (11 370 kg)	21,270 lb (9 650 kg)	13,430 lb (6 090 kg)	13,710 lb (6 220 kg)	9,080 lb (4 120 kg)				23 ft 0 in (7.02 m)	11,070 lb (5 020 kg)	7,470 lb (3 390 kg)

REAR BLADE & FRONT STABILIZERS DOWN - 2-piece boom 17 ft 9 in (5.4 m), arm 7 ft 10 in (2.40 m), 9,039 lb (4 100 kg) counterweight												
24 ft 7 in (7.5 m)			10,320 lb (4 680 kg)*	10,320 lb (4 680 kg)*						18 ft 0 in (5.48 m)	11,270 lb (5 110 kg)*	11,270 lb (5 110 kg)*
19 ft 8 in (6.0 m)			10,600 lb (4 810 kg)*	10,600 lb (4 810 kg)*	10,580 lb (4 800 kg)*	10,580 lb (4 800 kg)*				22 ft 0 in (6.69 m)	10,410 lb (4 720 kg)*	10,410 lb (4 720 kg)*
14 ft 9 in (4.5 m)	17,390 lb (7 890 kg)*	17,390 lb (7 890 kg)*	13,030 lb (5 910 kg)*	13,030 lb (5 910 kg)*	11,400 lb (5 170 kg)*	11,400 lb (5 170 kg)*				24 ft 4 in (7.41 m)	9,940 lb (4 510 kg)*	9,550 lb (4 330 kg)
9 ft 10 in (3.0 m)			16,760 lb (7 600 kg)*	16,760 lb (7 600 kg)*	13,050 lb (5 920 kg)*	12,900 lb (5 850 kg)	11,660 lb (5 290 kg)*	9,240 lb (4 190 kg)		25 ft 6 in (7.77 m)	9,960 lb (4 520 kg)*	8,730 lb (3 960 kg)
4 ft 11 in (1.5 m)			20,280 lb (9 200 kg)*	18,830 lb (8 540 kg)	14,860 lb (6 740 kg)*	12,430 lb (5 640 kg)	12,480 lb (5 660 kg)*	9,040 lb (4 100 kg)		25 ft 8 in (7.83 m)	10,450 lb (4 740 kg)*	8,510 lb (3 860 kg)
0 ft (0 m)			22,310 lb (10 120 kg)*	18,360 lb (8 330 kg)	16,230 lb (7 360 kg)*	12,130 lb (5 500 kg)	13,120 lb (5 950 kg)*	8,930 lb (4 050 kg)		24 ft 11 in (7.59 m)	11,490 lb (5 210 kg)*	8,800 lb (3 990 kg)
-4 ft 11 in (-1.5 m)	27,510 lb (12 480 kg)*	27,510 lb (12 480 kg)*	22,730 lb (10 310 kg)*	18,320 lb (8 310 kg)	16,690 lb (7 570 kg)*	12,080 lb (5 480 kg)				23 ft 0 in (7.02 m)	13,510 lb (6 130 kg)*	9,830 lb (4 460 kg)

REAR BLADE & FRONT STABILIZERS UP - 2-piece boom 17 ft 9 in (5.4 m), arm 7 ft 10 in (2.40 m), 9,039 lb (4 100 kg) counterweight												
24 ft 7 in (7.5 m)			10,320 lb (4 680 kg)*	10,320 lb (4 680 kg)*						18 ft 0 in (5.48 m)	11,270 lb (5 110 kg)*	11,270 lb (5 110 kg)*
19 ft 8 in (6.0 m)			10,600 lb (4 810 kg)*	10,600 lb (4 810 kg)*	10,580 lb (4 800 kg)*	10,470 lb (4 750 kg)				22 ft 0 in (6.69 m)	10,410 lb (4 720 kg)*	8,660 lb (3 930 kg)
14 ft 9 in (4.5 m)	17,390 lb (7 890 kg)*	17,390 lb (7 890 kg)*	13,030 lb (5 910 kg)*	13,030 lb (5 910 kg)*	11,400 lb (5 170 kg)*	10,190 lb (4 620 kg)				24 ft 4 in (7.41 m)	9,940 lb (4 510 kg)*	7,250 lb (3 290 kg)
9 ft 10 in (3.0 m)			16,760 lb (7 600 kg)*	14,590 lb (6 620 kg)	13,050 lb (5 920 kg)*	9,720 lb (4 410 kg)	10,320 lb (4 680 kg)	6,990 lb (3 170 kg)		25 ft 6 in (7.77 m)	9,740 lb (4 420 kg)	6,590 lb (2 990 kg)
4 ft 11 in (1.5 m)			20,280 lb (9 200 kg)*	13,690 lb (6 210 kg)	14,040 lb (6 370 kg)*	9,280 lb (4 210 kg)	10,120 lb (4 590 kg)	6,790 lb (3 080 kg)		25 ft 8 in (7.83 m)	9,500 lb (4 310 kg)	6,390 lb (2 900 kg)
0 ft (0 m)			21,250 lb (9 640 kg)	13,250 lb (6 010 kg)	13,710 lb (6 220 kg)	8,990 lb (4 080 kg)	10,010 lb (4 540 kg)	6,700 lb (3 040 kg)		24 ft 11 in (7.59 m)	9,850 lb (4 470 kg)	6,590 lb (2 990 kg)
-4 ft 11 in (-1.5 m)	27,510 lb (12 480 kg)*	24,710 lb (11 210 kg)	21,210 lb (9 620 kg)	13,230 lb (6 000 kg)	13,670 lb (6 200 kg)	8,950 lb (4 060 kg)				23 ft 0 in (7.02 m)	11,020 lb (5 000 kg)	7,360 lb (3 340 kg)

FRONT & REAR STABILIZERS DOWN - 2-piece boom 17 ft 9 in (5.4 m), arm 7 ft 10 in (2.40 m), 9,039 lb (4 100 kg) counterweight												
24 ft 7 in (7.5 m)			10,320 lb (4 680 kg)*	10,320 lb (4 680 kg)*						18 ft 0 in (5.48 m)	11,270 lb (5 110 kg)*	11,270 lb (5 110 kg)*
19 ft 8 in (6.0 m)			10,600 lb (4 810 kg)*	10,600 lb (4 810 kg)*	10,580 lb (4 800 kg)*	10,580 lb (4 800 kg)*				22 ft 0 in (6.69 m)	10,410 lb (4 720 kg)*	10,410 lb (4 720 kg)*
14 ft 9 in (4.5 m)	17,390 lb (7 890 kg)*	17,390 lb (7 890 kg)*	13,030 lb (5 910 kg)*	13,030 lb (5 910 kg)*	11,400 lb (5 170 kg)*	11,400 lb (5 170 kg)*				24 ft 4 in (7.41 m)	9,940 lb (4 510 kg)*	9,940 lb (4 510 kg)*
9 ft 10 in (3.0 m)			16,760 lb (7 600 kg)*	16,760 lb (7 600 kg)*	13,050 lb (5 920 kg)*	13,050 lb (5 920 kg)*	11,660 lb (5 290 kg)*	10,850 lb (4 920 kg)		25 ft 6 in (7.77 m)	9,960 lb (4 520 kg)*	9,960 lb (4 520 kg)*
4 ft 11 in (1.5 m)			20,280 lb (9 200 kg)*	20,280 lb (9 200 kg)*	14,860 lb (6 740 kg)*	14,750 lb (6 690 kg)	12,480 lb (5 660 kg)*	10,650 lb (4 830 kg)		25 ft 8 in (7.83 m)	10,450 lb (4 740 kg)*	10,010 lb (4 540 kg)
0 ft (0 m)			22,310 lb (10 120 kg)*	22,310 lb (10 120 kg)*	16,230 lb (7 360 kg)*	14,440 lb (6 550 kg)	13,120 lb (5 950 kg)*	10,540 lb (4 780 kg)		24 ft 11 in (7.59 m)	11,490 lb (5 210 kg)*	10,380 lb (4 710 kg)
-4 ft 11 in (-1.5 m)	27,510 lb (12 480 kg)*	27,510 lb (12 480 kg)*	22,730 lb (10 310 kg)*	22,310 lb (10 120 kg)	16,690 lb (7 570 kg)*	14,370 lb (6 520 kg)				23 ft 0 in (7.02 m)	13,510 lb (6 130 kg)*	11,620 lb (5 270 kg)

NOTE: *The above loads (kg) are compliant to the ISO standards and refer to the excavator equipped without bucket. The indicated loads are no more than 87% of hydraulic system lift capacity or 75% of static tipping load. Values marked with an asterisk (*) are limited by the hydraulic lifting capacity.

LIFTING CAPACITIES - 2-PIECE BOOM

Load/Lift Point Height									MAXIMUM REACH		
	9 ft 10 in (3.0 m)		14 ft 9 in (4.5 m)		19 ft 8 in (6.0 m)		24 ft 7 in (7.5 m)		REACH	CAPACITY	
	END	SIDE	END	SIDE	END	SIDE	END	SIDE		@	END
FRONT & REAR STABILIZERS UP - 2-piece boom 17 ft 9 in (5.4 m), arm 7 ft 10 in (2.40 m), 9,039 lb (4 100 kg) counterweight											
24 ft 7 in (7.5 m)			10,320 lb (4 680 kg)*	10,320 lb (4 680 kg)*					18 ft 0 in (5.48 m)	11,270 lb (5 110 kg)*	11,270 lb (5 110 kg)*
19 ft 8 in (6.0 m)			10,600 lb (4 810 kg)*	10,600 lb (4 810 kg)*	10,580 lb (4 800 kg)*	10,450 lb (4 740 kg)*			22 ft 0 in (6.69 m)	10,410 lb (4 720 kg)*	8,640 lb (3 920 kg)
14 ft 9 in (4.5 m)	17,390 lb (7 890 kg)*	17,390 lb (7 890 kg)*	13,030 lb (5 910 kg)*	13,030 lb (5 910 kg)*	11,400 lb (5 170 kg)*	10,160 lb (4 610 kg)			24 ft 4 in (7.41 m)	9,940 lb (4 510 kg)*	7,320 lb (3 280 kg)
9 ft 10 in (3.0 m)			16,760 lb (7 600 kg)*	14,570 lb (6 610 kg)	13,050 lb (5 920 kg)*	9,700 lb (4 400 kg)	10,320 lb (4 680 kg)	6,970 lb (3 160 kg)	25 ft 6 in (7.77 m)	9,740 lb (4 420 kg)	6,570 lb (2 890 kg)
4 ft 11 in (1.5 m)			20,280 lb (9 200 kg)*	13,650 lb (6 190 kg)	14,040 lb (6 370 kg)	9,260 lb (4 200 kg)	10,120 lb (4 590 kg)	6,790 lb (3 080 kg)	25 ft 8 in (7.83 m)	9,500 lb (4 310 kg)	6,370 lb (2 890 kg)
0 ft (0 m)			21,250 lb (9 640 kg)	13,230 lb (6 000 kg)	13,710 lb (6 220 kg)	8,970 lb (4 070 kg)	10,010 lb (4 540 kg)	6,680 lb (3 030 kg)	24 ft 11 in (7.59 m)	9,850 lb (4 470 kg)	6,590 lb (2 990 kg)
-4 ft 11 in (-1.5 m)	27,510 lb (12 480 kg)*	24,670 lb (11 190 kg)	21,210 lb (9 620 kg)	13,210 lb (5 990 kg)	13,670 lb (6 200 kg)	8,930 lb (4 050 kg)			23 ft 0 in (7.02 m)	11,020 lb (5 000 kg)	7,340 lb (3 330 kg)

FRONT BLADE & REAR STABILIZERS DOWN - 2-piece boom 17 ft 9 in (5.4 m), arm 8 ft 10 in (2.70 m), 9,039 lb (4 100 kg) counterweight											
29 ft 6 in (9.0 m)									12 ft 8 in (3.87 m)	11,710 lb (5 310 kg)*	11,710 lb (5 310 kg)*
24 ft 7 in (7.5 m)									19 ft 3 in (5.87 m)	8,880 lb (4 030 kg)*	8,880 lb (4 030 kg)*
19 ft 8 in (6.0 m)			9,810 lb (4 450 kg)*	9,810 lb (4 450 kg)*	9,940 lb (4 510 kg)*	9,940 lb (4 510 kg)*			23 ft 0 in (7.02 m)	7,960 lb (3 610 kg)*	7,960 lb (3 610 kg)*
14 ft 9 in (4.5 m)	15,500 lb (7 030 kg)*	15,500 lb (7 030 kg)*	12,210 lb (5 540 kg)*	12,210 lb (5 540 kg)*	10,890 lb (4 940 kg)*	10,890 lb (4 940 kg)*	10,630 lb (4 820 kg)	9,960 lb (4 520 kg)	25 ft 4 in (7.71 m)	7,630 lb (3 460 kg)*	7,630 lb (3 460 kg)*
9 ft 10 in (3.0 m)			15,980 lb (7 250 kg)*	15,980 lb (7 250 kg)*	12,610 lb (5 720 kg)*	12,610 lb (5 720 kg)*	11,240 lb (5 100 kg)*	9,790 lb (4 440 kg)	26 ft 5 in (8.05 m)	7,670 lb (3 480 kg)*	7,670 lb (3 480 kg)*
4 ft 11 in (1.5 m)			19,710 lb (8 940 kg)*	19,710 lb (8 940 kg)*	14,510 lb (6 580 kg)	13,160 lb (5 970 kg)	12,190 lb (5 530 kg)	9,550 lb (4 330 kg)	26 ft 7 in (8.11 m)	8,020 lb (3 640 kg)*	8,020 lb (3 640 kg)*
0 ft (0 m)	14,310 lb (6 490 kg)*	14,310 lb (6 490 kg)*	22,070 lb (10 010 kg)*	19,510 lb (8 850 kg)	16,030 lb (7 270 kg)*	12,830 lb (5 820 kg)	12,990 lb (5 890 kg)*	9,410 lb (4 270 kg)	25 ft 10 in (7.88 m)	8,800 lb (3 990 kg)*	8,800 lb (3 990 kg)*
-4 ft 11 in (-1.5 m)	26,720 lb (12 120 kg)*	26,720 lb (12 120 kg)*	22,840 lb (10 360 kg)*	19,380 lb (8 790 kg)	16,730 lb (7 590 kg)*	12,720 lb (5 770 kg)			24 ft 1 in (7.33 m)	10,270 lb (4 660 kg)*	9,720 lb (4 410 kg)
-9 ft 10 in (-3.0 m)			21,800 lb (9 890 kg)*	19,620 lb (8 900 kg)							

FRONT BLADE & REAR STABILIZERS UP - 2-piece boom 17 ft 9 in (5.4 m), arm 8 ft 10 in (2.70 m), 9,039 lb (4 100 kg) counterweight											
29 ft 6 in (9.0 m)									12 ft 8 in (3.87 m)	11,710 lb (5 310 kg)*	11,710 lb (5 310 kg)*
24 ft 7 in (7.5 m)									19 ft 3 in (5.87 m)	8,880 lb (4 030 kg)*	8,880 lb (4 030 kg)*
19 ft 8 in (6.0 m)			9,810 lb (4 450 kg)*	9,810 lb (4 450 kg)*	9,940 lb (4 510 kg)*	9,940 lb (4 510 kg)*			23 ft 0 in (7.02 m)	7,960 lb (3 610 kg)*	7,960 lb (3 610 kg)*
14 ft 9 in (4.5 m)	15,500 lb (7 030 kg)*	15,500 lb (7 030 kg)*	12,210 lb (5 540 kg)*	12,210 lb (5 540 kg)*	10,890 lb (4 940 kg)*	10,470 lb (4 750 kg)	10,630 lb (4 820 kg)	7,340 lb (3 330 kg)	25 ft 4 in (7.71 m)	6,990 lb (3 170 kg)	6,990 lb (3 170 kg)
9 ft 10 in (3.0 m)			15,980 lb (7 250 kg)*	15,060 lb (6 830 kg)	12,610 lb (5 720 kg)*	9,990 lb (4 530 kg)	10,450 lb (4 740 kg)	7,170 lb (3 250 kg)	26 ft 5 in (8.05 m)	7,670 lb (3 480 kg)*	6,390 lb (2 900 kg)
4 ft 11 in (1.5 m)			19,710 lb (8 940 kg)*	14,090 lb (6 390 kg)	14,180 lb (6 430 kg)	9,520 lb (4 320 kg)	10,210 lb (4 630 kg)	6,970 lb (3 160 kg)	26 ft 7 in (8.11 m)	8,020 lb (3 640 kg)*	6,220 lb (2 820 kg)
0 ft (0 m)	14,310 lb (6 490 kg)*	14,310 lb (6 490 kg)*	21,430 lb (9 720 kg)	13,580 lb (6 160 kg)	13,820 lb (6 270 kg)	9,190 lb (4 170 kg)	10,050 lb (4 560 kg)	6,810 lb (3 090 kg)	25 ft 10 in (7.88 m)	8,800 lb (3 990 kg)*	6,390 lb (2 900 kg)
-4 ft 11 in (-1.5 m)	26,720 lb (12 120 kg)*	25,040 lb (11 360 kg)	21,300 lb (9 660 kg)	13,470 lb (6 110 kg)	13,710 lb (6 220 kg)	9,110 lb (4 130 kg)			24 ft 1 in (7.33 m)	10,270 lb (4 660 kg)*	7,050 lb (3 200 kg)
-9 ft 10 in (-3.0 m)			21,540 lb (9 770 kg)	13,670 lb (6 200 kg)							

REAR BLADE & FRONT STABILIZERS DOWN - 2-piece boom 17 ft 9 in (5.4 m), arm 8 ft 10 in (2.70 m), 9,039 lb (4 100 kg) counterweight											
29 ft 6 in (9.0 m)									12 ft 8 in (3.87 m)	11,710 lb (5 310 kg)*	11,710 lb (5 310 kg)*
24 ft 7 in (7.5 m)									19 ft 3 in (5.87 m)	8,880 lb (4 030 kg)*	8,880 lb (4 030 kg)*
19 ft 8 in (6.0 m)			9,810 lb (4 450 kg)*	9,810 lb (4 450 kg)*	9,940 lb (4 510 kg)*	9,940 lb (4 510 kg)*			23 ft 0 in (7.02 m)	7,960 lb (3 610 kg)*	7,960 lb (3 610 kg)*
14 ft 9 in (4.5 m)	15,500 lb (7 030 kg)*	15,500 lb (7 030 kg)*	12,210 lb (5 540 kg)*	12,210 lb (5 540 kg)*	10,890 lb (4 940 kg)*	10,890 lb (4 940 kg)*	10,630 lb (4 820 kg)	9,500 lb (4 310 kg)	25 ft 4 in (7.71 m)	7,630 lb (3 460 kg)*	7,630 lb (3 460 kg)*
9 ft 10 in (3.0 m)			15,980 lb (7 250 kg)*	15,980 lb (7 250 kg)*	12,610 lb (5 720 kg)*	12,610 lb (5 720 kg)*	11,240 lb (5 100 kg)*	9,330 lb (4 230 kg)	26 ft 5 in (8.05 m)	7,670 lb (3 480 kg)*	7,670 lb (3 480 kg)*
4 ft 11 in (1.5 m)			19,710 lb (8 940 kg)*	19,030 lb (8 630 kg)	14,510 lb (6 580 kg)*	12,520 lb (5 680 kg)	12,190 lb (5 530 kg)*	9,110 lb (4 130 kg)	26 ft 7 in (8.11 m)	8,020 lb (3 640 kg)*	8,020 lb (3 640 kg)*
0 ft (0 m)	14,310 lb (6 490 kg)*	14,310 lb (6 490 kg)*	22,070 lb (10 010 kg)*	18,470 lb (8 380 kg)	16,030 lb (7 270 kg)*	12,190 lb (5 530 kg)	12,990 lb (5 890 kg)*	8,950 lb (4 060 kg)	25 ft 10 in (7.88 m)	8,800 lb (3 990 kg)*	8,380 lb (3 800 kg)
-4 ft 11 in (-1.5 m)	26,720 lb (12 120 kg)*	26,720 lb (12 120 kg)*	22,840 lb (10 360 kg)*	18,360 lb (8 330 kg)	16,730 lb (7 590 kg)*	12,080 lb (5 480 kg)			24 ft 1 in (7.33 m)	10,270 lb (4 660 kg)*	9,260 lb (4 200 kg)
-9 ft 10 in (-3.0 m)			21,800 lb (9 890 kg)*	18,580 lb (8 430 kg)							

REAR BLADE & FRONT STABILIZERS UP - 2-piece boom 17 ft 9 in (5.4 m), arm 8 ft 10 in (2.70 m), 9,039 lb (4 100 kg) counterweight											
29 ft 6 in (9.0 m)									12 ft 8 in (3.87 m)	11,710 lb (5 310 kg)*	11,710 lb (5 310 kg)*
24 ft 7 in (7.5 m)									19 ft 3 in (5.87 m)	8,880 lb (4 030 kg)*	8,880 lb (4 030 kg)*
19 ft 8 in (6.0 m)			9,810 lb (4 450 kg)*	9,810 lb (4 450 kg)*	9,940 lb (4 510 kg)*	9,940 lb (4 510 kg)*			23 ft 0 in (7.02 m)	7,960 lb (3 610 kg)*	7,960 lb (3 610 kg)*
14 ft 9 in (4.5 m)	15,500 lb (7 030 kg)*	15,500 lb (7 030 kg)*	12,210 lb (5 540 kg)*	12,210 lb (5 540 kg)*	10,890 lb (4 940 kg)*	10,320 lb (4 680 kg)	10,600 lb (4 810 kg)	7,230 lb (3 280 kg)	25 ft 4 in (7.71 m)	7,630 lb (3 460 kg)*	6,900 lb (3 130 kg)
9 ft 10 in (3.0 m)			15,980 lb (7 250 kg)*	14,860 lb (6 740 kg)	12,610 lb (5 720 kg)*	9,830 lb (4 460 kg)	10,410 lb (4 720 kg)	7,050 lb (3 200 kg)	26 ft 5 in (8.05 m)	7,670 lb (3 480 kg)*	6,310 lb (2 860 kg)
4 ft 11 in (1.5 m)			19,710 lb (8 940 kg)*	13,870 lb (6 290 kg)	14,130 lb (6 410 kg)	9,370 lb (4 250 kg)	10,190 lb (4 620 kg)	6,860 lb (3 110 kg)	26 ft 7 in (8.11 m)	8,020 lb (3 640 kg)*	6,110 lb (2 770 kg)
0 ft (0 m)	14,310 lb (6 490 kg)*	14,310 lb (6 490 kg)*	21,360 lb (9 690 kg)	13,360 lb (6 060 kg)	13,780 lb (6 250 kg)	9,060 lb (4 110 kg)	10,030 lb (4 550 kg)	6,700 lb (3 040 kg)	25 ft 10 in (7.88 m)	8,800 lb (3 990 kg)*	6,280 lb (2 850 kg)
-4 ft 11 in (-1.5 m)	26,720 lb (12 120 kg)*	24,670 lb (11 190 kg)	21,230 lb (9 630 kg)	13,250 lb (6 010 kg)	13,670 lb (6 200 kg)	8,950 lb (4 060 kg)			24 ft 1 in (7.33 m)	10,270 lb (4 660 kg)*	6,940 lb (3 150 kg)
-9 ft 10 in (-3.0 m)			21,470 lb (9 740 kg)	13,470 lb (6 110 kg)							

NOTE: *The above loads (kg) are compliant to the ISO standards and refer to the excavator equipped without bucket. The indicated loads are no more than 87% of hydraulic system lift capacity or 75% of static tipping load. Values marked with an asterisk (*) are limited by the hydraulic lifting capacity.

LIFTING CAPACITIES - 2-PIECE BOOM

Load/Lift Point Height									MAXIMUM REACH			
	9 ft 10 in (3.0 m)		14 ft 9 in (4.5 m)		19 ft 8 in (6.0 m)		24 ft 7 in (7.5 m)		REACH	CAPACITY		
	END	SIDE	END	SIDE	END	SIDE	END	SIDE	@	END	SIDE	
FRONT & REAR STABILIZERS DOWN - 2-piece boom 17 ft 9 in (5.4 m), arm 8 ft 10 in (2.70 m), 9,039 lb (4 100 kg) counterweight												
29 ft 6 in (9.0 m)										12 ft 8 in (3.87 m)	11,710 lb (5 310 kg)*	11,710 lb (5 310 kg)*
24 ft 7 in (7.5 m)										19 ft 3 in (5.87 m)	8,880 lb (4 030 kg)*	8,880 lb (4 030 kg)*
19 ft 8 in (6.0 m)			9,810 lb (4 450 kg)*	9,810 lb (4 450 kg)*	9,940 lb (4 510 kg)*	9,940 lb (4 510 kg)*				23 ft 0 in (7.02 m)	7,960 lb (3 610 kg)*	7,960 lb (3 610 kg)*
14 ft 9 in (4.5 m)	15,500 lb (7 030 kg)*	15,500 lb (7 030 kg)*	12,210 lb (5 540 kg)*	12,210 lb (5 540 kg)*	10,890 lb (4 940 kg)*	10,890 lb (4 940 kg)*	10,630 lb (4 820 kg)*	10,630 lb (4 820 kg)*		25 ft 4 in (7.71 m)	7,630 lb (3 460 kg)*	7,630 lb (3 460 kg)*
9 ft 10 in (3.0 m)			15,980 lb (7 250 kg)*	15,980 lb (7 250 kg)*	12,610 lb (5 720 kg)*	12,610 lb (5 720 kg)*	11,240 lb (5 100 kg)*	10,930 lb (4 960 kg)*		26 ft 5 in (8.05 m)	7,670 lb (3 480 kg)*	7,670 lb (3 480 kg)*
4 ft 11 in (1.5 m)			19,710 lb (8 940 kg)*	19,710 lb (8 940 kg)*	14,510 lb (6 580 kg)*	14,510 lb (6 580 kg)*	12,190 lb (5 530 kg)*	10,710 lb (4 860 kg)*		26 ft 7 in (8.11 m)	8,020 lb (3 640 kg)*	8,020 lb (3 640 kg)*
0 ft (0 m)	14,310 lb (6 490 kg)*	14,310 lb (6 490 kg)*	22,070 lb (10 010 kg)*	22,070 lb (10 010 kg)*	16,030 lb (7 270 kg)*	14,510 lb (6 580 kg)*	12,990 lb (5 890 kg)*	10,560 lb (4 790 kg)*		25 ft 10 in (7.88 m)	8,800 lb (3 990 kg)*	8,800 lb (3 990 kg)*
-4 ft 11 in (-1.5 m)	26,720 lb (12 120 kg)*	26,720 lb (12 120 kg)*	22,840 lb (10 360 kg)*	22,330 lb (10 130 kg)*	16,730 lb (7 590 kg)*	14,400 lb (6 530 kg)*				24 ft 1 in (7.33 m)	10,270 lb (4 660 kg)*	10,270 lb (4 660 kg)*
-9 ft 10 in (-3.0 m)			21,800 lb (9 890 kg)*	21,800 lb (9 890 kg)*								

FRONT & REAR STABILIZERS UP - 2-piece boom 17 ft 9 in (5.4 m), arm 9 ft 7 in (2.92 m), 9,039 lb (4 100 kg) counterweight

29 ft 6 in (9.0 m)										12 ft 8 in (3.87 m)	11,710 lb (5 310 kg)*	11,710 lb (5 310 kg)*
24 ft 7 in (7.5 m)										19 ft 3 in (5.87 m)	8,880 lb (4 030 kg)*	8,880 lb (4 030 kg)*
19 ft 8 in (6.0 m)			9,810 lb (4 450 kg)*	9,810 lb (4 450 kg)*	9,940 lb (4 510 kg)*	9,940 lb (4 510 kg)*				23 ft 0 in (7.02 m)	7,960 lb (3 610 kg)*	7,960 lb (3 610 kg)*
14 ft 9 in (4.5 m)	15,500 lb (7 030 kg)*	15,500 lb (7 030 kg)*	12,210 lb (5 540 kg)*	12,210 lb (5 540 kg)*	10,890 lb (4 940 kg)*	10,300 lb (4 670 kg)*	10,600 lb (4 820 kg)*	7,230 lb (3 280 kg)*		25 ft 4 in (7.71 m)	7,630 lb (3 460 kg)*	6,880 lb (3 120 kg)*
9 ft 10 in (3.0 m)			15,980 lb (7 250 kg)*	14,840 lb (6 730 kg)*	12,610 lb (5 720 kg)*	9,830 lb (4 460 kg)*	10,410 lb (4 720 kg)*	7,050 lb (3 200 kg)*		26 ft 5 in (8.05 m)	7,670 lb (3 480 kg)*	6,280 lb (2 850 kg)*
4 ft 11 in (1.5 m)			19,710 lb (8 940 kg)*	13,850 lb (6 280 kg)*	14,130 lb (6 410 kg)*	9,350 lb (4 240 kg)*	10,190 lb (4 620 kg)*	6,830 lb (3 100 kg)*		26 ft 7 in (8.11 m)	8,020 lb (3 640 kg)*	6,110 lb (2 770 kg)*
0 ft (0 m)	14,310 lb (6 490 kg)*	14,310 lb (6 490 kg)*	21,360 lb (9 690 kg)*	13,340 lb (6 050 kg)*	13,780 lb (6 250 kg)*	9,040 lb (4 100 kg)*	10,030 lb (4 550 kg)*	6,700 lb (3 040 kg)*		25 ft 10 in (7.88 m)	8,800 lb (3 990 kg)*	6,280 lb (2 850 kg)*
-4 ft 11 in (-1.5 m)	26,720 lb (12 120 kg)*	24,630 lb (11 170 kg)*	21,230 lb (9 630 kg)*	13,230 lb (6 000 kg)*	13,670 lb (6 200 kg)*	8,930 lb (4 050 kg)*				24 ft 1 in (7.33 m)	10,270 lb (4 660 kg)*	6,920 lb (3 140 kg)*
-9 ft 10 in (-3.0 m)			21,470 lb (9 740 kg)*	13,450 lb (6 100 kg)*								

FRONT BLADE & REAR STABILIZERS DOWN - 2-piece boom 17 ft 9 in (5.4 m), arm 9 ft 7 in (2.92 m), 9,039 lb (4 100 kg) counterweight

29 ft 6 in (9.0 m)										14 ft 2 in (4.31 m)	9,920 lb (4 500 kg)*	9,920 lb (4 500 kg)*
24 ft 7 in (7.5 m)					9,810 lb (4 450 kg)*	9,810 lb (4 450 kg)*				20 ft 3 in (6.17 m)	7,740 lb (3 510 kg)*	7,740 lb (3 510 kg)*
19 ft 8 in (6.0 m)					9,330 lb (4 230 kg)*	9,330 lb (4 230 kg)*				23 ft 10 in (7.27 m)	6,970 lb (3 160 kg)*	6,970 lb (3 160 kg)*
14 ft 9 in (4.5 m)			11,440 lb (5 190 kg)*	11,440 lb (5 190 kg)*	10,320 lb (4 680 kg)*	10,320 lb (4 680 kg)*	10,050 lb (4 560 kg)*	9,920 lb (4 500 kg)*		26 ft 0 in (7.93 m)	6,680 lb (3 030 kg)*	6,680 lb (3 030 kg)*
9 ft 10 in (3.0 m)			15,190 lb (6 890 kg)*	15,190 lb (6 890 kg)*	12,080 lb (5 480 kg)*	12,080 lb (5 480 kg)*	10,780 lb (4 890 kg)*	9,700 lb (4 400 kg)*		27 ft 2 in (8.27 m)	6,700 lb (3 040 kg)*	6,700 lb (3 040 kg)*
4 ft 11 in (1.5 m)			19,000 lb (8 620 kg)*	19,000 lb (8 620 kg)*	14,040 lb (6 370 kg)*	13,070 lb (5 930 kg)*	11,790 lb (5 350 kg)*	9,460 lb (4 290 kg)*		27 ft 4 in (8.33 m)	7,010 lb (3 180 kg)*	7,010 lb (3 180 kg)*
0 ft (0 m)	14,990 lb (6 800 kg)*	14,990 lb (6 800 kg)*	21,560 lb (9 780 kg)*	19,330 lb (8 770 kg)*	15,650 lb (7 100 kg)*	12,680 lb (5 750 kg)*	12,680 lb (5 750 kg)*	9,260 lb (4 200 kg)*		26 ft 7 in (8.10 m)	7,650 lb (3 470 kg)*	7,650 lb (3 470 kg)*
-4 ft 11 in (-1.5 m)	25,600 lb (11 610 kg)*	25,600 lb (11 610 kg)*	22,580 lb (10 240 kg)*	19,160 lb (8 690 kg)*	16,490 lb (7 480 kg)*	12,540 lb (5 690 kg)*	11,090 lb (5 030 kg)*	9,260 lb (4 200 kg)*		24 ft 10 in (7.57 m)	8,840 lb (4 010 kg)*	8,840 lb (4 010 kg)*
-9 ft 10 in (-3.0 m)			21,870 lb (9 920 kg)*	19,360 lb (8 780 kg)*	15,940 lb (7 230 kg)*	12,680 lb (5 750 kg)*						

FRONT BLADE & REAR STABILIZERS UP - 2-piece boom 17 ft 9 in (5.4 m), arm 9 ft 7 in (2.92 m), 9,039 lb (4 100 kg) counterweight

29 ft 6 in (9.0 m)										14 ft 2 in (4.31 m)	9,920 lb (4 500 kg)*	9,920 lb (4 500 kg)*
24 ft 7 in (7.5 m)					9,810 lb (4 450 kg)*	9,810 lb (4 450 kg)*				20 ft 3 in (6.17 m)	7,740 lb (3 510 kg)*	7,740 lb (3 510 kg)*
19 ft 8 in (6.0 m)					9,330 lb (4 230 kg)*	9,330 lb (4 230 kg)*				23 ft 10 in (7.27 m)	6,970 lb (3 160 kg)*	6,970 lb (3 160 kg)*
14 ft 9 in (4.5 m)			11,440 lb (5 190 kg)*	11,440 lb (5 190 kg)*	10,320 lb (4 680 kg)*	10,320 lb (4 680 kg)*	10,050 lb (4 560 kg)*	7,300 lb (3 310 kg)*		26 ft 0 in (7.93 m)	6,680 lb (3 030 kg)*	6,590 lb (2 990 kg)*
9 ft 10 in (3.0 m)			15,190 lb (6 890 kg)*	15,060 lb (6 830 kg)*	12,080 lb (5 480 kg)*	9,920 lb (4 500 kg)*	10,360 lb (4 700 kg)*	7,100 lb (3 220 kg)*		27 ft 2 in (8.27 m)	6,700 lb (3 040 kg)*	6,040 lb (2 740 kg)*
4 ft 11 in (1.5 m)			19,000 lb (8 620 kg)*	14,000 lb (6 350 kg)*	14,040 lb (6 370 kg)*	9,410 lb (4 270 kg)*	10,120 lb (4 590 kg)*	6,860 lb (3 110 kg)*		27 ft 4 in (8.33 m)	7,010 lb (3 180 kg)*	5,860 lb (2 660 kg)*
0 ft (0 m)	14,990 lb (6 800 kg)*	14,990 lb (6 800 kg)*	21,270 lb (9 650 kg)*	13,400 lb (6 080 kg)*	13,690 lb (6 210 kg)*	9,060 lb (4 110 kg)*	9,920 lb (4 500 kg)*	6,680 lb (3 030 kg)*		26 ft 7 in (8.10 m)	7,650 lb (3 470 kg)*	6,020 lb (2 730 kg)*
-4 ft 11 in (-1.5 m)	25,600 lb (11 610 kg)*	24,630 lb (11 170 kg)*	21,080 lb (9 580 kg)*	13,250 lb (6 010 kg)*	13,540 lb (6 140 kg)*	8,930 lb (4 050 kg)*	9,920 lb (4 500 kg)*	6,680 lb (3 030 kg)*		24 ft 10 in (7.57 m)	8,840 lb (4 010 kg)*	6,610 lb (3 000 kg)*
-9 ft 10 in (-3.0 m)			21,270 lb (9 650 kg)*	13,400 lb (6 080 kg)*	13,690 lb (6 210 kg)*	9,060 lb (4 110 kg)*						

NOTE: *The above loads (kg) are compliant to the ISO standards and refer to the excavator equipped without bucket. The indicated loads are no more than 87% of hydraulic system lift capacity or 75% of static tipping load. Values marked with an asterisk (*) are limited by the hydraulic lifting capacity.

LIFTING CAPACITIES - 2-PIECE BOOM

Load/Lift Point Height									MAXIMUM REACH			
	9 ft 10 in (3.0 m)		14 ft 9 in (4.5 m)		19 ft 8 in (6.0 m)		24 ft 7 in (7.5 m)		REACH	CAPACITY		
	END	SIDE	END	SIDE	END	SIDE	END	SIDE	@	END	SIDE	
REAR BLADE & FRONT STABILIZERS DOWN - 2-piece boom 17 ft 9 in (5.4 m), arm 9 ft 7 in (2.92 m), 9,039 lb (4 100 kg) counterweight												
24 ft 7 in (7.5 m)										14 ft 2 in (4.31 m)	9,920 lb (4 500 kg)*	9,920 lb (4 500 kg)*
19 ft 8 in (6.0 m)					9,810 lb (4 450 kg)*	9,810 lb (4 450 kg)*				20 ft 3 in (6.17 m)	7,740 lb (3 510 kg)*	7,740 lb (3 510 kg)*
14 ft 9 in (4.5 m)					9,330 lb (4 230 kg)*	9,330 lb (4 230 kg)*				23 ft 10 in (7.27 m)	6,970 lb (3 160 kg)*	6,970 lb (3 160 kg)*
9 ft 10 in (3.0 m)			11,440 lb (5 190 kg)*	11,440 lb (5 190 kg)*	10,320 lb (4 680 kg)*	10,320 lb (4 680 kg)*	10,050 lb (4 560 kg)*	9,460 lb (4 290 kg)		26 ft 0 in (7.93 m)	6,680 lb (3 030 kg)*	6,680 lb (3 030 kg)*
4 ft 11 in (1.5 m)			15,190 lb (6 890 kg)*	15,190 lb (6 890 kg)*	12,080 lb (5 480 kg)*	12,080 lb (5 480 kg)*	10,780 lb (4 890 kg)*	9,240 lb (4 190 kg)		27 ft 2 in (8.27 m)	6,700 lb (3 040 kg)*	6,700 lb (3 040 kg)*
0 ft (0 m)			19,000 lb (8 620 kg)*	18,960 lb (8 600 kg)	14,040 lb (6 370 kg)*	12,430 lb (5 640 kg)	11,790 lb (5 350 kg)*	8,990 lb (4 080 kg)		27 ft 4 in (8.33 m)	7,010 lb (3 180 kg)*	7,010 lb (3 180 kg)*
-4 ft 11 in (-1.5 m)	14,990 lb (6 800 kg)*	14,990 lb (6 800 kg)*	21,560 lb (9 780 kg)*	18,300 lb (8 300 kg)	15,650 lb (7 100 kg)*	12,060 lb (5 470 kg)	12,680 lb (5 750 kg)*	8,820 lb (4 000 kg)		26 ft 7 in (8.10 m)	7,650 lb (3 470 kg)*	7,650 lb (3 470 kg)*
-9 ft 10 in (-3.0 m)	25,600 lb (11 610 kg)*	25,600 lb (11 610 kg)*	22,580 lb (10 240 kg)*	18,120 lb (8 220 kg)	16,490 lb (7 480 kg)*	11,900 lb (5 400 kg)	11,090 lb (5 030 kg)*	8,820 lb (4 000 kg)		24 ft 10 in (7.57 m)	8,840 lb (4 010 kg)*	8,710 lb (3 950 kg)
-14 ft 9 in (-4.5 m)			21,870 lb (9 920 kg)*	18,320 lb (8 310 kg)	15,940 lb (7 230 kg)*	12,060 lb (5 470 kg)						

REAR BLADE & FRONT STABILIZERS UP - 2-piece boom 17 ft 9 in (5.4 m), arm 9 ft 7 in (2.92 m), 9,039 lb (4 100 kg) counterweight												
24 ft 7 in (7.5 m)										14 ft 2 in (4.31 m)	9,920 lb (4 500 kg)*	9,920 lb (4 500 kg)*
19 ft 8 in (6.0 m)					9,810 lb (4 450 kg)*	9,810 lb (4 450 kg)*				20 ft 3 in (6.17 m)	7,740 lb (3 510 kg)*	7,740 lb (3 510 kg)*
14 ft 9 in (4.5 m)					9,330 lb (4 230 kg)*	9,330 lb (4 230 kg)*				23 ft 10 in (7.27 m)	6,970 lb (3 160 kg)*	6,970 lb (3 160 kg)*
9 ft 10 in (3.0 m)			11,440 lb (5 190 kg)*	11,440 lb (5 190 kg)*	10,320 lb (4 680 kg)*	10,300 lb (4 670 kg)	10,050 lb (4 560 kg)*	7,190 lb (3 260 kg)		26 ft 0 in (7.93 m)	6,680 lb (3 030 kg)*	6,480 lb (2 940 kg)
4 ft 11 in (1.5 m)			15,190 lb (6 890 kg)*	14,860 lb (6 740 kg)	12,080 lb (5 480 kg)*	9,790 lb (4 440 kg)	10,340 lb (4 690 kg)	6,990 lb (3 170 kg)		27 ft 2 in (8.27 m)	6,700 lb (3 040 kg)*	5,950 lb (2 700 kg)
0 ft (0 m)			19,000 lb (8 620 kg)*	13,800 lb (6 260 kg)	14,040 lb (6 370 kg)*	9,280 lb (4 210 kg)	10,080 lb (4 570 kg)	6,750 lb (3 060 kg)		27 ft 4 in (8.33 m)	7,010 lb (3 180 kg)*	5,780 lb (2 620 kg)
-4 ft 11 in (-1.5 m)	14,990 lb (6 800 kg)*	14,990 lb (6 800 kg)*	21,210 lb (9 620 kg)	13,210 lb (5 990 kg)	13,650 lb (6 190 kg)	8,910 lb (4 040 kg)	9,900 lb (4 490 kg)	6,570 lb (2 980 kg)		26 ft 7 in (8.10 m)	7,650 lb (3 470 kg)*	5,930 lb (2 690 kg)
-9 ft 10 in (-3.0 m)	25,600 lb (11 610 kg)*	24,270 lb (11 010 kg)	21,010 lb (9 530 kg)	13,030 lb (5 910 kg)	13,490 lb (6 120 kg)	8,770 lb (3 980 kg)	9,900 lb (4 490 kg)	6,570 lb (2 980 kg)		24 ft 10 in (7.57 m)	8,840 lb (4 010 kg)*	6,500 lb (2 950 kg)
-14 ft 9 in (-4.5 m)			21,210 lb (9 620 kg)	13,210 lb (5 990 kg)	13,650 lb (6 190 kg)	8,910 lb (4 040 kg)						

FRONT & REAR STABILIZERS DOWN - 2-piece boom 17 ft 9 in (5.4 m), arm 9 ft 7 in (2.92 m), 9,039 lb (4 100 kg) counterweight												
24 ft 7 in (7.5 m)										14 ft 2 in (4.31 m)	9,920 lb (4 500 kg)*	9,920 lb (4 500 kg)*
19 ft 8 in (6.0 m)					9,810 lb (4 450 kg)*	9,810 lb (4 450 kg)*				20 ft 3 in (6.17 m)	7,740 lb (3 510 kg)*	7,740 lb (3 510 kg)*
14 ft 9 in (4.5 m)					9,330 lb (4 230 kg)*	9,330 lb (4 230 kg)*				23 ft 10 in (7.27 m)	6,970 lb (3 160 kg)*	6,970 lb (3 160 kg)*
9 ft 10 in (3.0 m)			11,440 lb (5 190 kg)*	11,440 lb (5 190 kg)*	10,320 lb (4 680 kg)*	10,320 lb (4 680 kg)*	10,050 lb (4 560 kg)*	10,050 lb (4 560 kg)*		26 ft 0 in (7.93 m)	6,680 lb (3 030 kg)*	6,680 lb (3 030 kg)*
4 ft 11 in (1.5 m)			15,190 lb (6 890 kg)*	15,190 lb (6 890 kg)*	12,080 lb (5 480 kg)*	12,080 lb (5 480 kg)*	10,780 lb (4 890 kg)*	10,780 lb (4 890 kg)*		27 ft 2 in (8.27 m)	6,700 lb (3 040 kg)*	6,700 lb (3 040 kg)*
0 ft (0 m)			19,000 lb (8 620 kg)*	19,000 lb (8 620 kg)*	14,040 lb (6 370 kg)*	14,040 lb (6 370 kg)*	11,790 lb (5 350 kg)*	10,600 lb (4 810 kg)		27 ft 4 in (8.33 m)	7,010 lb (3 180 kg)*	7,010 lb (3 180 kg)*
-4 ft 11 in (-1.5 m)	14,990 lb (6 800 kg)*	14,990 lb (6 800 kg)*	21,560 lb (9 780 kg)*	21,560 lb (9 780 kg)*	15,650 lb (7 100 kg)*	14,370 lb (6 520 kg)	12,680 lb (5 750 kg)*	10,430 lb (4 730 kg)		26 ft 7 in (8.10 m)	7,650 lb (3 470 kg)*	7,650 lb (3 470 kg)*
-9 ft 10 in (-3.0 m)	25,600 lb (11 610 kg)*	25,600 lb (11 610 kg)*	22,580 lb (10 240 kg)*	22,110 lb (10 030 kg)	16,490 lb (7 480 kg)*	14,220 lb (6 450 kg)	11,090 lb (5 030 kg)*	10,430 lb (4 730 kg)		24 ft 10 in (7.57 m)	8,840 lb (4 010 kg)*	8,840 lb (4 010 kg)*
-14 ft 9 in (-4.5 m)			21,870 lb (9 920 kg)*	21,870 lb (9 920 kg)*	15,940 lb (7 230 kg)*	14,370 lb (6 520 kg)						

FRONT & REAR STABILIZERS UP - 2-piece boom 17 ft 9 in (5.4 m), arm 9 ft 7 in (2.92 m), 9,039 lb (4 100 kg) counterweight												
24 ft 7 in (7.5 m)										14 ft 2 in (4.31 m)	9,920 lb (4 500 kg)*	9,920 lb (4 500 kg)*
19 ft 8 in (6.0 m)					9,810 lb (4 450 kg)*	9,810 lb (4 450 kg)*				20 ft 3 in (6.17 m)	7,740 lb (3 510 kg)*	7,740 lb (3 510 kg)*
14 ft 9 in (4.5 m)					9,330 lb (4 230 kg)*	9,330 lb (4 230 kg)*				23 ft 10 in (7.27 m)	6,970 lb (3 160 kg)*	6,970 lb (3 160 kg)*
9 ft 10 in (3.0 m)			11,440 lb (5 190 kg)*	11,440 lb (5 190 kg)*	10,320 lb (4 680 kg)*	10,270 lb (4 660 kg)	10,050 lb (4 560 kg)*	7,170 lb (3 250 kg)		26 ft 0 in (7.93 m)	6,680 lb (3 030 kg)*	6,480 lb (2 940 kg)
4 ft 11 in (1.5 m)			15,190 lb (6 890 kg)*	14,840 lb (6 730 kg)	12,080 lb (5 480 kg)*	9,770 lb (4 430 kg)	10,340 lb (4 690 kg)	6,970 lb (3 160 kg)		27 ft 2 in (8.27 m)	6,700 lb (3 040 kg)*	5,930 lb (2 690 kg)
0 ft (0 m)			19,000 lb (8 620 kg)*	13,780 lb (6 250 kg)	14,040 lb (6 370 kg)*	9,260 lb (4 200 kg)	10,080 lb (4 570 kg)	6,720 lb (3 050 kg)		27 ft 4 in (8.33 m)	7,010 lb (3 180 kg)*	5,750 lb (2 610 kg)
-4 ft 11 in (-1.5 m)	14,990 lb (6 800 kg)*	14,990 lb (6 800 kg)*	21,210 lb (9 620 kg)	13,180 lb (5 980 kg)	13,650 lb (6 190 kg)	8,910 lb (4 040 kg)	9,900 lb (4 490 kg)	6,570 lb (2 980 kg)		26 ft 7 in (8.10 m)	7,650 lb (3 470 kg)*	5,910 lb (2 680 kg)
-9 ft 10 in (-3.0 m)	25,600 lb (11 610 kg)*	24,230 lb (10 990 kg)	21,010 lb (9 530 kg)	13,010 lb (5 900 kg)	13,490 lb (6 120 kg)	8,770 lb (3 980 kg)	9,900 lb (4 490 kg)	6,570 lb (2 980 kg)		24 ft 10 in (7.57 m)	8,840 lb (4 010 kg)*	6,480 lb (2 940 kg)
-14 ft 9 in (-4.5 m)			21,210 lb (9 620 kg)	13,180 lb (5 980 kg)	13,650 lb (6 190 kg)	8,910 lb (4 040 kg)						

NOTE: *The above loads (kg) are compliant to the ISO standards and refer to the excavator equipped without bucket. The indicated loads are no more than 87% of hydraulic system lift capacity or 75% of static tipping load. Values marked with an asterisk (*) are limited by the hydraulic lifting capacity.

STANDARD EQUIPMENT

ENGINE

Cummins B6.7, 173 HP (129 kW), charge air-cooled, 6-cylinder in line, 6.7-liter, high pressure common rail system (electronic control), variable geometry turbocharger with air cooled intercooler, DOC+DPF+SCR aftertreatment, EGR free engine

Rated flywheel horsepower:

ISO 9249	170 hp (127 kW) @ 2200 RPM
ISO 14396	173 hp (129 kW) @ 2200 RPM

Maximum torque:

ISO 14396	650 ft-lb (881 Nm) @ 1300 RPM
-----------	-------------------------------

Tier 4 Final / Stage V certified

Ultra-low sulfur diesel and B7 biodiesel fuel certified

ECO gauge fuel efficiency indicator

Detailed historical fuel, work modes and throttle position utilization report

Variable power control on jog dial

Automatic, postponable after-treatment filter cleaning

Programmable electronically-controlled reversible fan

Programmable engine Auto Idle and Auto Shutdown functions

Automatic or manually controlled 9.2 gpm (35 L/min) electric refuel pump

DEF tank overload warning

Air intake cup-type pre-cleaner

Dual dry-type element air filter with warning restriction indicator

Air grid heater starting aid

Replaceable, full flow spin-on fuel and engine oil cartridges

Fuel pre-filter with water drain

Stacked cooling pack configuration

Protective screen for radiators

HYDRAULIC SYSTEM

Load sensing hydraulic system (LUDV) with advanced flow sharing hydraulics

3 - selectable work modes: Heavy Duty, Standard and Economy

1 - selectable user customized work mode - engine speed, idle speed, machine speed and pump flow

High flow multi-function with pressure setting circuit for one-way and two-way flow attachments

In monitor hydraulic settings storage and management for 10 one-way and 10 two-way attachments

3 - attachment work modes - push/detent/proportional

Quick coupler hydraulic circuit

Safety valves on boom with overload warning

Safety valves on arm, dozer blade, front axle oscillation cylinders

Power boost mode activated on joystick

Accumulator on boom cylinders for cushioning ride control system

Boom float control

High pressure hoses

Main pump Variable displacement piston pump

Max. oil flow 2 x 74.0 gpm (280 l/min) @ 1600 RPM

Working circuit pressures

Boom/Arm/Bucket	4,975 psi (34.3 MPa) / 5,410 psi (37.3 MPa) with auto power boost
Swing circuit	3,771 psi (26 MPa)
Travel circuit	5,410 psi (37.3 MPa)
Pilot circuit	566 psi (3.9 MPa)

SWING

Fixed displacement radial piston swing motor

Automatic, spring applied hydraulic release (SAHR) swing brake system

Fine swing for precise and smooth upper carriage rotation

Swing lock to prevent undesirable upper carriage rotation

Maximum swing speed	10.9 RPM
Swing torque	28,839 ft-lb (39 100 Nm)

ELECTRICAL SYSTEM

Battery disconnect switch	
Emergency engine stop switch	
Voltage	24 V
Alternator	95 amp
Starter	24 V - 4.8 kW
Batteries	2 X 12 V - 100 Ah

UNDERCARRIAGE

Removable parallel mounting bolt-on designed front and rear stabilizers

Cab access steps

Lashing points (tie downs)

UPPER CARRIAGE

Standard counterweight

Front and right-hand side handrails

Lockable cab door, fuel and DEF tanks, service doors and tool box

Rear work lamp

Head lights and indicator lights

LED working lights package

ATTACHMENTS

2-piece boom	
Digging arm	9 ft 7 in (2.92 m)
Digging arm reinforcements	
Reinforced pins, bushings and polymer shims	

DRIVELINE

2-speed hydrostatic powershift transmission

Permanent 4-wheel drive and front axle steering

Variable displacement bent-axis axial piston travel motor

Orbital steering system

Emergency steering system

Minimum turning radius 21 ft 11 in (6.69 m)

Automatic or manually controlled front axle oscillation lock

Fixed rear axle

4-sets of twin pneumatic tires

Wet multi-disc work/travel brakes

Wet multi-disc integrated in transmission park brake

Travel alarm

All around composite fenders - steerable on the front axle

High travel speed (Automatic travel speed shifting) 24 mph (38.4 km/h)

Low travel speed 5.9 mph (9.5 km/h)

Creep speed 1.9 mph (3 km/h)

Drawbar pull 26,527 lbf (118 kN)

Gradeability 70% (35°)

OPERATOR'S STATION

Enclosed pressurized cab with air conditioning, heat and defrost with full climate control and lockable door

ROPS/FOPS certified

Standard same ignition key and all-around anti-vandalism key

One piece sliding fold-in front window and sliding left-hand side window

Safety glass for all windows, including laminated glass for front window for added protection

Sliding side window (left-hand)

High-back premium heated air-suspension and tilting seat

Sliding fore/after, weight, height, pan angle, depth, lumbar and backrest seat adjustments

Seatbelt and seatbelt warning system

Adjustable armrests and headrest

Gate lock hydraulic activation

Low-effort joystick controls

Joystick equipped proportional control, FNR transmission switch, detent activation and front axle oscillation lock

Selectable steering wheel or right-hand joystick steering

Slim 3-way adjustable steering column design

8 inch touchscreen monitor with instruments cluster

Instrument cluster navigation, air conditioning control and engine throttle powered by right-hand console jog dial module

Instrument cluster gauges: engine RPM, engine coolant temperature, hydraulic oil temperature, fuel level, DEF level, ECO, accelerometer dial, hourmeter

CASE MaxView 360-degree 4-camera with intelligent moving object detection technology and warning system for up to 16 ft 4 in (5 m) around the machine

Radar object detection and warning system for up to 32 ft 9 in (10 m) on the rear of the machine

Audio system including radio player, USB MP3 player, aux-in port for personal electronics and Bluetooth capability for hands-free calling

12-volt electric outlet

Adjustable speed cruise control mode

Emergency FNR switch

4-wheel auto-brake mode for attachment operation

Ride control system for smooth traveling and reduced attachment spillage

Clear roof view with sunshade

Rain deflector

Interior dome light

Emergency exit and hammer

2-piece rubber floor mat

Exterior mirrors

Cup holder

Storage compartments

Warm/cool storage compartment

Electric horn

Parallel windshield wiper and windshield washer

Cab filters (internal and external)

Cab suspension mounts to minimize noise and vibration

Operator's manual

NOISE

External sound level	LwA 100 dB(A)
Operator cab sound pressure level	LpA 71 dB(A)

CIRCUIT AND COMPONENT CAPACITIES

Fuel tank	82 gal (310 L)
Hydraulic system	89.8 gal (340 L)
Hydraulic tank	43.6 gal (165 L)
DEF tank	12.7 gal (48 L)

MAINTENANCE

Full Machine Protection Factory Warranty (3-yr/3000-hr), Planned Maintenance (3-yr/2000-hr)

Single-point engine daily checks under engine hood

Self-diagnostics system

Service interval:

- 250-h greasing on boom and arm pins and bushings
- 800-h engine oil and filter
- 1,000-h fuel filter and pre-filter
- 2,000-h air filters
- 5,000-h hydraulic oil

OPTIONAL EQUIPMENT

HYDRAULICS

Secondary low 2-way flow electronic proportional controlled auxiliary hydraulics
Fine Swing control
Cold climate hydraulic oil

OPERATOR ENVIRONMENT

Rear view camera only
Rear, right-side and arm cameras
Smart key with push to start button

FRONT END EQUIPMENT

Digging arm 7 ft 10 in (2.4 m)
Monoboam (ride control not available)

UPPER STRUCTURE

FOPS top cab guard
Wire mesh screen front guard
OPG Level 2 front guard

UNDERCARRIAGE

Rear blade and front stabilizers
F/R blade
Solid tires

CaseCE.com

©2023 CNH Industrial America LLC. All rights reserved. CASE is a trademark registered in the United States and many other countries, owned by or licensed to CNH Industrial N.V., its subsidiaries or affiliates. CNH Industrial Capital is a trademark in the United States and many other countries, owned by or licensed to CNH Industrial N.V., its subsidiaries or affiliates. Printed in U.S.A. Contains 10% post-consumer fiber.

IMPORTANT: CASE Construction Equipment Inc. reserves the right to change these specifications without notice and without incurring any obligation relating to such change. Availability of some models and equipment builds vary according to the country in which the equipment is used. The illustrations and text may include optional equipment and accessories and may not include all standard equipment. Your CASE dealer/distributor will be able to give you details of the products and their specifications available in your area.



CASE Construction Equipment is biodiesel-friendly. NOTE: All engines meet current EPA emissions regulations. All specifications are stated in accordance with SAE Standards or Recommended Practices, where applicable.



Always read the Operator's Manual before operating any equipment. Inspect equipment before using it, and be sure it is operating properly. Follow the product safety signs and use any safety features provided.

Form No. CCE202306WX210E

WX210E

13 of 13