



ENGINE

Model	FPT F5H FL463 A*F001
Emissions Certification	Tier 4 Final
Type	Diesel 4-stroke, Turbo, D.I.
Cylinders	4
Bore/Stroke	3.9 x 4.3 in (99 x 110 mm)
Displacement	207 in ³ (3.4 L)
Fuel injection	Direct, high pressure common rail – HPCR
Fuel	#2 Diesel
Fuel filter:	
Pre-filter	Beta (30) = 200/spin-on
Main filter	Beta (4) = 20/spin-on
Air intake	Turbocharged w/ waste gate and external cooled EGR
Exhaust aftertreatment	Diesel Oxidation Catalyst – DOC
Cooling	Liquid
Engine speeds	RPM
High idle – no load	2500 +/- 25
Rated – full load	2500
Low idle	1150 +/- 25
Horsepower @ 2500 RPM – SAE J1349:	
Gross	74 hp (55 kW)
Net	68 hp (51 kW)
Peak torque @ 1400 RPM	232 lb-ft (314 N·m)
Radiator:	
Core type	All aluminum
Core size area	2.77 ft ² (0.257 m ²)
Rows of tubes x columns	43 x 3
Cap pressure	16 +/- 2 psi (1.10 +/- 0.14 bar)
Fan:	
Diameter	20.4 in (518 mm)
Ratio	0.96:1 standard, 1.1:1 high-flow
Water pump:	
Style	Centrifugal
Flow	29 gpm (110 L/min)
Engine lubrication pump	Rotor pump w/ deep sump pan, plate cooler and pressurized under-piston nozzles
Pump operating angle ratings:	
Side to side	45°
Bucket up	35°
Bucket Down	45°

LIFT GEOMETRY

Radial Lift

DRIVETRAIN

Drive pump controls	Direct mechanical
Pump to engine ratio	1:1
Displacement	2.81 in ³ (46 cm ³)
Flow @ rated engine RPM:	
@ 97% efficiency	29.4 gpm (111 L/min)
Charge pressure	360 psi (24.5 bar)
System relief pressure	5,220 psi (360 bar)

Drive pump controls	Electro-hydraulic
Pump to engine ratio	1:1
Displacement	2.75 in ³ (45 cm ³)
Flow @ rated engine RPM:	
@ 97% efficiency	28.8 gpm (109 L/min)
Charge pressure	362 psi (24.5 bar)
System relief pressure	5,220 psi (360 bar)

Drive motors:	
Max. displacement	28.7 in ³ (470 cm ³)
Displacement – optional:	
High speed	17.2 in ³ (282 cm ³)
Motor RPM @ high idle and 97% efficiency:	
Standard 1-speed	241
Optional 2-speed	355
Motor torque @ max. displacement and relief pressure, calculated @ 5,220 psi (360 bar):	1,987 lb-ft (2 694 N·m)

Travel speed:	
Low range	7.1 mph (11.4 kph)
High range – optional	10.5 mph (16.9 kph)

Final drive Single-reduction chain drive

Drive chain:	
Size	ASA #100
Tensile strength	30,000 lb (133.4 kN)

Axles:	
Torque @ max. displacement and relief pressure	5,957 lb-ft (8 077 N·m)
Diameter	2.44 in (61.9 mm)
Length	15.7 in (399.0 mm)

Parking brake:	
Type	Spring-applied, hydraulic release multiple disc.
Engagement	Depress on/off brake button on handle or instrument panel, raise seat bar, get off seat or stop engine.

ELECTRICAL

Alternator	120 amp
Starter	4.29 hp (3.2 kW)
Battery	12-volt low-maintenance 1,000 cold-cranking amps @ 0° F (-18° C°)

OPERATOR ENVIRONMENT

ROPS/FOPS Level 1 canopy w/ side screens;
Keyed start ignition; Tilt ROPS/FOPS; Rear
window w/ emergency escape; Suspension Seat,
vinyl w/ 2 in (51 mm) retractable 3 point lap seat
belt; Hand and foot throttle; Alarm package –

back-up and horn; Rearview mirror; Headliner;
Dome Light; Top window; Cup holder; 12V Power
plug socket; Foot rest; Seat pocket; Padded seat
bar w/ integral armrests; Loader control lockout
system; Electric parking brake control; Operator's
compartment floor cleanout; Proportional
auxiliary hydraulic control – on joystick; Advanced
Instrument Cluster w/ digital hour meter,
tachometer, fuel level LCD bar graph w/ alarm,
diagnostic features and security lockout.

Warning lights with alarms:
Engine coolant temperature; Engine oil pressure;
Engine malfunction; Hydraulic charge pressure;
Hydraulic filter restriction; Hydraulic oil
temperature; Critical system stop, Engine
system, Hydraulic system, Electrical and
diagnostic system.

Warning alarms:
Battery voltage – plus display; Oil service.

Indicator light:
Engine preheat; Parking brake;
Seat bar reminder.

OPERATING WEIGHT

Unit equipped w/ open cab; 165 lb operator; 72 in Dirt & Foundry bucket; full of fuel; 12 x 16.5 tires:	6,970 lb (3 160 kg)
Shipping weight	6,670 lb (3 025 kg)

Add-on weights:	
Side cab glass	47 lb (21.3 kg)
Polycarbonate cab door	74 lb (33.6 kg)
Glass cab door w/ wiper	134 lb (60.8 kg)
Suspension seat	22 lb (10.0 kg)
Additional counterweight	140 lb (63.8 kg)

HYDRAULICS

Implement pump type	Gear
Displacement:	
Standard aux.	2.23 in ³ (36.6 cm ³)
High-flow aux.	0.84 in ³ (13.8 cm ³)

Standard flow @ rated engine RPM: @ 100% efficiency	24.2 gpm (91.5 L/min)
Optional high-flow @ rated engine RPM: @ 100% efficiency	33.2 gpm (125.7 L/min)

Loader control valve:	
Type	3 spool/open center/series - series
Relief pressure	3,050 psi (210 bar)

Port relief pressures:	
Loader raise	3,263 psi (225 bar)
Bucket curl	3,770 psi (260 bar)
Bucket dump	1,160 psi (80 bar)

Hydraulic lines:	
Tubing	37° JIC Flare
Loop hoses	SAE 100 R19

Hydraulic oil cooler:	
Number of fins	10 per inch (3.94 per cm)
Number of tube rows x columns	9 x 1
Area	137.5 in ² (890 cm ²)

Hydraulic filter	Beta (4) = 75/spin-on
------------------	-----------------------

HYDRAULICS CONT.

Lift cylinders:	
Bore diameter	2.50 in (63.5 mm)
Rod diameter	1.75 in (44.5 mm)
Stroke	31.69 in (804.9 mm)
Closed length	45.59 in (1 158.0 mm)
Bucket cylinders:	
Bore diameter	2.75 in (69.9 mm)
Rod diameter	1.38 in (34.9 mm)
Stroke	16.14 in (410.0 mm)
Closed length	24.02 in (610.0 mm)

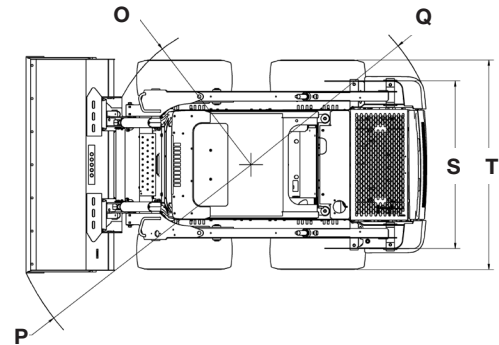
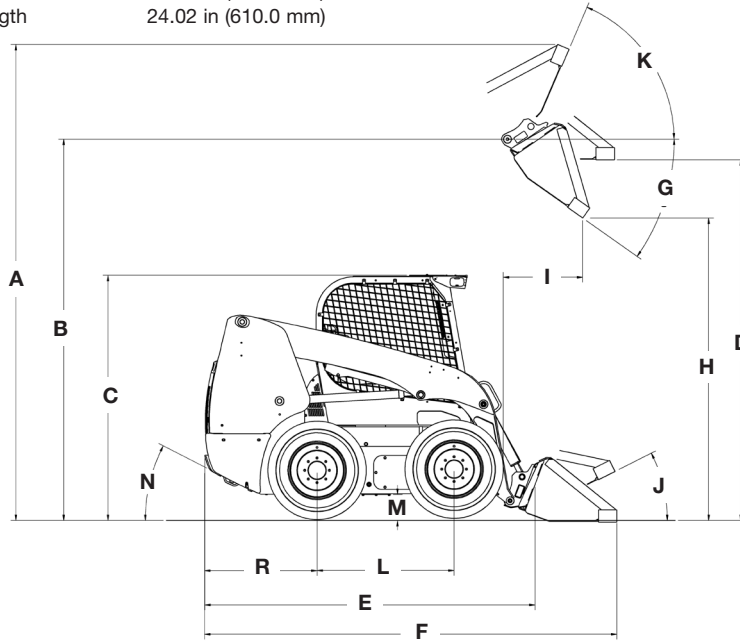
SERVICE CAPACITIES

Fuel tank	19.5 gal (73.8 L)
Engine oil w/ filter	10.0 qt (9.4 L)
Hydraulic system:	
Reservoir	7.0 gal (26.5 L)
Total	8.5 gal (32.2 L)
Chain tanks – per side	6.9 gal (26.0 L)

PERFORMANCE SPECS

Rated operating capacity – ROC*:	
50% of tipping load	2,100 lb (955 kg)
w/ additional counterweight	2,200 lb (998 kg)
Tipping load*	4,200 lb (1 905 kg)
Breakout forces @ 3,150 psi (217 bar)*:	
Bucket cylinders	7,270 lb (32.3 kN)
Lift cylinders – tip limit	4,570 lb (20.3 kN)
Cycle times:	
Raise	3.6 sec
Lower	1.8 sec
Dump	2.2 sec
Roll back	1.7 sec

NOTE: *Measured using 72 in (1.83 m) foundry/ excavating bucket.



Line drawings are for illustrative purpose only and may not be exact representation of unit.

DIMENSIONS

A. Overall operating height:		
with foundry/excavating bucket		154.3 in (3.92 m)
with low profile bucket		158.3 in (4.05 m)
with low profile extended bucket		163.2 in (4.15 m)
Height to:		
B. Bucket hinge pin		123.0 in (3.12 m)
C. Top of ROPS		78.7 in (2.00 m)
D. Bottom of level bucket, fully raised		116.1 in (2.95 m)
Overall length:		
E. without attachment with coupler		105.1 in (2.67 m)
F. with foundry/excavating bucket on ground		129.6 in (3.29 m)
with low profile bucket		133.7 in (3.40 m)
with low profile extended bucket		138.8 in (3.53 m)
G. Maximum dump angle		39.6°
H. Dump height:		
with foundry/excavating bucket		98.2 in (2.50 m) @ 39.6°
with low profile bucket		95.6 in (2.43 m) @ 39.6°
I. Dump reach at maximum height with low profile bucket		23.4 in (0.60 m) @ 39.6°
Maximum attachment rollback:		
J. Bucket on ground		31.0°
K. Bucket at full height		98.6°
L. Wheelbase		44.4 in (1.13 m)
M. Ground clearance – bottom of belly pan		8.0 in (0.20 m)
N. Angle of departure		25.0°
Clearance circle:		
O. without bucket		50.7 in (1.29 m)
P. with 72 in (1.83 m) foundry/excavating bucket in carry position		79.9 in (2.03 m)
with 72 in (1.83 m) low profile bucket on ground		83.1 in (2.11 m)
with 72 in (1.83 m) extended low profile on ground		87.7 in (2.23 m)
Q. Clearance circle rear		62.9 in (1.60 m)
R. Rear axle to bumper		36.4 in (0.92 m)
S. Tread over gauge with spec lines		56.9 in (1.45 m)
T. Over the tire width spec tires		70.0 in (1.78 m)

OPTIONAL BUCKETS

Type	Width	Weight	Heaped Capacity
Dirt & Foundry	66 in (1.68 m)	385 lb (175 kg)	14.8 ft ³ (0.42 m ³)
	72 in (1.83 m)	420 lb (190 kg)	16.2 ft ³ (0.46 m ³)
	78 in (1.98 m)	440 lb (200 kg)	17.7 ft ³ (0.50 m ³)
Low Profile	66 in (1.68 m)	440 lb (200 kg)	13.4 ft ³ (0.38 m ³)
	72 in (1.83 m)	480 lb (218 kg)	14.8 ft ³ (0.42 m ³)
Low Profile Extended	66 in (1.68 m)	470 lb (214 kg)	15.9 ft ³ (0.45 m ³)
	72 in (1.83 m)	510 lb (232 kg)	17.7 ft ³ (0.50 m ³)
	78 in (1.98 m)	540 lb (245 kg)	19.1 ft ³ (0.54 m ³)
	84 in (2.13 m)	575 lb (262 kg)	20.5 ft ³ (0.58 m ³)
Light Material	72 in (1.83 m)	475 lb (216 kg)	23.3 ft ³ (0.66 m ³)
	84 in (2.13 m)	540 lb (245 kg)	27.5 ft ³ (0.78 m ³)
Manure & Slurry	72 in (1.83 m)	480 lb (218 kg)	19.1 ft ³ (0.54 m ³)
	84 in (2.13 m)	545 lb (248 kg)	22.6 ft ³ (0.64 m ³)
Heavy-Duty	66 in (1.68 m)	450 lb (205 kg)	13.1 ft ³ (0.37 m ³)
	72 in (1.83 m)	510 lb (230 kg)	14.1 ft ³ (0.40 m ³)
	78 in (1.98 m)	530 lb (240 kg)	15.5 ft ³ (0.44 m ³)
	84 in (2.13 m)	550 lb (250 kg)	17.0 ft ³ (0.48 m ³)

STANDARD EQUIPMENT

OPERATOR ENVIRONMENT

See page 1

ENGINE

FPT F5H FL463 A*F001
207 CID (3.4 L) Turbo
Tier 4 Final Certified
High Pressure Common Rail (HPCR)
fuel injection
Horsepower:
Gross: 74 hp (55 kW)
Net: 68 hp (51 kW)
Peak torque: 232 lb-ft (314 N·m)
120 amp alternator
Dual element air cleaner
Organic Acid Technology (OAT)
Anti-freeze solution to -34° F
Fuel tank – 19.5 gal (U.S.)
Over and under radiator and oil cooler
3-stack after cooler/radiator/oil
cooler configuration
Glow plugs

Integral engine oil cooler
Fuel filter with water trap
1,000 CCA 12V battery
Master electrical disconnect

DRIVETRAIN

2-speed hydrostatic four wheel drive
ASA #100HS drive chain
SAHR disc parking brake

HYDRAULICS

Auxiliary hydraulics:
@ 3,050 psi (210 bar) – 24.2 gpm
(91.5 L/min)
6 micron oil filtration system
3-spool loader control valve
Auxiliary hydraulic disconnects, ISO
flat-face – connect-under-pressure
with case drain
Hydraulic circuit pedal lock
Auxiliary function lockout override
Loader lift lockout override
Heavy-duty hydraulic oil cooler
Loader arm float position
Loader function lockout system

LOADER

Auxiliary front electric control
Manual attachment coupler
Radial lift geometry
Loader lift arm support strut

TIRES

12 X 16.5 Heavy duty

OTHER STANDARD FEATURES

Halogen lights – 2 front, 2 side, 2 rear flood
Heavy duty front lights
Pre-wired for rotating beacon
Lockable service access hood
Single-point daily servicing
Rear tail lights
Remote oil drain
Remote oil and fuel filters
Block heater
Debris ingress sealing
Mounting points for add-on counterweights
Heavy duty rear door

OPTIONAL EQUIPMENT

OPERATOR ENVIRONMENT

Enclosed cab:
Fully sealed and pressurized – FSP
Glass door with wiper and washer
Sliding side windows – removable
Heater and air conditioner
AM/FM radio with 2 speakers
Keyless start ignition
Electro-hydraulic controls:
For drive/steering, loader functions
Switchable between H and ISO patterns
Adjustable sensitivity of controls
Mechanical hand controls
Hand and foot controls:
Hand controls the loader drive function
and foot controls the bucket and boom
Deluxe cloth, air suspension seat, with heater
and lumbar support
Demolition cab door with polycarbonate
FOPS level 2

HYDRAULICS

High-flow auxiliary hydraulics – combined:
@ 3,050 psi (210 bar) – 33.2 gpm
(125.7 L/min)
Second auxiliary hydraulics
Hydraulic one-way self-leveling
Ride control

LOADER

Hydraulic attachment coupler

DRIVETRAIN

1-speed hydrostatic four wheel drive

OTHER

Language decals
Buckets – see page 3
Bolt-on bucket cutting edges
Special paint
Offsite service arrangement
Telematics

FACTORY SUPPLIED ATTACHMENTS

Add-on counterweights
Road lights
Rotating beacon
Four-corner LED strobe
Bolt-on heavy-duty bucket teeth

SERVICE PARTS

3 inch (76.2 mm) retractable seat belt

CaseCE.com

©2019 CNH Industrial America LLC. All rights reserved. CASE is a trademark registered in the United States and many other countries, owned by or licensed to CNH Industrial N.V., its subsidiaries or affiliates. CNH Industrial Capital is a trademark in the United States and many other countries, owned by or licensed to CNH Industrial N.V., its subsidiaries or affiliates. Printed in U.S.A. Contains 10% post-consumer fiber.

IMPORTANT: CASE Construction Equipment Inc. reserves the right to change these specifications without notice and without incurring any obligation relating to such change. Availability of some models and equipment builds vary according to the country in which the equipment is used. The illustrations and text may include optional equipment and accessories and may not include all standard equipment. Your CASE dealer/distributor will be able to give you details of the products and their specifications available in your area.



CASE Construction Equipment is biodiesel-friendly. NOTE: All engines meet current EPA emissions regulations. All specifications are stated in accordance with SAE Standards or Recommended Practices, where applicable.



Always read the Operator's Manual before operating any equipment. Inspect equipment before using it, and be sure it is operating properly. Follow the product safety signs and use any safety features provided.

Form No. CCE201907SR210
Replaces Form No. CCE201811SR210