



# case

## 580D Construction King®



### **55 (41 kW) NET FLYWHEEL HORSEPOWER**

Case-built four cylinder 207 in<sup>3</sup> (3392 cm<sup>3</sup>) high torque diesel.

### **FIELD PROVEN SYNCHRONIZED TRANSMISSION**

Four speed with power shuttle and torque converter.

### **CHOICE OF BACKHOES**

14' (4.27 m) backhoe or 14'-18' (4.27 m-5.49 m) telescoping Extendahoe®. Over-center backhoe transport position for loading and roading stability.

### **5155 LB (2338 kg) LIFT CAPACITY SELF-LEVELING LOADER**

Single lever controls bucket rollback, lift, dump, lower, float and return to dig.

### **"PRIORITY" DEMAND PERFORMANCE— TANDEM GEAR PUMP HYDRAULICS**

Provides flow to the loader, backhoe and steering valve. Gives optimum speed or power upon demand.

### **UNITIZED MAIN FRAME**

Absorbs heavy shock loads, maintains power train alignment, simplifies servicing.

### **COMPONENTIZED POWER TRAIN**

Permits servicing of individual components without disturbance of the rest of the drive line.

### **OPERATOR CONVENIENCE**

Roomy work platform, isolated with rubber mounts to reduce noise and vibration. Sloping hood and grille and 4-way adjustable seat improves visibility and operator efficiency.

Unit shown is equipped with non-standard items.

## **JI Case**

A Tenneco Company



700 State Street Racine, WI 53404 U.S.A.

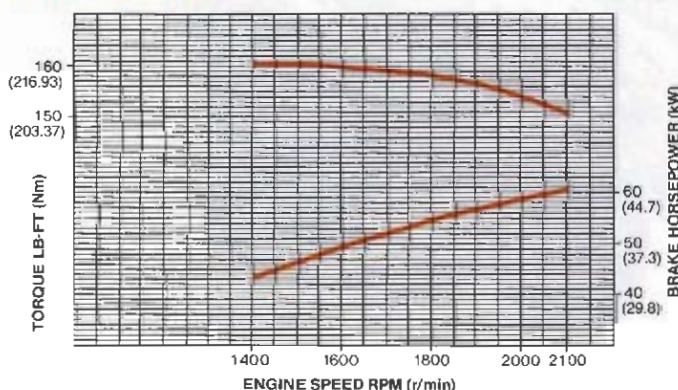
# Specifications 580D Tractor Construction King®

## ENGINE

Make and model	Case G207D diesel
Type of fuel	No. 2 diesel
No. of cylinders	4
Bore and stroke	4" x 4.125" (102 mm x 105 mm)
Displacement	207 in <sup>3</sup> (3392 cm <sup>3</sup> )
Compression ratio	17:1
Fuel induction	Injectors
Fuel supply	Injection pump
Air cleaner	Dry type—replacement element
Oil filter	Replaceable spin-on cartridge, full flow
Lubrication	Positive pressure
Cooling system	Pressurized—7 psi (48 kPa)
Horsepower	
Gross (1)	60 @ 2100 rpm (44.7 kW @ 2100 r/min)
SAE Net (2)	55 @ 2100 rpm (41 kW @ 2100 r/min)
Max. torque ft-lb	
Gross (1)	160 @ 1400 rpm (217 Nm @ 1400 r/min)
SAE Net (2)	155 @ 1400 rpm (210 Nm @ 1400 r/min)

(1) Gross engine horsepower or torque at flywheel per SAE J270 specification.  
(2) Net engine horsepower or torque at flywheel per SAE J270 specification.

## POWER CURVE



## ELECTRICAL

System voltage	12 volts, negative ground
Battery	Maintenance free, 625 cold cranking amps at 0°F (-18°C)
Alternator	42 amp

## POWER TRAIN

Transmission: 4 speed sliding spur gear with power shuttle and torque converter. Permits on-the-go shifting up from 2nd to 3rd to 4th and down from 4th to 3rd.

Torque converter: Single stage hydrokinetic type (2.78 to 1 ratio).

Reversing unit: Power hydraulic clutches.

Brakes: Individual or simultaneous foot actuated, hydraulic self-adjusting. Standard 6.5" (165 mm) self energizing bands and disc. Over-center hand-operated parking brake.

Final drives: Multiple gear reduction.

## AXLES RATINGS

FRONT	
Dynamic	44,000 lbs (19 950 kg)
Static	11,500 lbs (5216 kg)
REAR	
Dynamic	54,000 lbs (24 494 kg)
Static	13,500 lbs (6123 kg)

## STEERING

Power steering	Hydrostatic
Hydraulic pump	Front mounted, positive displacement, gear type, tandem pump
Pump capacity	7 gpm @ 2200 rpm @ 2000 psi (26 l/min @ 2200 r/min @ 13 790 kPa)
Main relief setting	2100 ± 50 psi (14 479 ± 345 kPa)
Turning ratio (stop to stop)	2.75 turns
Steering cylinders (2)	1.5" dia x 6.5" stroke (38 mm dia x 165 mm stroke)
Double acting	

## SERVICE CAPACITIES

	U.S.	Litres
Cooling system		
w/heater	13 qt 15 oz	12.75
w/o heater	12 qt 26 oz	9.22
Fuel tank	22 gal	83
Engine oil		
w/filter	7 qt	6.6
w/o filter	6 qt	5.7
Power shuttle	8 qt	7.6
Transaxle	20 qt	18.6
Hydraulic reservoir		
w/filter	12.5 gal	47.3
w/o filter	12 gal	45.4

## TRAVEL SPEEDS—MPH (km/h)

Engine at full throttle, 17.5L x 24, R4 rear tires.

	FIRST	SECOND	THIRD	FOURTH
Forward	3.4 (5.5)	6.4 (10.3)	11.9 (19.1)	21.0 (33.8)
Reverse	3.0 (4.8)	5.8 (9.3)	10.7 (17.2)	18.9 (30.4)

## 580D TIRES

	SIZE	PLY RATING	TREAD	PRESSURE PSI (kPa)
FRONT	7.50 x 16	10	(I1) rib	56 (386)
	8.00 x 16	10	(F3) truck tread	56 (386)
	11L x 16	10	(F3) truck tread	48 (331)
REAR	14.9 x 24	6	(R4) utility traction	20 (138)
	14.9 x 24	8	(R4) utility traction	24 (165)
	16.9 x 24	6	(R4) utility traction	18 (124)
	*16.9 x 24	8	(R4) utility traction	24 (165)
	17.5L x 24	6	(R4) industrial suregrip	16 (110)
	*17.5L x 24	8	(R4) industrial suregrip	22 (152)

\*Must be used on machines equipped with Extendahoe. May also be used on machines equipped with 14" (4.27 m) backhoe.

## TURNING CLEARANCE CIRCLE

With brakes	21' 2" (6.45 m)
Without brakes	24' 1" (7.34 m)

# 580D Loader

## HYDRAULIC SYSTEM

Hydraulic pump: Front mounted, positive displacement, gear type, tandem pump.

Pump capacity: 23 gpm @ 2200 rpm @ 2000 psi  
87 l/min @ 2200 r/min @ 13 790 kPa).

Control valve main relief pressure: 2450 psi (16 892 kPa).

Filtration: 15 micron, full flow replaceable cartridge on return line. Condition indicator light for filter.

Loader control valve: Mono cast two or three spool. Single lever control for lift and tilt. Lift lever has positive hold "float" position and "return-to-dig" feature.

Hydraulic lines: Steel tubing with brazed or flared fittings and wire braid, high pressure hose with crimped, full flow fittings.

Loader cylinders:

- Lift (2) ..... 3" dia x 31.5" stroke, 1.75" rod  
(76 mm dia x 800 mm stroke, 44 mm rod)
- Tilt (2) ..... 2.5" dia x 20" stroke, 1.5" rod  
(64 mm dia x 508 mm stroke, 38 mm rod)
- Clam (2) ..... 3" dia x 9" stroke, 1.75" rod  
(76 mm dia x 229 mm stroke, 44 mm rod)

## LOADER BUCKET SIZES (Capacities SAE)

WIDTH		TYPE	HEAPED		STRUCK	
In	m		yd <sup>3</sup>	m <sup>3</sup>	yd <sup>3</sup>	m <sup>3</sup>
74	1.88	Short lip	.75	.60	.70	.50
82	2.08	Long lip	1.00	.78	.87	.67
82	2.08	4-in-1	1.00	.76	.81	.62

## OPERATIONAL DATA (General Purpose Bucket)

Lift capacity to full height ..... 5155 lbs (2338 kg)  
Height to bucket hinge pin-raised ..... 10' 9.4" (3.29 m)  
Bucket rollback at ground line ..... 40°  
Breakout force ..... 7600 lbs (33 806 N)  
Dump angle at full height ..... 45°  
Grading angle ..... 110°

	SHORT LIP	LONG LIP
Digging depth below ground line—bucket flat	3.25" (83 mm)	3.25" (83 mm)
Dump clearance at full height 45° dump	8' 7.75" (2.64 m)	8' 4" (2.54 m)
Dump reach at full height 45° dump	25.5" (648 mm)	28" (711 mm)
Reach—bucket on ground	5' 10.8" (1.80 m)	6' 4.6" (1.95 m)
Raising time to full height	5.2 sec	5.2 sec
Bucket dumping time	1.0 sec	1.0 sec
Lowering time, power down	3.0 sec	3.0 sec
Return-to-dig	4.1 sec	4.1 sec

## OPERATIONAL DATA (4-in-1® Bucket)

Lift capacity to full height ..... 4390 lbs (1991 kg)  
Height to bucket hinge pin ..... 10' 8.5" (3.27 m)  
Bucket rollback at ground line ..... 46°  
Breakout force ..... 7040 lbs (31 315 N)  
Dump angle at full height ..... 52°  
Grading angle—clam closed ..... 103°  
Digging depth below ground line—  
bucket flat ..... 5.25" (133 mm)  
Digging depth—using clam ..... 47" (1.19 m)  
Digging depth—clam open ..... 5" (127 mm)

Dump clearance at full height  
52° dump—clam ..... 10' 0.25" (3.05 m)  
52° dump—bucket ..... 8' 6.75" (2.61 m)  
Dump reach at full height—52° dump ..... 27" (686 mm)  
Reach-bucket on ground ..... 6' 5" (1.95 m)  
Raising time to full height ..... 5.2 sec  
Bucket dumping time ..... 1 sec  
Return-to-dig ..... 4.1 sec  
Width of dozer cutting edge ..... 6' 9.5" (2.07 m)  
Maximum clam opening ..... 3' 1.3" (947 mm)  
Moldboard height ..... 3' 0" (914 mm)

## TURNING CLEARANCE CIRCLE

Bucket rollback—hinge pin at SAE carry position  
With brakes ..... 30' 3.25" (9.23 m)  
Without brakes ..... 32' 5" (9.88 m)

## THREE POINT MOD HITCH

Hydraulic pump: Front mounted, positive displacement, gear type, tandem pump.

Pump capacity: 7 gpm @ 2200 rpm @ 2000 psi  
(26 l/min @ 2200 r/min @ 13 790 kPa).

Control valve: 4 spool sectional valve for hydraulic control of lift, tilt, pitch and auxiliary with "float" detent in the lift spool. Single spool sectional valve for hydraulic control of lift and mechanical adjustment of tilt and pitch. The main relief valve in this system is adjusted lower than the loader system pressure.

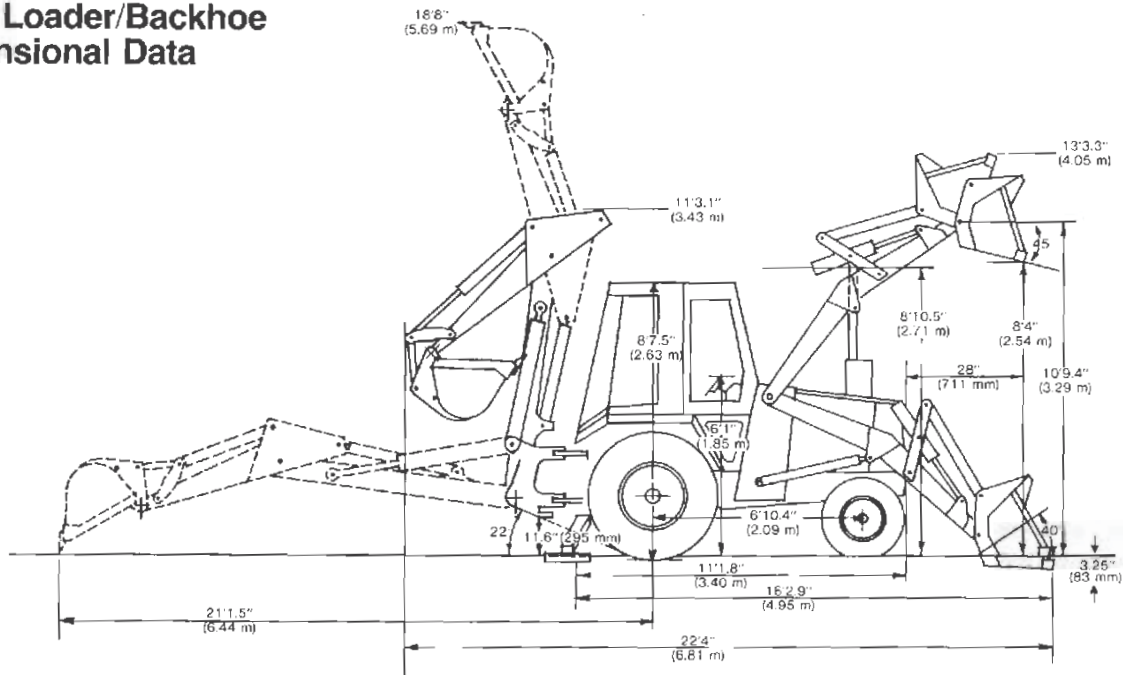
Mod hitch cylinders:

- Lift (1) ..... 3" dia x 8.4" stroke, 1.5" rod  
(76 mm x 214 mm stroke, 38 mm rod)
- Tilt (1) ..... 2.5" dia x 6.31" stroke, 1.25" rod  
(64 mm x 160 mm stroke, 32 mm rod)
- Pitch (1) ..... 2.5" dia x 7" stroke, 1.25" rod  
(64 mm x 178 mm stroke, 32 mm rod)





# 580D Loader/Backhoe Dimensional Data



## TRACTOR

Overall length	11' 1.8" (3.40 m)
Overall width	6' 6.2" to 6' 8.8" (1.97 to 2.05 m)
Height: to top of canopy	8' 7" (2.62 m)
Height: to top of cab	8' 7.5" (2.63 m)
Height: to top of exhaust stack	8' 10.5" (2.71 m)
Height: to top of steering wheel	6' 1" (1.85 m)
Ground clearance (tractor main frame)	9.125" (232 mm)
Front wheel tread	4' 11" or 5' 2" (1.5 m or 1.6 m)
Rear wheel tread	5' 2" (1.6 m)
Wheel base	6' 10.4" (2.09 m)

## LOADER

GENERAL PURPOSE BUCKET	SHORT LIP	LONG LIP
Overall length	15' 9.2" (4.80 m)	16' 2.3" (4.93 m)
Overall width	6' 5.5" (1.97 m)	6' 5.5" (1.97 m)
Overall operating height	13' 3.3" (4.05 m)	13' 3.3" (4.05 m)
Digging depth below ground— bucket flat	3.25" (83 mm)	3.25" (83 mm)
Height to bucket hinge pin	10' 9.4" (3.29 m)	10' 9.4" (3.29 m)
Dump clearance full height 45° dump	8' 7.8" (2.64 m)	8' 4" (2.54 m)
Dump angle at full height	45°	45°
Dump reach at full height 45° dump	25.5" (648 mm)	28" (711 mm)
Bucket rollback at ground line	40°	40°

## 4-in-1 BUCKET

Overall length	16' (4.88 m)
Height to bucket hinge pin	10' 8.5" (3.26 m)
Digging depth below ground—bucket flat	5.25" (133 mm)
Dump angle at full height	52°
Dump clearance at full height 52° dump—clam	10' 0.25" (3.05 m)
—bucket	8' 6.75" (2.61 m)

Dump reach at full height 52° dump	27" (686 mm)
Bucket rollback at ground line	46°

## BACKHOE

	14' (4.27 m)	EXTENDAHOE RETRACTED EXTENDED	
Overall length— transport			
Short lip bucket	21' 10.9" (6.68 m)	22' 2.25" (6.76 m)	N/A
Long lip bucket	22' 4" (6.81 m)	22' 7.35" (6.89 m)	N/A
4-in-1 bucket	22' 1.5" (6.74 m)	22' 4.85" (6.83 m)	N/A
Overall reach from rear axle centerline	21' 1.5" (6.44 m)	21' 2" (6.46 m)	25' (7.62 m)
Overall height, maximum	18' 8" (5.69 m)	18' 8" (5.69 m)	22' 3" (6.78 m)
Transport height	11' 3.1" (3.43 m)	11' 5.5" (3.49 m)	N/A
Overall width— transport	6' 9" (2.06 m)	6' 9" (2.06 m)	6' 9" (2.06 m)
Ground clearance at backhoe main frame	11.6" (295 mm)	11.3" (287 mm)	11.3" (287 mm)
Angle of departure	22°	21°	21°

**NOTE:** Specifications taken with 11L x 16, 10 PR front tires, 17.5L x 24, 6PR rear tires, ROPS canopy, 14' (4.27 m) backhoe with 24" (610 mm) trenching bucket, loader with 74" (1.88 m) short lip bucket and standard equipment unless otherwise specified.

## Equipment Attachments

### STANDARD EQUIPMENT

#### TRACTOR

Air cleaner, dry type with replaceable cartridge • Antifreeze solution to -20°F (-29°C) • Axle (front), heavy-duty with 59" (1.50 m) fixed tread • Brakes, hydraulic • Brake, parking, over-center • Electrical system, 12 volt • Engine, 55 hp (41 kW) Case G207D diesel • Fenders, rear • Floor plates • Fuel opening, lockable • Gauges and Instruments: air cleaner restriction light, alternator, charge warning lamp, condition light for loader and backhoe hydraulic system filter, converter temperature gauge, engine oil pressure warning light, engine water temperature gauge, fuel level gauge, hourmeter, tachometer, voltmeter • Grille, heavy-duty • Headlights (two shock mounted), one rear working and one red tail • Instrument cluster, illuminated • Muffler, upright oval with deflector • Oil cooler, hydraulic • Oil filter, full flow • Power shuttle with torque converter, 4-speed transaxle with differential lock • Radiator opening, lockable • Reservoir (hydraulic-single), for steering, loader and backhoe • ROPS canopy on isolated operator's compartment • Safety belt, seat mounted • Seat, Easy Ride with single lever turn-around adjustment • Side panels, full length of engine • Side panels, lockable • Steering, hydrostatic • Throttle, hand and foot • Tires (front) 7.50 x 16, 10 PR, II • Tires (rear), 14.9 x 24, 6PR, R4 utility traction tread • Toolbox • Wrap, front

#### LOADER

All tractor standard equipment • Single lever control • Hydraulic system, complete • Indicator, bucket level • Loader (less bucket) • Return-to-dig • Self-leveling • Support, strut, lift arm

#### 14' (4.27 m) BACKHOE

All tractor and loader standard equipment • Hydraulic system, complete, including three lever, footswing control • Over-center backhoe (less bucket) Model 35A with quick disconnect mounting • Stabilizers with two position cleated pads

#### 14'-18' (4.27 m-5.49 m) EXTENDAHOE

All tractor, loader and backhoe equipment • Hydraulic telescoping extendahoe, accessory hydraulics and front counterweight

### OPTIONAL EQUIPMENT

#### TRACTOR

Air conditioning • Alarm, backup • Anti-freeze to -40°F (-40°C) • Beacon, rotating • Emblem, SMV • Floor mat • Full lockup package • Hitch, modular 3-point • Horn • Lights, combination tail, stop, directional and flasher (canopy only) • Muffler, spark arresting • Paint, special • ROPS cab with air filtration, defogger, heater and pressurization • Seat, deluxe • Start kit, cold weather • Tires, various sizes — see tractor section • Weights, front end

#### LOADER

All tractor optional equipment • Accessory hydraulics • Bucket teeth • Rear counterweight • 82" (2.08 m) long lip, 74" (1.88 m) short lip, 82" (2.08 m) 4-in-1 buckets

#### BACKHOE

All tractor and loader optional equipment • Backhoe floor mat • Boom lockout • Counterweight, front • Dual lever backhoe controls • Street-cemetery stabilizer pads • 12" (305 mm), 18" (457 mm), 24" (610 mm), 30" (714 mm) standard duty trenching buckets • 18" (475 mm), 24" (610 mm), 30" (762 mm), 36" (914 mm) heavy-duty trenching buckets

### APPROXIMATE SHIPPING WEIGHTS

**NOTE:** Specifications taken with 11L x 16 front tires, 17.5L x 24 rear tires, ROPS canopy and standard equipment unless otherwise specified.

#### TRACTOR

Drawbar tractor w/ROPS canopy ..... 6000 lbs (2722 kg)  
Drawbar tractor w/ROPS cab ..... 6320 lbs (2867 kg)  
Air conditioning ..... add 30 lbs (13.6 kg)

#### TRACTOR WITH LOADER (Less Bucket)

Without rear counterweight ..... 7350 lbs (3334 kg)  
Rear counterweight (required  
with no rear attachments) ..... add 1495 lbs (3157 kg)

#### LOADER BUCKETS (Optional)

74" (1.88 m) short lip ..... 600 lbs (272 kg)  
82" (2.08 m) long lip ..... 760 lbs (345 kg)  
82" (2.08 m) 4-in-1® ..... 1130 lbs (513 kg)

#### TRACTOR WITH LOADER/BACKHOE (Less Buckets)

14' (4.27 m) backhoe ..... 10,425 lbs (4729 kg)  
Extendahoe® ..... 11,134 lbs (5050 kg)  
Front counterweight (required w/extendahoe)  
..... add 800 lbs (363 kg)

#### BACKHOE BUCKETS (Optional)

	Standard Trenching	Heavy-Duty Trenching
12" (305 mm) .....	198 lbs ( 90 kg)	N/A
18" (457 mm) .....	238 lbs (108 kg)	322 lbs (146 kg)
24" (610 mm) .....	270 lbs (122 kg)	380 lbs (175 kg)
30" (762 mm) .....	306 lbs (139 kg)	410 lbs (186 kg)
36" (914 mm) .....	346 lbs (157 kg)	458 lbs (208 kg)

#### MOD HITCH

3 point hitch ..... 700 lbs (321 kg)

Extendahoe, 4-in-1 and Construction King are trademarks of the J I Case Company.

**NOTE:** All specifications are stated in accordance with ICED definitions or SAE standards or recommended practices, where applicable.

#### IMPORTANT

J I Case Company reserves the right to change these specifications without notice and without incurring any obligation relating to such change.

**Sold and serviced by:**