

# 580L turbo Series 2 Loader/Backhoe



## ENGINE

Model ..... Case 4T-390 diesel  
 Type..... 4-stroke, turbocharged  
 Cylinders ..... 4  
 Bore/Stroke ..... 4.02" x 4.72"  
 (102 X 120 mm)  
 Displacement ..... 239 in<sup>3</sup> (3.9 L)  
 Fuel injection..... Direct  
 Fuel..... Diesel  
 Fuel filter ..... In-line strainer  
 Air intake ..... Cross-flow  
 Cooling ..... Liquid  
 Engine speeds (rpm)  
 Rated speed, full load ..... 2200  
 Low idle ..... 900 - 1100  
 High idle, no load ..... 2378 - 2471  
 Horsepower  
 Gross ..... 85 (63 kW) @ 2200 rpm  
 Net ..... 80 (60 kW) @ 2200 rpm  
 Maximum torque @ 1500 rpm  
 Gross ..... 254 lb-ft (344 N·m)  
 Net ..... 249 lb-ft (338 N·m)  
 Torque rise at rated speed ..... 25%

NOTE: Meets federal emission regulations.

## ENGINE COOLING

Radiator (Non Air-Conditioned)  
 Core type..... Square wave  
 Core size area ..... 369 in<sup>2</sup> (.238 m<sup>2</sup>)  
 Rows of tubes ..... 4  
 Fan  
 Style ..... 7 blade suction  
 Diameter ..... 19.2" (488 mm)  
 Ratio ..... 1.1:1  
 Water pump  
 Style ..... Integral  
 Engine oil  
 Pump..... Deep sump plate cooler  
 with pressurized  
 under-piston nozzles  
 Pump operating angle ratings  
 Side-to-side ..... Rated 45°  
 Fore and aft ..... Rated 45°  
 Oil filtration..... Replaceable,  
 full-flow cartridge

## POWERTRAIN

Transmission... 4-speed synchromesh  
 with hydraulically actuated  
 clutches and electric  
 F/R shuttle control, clutch  
 disconnect buttons on the  
 transmission shifter and  
 loader control lever  
 Gear ratios    Forward    Reverse  
 1st ..... 5.491 ..... 4.550  
 2nd ..... 3.043 ..... 2.522  
 3rd ..... 1.584 ..... 1.313  
 4th ..... 0.793 ..... 0.657  
 Torque converter  
 Ratio ..... 3.337  
 Differential-lock ..... On-the-go  
 push-button activation  
 Front axle  
 Differential ratio ..... 2.0  
 Planetary hub ratio ..... 6.0  
 Total reduction ratio ..... 12.0  
 Rear axle  
 Differential ratio ..... 2.333  
 Planetary hub ratio ..... 6.923  
 Total reduction ratio ..... 16.153  
 Service brakes .. Individually applied  
 hydraulically actuated  
 maintenance-free self-adjusting  
 inboard mounted wet disc  
 Disc area ..... 53 in<sup>2</sup> (.03 m<sup>2</sup>)  
 Parking brakes ..... Mechanically  
 applied with electric activation  
 sensors at each brake  
 Travel speeds – mph (km/h)  
                   1st    2nd    3rd    4th  
 Forward 3.6 ..... 6.5 ..... 12.5 ..... 25.0  
 (5.8)    (10.5)    (20.1)    (40.2)  
 Reverse 4.4 ..... 7.9 ..... 15.1 ..... 30.2  
 (7.0)    (12.6)    (24.3)    (48.6)

NOTE: Travel speeds at 2334 engine rpm with  
 19.5L x 24 rear tires. Speeds decrease  
 with 17.5L x 24 rear tires.

## TIRES

Front  
 2WD – 11L x 16.1, 10-ply rating  
 4WD – 12 x 16.5, 8-ply rating  
 Rear  
 2/4WD – 17.5L x 24, 10-ply rating  
 2/4WD – 19.5L x 24, 10-ply rating

## HYDRAULICS

Pump ..... Gear-type tandem,  
 front mounted, direct drive  
 to engine crankshaft  
 Loader flow @ rated engine rpm  
 28.5 gpm @ 3000 psi  
 (108 L/min @ 207 bar)  
 Loader control valve..... Sectional  
 2 or 3-spool with  
 single lever control for  
 lift, tilt and auxiliary hydraulics,  
 positive hold float  
 and return-to-dig  
 Backhoe flow @ rated engine rpm  
 28.5 gpm @ 3000 psi  
 (108 L/min @ 207 bar)  
 Backhoe control valve ..... Sectional  
 6, 7 or 8-spool, open-center  
 parallel circuits with regeneration  
 for boom, dipperstick, bucket,  
 swing, two stabilizers, Extendahoe®  
 dipperstick and auxiliary  
 Loader auxiliary hydraulics  
 12 to 28.5 gpm  
 (45.4 to 108 L/min)  
 Backhoe auxiliary hydraulics  
 Uni- and bi-directional flow,  
 directional lever with  
 foot pedal activation  
 19 to 28 gpm  
 (72 to 106 L/min)  
 Hand-held auxiliary hydraulics  
 7 to 17 gpm  
 (26.5 to 64 L/min)  
 Main relief pressure  
 3050 + 50 - 50 psi @ 28.5 gpm  
 (210 + 3 - 3 bar @ 108 L/min)  
 Filtration ..... 7-micron,  
 full flow replaceable  
 cartridge on return line, condition  
 indicator light for filter  
 Oil cooler..... Heavy-duty

## ELECTRICAL

Voltage ..... 12 Volts, negative ground  
 Alternator ..... 65 amp (2.5 kW)  
 Battery ..... 685 cold-cranking amps  
 Optional batteries ..... (2) 525  
 cold-cranking amps

## OPERATOR ENVIRONMENT

ROPS/FOPS canopy  
Key start  
Hydrostatic steering  
Standard seat w/180° swivel  
Hand and foot throttles  
Loader control lever w/push-button activation of differential lock and transmission de-clutch  
Backhoe foot-swing w/3 lever control  
(2) Accessory power plugs (30 amp)  
Anti-vandalism covers (canopy only)  
Beverage holder  
Coat hook w/tether strap  
Interior rear-view mirror  
2" (51 mm) retractable seat belt  
Storage box

## INSTRUMENTATION

Gauges  
Engine water temperature  
Converter oil temperature  
Fuel  
Tachometer/hourmeter  
Voltmeter  
Warning lights  
Air cleaner restriction  
Alternator  
Engine oil pressure  
Hydraulic oil filter bypass  
Parking brake engagement  
Rear axle fluid temperature sensing system  
Audible alarms  
Coolant temperature  
Engine oil pressure  
Parking brake engagement  
Shuttle engagement/seat position  
Backup alarm  
Turn signal indicators  
Horn

## TURNING DIAMETER

2WD  
Brakes on..... 21'3" (6.48 m)  
Brakes off..... 24'8" (7.52 m)  
4WD – engaged  
Brakes on..... 22'1" (6.72 m)  
Brakes off..... 28'3" (8.62 m)  
4WD – disengaged  
Brakes on..... 22'0" (6.70 m)  
Brakes off..... 25'3" (7.70 m)

NOTE: Turning diameter dimensions curb to curb w/19.5L x 24 rear tires and 82" (2.08 m) general purpose or 4 IN 1® bucket.

## OPERATING WEIGHTS

**Lightest Configuration**  
Unit equipped with 2WD,  
ROPS/FOPS canopy, non-suspension seat, 82" (2.08 m) general purpose loader bucket, 24" (610 mm) general purpose backhoe bucket, standard dipperstick, 17.5L x 24 rear tires, 11L x 16.1 front tires, single battery, standard cast stabilizer pads, no operator ..... 12,572 lb (5703 kg)

**Heaviest Configuration**  
Unit equipped with 4WD, cab, suspension seat, 82" (2.08 m) 4 IN 1® loader bucket, 24" (610 mm) general purpose backhoe bucket, Extendahoe® dipperstick, 19.5L x 24 rear tires, 12L x 16.5 front tires, dual batteries, flip stabilizer pads, no operator ..... 15,151 lb (6872 kg)

### Add-on weights

Cab (over canopy) ... +454 lb (206 kg)  
Counterweights..... +440 lb (200 kg)  
+900 lb (408 kg)  
Extendahoe® ..... +430 lb (195 kg)  
4WD w/driveshaft guard..... + 283 lb (128 kg)

## SERVICE CAPACITIES

Fuel tank ..... 31.4 gal (119 L)  
Optional tank ..... 40.0 gal (151 L)  
Hydraulic system  
Total ..... 28.0 gal (106 L)  
Total w/Extendahoe® ..... 29.5 gal (111.7 L)  
Reservoir w/filter.. 14.5 gal (54.9 L)  
Reservoir w/o filter . 14.0 gal (53 L)  
Transmission  
2WD Total system .. 19.5 qt (18.5 L)  
4WD Total system .. 22.0 qt (20.8 L)  
4WD Front axle  
Differential..... 5.8 qt (5.5 L)  
Planetaries (each)..... 0.7 qt (0.66 L)  
Rear axle  
Differential..... 15.0 qt (14.2 L)  
Planetaries (each)..... 1.6 qt (1.5 L)  
Engine oil w/filter .... 11.6 qt (10.97 L)  
Cooling system  
w/heater ..... 17.4 qt (16.5 L)  
w/o heater..... 16.7 qt (15.8 L)  
Window washer reservoir..... 2.5 qt (2.36 L)

## LOADER

Single-lever control for lift and tilt  
Positive hold float  
Return-to-dig  
Automatic self-leveling  
In-line, reverse linkage  
Dual parallel dump cylinders  
Clutch disconnect button on loader control and shift levers  
Bucket position indicator

### Loader Bucket Sizes

Width	Weight	Struck	Heaped
<b>General Purpose Bucket</b>			
82" (2.08 m)	686 lb* (311 kg)	0.87 yd <sup>3</sup> (0.67 m <sup>3</sup> )	1.03 yd <sup>3</sup> (0.79 m <sup>3</sup> )
93" (2.36 m)	1,123 lb (509 kg)	1.1 yd <sup>3</sup> (0.84 m <sup>3</sup> )	1.3 yd <sup>3</sup> (0.99 m <sup>3</sup> )
<b>4 IN 1® Bucket</b>			
82" (2.08 m)	1462 lb (663 kg)	0.85 yd <sup>3</sup> (0.65 m <sup>3</sup> )	1.04 yd <sup>3</sup> (0.80 m <sup>3</sup> )

NOTE: \*Add 103 lb (47 kg) to 82" (2.08 m) general purpose bucket for bolt-on cutting edge.

## BACKHOE

Over-center design  
Cast, ductile iron boom, dipperstick and swing tower w/5 year warranty  
Open-center hydraulics  
175,800 lb-in (19 862 N-m) swing torque  
Foot-swing w/3 lever control  
Wing stabilizers w/cleated dirt pad

### Backhoe Bucket Sizes

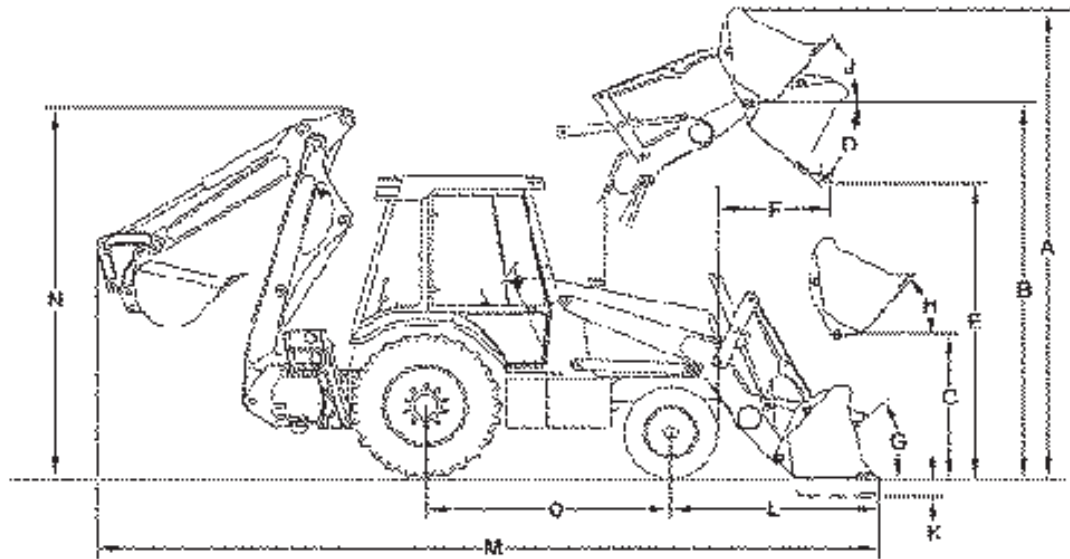
Width	Weight	Heaped
<b>General Purpose Trenching Buckets</b>		
18" (457 mm)	255 lb (116 kg)	4.7 ft <sup>3</sup> (0.13 m <sup>3</sup> )
24" (610 mm)	300 lb (136 kg)	6.26 ft <sup>3</sup> (0.17 m <sup>3</sup> )
30" (762 mm)	380 lb (172 kg)	7.83 ft <sup>3</sup> (0.22 m <sup>3</sup> )

### Heavy-Duty Trenching Buckets

Width	Weight	Heaped
12" (305 mm)	311 lb (141 kg)	2.90 ft <sup>3</sup> (0.08 m <sup>3</sup> )
16" (406 mm)	346 lb (157 kg)	3.60 ft <sup>3</sup> (0.10 m <sup>3</sup> )
18" (457 mm)	359 lb (163 kg)	4.30 ft <sup>3</sup> (0.12 m <sup>3</sup> )
24" (610 mm)	429 lb (195 kg)	6.40 ft <sup>3</sup> (0.18 m <sup>3</sup> )
30" (762 mm)	496 lb (225 kg)	8.65 ft <sup>3</sup> (0.24 m <sup>3</sup> )
36" (914 mm)	571 lb (259 kg)	10.80 ft <sup>3</sup> (0.30 m <sup>3</sup> )

### High Capacity Heavy-Duty Bucket

Width	Weight	Heaped
24" (610 mm)	430 lb (195 kg)	8.50 ft <sup>3</sup> (0.24 m <sup>3</sup> )



## LOADER DIMENSIONS

	General Purpose Bucket*	4 IN 1® Bucket
A. Overall operating height – fully raised	13'8" (4.17 m)	14'3" (4.34 m)
Height to –		
B. Bucket hinge pin fully raised	11'2" (3.4 m)	11'2" (3.4 m)
C. Bucket hinge pin @ SAE carry	12.7" (323 mm)	14.6" (372 mm)
D. Dump angle @ full height	46°	45°
E. Dump clearance @ full height, 45° dump –		
Bucket	8'8" (2.64 m)	8'11" (2.72 m)
Clam open	NA	9'8" (2.95 m)
F. Dump reach @ full height, 45° dump –		
Bucket	25.9" (657 mm)	25.4" (645 mm)
Clam open	NA	11.8" (300 mm)
Bucket rollback –		
G. @ groundline	40°	40°
H. @ SAE carry	45°	45°
J. @ full height	Adjustable	Adjustable
K. Digging depth below grade –		
Bucket flat	7.8" (199 mm)	7.1" (180 mm)
Clam open (dozing)	NA	4.4" (111 mm)
L. Reach from front axle centerline – bucket on ground	75.2" (1.91 m)	72.7" (1.85 m)
Lift capacity to full height	5,293 lb (2401 kg)	5,197 lb (2357 kg)
Breakout force –		
Lift cylinders	7,811 lbf (34 745 N)	7,116 lbf (31 654 N)
Dump cylinders	7,956 lbf (35 390 N)	7,879 lbf (35 048 N)
Bucket cutting edge width	82" (2.08 m)	82" (2.08 m)
Maximum grading angle	116°	116°
Maximum clam opening	NA	38.3" (972 mm)
Moldboard height	NA	36.8" (934 mm)
Raising time to full height	4.6 sec.	4.6 sec
Bucket dumping time	0.9 sec.	0.9 sec
Lowering time –		
Power down	2.1 sec.	2.1 sec
Return-to-dig	2.4 sec.	2.4 sec
Clam –		
Open time	NA	2.28 sec
Close time	NA	3.13 sec

NOTE: Loader dimensions taken with 4WD,  
19.5L x 24 rear tires and 82" (2.08 m) general  
purpose bucket \*without bolt-on cutting edge. 580L turbo Series 2 – page 3 of 6

## DIMENSIONS

	Extendahoe®		
	Standard Backhoe	Retracted	Extended
M. Overall transport length –			
General purpose bucket.....	23'0" (7.01 m)	23'0" (7.01 m)	NA
4 IN 1® bucket.....	22'10" (6.99 m)	22'10" (6.99 m)	NA
Overall transport width.....	7'2" (2.18 m)	7'2" (2.18 m)	NA
Height –			
To top of canopy.....	8'9" (2.67 m)	8'9" (2.67 m)	8'9" (2.67 m)
To top of cab.....	8'11" (2.72 m)	8'11" (2.72 m)	8'11" (2.72 m)
To top of exhaust stack.....	8'8" (2.64 m)	8'8" (2.64 m)	8'8" (2.64 m)
N. Transport.....	11'3" (3.42 m)	11'7" (3.53 m)	11'7" (3.53 m)
Ground clearance at backhoe frame.....	14.8" (376 mm)	14.8" (376 mm)	14.8" (376 mm)
Angle of departure.....	20°	20°	20°
Front wheel tread –			
2WD.....	67.5" (1.71 m)	67.5" (1.71 m)	NA
4WD.....	67.7" (1.72 m)	67.7" (1.72 m)	NA
Rear wheel tread.....	61.2" (1.55 m)	61.2" (1.55 m)	NA
O. Wheelbase –			
2WD.....	84" (2.13 m)	84" (2.13 m)	NA
4WD.....	84.5" (2.15 m)	84.5" (2.15 m)	NA

NOTE: Dimensions taken with 19.5L x 24 rear tires and 11L x 16 front tires except that data marked 4WD is taken with 12 x 16.5 front tires.

## CYLINDERS

	Bore Diameter	Rod Diameter	Stroke
Loader			
Lift (2).....	3.0" (76 mm)	1.75" (44.5 mm)	30.2" (766 mm)
Bucket (2).....	2.75" (69.9 mm)	1.5" (38.1 mm)	20.6" (522 mm)
4 IN 1® clam (2).....	3.0" (76 mm)	1.75" (44.5 mm)	9.1" (231 mm)
Backhoe			
Boom.....	4.5" (114 mm)	2.25" (57.2 mm)	38.6" (981 mm)
Dipperstick.....	4.25" (108 mm)	2.25" (57.2 mm)	27.0" (686 mm)
Bucket.....	3.25" (82.6 mm)	2.25" (57.2 mm)	34.3" (872 mm)
Extendahoe®.....	3.0" (76 mm)	1.75" (44.5 mm)	42.0" (1.07 m)
Swing (2).....	3.75" (95.3 mm)	2.0" (50.8 mm)	11.5" (292 mm)
Stabilizer (2).....	4.0" (101.6 mm)	2.0" (50.8 mm)	21.8" (553 mm)
Steering			
2WD.....	2.75" (69.9 mm)	1.5" (38.1 mm)	6.7" (170 mm)
4WD.....	2.48" (63 mm)	1.496" (38 mm)	9.53" (242 mm)

## BACKHOE LIFT CAPACITIES

Boom Lift	Extendahoe®		
	Standard Backhoe	Retracted	Extended
+16' (4.87 m)			810 lb (367 kg)
+14' (4.27 m)	1,950 lb (885 kg)	1,280 lb (581 kg)	1,400 lb (635 kg)
+12' (3.66 m)	2,700 lb (1225 kg)	1,940 lb (880 kg)	1,430 lb (649 kg)
+10' (3.05 m)	2,700 lb (1225 kg)	2,200 lb (998 kg)	1,540 lb (699 kg)
+8' (2.44 m)	2,750 lb (1247 kg)	2,220 lb (1007 kg)	1,610 lb (730 kg)
+6' (1.83 m)	2,730 lb (1238 kg)	2,260 lb (1025 kg)	1,620 lb (735 kg)
+4' (1.22 m)	2,720 lb (1234 kg)	2,290 lb (1039 kg)	1,660 lb (753 kg)
+2' (0.61 m)	2,680 lb (1216 kg)	2,290 lb (1039 kg)	1,700 lb (771 kg)
Ground Level	3,360 lb (1524 kg)	2,270 lb (1030 kg)	1,730 lb (785 kg)
-2' (0.61 m)	2,440 lb (1107 kg)	2,260 lb (1025 kg)	1,720 lb (780 kg)
-4' (1.22 m)	2,440 lb (1107 kg)	2,240 lb (1016 kg)	1,730 lb (785 kg)
-6' (1.83 m)	2,440 lb (1107 kg)	2,270 lb (1030 kg)	1,740 lb (789 kg)
-8' (2.44 m)	2,500 lb (1134 kg)	2,350 lb (1066 kg)	1,780 lb (807 kg)
-10' (3.05 m)	2,780 lb (1261 kg)	2,600 lb (1179 kg)	1,870 lb (848 kg)
-12' (3.66 m)			2,040 lb (925 kg)
-14' (4.27 m)			2,610 lb (1184 kg)
<b>Dipper Lift</b>			
+14' (4.27 m)			2,120 lb (962 kg)
+12' (3.66 m)	3,950 lb (1792 kg)	3,430 lb (1556 kg)	2,210 lb (1002 kg)
+10' (3.05 m)	3,690 lb (1674 kg)	3,170 lb (1438 kg)	2,200 lb (998 kg)
+8' (2.44 m)	3,750 lb (1701 kg)	3,240 lb (1470 kg)	2,160 lb (980 kg)
+6' (1.83 m)	4,100 lb (1860 kg)	3,610 lb (1637 kg)	2,230 lb (1012 kg)
+4' (1.22 m)	4,710 lb (2136 kg)	4,290 lb (1946 kg)	2,420 lb (1098 kg)

NOTE: Stated figures apply straight to the rear of prime mover. Equipped with 24" (610 mm) general purpose trenching bucket and links.  
For heavy-duty universal bucket and coupler, deduct 175 lb (79 kg) from each weight.

## BACKHOE OPERATIONAL DATA

	Extendahoe®		
	Standard Backhoe	Retracted	Extended
<b>Digging depth –</b>			
Maximum	14'3" (4.34 m)	14'10" (4.52 m)	18'3" (5.56 m)
2' (610 mm) flat bottom	14'2" (4.32 m)	14'8" (4.47 m)	18'2" (5.54 m)
8' (2.44 m) flat bottom	13'3" (4.04 m)	13'9" (4.19 m)	17'6" (5.33 m)
<b>Overall reach from –</b>			
Rear axle centerline	21'5" (6.53 m)	22'0" (6.70 m)	25'5" (7.75 m)
Swing pivot	17'10" (5.44 m)	18'5" (5.61 m)	21'10" (6.65 m)
Loading height	11'2" (3.40 m)	11'5" (3.48 m)	13'3" (4.04 m)
Loading reach – dipper retracted	8'9" (2.67 m)	8'8" (2.64 m)	11'6" (3.50 m)
Swing arc	180°	180°	180°
<b>Bucket rotation –</b>			
#1 position	170°	170°	170°
#2 position	170°	170°	170°
Stabilizer spread – operating	9'5" (2.87 m)	9'5" (2.87 m)	9'5" (2.87 m)
<b>Digging force –</b>			
Bucket cylinder	11,212 lbf (49 873 N)	11,212 lbf (49 873 N)	11,212 lbf (49 873 N)
Dipper cylinder	7,049 lbf (31 356 N)	6,686 lbf (29 741 N)	4,884 lbf (21 725 N)
	w/bucket @ 46°	w/bucket @ 50°	w/bucket @ 55°
<b>Leveling angle</b>			
maximum slope that backhoe will make vertical cut	12°	12°	12°

## STANDARD EQUIPMENT

### OPERATOR'S COMPARTMENT

See page 2

### ENGINE

Case 4T-390 turbocharged diesel  
Automatic fan belt tensioner  
Integral engine oil cooling  
Fuel filter w/water trap  
Air intake pre-cleaner  
Dual element air cleaner  
65 amp alternator  
685 CCA 12-volt battery  
Heavy-duty radiator  
Non-spark-arresting muffler

### LOADER

See page 2

### BACKHOE

See page 2

### POWERTRAIN

2WD  
4F/4R Power shuttle synchromesh transmission  
Torque converter  
Transmission de-clutch  
Electro-hydraulic differential lock  
Hydrostatic steering  
Wet disc brakes

### HYDRAULICS

2-spool loader control valve  
6-spool backhoe control valve  
Heavy-duty oil cooler

### OTHER

Forward tilt engine hood  
Replaceable, molded front bumpers  
Lights  
2 Halogen headlights  
2 Rear flood  
2 Rear tail and stop  
2 Front flashers/turn  
2 Rear flashers/turn

## OPTIONAL EQUIPMENT

### OPERATOR'S COMPARTMENT

Ride Control  
Cab with –  
Defroster  
Dome light  
Wipers, front and rear  
Tinted glass  
Floor mat  
Cab Convenience Package with –  
Vinyl-covered cloth interior  
Radio-ready kit w/antenna and speakers  
Reduced sound level to 75 dB(A)  
Window washers w/adjustable spray nozzles front and rear  
Additional storage tray behind RH console  
Sunvisor  
Sunvisor for canopy models  
Vinyl or cloth covered mechanical suspension seat  
3" (75 mm) retractable seat belt  
Cab heater  
Cab air-conditioning w/heater

### ENGINE

Cold weather ether starting aid  
Dual, 12-volt, 525 CCA batteries  
Chaff screen  
Fuel tank, 40 gal (151 L)

### LOADER

Hydraulic attachment coupler  
Attachment auxiliary hydraulics  
Buckets (see page 2)

### BACKHOE

Case attachment coupler  
Attachment auxiliary hydraulics  
Buckets (see page 2)  
Extendahoe®  
Two-lever control  
Stabilizer pads  
Flip-over  
Rubber pad  
Front counterweights  
440 lb (200 kg)  
900 lb (408 kg)

### POWERTRAIN

4WD w/outboard planetary drive, on-the-go push-button activation and 12 x 16.5 front tires

### HYDRAULICS

Auxiliary hydraulics for hand-held equipment

### OTHER

17.5L x 24 rear tires  
19.5L x 24 rear tires  
Tool box  
Special paint  
Lights  
2 Front flood  
2 Rear flood

NOTE: All specifications are stated in accordance with SAE Standards or Recommended Practices, where applicable.

Form No. CE 165-11-97  
Replaces Form No. - None

Case is a registered trademark of Case Corporation.



IMPORTANT: Case Corporation reserves the right to change these specifications without notice and without incurring any obligation relating to such change. Units shown may be equipped with non-standard equipment. Attachments from other manufacturers are shown for illustration only. Case Corporation does not warrant the safety or reliability of attachments from other manufacturers.

Visit Case Corporation on the Web at:  
<http://www.casecorp.com>  
Printed in U.S.A.

580L turbo Series 2 – page 6 of 6

© 1997 CASE CORPORATION  
All Rights Reserved.

CASE CORPORATION  
700 STATE STREET  
RACINE, WI 53404 U.S.A.

CASE CANADA CORPORATION  
450 SHERMAN AVENUE NORTH  
HAMILTON, ON L8N 4C4 CANADA