

ENGINE

| | | |
|----------------------------|---|--|
| Model | Case Family IV 445TA/E3 diesel, Tier III certified | |
| Type | 4-stroke, turbocharged | |
| Cylinders | 4 | |
| Bore/Stroke | 4.09 in x 5.19 in (104 x 132 mm) | |
| Displacement | 274 in ³ (4.5 L) | |
| Fuel injection | Direct high pressure common rail (HPCR) | |
| Fuel | Diesel | |
| Primary fuel filter | 5 micron | |
| Secondary fuel filter | 30 micron w/water trap and indicating lamp | |
| Air intake | Cross-flow | |
| Cooling | Liquid | |
| Engine speeds* (rpm) | | |
| Rated speed, full load | 2200 | |
| Low idle | 900 - 1000 | |
| High idle, no load | 2330 - 2430 | |
| Horsepower | | |
| Gross | 97 (72 kW) @ 2200 rpm | |
| Net | 95 (71 kW) @ 2200 rpm | |
| Maximum torque @ 1400 rpm | | |
| Gross | 334 lb-ft (453 N-m) | |
| Net | 326 lb-ft (442 N-m) | |
| Torque rise at rated speed | 45% | |

NOTE: *Engine speeds with standard transmission.
Meets federal emission regulations.

ENGINE COOLING

| | | |
|------------------------------|---|--|
| Radiator | | |
| Core type | Square wave | |
| Core size area | 487 in ² (.315 m ²) | |
| Rows of tubes | 5 | |
| Fan | | |
| Style | 9 blade viscous suction | |
| Diameter | 19.6 in (500 mm) | |
| Ratio | 1.4:1 | |
| Water pump | | |
| Style | Integral | |
| Engine oil Pump | Deep sump plate cooler with pressurized under-piston nozzles | |
| Pump operating angle ratings | | |
| Side-to-side | Rated 35° | |
| Fore and aft | Rated 35° | |
| Oil filtration | Replaceable, full-flow cartridge | |

TIRES

| | |
|-------|-------------------------|
| Front | 4WD - 12.5/80 x 18, 8PR |
| Rear | 4WD - 21L x 24, 10PR |

POWERTRAIN

| | | | |
|----------------------------|---|---------------|-------------------------------|
| Transmission | 4-speed synchromesh with hydraulically actuated clutches and electric F/R shuttle control, clutch disconnect buttons on the transmission shifter and loader control lever 4WD w/limited slip differential, outboard planetary drive, on-the-go push button activation and 12.5/80 x 18 front tires | | |
| Gear ratios | Forward | Reverse | |
| 1st | 5.603 | 4.643 | |
| 2nd | 3.431 | 2.884 | |
| 3rd | 1.584 | 1.313 | |
| 4th | 0.793 | 0.657 | |
| Torque converter | | | |
| Ratio | 2.64 | | |
| Differential lock | On-the-go push-button activation | | |
| Front 4WD axle | | | |
| Differential ratio | 2.5 | | |
| Planetary hub ratio | 6.4 | | |
| Total reduction ratio | 12.0 | | |
| Rear axle | | | |
| Differential ratio | 2.5 | | |
| Planetary hub ratio | 6.4 | | |
| Total reduction ratio | 16.0 | | |
| Service brakes | Individually applied, power assisted, hydraulically actuated, maintenance-free, self-adjusting, outboard mounted, wet disc, 2 per side | | |
| Disc area | 384 in ² (.25 m ²) | | |
| Parking brakes | String applied hydraulic release (SAHR) | | |
| Travel speeds - mph (km/h) | | | |
| | 1st | 2nd | 3rd 4th |
| Forward | 4.0 (6.4) | 6.3 (10.1) | 13.5 (21.8) 25.4 (40.9) |
| Reverse | 4.7 (7.6) | 7.5 (12.1) | 16.2 (26.1) 30.5 (49.1) |

NOTE: Travel speeds at 2310 engine rpm.

ELECTRICAL

| | | |
|---|---------------------------|--|
| Voltage | 12 volts, negative ground | |
| Alternator | 90 amp | |
| Cold weather grid heater w/dual CCA batteries | 12-volt, 850 | |
| Power plugs | (2) 30 amps ea. | |

HYDRAULICS

| | | |
|--|---|--|
| Pump | Variable displacement axial piston pump, transmission mounted | |
| Main relief pressure | 3100 + 0 - 100 psi @ 40 gpm (214 + 0 - 6 bar @ 151 L/min) | |
| Filtration | 7-micron, full flow replaceable cartridge on return line, condition indicator light for filter | |
| Oil cooler | Heavy-duty | |
| Loader flow @ rated engine rpm | Combined functions 40.0 gpm @ 3100 psi (151 L/min @ 214 bar) | |
| | Individual functions 31.5 gpm @ 3100 psi (119 L/min @ 214 bar) | |
| Loader control valve | Pressure compensated loader hydraulics for simultaneous lift and bucket operation Hydraulics for simultaneous multifunction operation Sectional valve single lever control for lift, tilt and auxiliary hydraulics, positive hold float and return-to-dig | |
| Loader auxiliary hydraulics with proportional thumb switch w/detent on loader control handle | 0 to 31.5 gpm (0 to 119 L/min) | |
| Backhoe flow @ rated engine rpm | 40 gpm @ 3100 psi (151 L/min @ 214 bar) | |

Pilot Backhoe Controls

| | | |
|--|--|--|
| Backhoe Control Valve | Pressure compensated backhoe Top 8-spool sectional closed-center with flushing inlet and circuits in parallel | |
| Backhoe auxiliary hydraulics | Uni-directional flow, adjustable variable flow from 0 to 36 gpm (136 L/min) Control operation Pilot Button on left joystick | |
| Bi-Directional flow, variable flow from 0 to 38 gpm (144 L/min) @ rated engine rpm | Control operation Dual proportional thumb control on left joystick | |

OPERATOR ENVIRONMENT

| |
|---|
| ROPS/FOPS canopy |
| Key start |
| Hydrostatic steering |
| Vinyl air suspension seat w/180° swivel |
| Seat turn around idle |
| Electronic hand and foot throttles |
| Ergonomic loader control lever w/push-button activation of differential lock and transmission de-clutch |
| Backhoe pilot controls |
| (2) Accessory power plugs (30 amp) |
| Anti-vandalism covers (canopy only) |
| Cup holder |
| Coat hook w/tether strap (cab only) |
| Interior rearview mirror |
| 3 in (76 mm) retractable seat belt |
| Storage compartment w/lid |
| Left side storage tray |
| +900 lb (408 kg) counterweight |
| Extendahoe |
| 4WD |

INSTRUMENTATION

| |
|--|
| Vehicle Control Module w/menu driven options and onboard diagnostics |
| Cruise control |
| Foot throttle sensitivity |
| Cold weather idle settings |
| Maintenance settings |
| Gauges |
| Engine water temperature |
| Converter oil temperature |
| Fuel |
| Tachometer/hourmeter |
| Voltmeter |
| Warning lights |
| Air cleaner restriction |
| Alternator |
| A/C high pressure |
| Cold start |
| Engine oil pressure |
| Hydraulic oil filter bypass |
| Parking brake |
| Rear axle fluid temperature sensing system |
| Low fuel |
| Audible alarms w/diagnostics |
| Coolant temperature |
| Engine oil pressure |
| Parking brake engagement |
| Shuttle engagement/seat position |
| Backup alarm |
| Horn - dual switched front & rear |

TURNING DIAMETER

| |
|--|
| 4WD – engaged |
| Brakes on 23 ft 11 in (7.29 m) |
| Brakes off 29 ft 8 in (9.08 m) |
| 4WD – disengaged |
| Brakes on 22 ft 6 in (6.85 m) |
| Brakes off 27 ft 0 in (8.22 m) |

NOTE: Turning diameter dimensions curb to curb w/21L x 24 tires and 93 (2.36 m) general purpose bucket.

OPERATING WEIGHTS

| |
|---|
| Lightest Configuration |
| Unit equipped with 4WD, ROPS canopy, vinyl air suspension seat, 93 in (2.36 m) general purpose loader bucket, 24 in (610 mm) Universal backhoe bucket, Extendahoe dipper, 21L x 24 rear tires, 12.5 x 80/18 front tires, single battery, flip over stabilizer pads, 900 lb counterweight, no operator 14,905 lb (6761 kg) |
| Heaviest Configuration |
| Unit equipped with 4WD, ROPS 2 door cab, cloth air suspension seat, 93 in (2.36 m) 4 IN 1° loader bucket, 24 in (610 mm) Universal backhoe bucket, Extendahoe® dipperstick, 21L x 24 rear tires, dual batteries, flip stabilizer pads, 900 lb counterweight, no operator 18,128 lb (8,223 kg) |

| |
|--|
| Add-on weights |
| Cab (over canopy) +454 lb (206 kg) |
| Extendahoe® +496 lb (225kg) |
| 4WD w/driveshaft guard +283 lb (128 kg) |

SERVICE CAPACITIES

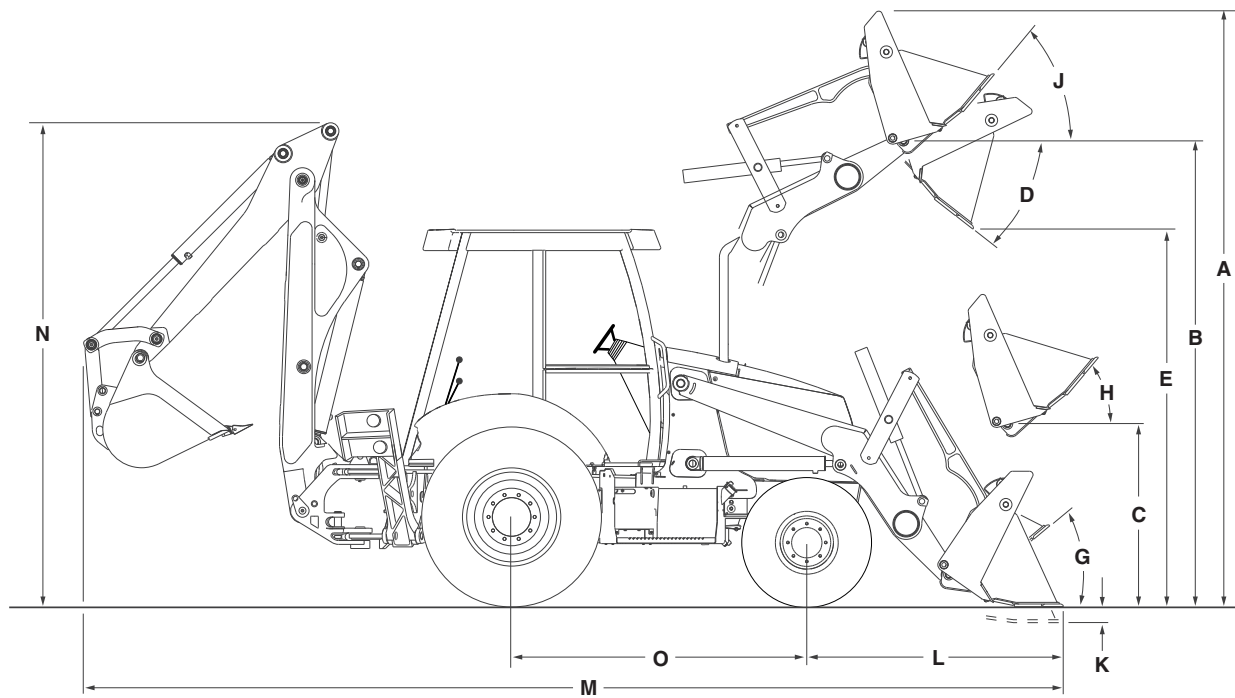
| |
|--|
| Fuel tank 42.0 gal (159 L) |
| Hydraulic system |
| Total 29.5 gal (11.5 L) |
| Total w/Extendahoe® 31.0 gal (117.2 L) |
| Reservoir w/filter 12.5 gal (47.1 L) |
| Reservoir w/o filter 12.0 gal (45.2 L) |
| Transmission |
| 4WD Total system 20.5 qt (19.4 L) |
| 4WD Front axle |
| Differential 6.7 qt (6.3 L) |
| Planetaries .63 qt (.6 L) |
| Rear axle |
| Differential and planetaries 9.7 qt (18.6 L) |
| Engine oil w/filter 14.4 qt (13.6 L) |
| Cooling system |
| w/heater 19.0 qt (18.0 L) |
| w/o heater 18.3 qt (17.3 L) |
| Window washer reservoir 3.5 qt (3.3 L) |

LOADER

| |
|---|
| Single-lever control for lift and tilt |
| Positive hold float |
| Return-to-dig |
| Automatic self-leveling |
| In-line, reverse linkage |
| Dual parallel dump cylinders |
| Clutch disconnect button on loader control and shift levers |
| Bucket position indicator |
| Loader Bucket Sizes |
| Width Weight Struck Heaped |
| General Purpose Bucket |
| 93 in 933 lb* 1.07 yd³ 1.25 yd³ |
| (2.36 m) (423 kg) (0.82 m³) (0.96 m³) |
| 4 IN 1° Bucket |
| 93 in 1,628 lb 1.0 yd³ 1.2 yd³ |
| (2.36 m) (738 kg) (0.76 m³) (0.92 m³) |

BACKHOE

| |
|--|
| Pilot operated control system |
| Fingertip stabilizer controls |
| Thumb operated proportional extendahoe control |
| One touch idle |
| Thumb operated proportional auxiliary hydraulics |
| Infinitely adjustable towers w/wrist wrests |
| In cab pattern changer |
| Over-center design |
| Cast, ductile iron boom, and swing tower |
| Closed-center hydraulics - Pro Control System |
| 17, 940 lb-ft (24 370 N-m) swing torque |
| Case attachment coupler |
| Flip over stabilizer pads |
| Backhoe Bucket Sizes |
| Width Weight Heaped |
| Universal Buckets |
| 12 in 290 lb 3.40 ft³ |
| (305 mm) (132 kg) (0.10 m³) |
| 16 in 346 lb 3.60 ft³ |
| (406 mm) (157 kg) (0.10 m³) |
| 18 in 350 lb 5.30 ft³ |
| (457 mm) (159 kg) (0.15 m³) |
| 24 in 413 lb 7.70 ft³ |
| (610 mm) (187 kg) (0.22 m³) |
| 30 in 475 lb 10.20 ft³ |
| (762 mm) (215 kg) (0.29 m³) |
| 36 in 535 lb 12.70 ft³ |
| (914 mm) (243 kg) (0.36 m³) |
| High Capacity Buckets |
| 24 in 450 lb 8.50 ft³ |
| (610 mm) (204 kg) (0.24 m³) |
| 30 in 517 lb 10.60 ft³ |
| (762 mm) (235 kg) (0.30 m³) |



LOADER DIMENSIONS

| | General Purpose Bucket* | 4 IN 1® Bucket |
|---|-------------------------------|-----------------------|
| A. Overall operating height – fully raised | 14 ft 4 in (4.36 m) | 14 ft 7 in (4.45 m) |
| Height to – | | |
| B. Bucket hinge pin fully raised | 11 ft 6 in (3.51 m) | 11 ft 6 in (3.51 m) |
| C. Bucket hinge pin @ SAE carry | 13.1 in (334 mm) | 14.6 in (372 mm) |
| D. Dump angle @ full height | 45° | 45° |
| E. Dump clearance @ full height, 45° dump – | | |
| Bucket | 9 ft 2 in (2.80 m) | 9 ft 3 in (2.83 m) |
| Clam open | NA | 10 ft 0 in (3.06 m) |
| F. Dump reach @ full height, 45° dump – | | |
| Bucket | 30.0 in (763 mm) | 27.8 in (707 mm) |
| Clam open | NA | 14.3 in (362 mm) |
| Bucket rollback – | | |
| G. @ groundline | 40° | 40° |
| H. @ SAE carry | 45° | 45° |
| J. @ full height | Adjustable | Adjustable |
| K. Digging depth below grade – | | |
| Bucket flat | 1.3 in (33 mm) | 2.4 in (61 mm) |
| L. Reach from front axle centerline – bucket on ground | 77.6 in (1.97 m) | 75.2 in (1.91 m) |
| Lift capacity to full height | 6,182 lb (2804 kg) | 5,514 lb (2501 kg) |
| Breakout force – | | |
| Lift cylinders | 9,164 lbf (40 760 N) | 8,904 lbf (39 600 N) |
| Dump cylinders | 9,480 lbf (42 170 N) | 10,302 lbf (45 820 N) |
| Bucket cutting edge width | 82 in (2.08 m)/93 in (2.36 m) | 82 in (2.08 m) |
| Maximum grading angle | 116° | 116° |
| Maximum clam opening | NA | 38.3 in (972 mm) |
| Moldboard height | NA | 36.8 in (934 mm) |
| Raising time to full height | 3.4 sec | 3.4 sec |
| Bucket dumping time | 1.5 sec | 1.5 sec |
| Lowering time – | | |
| Power down | 2.4 sec | 2.4 sec |
| Return-to-dig | 3.2 sec | 3.2 sec |
| Clam – | | |
| Open time | NA | 2.3 sec |
| Close time | NA | 3.1 sec |

NOTE: Loader dimensions taken with 4WD,
21L x 24 rear tires and 93 in (2.36 m) general purpose
bucket *without bolt-on cutting edge.

DIMENSIONS

| | Extendahoe® | |
|--------------------------------------|----------------------|---------------------|
| | Retracted | Extended |
| M. Overall transport length – | | |
| General purpose bucket | 22 ft 10 in (6.95 m) | NA |
| 4 IN 1° bucket | 22 ft 8 in (6.92 m) | NA |
| Overall transport width | 7 ft 9 in (2.36 m) | NA |
| Height – | | |
| To top of canopy | 8 ft 11 in (2.71 m) | 8 ft 11 in (2.71 m) |
| To top of cab | 8 ft 11 in (2.73 m) | 8 ft 11 in (2.73 m) |
| To top of exhaust stack | 8 ft 9 in (2.66 m) | 8 ft 9 in (2.66 m) |
| N. Transport | 11 ft 4 in (3.44 m) | NA |
| Ground clearance at backhoe frame | 14.5 in (366 mm) | 14.5 in (366 mm) |
| Angle of departure | 20° | 20° |
| Front wheel tread – | | |
| 2WD | 72.7 in (1.85 m) | 72.7 in (1.85 m) |
| 4WD | 77.0 in (1.96 m) | 77.0 in (1.96 m) |
| Rear wheel tread | 69.6 in (1.77 m) | 69.6 in (1.77 m) |
| Width across front tires | | |
| 2WD | 88.3 in (2.24 m) | 88.3 in (2.24 m) |
| 4WD | 89.6 in (2.28 m) | 89.6 in (2.28 m) |
| Width across rear tires | 91.8 in (2.33 m) | 91.8 in (2.33 m) |
| O. Wheelbase – | | |
| 2WD | 84 in (2.13 m) | 84 in (2.13 m) |
| 4WD | 84.5 in (2.15 m) | 84.5 in (2.15 m) |

NOTE: Dimensions taken with 21L x 24 rear tires and 12.5/80 x 18 front tires except that data marked 2WD is taken with 14.5/75 x 16.1 front tires.

CYLINDERS

| | Bore Diameter | Rod Diameter | Stroke |
|------------------|--------------------|-------------------|------------------|
| Loader | | | |
| Lift (2) | 3.25 in (82.6 mm) | 1.75 in (44.5 mm) | 30.2 in (766 mm) |
| Bucket (2) | 3.0 in (76 mm) | 1.5 in (38.1 mm) | 20.6 in (522 mm) |
| 4 IN 1° clam (2) | 3.0 in (76 mm) | 1.75 in (44.5 mm) | 9.1 in (231 mm) |
| Backhoe | | | |
| Boom | 5.25 in (133.4 mm) | 2.50 in (63.5mm) | 33.2 in (842 mm) |
| Dipperstick | 5.0 in (127 mm) | 2.5 in (63 mm) | 22.9 in (583 mm) |
| Bucket | 3.5 in (89 mm) | 2.5 in (63 mm) | 34.3 in (872 mm) |
| Extendahoe® | 3.0 in (76 mm) | 1.75 in (44.5 mm) | 42.0 in (1.07 m) |
| Swing (2) | 4.0 in (101.6 mm) | 2.0 in (50.8 mm) | 11.5 in (292 mm) |
| Stabilizer (2) | 4.25 in (108 mm) | 2.0 in (50.8 mm) | 20.4 in (519 mm) |
| Steering | | | |
| 2WD | 2.75 in (69.9 mm) | 1.5 in (38.1 mm) | 6.7 in (170 mm) |
| 4WD | 2.48 in (63 mm) | 1.5 in (38.1 mm) | 9.53 in (242 mm) |

BACKHOE LIFT CAPACITIES

| Boom Lift | Distance from swing pivot (m) | Extendahoe® | |
|---------------------|-------------------------------|---------------------------------|---------------------------------|
| | | Retracted | Extended |
| | | Backhoe lift capacity – lb (kg) | Backhoe lift capacity – lb (kg) |
| +16 ft (4.87 m) | | | 12 ft 5 in (3.79) 1,350 (612) |
| +14 ft (4.27 m) | 9 ft 6 in (2.89) | 2,350 (1066) | 14 ft 7 in (4.45) 1,775 (805) |
| +12 ft (3.66 m) | 11 ft 10 in (3.61) | 2,575 (1168) | 16 ft 2 in (4.93) 1,850 (839) |
| +10 ft (3.05 m) | 13 ft 4 in (4.06) | 2,700 (1225) | 17 ft 2 in (5.23) 1,875 (850) |
| +8 ft (2.44 m) | 14 ft 5 in (4.40) | 2,650 (1202) | 18 ft 0 in (5.49) 1,875 (850) |
| +6 ft (1.83 m) | 15 ft 2 in (4.62) | 2,600 (1179) | 18 ft 7 in (5.67) 1,875 (850) |
| +4 ft (1.22 m) | 15 ft 6 in (4.72) | 2,575 (1168) | 18 ft 10 in (5.74) 1,875 (850) |
| +2 ft (0.61 m) | 15 ft 7 in (4.75) | 2,525 (1145) | 18 ft 11 in (5.77) 1,850 (839) |
| Ground Level | 15 ft 5 in (4.70) | 2,425 (1100) | 18 ft 10 in (5.74) 1,850 (839) |
| -2 ft (0.61 m) | 15 ft 0 in (4.57) | 2,400 (1088) | 18 ft 5 in (5.62) 1,800 (816) |
| -4 ft (1.22 m) | 14 ft 2 in (4.32) | 2,300 (1043) | 17 ft 9 in (5.41) 1,800 (816) |
| -6 ft (1.83 m) | 12 ft 10 in (3.91) | 2,300 (1043) | 16 ft 9 in (5.11) 1,800 (816) |
| -8 ft (2.44 m) | 11 ft 2 in (3.40) | 2,300 (1043) | 15 ft 7 in (4.75) 1,800 (816) |
| -10 ft (3.05 m) | 8 ft 7 in (2.62) | 2,425 (1099) | 13 ft 11 in (4.24) 1,850 (839) |
| -12 ft (3.66 m) | | | 11 ft 7 in (3.53) 2,025 (918) |
| -14 ft (4.27 m) | | | 7 ft 11 in (2.41) 2,450 (1111) |
| Dipper Lift | | | |
| +14 ft (4.27 m) | | | 13 ft 4 in (4.06) 2,580 (1170) |
| +12 ft (3.66 m) | 10 ft 7 in (3.23) | 4,360 (1978) | 14 ft 3 in (4.35) 2,680 (1216) |
| +10 ft (3.05 m) | 11 ft 2 in (3.40) | 4,190 (1901) | 14 ft 6 in (4.42) 2,700 (1225) |
| +8 ft (2.44 m) | 10 ft 11 in (3.33) | 4,160 (1887) | 14 ft 5 in (4.40) 2,880 (1306) |
| +6 ft (1.83 m) | 10 ft 2 in (3.10) | 4,680 (2123) | 13 ft 11 in (4.24) 2,910 (1320) |
| +4 ft (1.22 m) | 8 ft 3 in (2.58) | 5,590 (2536) | 12 ft 11 in (3.94) 3,050 (1383) |

BACKHOE OPERATIONAL DATA

| | Extendahoe® | |
|---|--|--|
| | Retracted | Extended |
| Digging depth – | | |
| Maximum | 14 ft 10 in (4.52 m) | 18 ft 3 in (5.56 m) |
| Maximum w/hi-capacity bucket | 15 ft 3 in (4.65 m) | 18 ft 8 in (5.69 m) |
| 2 ft (610 mm) flat bottom | 14 ft 8 in (4.47 m) | 18 ft 2 in (5.54 m) |
| 8 ft (2.44 m) flat bottom | 13 ft 9 in (4.19 m) | 17 ft 6 in (5.33 m) |
| Overall reach from – | | |
| Rear axle centerline | 22 ft 0 in (6.70 m) | 25 ft 5 in (7.75 m) |
| Swing pivot | 18 ft 5 in (5.61 m) | 21 ft 10 in (6.65 m) |
| Loading height | 11 ft 5 in (3.48 m) | 13 ft 3 in (4.04 m) |
| Loading reach – dipper retracted | 8 ft 8 in (2.64 m) | 11 ft 6 in (3.50 m) |
| Swing arc | 180° | 180° |
| Bucket rotation – | | |
| #1 position | 164° | 164° |
| #2 position | 190° | 190° |
| Stabilizer spread – operating | 11 ft 1 in (3.38 m) | 11 ft 1 in (3.38m) |
| Digging force – | | |
| Bucket cylinder | 12,821 lbf (57 031 N) | 12,821 lbf (57 031 N) |
| Dipper cylinder | 7,784 lbf (25 066 N) w/bucket @ 50° | 5,635 lbf (25 066 N) w/bucket @ 51° |
| Leveling angle | | |
| maximum slope that backhoe will make vertical cut | 12° | 12° |

NOTE: Lift capacities apply straight to the rear of prime mover. Equipped with 24 in (610 mm) Universal H.D. trenching bucket and Case coupler except as noted.

STANDARD EQUIPMENT

OPERATOR'S COMPARTMENT

See page 2

ENGINE

Case Family IV 445TA/E3 non EGR turbocharged diesel
Tier III certified
Integral crank driven balancer
Automatic fan belt tensioner
Integral engine oil cooling
Primary 5 micron fuel filter
Secondary 30 micron fuel filter w/water trap
Dual element air cleaner with integral pre-cleaner
90 amp alternator
(2) 850 CCA 12-volt batteries
Grid heater
Heavy-duty radiator w/deaeration bottle
Non-spark-arresting muffler
Aspirated air cleaner
Swing out fuel cooler
Cruise control

OPTIONAL EQUIPMENT

OPERATOR'S COMPARTMENT

2 door cab with –

Air-conditioning, 100% filtered air, in-cab filter access, 8 adjustable roof vents, 2 floor vents, w/heater
Defroster
Dome light - door activated
Wipers, front and rear
Tinted glass
Floor mat
Cloth air suspension seat
Tilt wheel
Radio-ready kit w/antenna and speakers
Side window partial hold open
Inside release for side windows
Cab Convenience Package
Windshield washer w/adjustable nozzles (front & rear)
Reduced sound level to 72 dB(A)
Sun visor
Vinyl-covered interior

LOADER

See page 2

BACKHOE

See page 2

POWERTRAIN

4WD
4F/4R Power shuttle synchromesh transmission
Torque converter
Transmission de-clutch
Electro-hydraulic differential lock
Hydrostatic steering
Wet disc brakes
Remote lube front axle pivot

HYDRAULICS

2-spool loader control valve
7-spool backhoe control valve
Heavy-duty oil cooler

OTHER

Forward tilt engine hood
Replaceable, molded front bumpers
Front/rear tie downs
Reflective logos
Lights - Cab and Canopy
(2) Rear tail/stop
(2) Front flashers/turn
(2) Rear flashers/turn
(2) Front & 4 rear adjustable halogen lights (55 w)
Tool box
900 lb (408 kg) counterweight
3 in (76 mm) retractable seat belt
Ride control
Flip over stabilizer pads

Cab, right door

Canopy Convenience Package

Front windshield w/wiper & washer
85 dB(A) sound
Floor mat
Sun visor

LOADER

Hydraulic attachment coupler
Attachment auxiliary hydraulics
3-spool valve hydraulics w/thumb controlled electro hydraulic switch w/detent
Buckets (see page 2)

BACKHOE

Case integrated hydraulic coupler
Buckets (see page 2)

ENGINE

Spark arresting muffler

POWERTRAIN

4 x 3 Powershift transmission with Autoshift (4WD unit only)
Comfort Steer

HYDRAULICS

Auxiliary backhoe uni-directional hydraulics
Auxiliary backhoe bi-directional hydraulics
Button operated for pilot controls

OTHER

Special paint

NOTE: All specifications are stated in accordance with SAE Standards or Recommended Practices, where applicable.

NOTE: All engines meet current EPA emissions requirements.

IMPORTANT: Case Construction Equipment Inc. reserves the right to change these specifications without notice and without incurring any obligation relating to such change. Case Construction Equipment Inc. does not warrant the safety or reliability of attachments from other manufacturers.

Case is a registered trademark of CNH America LLC. Any trademarks referred to herein, in association with goods and/or services of companies other than CNH America LLC, are the property of those respective companies.

