



**TIER II CERTIFIED**

# 590 Super M Series 2 Loader/Backhoe

## ENGINE

Model..... Case Family III  
445T/M2 diesel, Tier II certified  
Type..... 4-stroke, turbocharged  
Cylinders..... 4  
Bore/Stroke..... 4.09" x 5.19"  
(104 x 132 mm)  
Displacement..... 272 in<sup>3</sup> (4.5 L)  
Fuel injection..... Direct  
Fuel..... Diesel  
Fuel filter..... w/water trap  
Air intake..... Cross-flow  
Cooling..... Liquid  
Engine speeds\* (rpm)  
Rated speed, full load..... 2200  
Low idle..... 800 - 900  
High idle, no load..... 2380 - 2480  
Horsepower  
Gross..... 99 (74 kW) @ 2200 rpm  
Net..... 98 (73 kW) @ 2200 rpm  
Maximum torque @ 1400 rpm  
Gross..... 294 lb-ft (398 N·m)  
Net..... 289 lb-ft (392 N·m)  
Torque rise at rated speed..... 24%

NOTE: \*Engine speeds with standard transmission. Meets federal emission regulations.

## ENGINE COOLING

Radiator  
Core type..... Square wave  
Core size area..... 487 in<sup>2</sup> (.315 m<sup>2</sup>)  
Rows of tubes..... 5  
Fan  
Style..... Viscous 9 blade suction  
Diameter..... 19.2" (488 mm)  
Ratio..... 1.35:1  
Water pump  
Style..... Integral  
Engine oil  
Pump..... Deep sump plate cooler with pressurized under-piston nozzles  
Pump operating angle ratings  
Side-to-side..... Rated 35°  
Fore and aft..... Rated 35°  
Oil filtration..... Replaceable, full-flow cartridge

## TIRES

Front  
2WD - 14.5/75 x 16.1, 10-ply  
4WD - 14 x 17.5, 10-ply  
Rear  
2/4WD - 21L x 24, 10-ply

## POWERTRAIN

Transmission..... 4-speed synchromesh with hydraulically actuated clutches and electric F/R shuttle control, clutch disconnect buttons on the transmission shifter and loader control lever  
Gear ratios Forward Reverse  
1st..... 5.491..... 4.550  
2nd..... 3.043..... 2.522  
3rd..... 1.584..... 1.313  
4th..... 0.793..... 0.657  
Torque converter  
Ratio..... 2.63  
Differential lock..... On-the-go push-button activation  
Front 4WD axle  
Differential ratio..... 2.308  
Planetary hub ratio..... 6.0  
Total reduction ratio..... 13.846  
Rear axle  
Differential ratio..... 2.75  
Planetary hub ratio..... 6.0  
Total reduction ratio..... 16.5  
Service brakes.. Individually applied, hydraulically actuated, maintenance-free, self-adjusting, inboard mounted, wet disc  
Disc area..... 59.6 in<sup>2</sup> (.038 m<sup>2</sup>)  
Parking brakes..... Mechanically applied with electric activation sensors at each brake  
Travel speeds - mph (km/h)  
1st 2nd 3rd 4th  
Forward..... 3.5..... 6.7..... 13.5..... 25.5  
(5.7) (10.8) (21.7) (41.0)  
Reverse..... 4.3..... 8.1..... 16.3..... 30.8  
(6.9) (13.0) (26.2) (49.6)

NOTE: Travel speeds at 2324 engine rpm.

## ELECTRICAL

Voltage..... 12 volts, negative ground  
Alternator..... 90 amp  
Battery..... 850 cold-cranking amps  
Optional batteries..... (2) 600 cold-cranking amps  
Power plugs..... (2) 30 amps ea.

## HYDRAULICS

Pump..... Gear-type tandem, transmission driven  
Main relief pressure  
3050 + 50 - 50 psi @ 42.5 gpm  
(210 + 3 - 3 bar @ 161 L/min)  
Filtration..... 7-micron, full flow replaceable cartridge on return line, condition indicator light for filter  
Oil cooler..... Heavy-duty  
Loader flow @ rated engine rpm  
31.5 gpm @ 3050 psi  
(121 L/min @ 210 bar)  
Loader control valve..... Monoblock single lever control for lift, tilt and auxiliary hydraulics, positive hold float and return-to-dig  
Loader auxiliary hydraulics with full loader flow available  
14 to 31.5 gpm  
(53 to 119 L/min)  
Backhoe flow @ rated engine rpm  
42.5 gpm @ 3050 psi  
(161 L/min @ 210 bar)

### Manual Backhoe Controls

Backhoe Control Valve... Monoblock open-center, parallel circuits  
Boom and dipper, with pilot operated checks.

### Pilot Backhoe Controls

Backhoe Control Valve..... Sectional closed-center with inlet compensator and circuits in parallel.

### Backhoe auxiliary hydraulics.....

Uni-directional flow, adjustable  
variable flow from 0 to 36 gpm  
(136L/min)

### Control Operation

Manual... Foot switch activated  
Pilot..... Button on left joystick

Bi-Directional flow, variable flow from 0 to 42.5 gpm  
(161 L/min) @ rated engine rpm

### Control operation

Manual..... Hand lever  
Pilot..... Buttons on left joystick

## OPERATOR ENVIRONMENT

ROPS/FOPS canopy  
 Key start  
 Hydrostatic steering  
 Non-suspension seat w/180° swivel  
 Hand and foot throttles  
 Loader control lever w/push-button activation of differential lock and transmission de-clutch  
 Backhoe foot-swing w/3 lever control  
 (2) Accessory power plugs (30 amp)  
 Anti-vandalism covers (canopy only)  
 Cup holder  
 Coat hook w/tether strap (cab only)  
 Interior rearview mirror  
 2" (51 mm) retractable seat belt  
 Storage compartment w/lid  
 Left side storage tray

## INSTRUMENTATION

Gauges  
 Engine water temperature  
 Converter oil temperature  
 Fuel  
 Tachometer/hourmeter  
 Voltmeter  
 Warning lights  
 Air cleaner restriction  
 Alternator  
 A/C low/high pressure  
 Cold start  
 Engine oil pressure  
 Hydraulic oil filter bypass  
 Parking brake  
 Rear axle fluid temperature sensing system  
 Low fuel  
 Audible alarms  
 Coolant temperature  
 Engine oil pressure  
 Parking brake engagement  
 Shuttle engagement/seat position  
 Backup alarm  
 Turn signal indicators  
 Horn - dual switched front & rear

## TURNING DIAMETER

2WD  
 Brakes on..... 25'0.4" (7.63 m)  
 Brakes off..... 25'11" (7.90 m)  
 4WD – engaged  
 Brakes on..... 26'5" (8.04 m)  
 Brakes off..... 29'10" (9.08 m)  
 4WD – disengaged  
 Brakes on..... 24'8" (7.51 m)  
 Brakes off..... 25'6" (7.78 m)

## OPERATING WEIGHTS

**Lightest Configuration**  
 Unit equipped with 2WD, ROPS canopy, non-suspension seat, 93" (2.36 m) general purpose loader bucket, 24" (610 mm) Universal backhoe bucket, standard dipperstick, 21L x 24 rear tires, 14.5/75 x 16.1 front tires, single battery, standard cast stabilizer pads, no operator ..... 15,268 lb (6926 kg)

**Heavy Configuration**  
 Unit equipped with 4WD, cab, suspension seat, 93" (2.36 m) 4 IN 1® loader bucket, 24" (610 mm) Universal backhoe bucket, Extindahoe® dipperstick, dual batteries, flip stabilizer pads, no operator ..... 19,578 lb (8881 kg)

### Add-on weights

Cab (over canopy) ... +454 lb (206 kg)  
 Counterweights..... +440 lb (200 kg)  
 +900 lb (408 kg)  
 Extindahoe® ..... +270 lb (122 kg)  
 4WD w/driveshaft guard..... +393 lb (178 kg)

## SERVICE CAPACITIES

Fuel tank..... 42.0 gal (159 L)  
 Hydraulic system  
 Total ..... 34.25 gal (130 L)  
 Total w/Extindahoe® ..... 35.75 gal (135.7 L)  
 Reservoir w/filter.. 14.5 gal (54.9 L)  
 Reservoir w/o filter... 14.0 gal (53 L)  
 Transmission  
 2WD Total system .. 19.5 qt (18.5 L)  
 4WD Total system .. 22.0 qt (20.8 L)  
 4WD Front axle  
 Differential..... 6.9 qt (6.5 L)  
 Planetaries (each)..... 1.1 qt (1.0 L)  
 Rear axle  
 Differential..... 15.0 qt (14.2 L)  
 Planetaries (each)..... 2.0 qt (2.1 L)  
 Engine oil w/filter ..... 14.4 qt (13.6 L)  
 Cooling system  
 w/heater ..... 19.0 qt (18.0 L)  
 w/o heater..... 18.3 qt (17.3 L)  
 Window washer reservoir..... 2.5 qt (2.36 L)

## LOADER

Single-lever control for lift and tilt  
 Positive hold float  
 Return-to-dig  
 Automatic self-leveling  
 In-line, reverse linkage  
 Dual parallel dump cylinders  
 Clutch disconnect button on loader control and shift levers  
 Bucket position indicator

### Loader Bucket Sizes

#### General Purpose Bucket (w/ lift points and bolt-on cutting edge)

Width	Weight	Struck	Heaped
93" (2.36 m)	1,123 lb (509 kg)	1.1 yd <sup>3</sup> (0.84 m <sup>3</sup> )	1.3 yd <sup>3</sup> (1.0 m <sup>3</sup> )
96" (2.44 m)	1,324 lb (601 kg)	1.27 yd <sup>3</sup> (0.97 m <sup>3</sup> )	1.5 yd <sup>3</sup> (1.15 m <sup>3</sup> )

#### 4 IN 1® Bucket

Width	Weight	Struck	Heaped
93" (2.36 m)	1,628 lb (738 kg)	1.0 yd <sup>3</sup> (0.76 m <sup>3</sup> )	1.2 yd <sup>3</sup> (0.92 m <sup>3</sup> )

## BACKHOE

Over-center design  
 Cast, ductile iron boom, and swing tower  
 Open-center hydraulics - Pro Control System  
 17,940 lb-ft (24,370 N-m) swing torque  
 Case attachment coupler  
 Foot-swing w/3 lever control  
 Wing stabilizers w/cleated dirt pad

### Backhoe Bucket Sizes

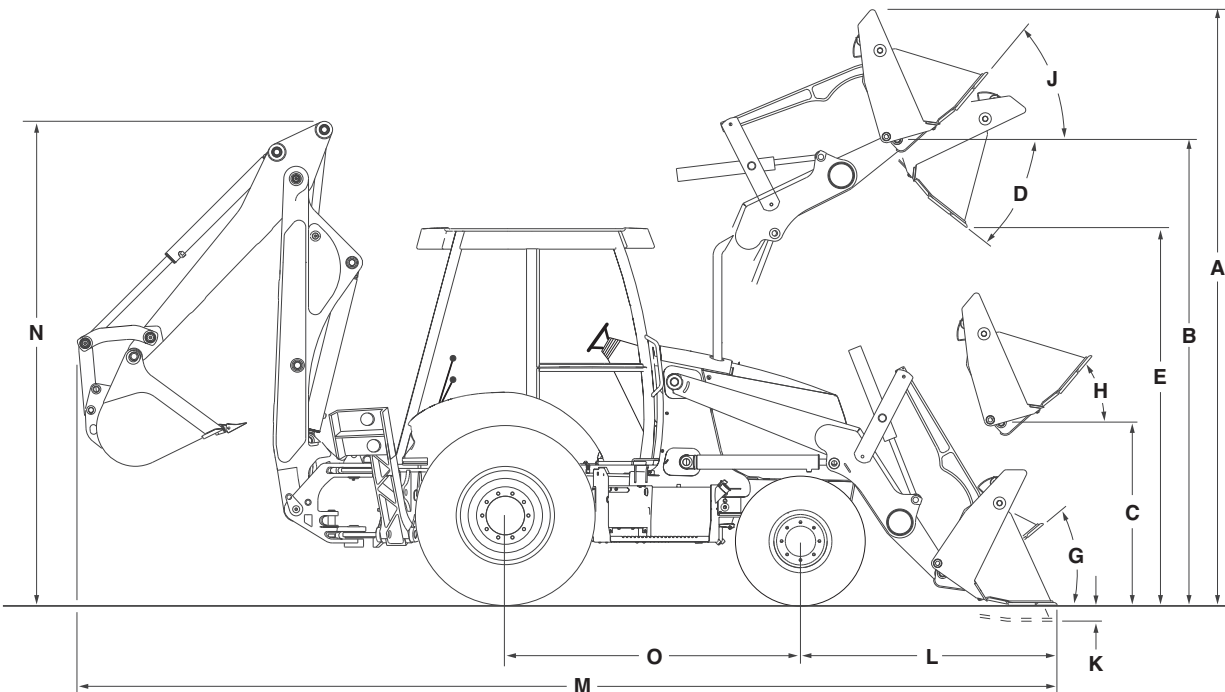
#### Universal Buckets

Width	Weight	Heaped
12" (305 mm)	290 lb (132 kg)	3.40 ft <sup>3</sup> (0.10 m <sup>3</sup> )
16" (406 mm)	346 lb (157 kg)	3.60 ft <sup>3</sup> (0.10 m <sup>3</sup> )
18" (457 mm)	350 lb (159 kg)	5.30 ft <sup>3</sup> (0.15 m <sup>3</sup> )
24" (610 mm)	413 lb (187 kg)	7.70 ft <sup>3</sup> (0.22 m <sup>3</sup> )
30" (762 mm)	475 lb (215 kg)	10.20 ft <sup>3</sup> (0.29 m <sup>3</sup> )
36" (914 mm)	535 lb (243 kg)	12.70 ft <sup>3</sup> (0.36 m <sup>3</sup> )

#### High Capacity Buckets

Width	Weight	Heaped
24" (610 mm)	450 lb (204 kg)	8.50 ft <sup>3</sup> (0.24 m <sup>3</sup> )
30" (762 mm)	517 lb (235 kg)	10.60 ft <sup>3</sup> (0.3 m <sup>3</sup> )

NOTE: Turning diameter dimensions curb to curb w/general purpose bucket.



## LOADER DIMENSIONS

### General Purpose Bucket 4 IN 1<sup>®</sup> Bucket

A. Overall operating height – fully raised .....	14'2" (4.32 m) .....	14'6" (4.43 m)
Height to –		
B. Bucket hinge pin fully raised.....	11'5" (3.47 m).....	11'5" (3.47 m)
C. Bucket hinge pin @ SAE carry .....	13.7" (349 mm) .....	14.9" (379 mm)
D. Dump angle @ full height.....	45° .....	45°
E. Dump clearance @ full height, 45° dump –		
Bucket.....	9'0" (2.75 m) .....	9'2" (2.78 m)
Clam open.....	NA .....	9'10" (3.0 m)
F. Dump reach @ full height, 45° dump –		
Bucket .....	27.5" (699 mm) .....	25.9" (659 mm)
Clam open.....	NA .....	11.5" (293 mm)
Bucket rollback –		
G. @ groundline.....	40° .....	40°
H. @ SAE carry .....	45° .....	45°
J. @ full height.....	Adjustable .....	Adjustable
K. Digging depth below grade –		
Bucket flat.....	3.8" (96 mm) .....	4.3" (109 mm)
Clam open (dozing) .....	NA .....	1.7" (42 mm)
L. Reach from front axle centerline – bucket on ground .....	77.6" (1.97 m).....	75.2" (1.91 m)
Lift capacity to full height .....	7,327 lb (3323 kg) .....	7,437 lb (3373 kg)
Breakout force –		
Lift cylinders.....	10,729 lbf (47 725 N) ..	10,294 lbf (45 790 N)
Dump cylinders .....	10,980 lbf (48 841 N) ..	12,004 lbf (53 396 N)
Bucket cutting edge width.....	93" (2.36 m).....	93" (2.36 m)
Maximum grading angle .....	116° .....	116°
Maximum clam opening.....	NA .....	38.3" (972 mm)
Moldboard height .....	NA .....	36.8" (934 mm)
Raising time to full height .....	4.7 sec.....	4.7 sec
Bucket dumping time.....	1.2 sec.....	1.2 sec
Lowering time –		
Power down .....	2.8 sec.....	2.8 sec
Return-to-dig.....	3.1 sec.....	3.1 sec
Clam –		
Open time .....	NA.....	2.3 sec
Close time .....	NA.....	2.3 sec

NOTE: Loader dimensions taken with 4WD.

# DIMENSIONS

	Standard Backhoe		Extendahoe®	
			Retracted	Extended
M. Overall transport length –				
General purpose bucket.....	23'7" (7.13 m)	23'7" (7.19 m)	NA	NA
4 IN 1® bucket.....	22'7" (6.88 m)	22'8" (6.91 m)	NA	NA
Overall transport width.....	7'9" (2.36 m)	7'9" (2.36 m)	NA	NA
Height –				
To top of canopy.....	8'11" (2.73 m)	8'11" (2.73 m)	8'11" (2.73 m)	8'11" (2.73 m)
To top of cab.....	8'10" (2.69 m)	8'10" (2.69 m)	8'10" (2.69 m)	8'10" (2.69 m)
To top of exhaust stack.....	8'7" (2.62 m)	8'7" (2.62 m)	8'7" (2.62 m)	8'7" (2.62 m)
N. Transport.....	11'2" (3.41 m)	11'7" (3.54 m)	NA	NA
Ground clearance at backhoe frame.....	14.6" (371 mm)	14.8" (375 mm)	14.8" (375 mm)	14.8" (375 mm)
Angle of departure.....	23°	23°	23°	23°
Front wheel tread –				
2WD.....	72.6" (1.84 m)	72.6" (1.84 m)	NA	NA
4WD.....	73.4" (1.86 m)	73.4" (1.86 m)	NA	NA
Rear wheel tread.....	69.9" (1.78 m)	69.9" (1.78 m)	NA	NA
O. Wheelbase –				
2WD.....	84" (2.13 m)	84" (2.13 m)	NA	NA
4WD.....	84.5" (2.15 m)	84.5" (2.15 m)	NA	NA

NOTE: Dimensions taken with 21L x 24 rear tires and 14.5/75L x 16.1 front tires except that data marked 4WD is taken with 14 x 17.5 front tires.

# CYLINDERS

	Bore Diameter	Rod Diameter	Stroke
Loader			
Lift (2).....	3.5" (89 mm)	1.75" (44.5 mm)	30.2" (766 mm)
Bucket (2).....	3.25" (83 mm)	1.75" (44.5 mm)	20.6" (522 mm)
4 IN 1® clam (2).....	3.0" (76 mm)	1.75" (44.5 mm)	9.1" (231 mm)
Backhoe			
Boom.....	5.5" (139.7 mm)	2.5" (63 mm)	38.4" (976 mm)
Dipperstick.....	5.5" (139.7 mm)	2.75" (69.9 mm)	22.2" (564.2 mm)
Bucket.....	3.75" (95 mm)	2.75" (69.9 mm)	34.3" (872 mm)
Extendahoe®.....	3.0" (76 mm)	1.75" (44.5 mm)	48.0" (1.22 m)
Swing (2).....	4.0" (101.6 mm)	2.0" (50.8 mm)	11.5" (292 mm)
Stabilizer (2).....	5.0" (127 mm)	2.25" (57.2 mm)	20.4" (519.4 mm)
Steering			
2WD.....	2.75" (69.9 mm)	1.5" (38.1 mm)	6.7" (170 mm)
4WD.....	2.48" (63 mm)	1.5" (38.1 mm)	9.53" (242 mm)

# BACKHOE LIFT CAPACITIES

Boom and Dipper Lift Capacities are rated per SAE J31 and are 87% of the maximum hydraulic lift force available with the specified options.

Boom Lift	Standard Backhoe		Extendahoe®			
	Distance from swing pivot (m)	Backhoe lift capacity - lb (kg)	Retracted	Retracted	Extended	Extended
			Distance from swing pivot (m)	Backhoe lift capacity - lb (kg)	Distance from swing pivot (m)	Backhoe lift capacity - lb (kg)
+18' (5.48 m)						1,940 (880)
+16' (4.87 m)		2,870 (1302)			13'6" (4.11)	2,200 (998)
+14' (4.27 m)	9'9" (2.97)	3,590 (1628)	10'8" (3.25)	3,310 (1501)	15'5" (4.70)	2,300 (1043)
+12' (3.66 m)	12'1" (3.69)	3,670 (1665)	12'9" (3.89)	3,280 (1488)	16'10" (5.13)	2,420 (1098)
+10' (3.05 m)	13'8" (4.16)	3,670 (1665)	14'2" (4.32)	3,410 (1547)	17'11" (5.46)	2,370 (1075)
+8' (2.44 m)	14'8" (4.47)	3,620 (1642)	15'2" (4.62)	3,330 (1510)	18'9" (5.72)	2,420 (1098)
+6' (1.83 m)	15'3" (4.65)	3,550 (1610)	15'11" (4.85)	3,390 (1538)	19'3" (5.87)	2,420 (1098)
+4' (1.22 m)	15'8" (4.77)	3,460 (1569)	16'3" (4.96)	3,280 (1488)	19'7" (5.97)	2,310 (1048)
+2' (0.61 m)	15'10" (4.82)	3,370 (1529)	16'4" (4.98)	3,210 (1456)	19'8" (5.99)	2,290 (1039)
Ground Level	15'7" (4.75)	3,330 (1510)	16'1" (4.91)	3,120 (1415)	19'6" (5.94)	2,260 (1025)
-2' (0.61 m)	15'1" (4.60)	3,250 (1474)	15'8" (4.77)	3,010 (1365)	19'2" (5.84)	2,230 (1012)
-4' (1.22 m)	14'4" (4.37)	3,110 (1411)	14'11" (4.55)	2,950 (1338)	18'6" (5.64)	2,220 (1007)
-6' (1.83 m)	13'2" (4.01)	3,040 (1379)	13'9" (4.19)	2,850 (1293)	17'8" (5.38)	2,140 (971)
-8' (2.44 m)	11'5" (3.48)	2,960 (1343)	12'2" (3.71)	2,840 (1288)	16'6" (5.03)	2,110 (957)
-10' (3.05 m)	8'9" (2.67)	2,960 (1343)	9'10" (2.99)	2,810 (1275)	14'10" (4.52)	2,090 (948)
-12' (3.66 m)		2,930 (1329)	5'8" (1.72)	2,880 (1306)	12'9" (3.89)	2,180 (989)
-14' (4.27 m)					9'9" (2.97)	2,240 (1016)
-15' (4.57 m)					6'0" (1.83)	2,490 (1129)
<b>Dipper Lift</b>						
+16' (4.87 m)					12'10" (3.91)	2,810 (1275)
+14' (4.27 m)	9'5" (2.87)	4,800 (2177)	10'2" (3.10)	4,850 (2200)	14'0" (4.27)	2,940 (1334)
+12' (3.66 m)	10'7" (3.23)	5,290 (2399)	11'2" (3.40)	5,310 (2409)	14'7" (4.45)	3,080 (1397)
+10' (3.05 m)	11'0" (3.35)	5,580 (2531)	11'6" (3.50)	5,510 (2500)	14'9" (4.50)	3,100 (1406)
+8' (2.44 m)	10'7" (3.23)	5,750 (2608)	11'2" (3.40)	5,720 (2595)	14'8" (4.47)	3,150 (1429)
+6' (1.83 m)	9'4" (2.84)	5,630 (2554)	10'1" (3.08)	5,740 (2604)	14'0" (4.27)	3,190 (1447)
+4' (1.22 m)	6'0" (1.83)	6,490 (2944)	7'4" (2.23)	6,590 (2989)	12'9" (3.89)	3,290 (1492)

# BACKHOE OPERATIONAL DATA

	Standard Backhoe		Extendahoe®	
			Retracted	Extended
<b>Digging depth –</b>				
Maximum	15'11" (4.85 m)		15'11" (4.85 m)	19'11" (6.07 m)
Maximum w/hi-capacity bucket	16'4" (4.98 m)		16'4" (4.98 m)	20'4" (6.20 m)
2' (610 mm) flat bottom	15'10" (4.83 m)		15'10" (4.83 m)	19'10" (6.05 m)
8' (2.44 m) flat bottom	14'11" (4.55 m)		14'11" (4.55 m)	19'2" (5.84 m)
<b>Overall reach from –</b>				
Rear axle centerline	23'3" (7.09 m)		23'3" (7.09 m)	27'2" (8.28 m)
Swing pivot	19'8" (5.99 m)		19'8" (5.99 m)	23'7" (7.19 m)
Loading height	11'5" (3.48 m)		11'5" (3.48 m)	13'9" (4.19 m)
Loading reach – dipper retracted	9'6" (2.90 m)		9'6" (2.90 m)	12'9" (3.89 m)
Swing arc	180°		180°	180°
<b>Bucket rotation –</b>				
#1 position	164°		164°	164°
#2 position	200°		190°	190°
Stabilizer spread – operating	11'1" (3.38 m)		11'1" (3.38 m)	11'1" (3.38 m)
<b>Digging force –</b>				
Bucket cylinder	14,718 lbf (65 469 N)		14,718 lbf (65 469 N)	14,718 lbf (65 469 N)
Dipper cylinder	8,449 lbf (37 583 N)		8,449 lbf (37 583 N)	5,999 lbf (26 685 N)
	w/bucket @ 50°		w/bucket @ 50°	w/bucket @ 51°
<b>Leveling angle</b>				
maximum slope that backhoe will make vertical cut	12°		12°	12°

NOTE: Lift capacities apply straight to the rear of prime mover. Equipped with 24" (610 mm) Universal H.D. trenching bucket and Case coupler except as noted.

## STANDARD EQUIPMENT

### OPERATOR'S COMPARTMENT

See page 2

### ENGINE

Case Family III 445T/M2  
turbocharged diesel  
Tier II certified  
Integral crank driven balancer  
Automatic fan belt tensioner  
Viscous fan drive  
Integral engine oil cooling  
Fuel filter w/water trap  
KKSBB starter timing control  
Dual element air cleaner  
with integral pre-cleaner  
90 amp alternator  
850 CCA 12-volt battery  
Heavy-duty radiator w/deaeration  
bottle  
Non-spark-arresting muffler

### LOADER

See page 2

### BACKHOE

See page 2

### POWERTRAIN

2WD  
4F/4R Power shuttle synchromesh  
transmission  
Torque converter  
Transmission de-clutch  
Electro-hydraulic differential lock  
Hydrostatic steering  
Wet disc brakes  
Remote lube front axle pivot

### HYDRAULICS

2-spool loader control valve  
6-spool backhoe control valve  
Heavy-duty oil cooler

### OTHER

Forward tilt engine hood  
Replaceable, molded front bumpers  
Front/rear tie downs  
Reflective logos  
Lights - Cab and Canopy  
2 Rear tail/stop  
2 Front flashers/turn  
2 Rear flashers/turn  
4 Front & 4 rear adjustable  
halogen lights (55 w)

## OPTIONAL EQUIPMENT

### OPERATOR'S COMPARTMENT

Cab with –  
Heater  
Defroster  
Dome light  
Wipers, front and rear  
Tinted glass  
Floor mat  
Side window partial hold open  
Inside release for side windows  
Operator Convenience Package  
Tilt wheel  
Windshield washer w/adjust-  
able nozzles (front & rear)  
Sun visor  
Deluxe Cab Package  
Operator Convenience Package  
PLUS  
Vinyl-covered interior  
Radio-ready kit w/antenna and  
speakers  
Reduced sound level to 72 dB(A)  
Vinyl or cloth-covered mechanical  
suspension seat  
Air Ride suspension seat  
3" (76 mm) retractable seat belt  
Cab air-conditioning, 100% filtered  
air, in-cab filter access, 8  
adjustable roof vents, 2 floor  
vents, w/heater  
Ride Control  
Cab right door

Canopy Convenience Package  
Front windshield w/wiper &  
washer  
85 dB(A) sound  
Floor mat  
Sun visor

### LOADER

Hydraulic attachment coupler  
Attachment auxiliary hydraulics  
Buckets (see page 2)

### BACKHOE

Case hydraulic coupler  
Buckets (see page 2)  
Extendahoe®  
Two-lever control  
Pilot Operated Control System  
Fingertip Proportional  
Electrohydraulic stabilizer controls.  
Thumb operated Proportional  
Electrohydraulic Extendahoe  
control  
Thumb operated horn button  
Thumb operated Auxiliary  
Hydraulic Control  
Infinitely Adjustable Towers  
In-Cab Switchable "Excavator to  
Backhoe" control pattern change  
Stabilizer pads  
Flip-over  
Rubber pad  
Front counterweights  
440 lb (200 kg)  
900 lb (408 kg)

### ENGINE

Cold weather grid heater starting aid  
Dual, 12-volt, 600CCA batteries  
Exhaust aspirated air cleaner

### POWERTRAIN

4WD w/outboard planetary drive,  
on-the-go push-button activation  
and 14 x 17.5 front tires  
Powershift transmission with  
Autoshift (4WD unit only)

### HYDRAULICS

Auxiliary backhoe uni-directional  
hydraulics  
Auxiliary backhoe bi-directional  
hydraulics  
Hand lever operated for manual  
controls  
Button operated for pilot controls

### OTHER

Outside breakaway mirror  
Rear fender extension  
Tool box  
Special paint

NOTE: All specifications are stated in accordance with SAE Standards or Recommended Practices, where applicable.

NOTE: All engines meet current EPA emissions requirements.

IMPORTANT: CNH America LLC reserves the right to change these specifications without notice and without incurring any obligation relating to such change. CNH America LLC does not warrant the safety or reliability of attachments from other manufacturers.

Case is a registered trademark of CNH America LLC. Any trademarks referred to herein, in association with goods and/or services of companies other than CNH America LLC, are the property of those respective companies.

[www.casece.com](http://www.casece.com)

CASE IS A BRAND OF CNH, A GLOBAL LEADER FOR CONSTRUCTION EQUIPMENT, AGRICULTURAL EQUIPMENT AND FINANCIAL SERVICES.