



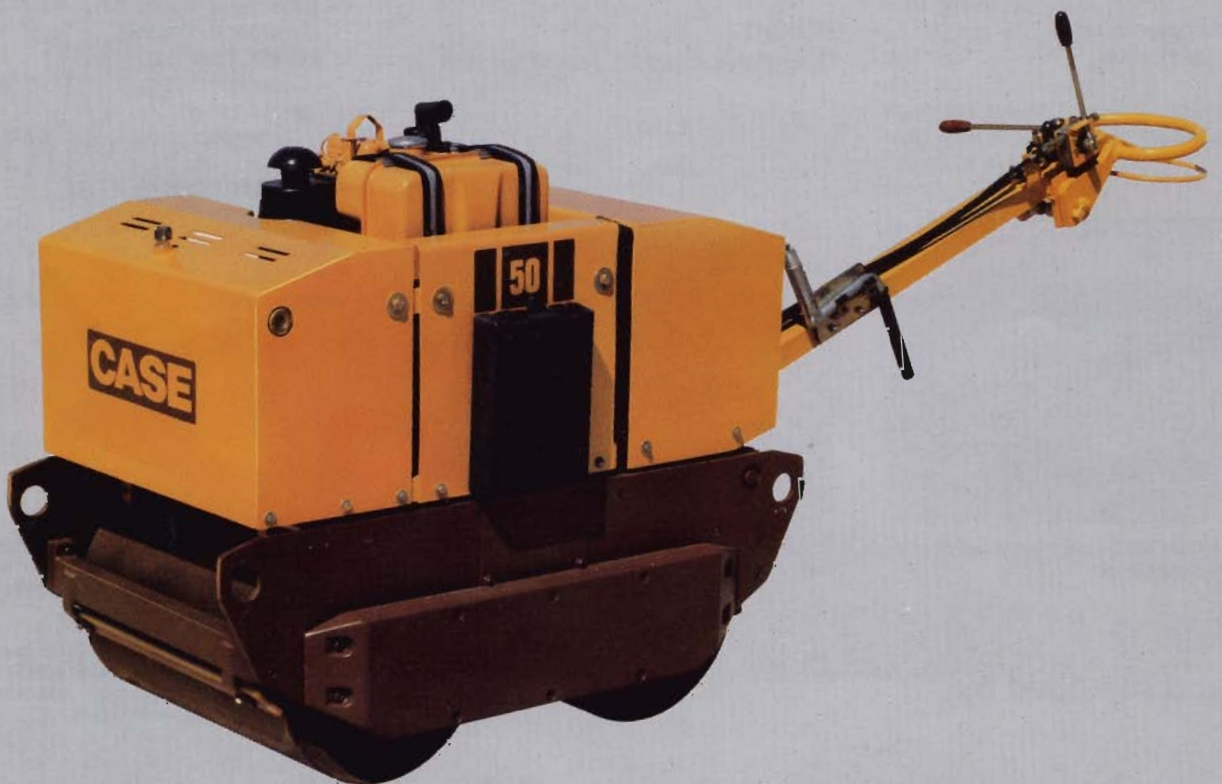
MODEL .

Vibratory Roller

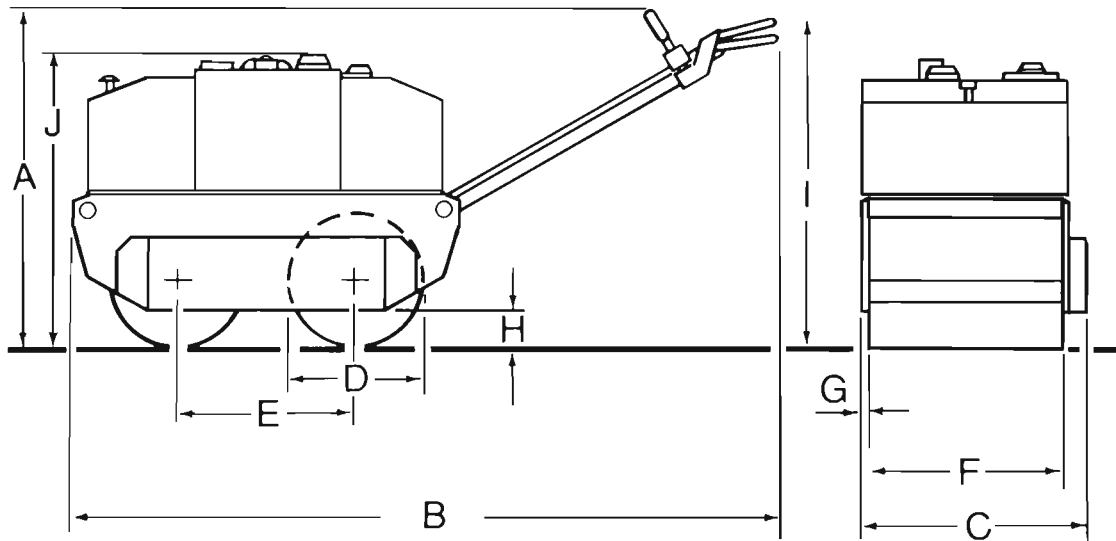
Hydrostatic drive matches soil conditic

7.2 hp (5.4 kW) diesel engi

Compacts material to 12" (305 mm) dep



50 VIBRATORY ROLLER SPECIFICATIONS



ENGINE AND DRIVE

Make Hatz
 Model ES79
 Type 4-cycle
 Horsepower 7.2 (5.4 kW)
 Rpm 3000 (3000 r/min)
 Fuel Diesel
 Fuel filter In-line filter
 Fuel consumption/hour 0.4 gal (1.7 L)
 Eccentric Lubrication Splash
 Air filter Oil bath
 Hydraulic filter Spin-on cartridge
 Drive mechanism .. Hydrostatic with gear
 drive to drums
 Start Crank

OPERATING DATA

Propulsion Hydrostatic drive
 Travel speeds —
 forward/reverse 0-2.5 mph (4 km/h)
 Exciter force 2925 lbf (13 kN)
 Exciter frequency 3300 vpm (55 Hz)
 Depth of compaction 12" (305 mm)

WEIGHT

Operating/shipping 1146 lbs (516 kg)

DIMENSIONS

A. Height — overall 42.5" (1.08 m)
 B. Length — overall 100.25" (25.5 m)
 C. Width — overall 27.25" (692 mm)
 D. Diameter, rollers 15.7" (400 mm)
 E. Wheelbase 21.7" (550 mm)
 F. Width, rollers 23.6" (599 mm)
 G. Clearance, right side. . . 0.87" (22 mm)
 H. Clearance, chassis 4.9" (125 mm)
 I. Height, operator
 control 37.8" (960 mm)
 J. Height to top
 of engine. 36" (914 mm)

FLUID CAPACITIES (U.S.)

Engine oil 1.3 qt (1.2 L)
 Exciter oil 0.16 qt (.15 L)
 Fuel tank 2.1 gal (7.9 L)
 Water system 17 gal (65 L)



Automatic control stops machine when operator releases steering handle.



Eccentric vibrator is engaged by mechanical clutch lever.

NOTE: All specifications taken in accordance with C.I.M.A. - L.E.M.B. Standard #1 Uniform Method for rating vibratory rammers where applicable.

IMPORTANT

J I Case Company reserves the right to change these specifications without notice and without incurring any obligation to such change. Unit illustrated is equipped with non-standard items.

Sold and serviced by:

J I Case

700 State Street Racine, WI 53404 U.S.A.

Building On Quality™