



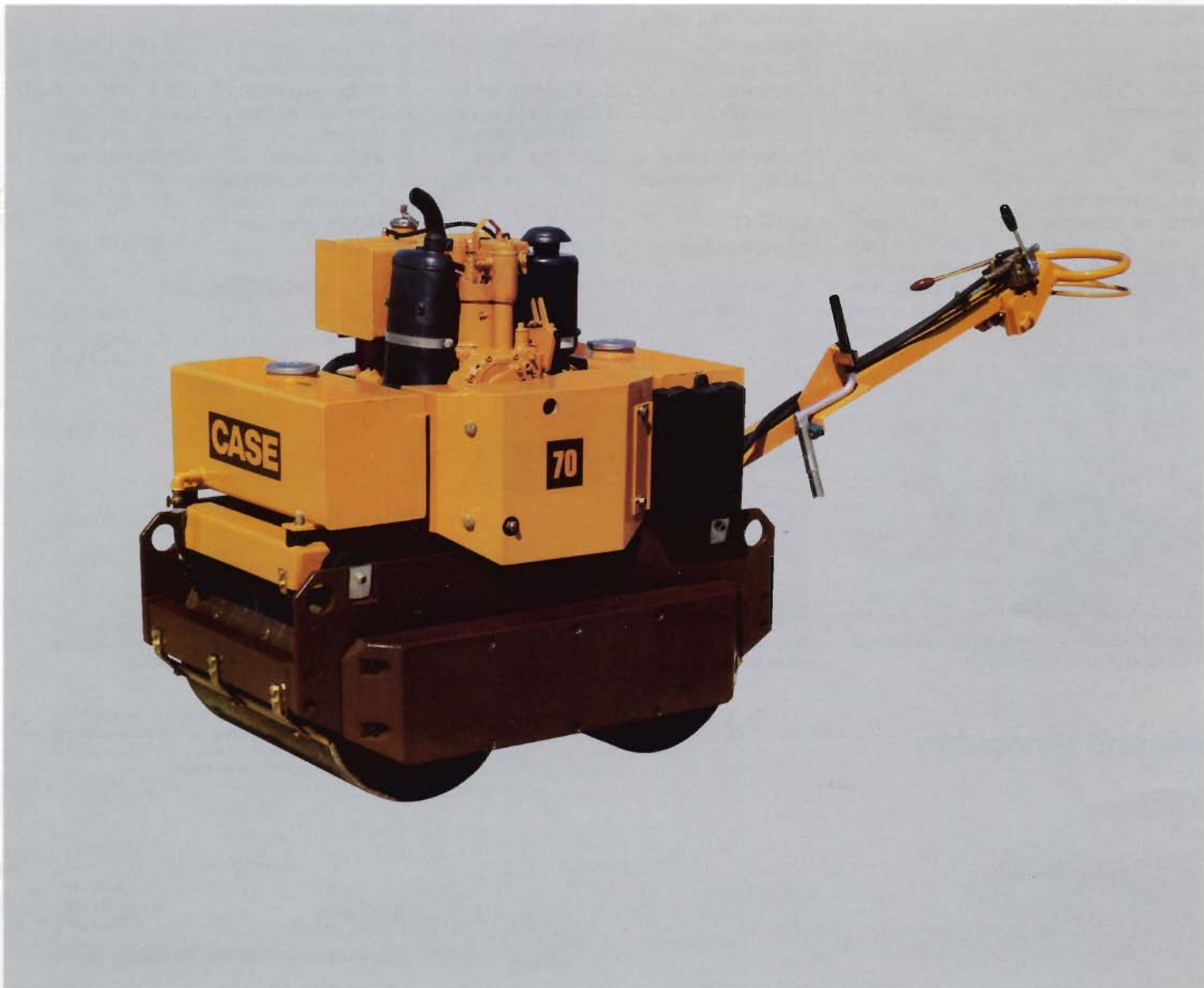
MODEL 70

Vibratory Roller

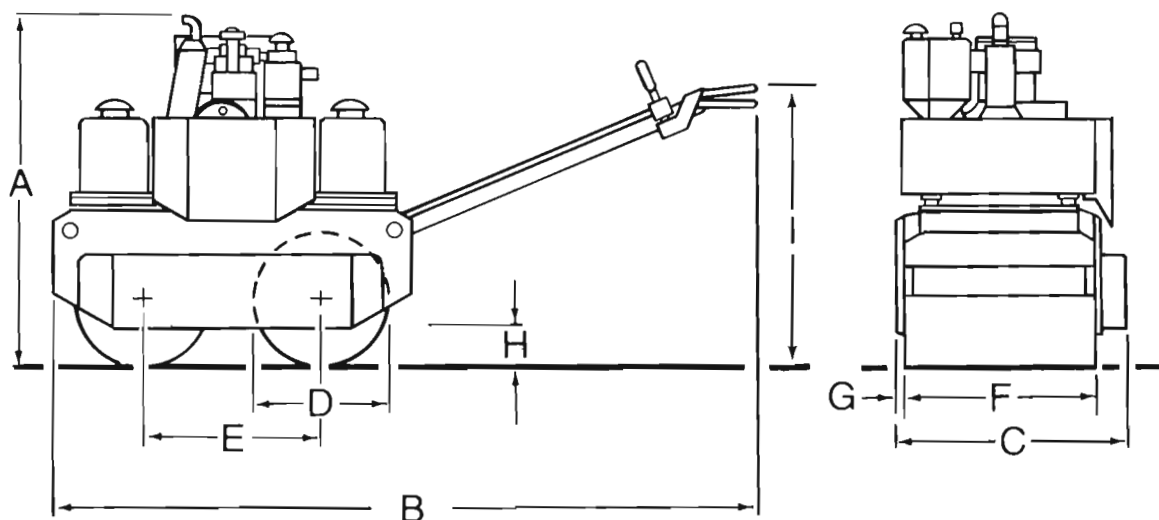
Hydrostatic drive matches soil conditions

8.5 hp (6.3 kW) diesel engine

Compacts material to 14" (356 mm) depth



70 VIBRATORY ROLLER SPECIFICATIONS



ENGINE AND DRIVE

Make Hatz
 Model ES780
 Type 4-cycle
 Horsepower 8.5 (6.3 kW)
 Rpm 2550 (2550 r/min)
 Fuel Diesel
 Fuel filter In-line filter
 Fuel consumption/hour 0.4 gal (1.7 L)
 Eccentric lubrication Splash
 Air filter Oil bath
 Hydraulic filter Spin-on cartridge
 Drive mechanism Hydrostatic with gear drive to drums
 Start Crank

OPERATING DATA

Propulsion Hydrostatic drive
 Travel speeds:
 forward 0-3.1 mph (5 km/h)
 reverse 0-2.5 mph (4 km/h)
 Exciter force 4500 lbf (20 kN)
 Exciter frequency 3300 vpm (55 Hz)
 Depth of compaction 14" (356 mm)

WEIGHT

Operating/shipping 1587 lbs (720 kg)

DIMENSIONS

A. Height — overall 49.0" (1.25 m)
 B. Length — overall 103.9" (2.64 m)
 C. Width — overall 30.7" (780 mm)
 D. Diameter, drums 17.7" (450 mm)
 E. Wheelbase 23.6" (600 mm)
 F. Width, rollers 25.6" (650 mm)
 G. Clearance, right side 0.8" (20 mm)
 H. Clearance, chassis 4.7" (120 mm)
 I. Height, operator control 41.5" (1.05 m)

FLUID CAPACITIES (U.S.)

Engine oil 2.2 qt (2 L)
 Exciter oil 1.1 qt (1 L)
 Fuel tank 2 gal (7.6 L)
 Water system 21 gal (70 L)



Eccentric vibrator is engaged by mechanical clutch lever at operator's station.



Automatic control stops machine when operator releases steering handle.

Sold and serviced by:

NOTE: All specifications taken in accordance with C.I.M.A. - L.E.M.B. Standard #1 Uniform Method for rating vibratory rammers where applicable.

IMPORTANT

J I Case Company reserves the right to change these specifications without notice and without incurring any obligation to such change. Unit illustrated is equipped with non-standard items.

J I Case

A Tenneco Company

700 State Street Racine, WI 53404 U.S.A.

Building On Quality™