



Hydrostatic Drive Vibratory Rollers



- Hydrostatic drive allows operator to match ground speed to soil conditions for better compaction results.
- Gear drive to drums eliminates adjustment and reduces maintenance.
- Automatic control stops machine when operator releases steering handle.
- Eccentric vibrator is engaged by a mechanical clutch with control located at the operator's station.
- Easy access service points.
- Scrapers manufactured of wear-resistant Vulkolan synthetic materials.

W50B

- Air-cooled 7.2 hp (6.4 kW) diesel engine.
- Drum width of 24" (610 mm) permits work in confined areas, capable of climbing 45% (24°) grade.
- Compacts with centrifugal force of 2925 lbs (13 kN) to maximum depth effect of 12" (305 mm).

W70B

- Air-cooled 8.5 hp (6.3 kW) diesel engine.
- Compacts material down to 14" (350 mm) depth.
- Dual eccentric vibrator delivers centrifugal force of 4500 lbs (20 kN).

Unit shown is equipped with non-standard items.

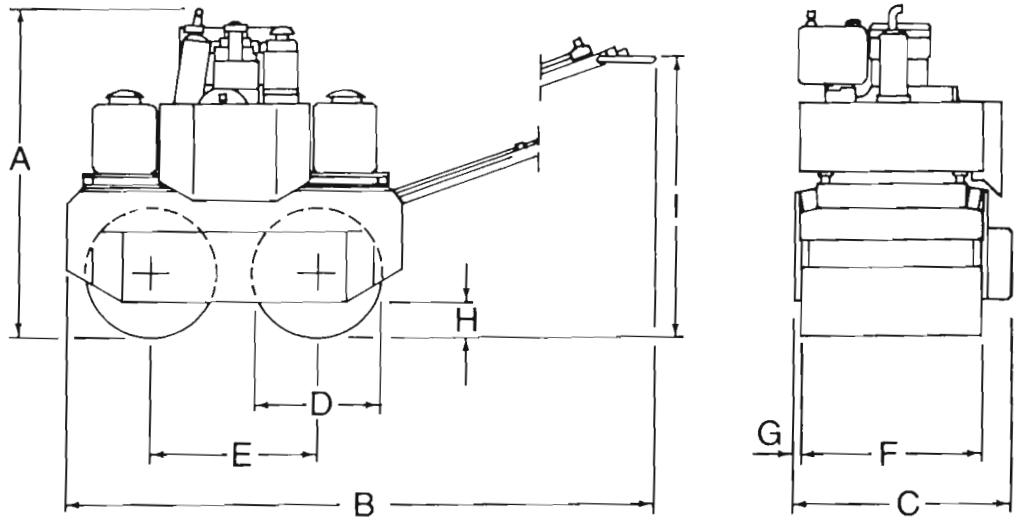
JI Case

A Tenneco Company



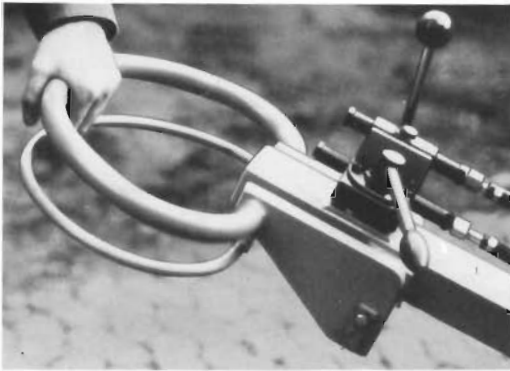
700 State Street Racine, WI 53404 U.S.A.

SPECIFICATIONS W50B/W70B VIBRATORY ROLLERS

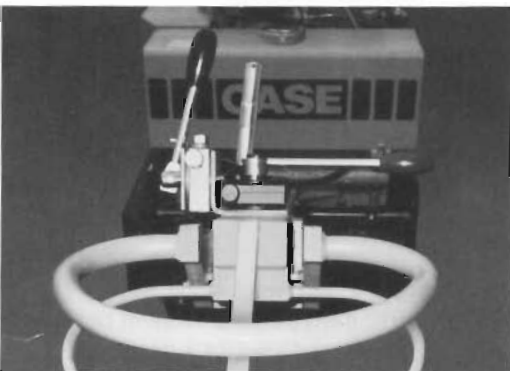


DIMENSIONS

	Description	W50B	W70B
A	Height, top of engine	36" (915 mm)	45.9" (1.17 m)
B	Length, overall w/handle	98" (2.50 m)	110.5" (2.81 m)
C	Width, overall	27.25" (692 mm)	30.7" (780 mm)
D	Diameter, rollers	15.8" (401 mm)	17.7" (450 mm)
E	Wheelbase	21.6" (550 mm)	23.6" (600 mm)
F	Width, rollers	23.6" (599 mm)	25.6" (650 mm)
G	Clearance, right side	.8" (20 mm)	.8" (20 mm)
H	Clearance, chassis	3.75" (95 mm)	4.7" (120 mm)
I	Height, operator control	36.6" (930 mm)	39.2" (995 mm)



Automatic control stops machine when operator releases steering handle.



Eccentric vibrator is engaged by mechanical clutch lever.

ENGINE

	W50B	W70B
Make and model	Hatz ES79	Hatz ES780
Cycles	4	4
Horsepower	7.2 hp (5.4 kW) @ 3000 rpm (50 Hz)	8.5 hp (6.3 kW) @ 2550 rpm (42 Hz)
Fuel	Diesel	Diesel
Fuel capacity	2.1 U.S. gal (7.9 L)	2 U.S. gal (7.6 L)
Speeds/ininitely variable:		
Forward	0-2.5 mph (4 kph)	0-3.1 mph (5 kph)
Reverse	0-2.5 mph (4 kph)	0-2.5 mph (4 kph)
Starting	Crank	Crank

DRIVE

Hydrostatic..... Variable-displacement pump with fixed-displacement motor. Final reduction through gear drive to drums.

OPERATING DATA

Centrifugal force	2925 lbs (13 kN)	4500 lbs (20 kN)
Frequency	3300 vpm (55 Hz)	3300 vpm (55 Hz)
Compaction depth	12" (305 mm)	14" (350 mm)
Maximum grain diameter	Up to 2" (50 mm)	Up to 2" (50 mm)
Water tank capacity	17 U.S. gal (65 L)	21 U.S. gal (70 L)
Maximum permissible grade	45% (24°)	30% w/vibrator engaged. 45% w/vibrator disengaged.
Weight	1146 lbs (516 kg)	1587 lbs (720 kg)

IMPORTANT

J I Case Company reserves the right to change these specifications without notice and without incurring any obligation relating to such change.

SOLD AND SERVICED BY: