



MODEL 900

Plate Compactor

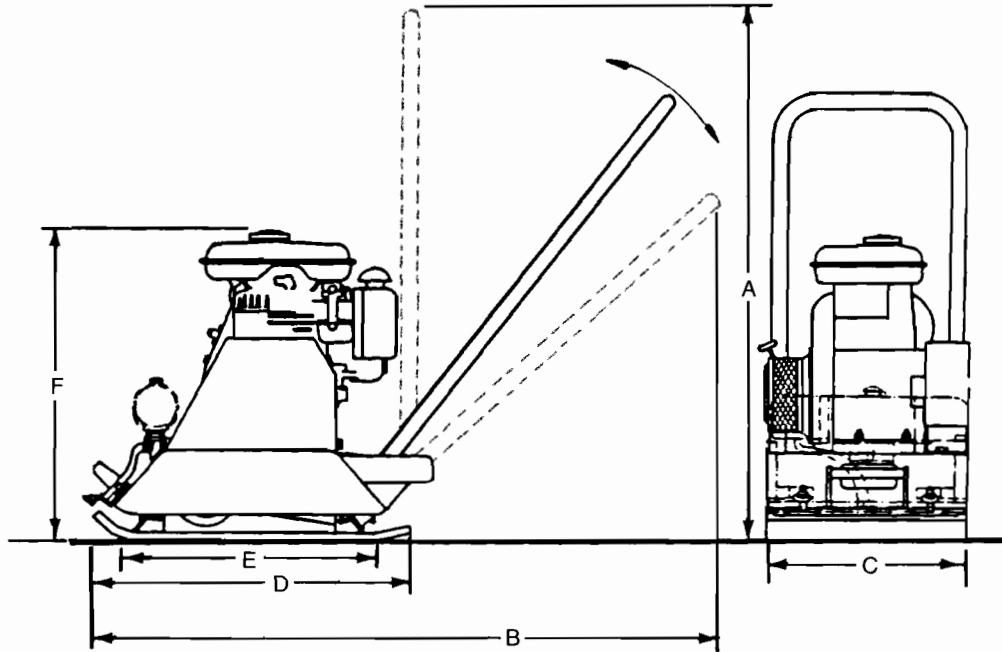
Ideal for most soils, asphalt patching

Compacts up to 11.8" (300 mm) deep

Covers up to 6435 ft²/hr (598 m²/hr)



900 PLATE COMPACTOR SPECIFICATIONS



ENGINE AND DRIVE

Make Robin
 Model EY 20D
 Type 4-stroke
 Horsepower 3.5 hp (2.6 kW)
 Rpm 3600 (3600 r/min)
 Fuel Gasoline
 Fuel filter Screen
 Fuel consumption/hour
 0.17 gal/hr (.65 L/hr)
 Eccentric lubrication Oil bath
 Air filter Dry element
 Drive mechanism Belt/clutch
 Start Recoil

OPERATING DATA

Propulsion Exciter drive
 Travel speeds forward
 78.6 fpm (24 m/min)
 Exciter force 2822 lbf (17.0 kN)
 Exciter frequency 6000 vpm (100 Hz)
 Depth of compaction 11.8" (300 mm)
 Surface coverage .. 6435 ft²/hr (598 m²/hr)

WEIGHT

Operating/shipping 192 lbs (87 kg)

DIMENSIONS

A. Height—overall 41.5" (1.06 m)
 B. Length—overall 45.3" (1.55 m)
 C. Width—overall 16.3" (415 mm)
 C&D.—Overall shoe width and length
 16.3" x 24.2" (415 mm x 615 mm)
 C&E.—Effective shoe width and length
 16.3" x 15.7" (415 mm x 400 mm)
 F. Height to top of engine
 23.6" (600 mm)

FLUID CAPACITIES (U.S.)

Engine crankcase 1.5 qts (1.4 L)
 Engine oil 0.63 gal (0.60 L)
 Exciter, lubrication 0.11 qt (0.10 L)
 Fuel tank 1 gal (3.8 L)
 *Water system 1.06 gal (4 L)

*Standard equipment

NOTE: All specifications taken in accordance with C.I.M.A. - L.E.M.B. Standard #1 Uniform Method for rating vibratory rammers where applicable.

IMPORTANT

J I Case Company reserves the right to change these specifications without notice and without incurring any obligation to such change. Unit illustrated is equipped with non-standard items.

Sold and Serviced by:

J I Case

A Tenneco Company

700 State Street Racine, WI 53404 U.S.A.

Building On Quality™