



MODEL AT40

Reversible Plate

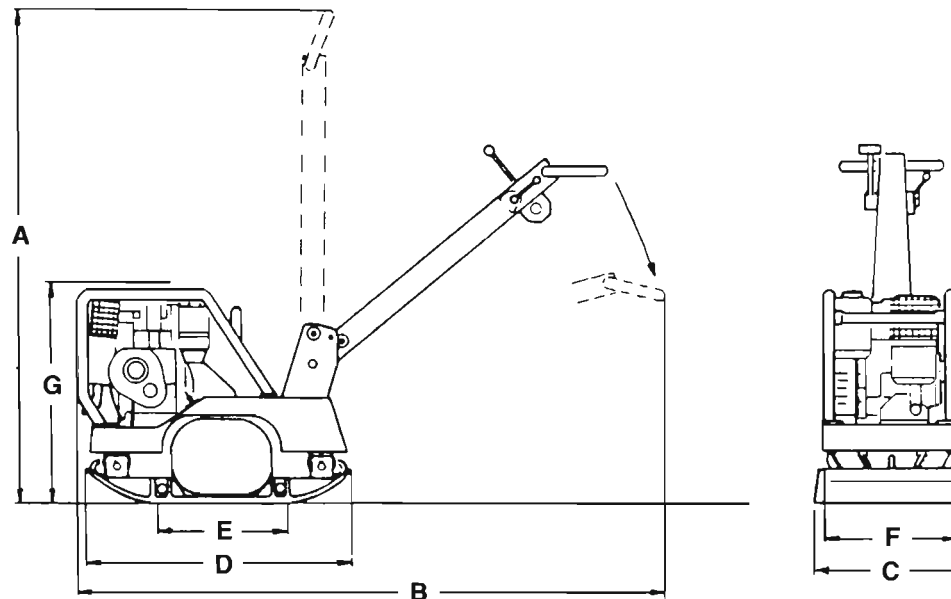
Instant forward-reverse control

Air cooled diesel power

High producers on granular or cohesive soils



AT40 REVERSIBLE PLATE SPECIFICATIONS



ENGINE AND DRIVE

Make Hatz
 Model ES 75
 Type 4-stroke
 Horsepower 6 hp (4.4 kW)
 Rpm 3000 (3000 r/min)
 Fuel No. 2 diesel
 Fuel filter Replaceable cartridge
 Fuel consumption/hour 0.39 gph
 (1.4 Lph)
 Oil filter Screen
 Eccentric lubrication Sealed oil bath
 Air filter Oil bath
 Drive mechanism Belt/clutch
 Start Hand crank

OPERATING DATA

Propulsion Belt driven with centrifugal
 clutch to timed eccentric weights
 Travel speeds forward/reverse 82 fpm
 (25 m/min)
 Exciter force 7194 lbf (32 kN)
 Max depth of compaction 27.6"
 (701 mm)
 Surface coverage Up to 7245 ft²/hr
 (690 m²/hr)
 Vibrations per minute 2580 vpm
 (43 Hz)

WEIGHT

Operating/shipping 772 lbs (350 kg)

DIMENSIONS

A. Height — overall 68.8" (1747 mm)
 B. Length — overall 79.5" (2020 mm)
 C. Width — overall 18.2" (462 mm)
 C. & D. — overall shoe width and length
 18.2" x 35.6" (462 mm x 905 mm)
 E. & F. — effective shoe length and width
 16.9" x 18.2" (430 mm x 462 mm)
 G. Height — top of engine 33.6"
 (853 mm)

FLUID CAPACITIES (U.S.)

Engine crankcase 1.27 qts (1.2 L)
 Engine oil 1 qt (1.2 L)
 Exciter lubrication 1.5 qt (1.4 L)
 Fuel tank 1.32 gals (5 L)

OPTIONS

Extension plates add 9.4" (238 mm) to overall width.

NOTE: All specifications taken in accordance with C.I.M.A. - L.E.M.B. Standard #1 Uniform Method for rating vibratory rammers where applicable.

IMPORTANT

J I Case Company reserves the right to change these specifications without notice and without incurring any obligation to such change. Unit illustrated is equipped with non-standard items.

Sold and serviced by:

J I Case

A Tenneco Company

700 State Street Racine, WI 53404 U.S.A.



Building On Quality™