

The CASE logo is rendered in a stylized, orange font with a black outline, set against a black background. The letters are bold and blocky, with the 'A' and 'E' having a unique, rounded shape. The logo is positioned in the upper left quadrant of the page, to the right of a series of vertical black bars of varying heights.

AVS Vibratory Plate Compactors



Three models handle a wide variety of compacting jobs

- Fast, with travel speeds up to 100 fpm (30.48 m/min).
- Rounded-edge baseplates for smooth finishing, excellent asphalt work.
- Sprinkling system standard on all models.
- Low center of gravity for stability, easy handling.
- Will climb slopes up to 20 degrees (35% grade).
- Depth of compaction to 14" (356 mm).
- Rugged 4-cycle, air-cooled Kohler gasoline engines with recoil start and centrifugal clutch.
- Ductile cast-iron base plate for strength, long life.

AVS 1100

- Highly effective 4 hp (2.98 kW) "light-weight" model weighs only 180 lbs (82 kg).
- Fully enclosed drive, protects parts from abrasive dust and dirt.
- Easily maneuvered for tight corners, curved curblines. Base measures 24.4 x 16.8" (620 mm x 427 mm).
- Ideal for small jobs, patching asphalt, etc.

AVS 1300 Gasoline

- AVS "middleweight" 8 hp (5.97 kW) and about 265 lbs (120 kg).
- Compact and maneuverable with 25.6 x 19.7" (500 mm x 650 mm) base.
- Fully enclosed drive, protects parts from abrasive dust and dirt.
- Excellent choice for patching asphalt, fast coverage of gravel or earth.

AVS 1300 Diesel

- Economy-minded AVS diesel model with 4.75 hp (3.54 kW) and light 275 lbs (125 kg) overall weight.
- Automatic decompression engine, sealed belt drive, and oil splash lubrication.
- Swing-over handle to increase maneuverability in congested areas.

NOTE: Units shown are equipped with nonstandard items.

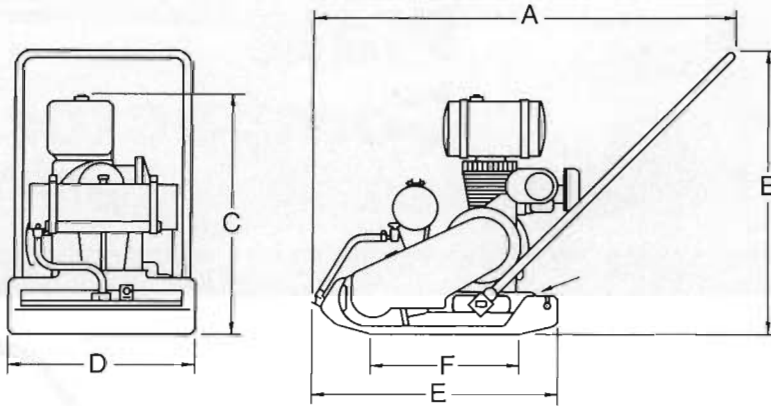
J I Case

A Tenneco Company



Construction Equipment Division
700 State Street, Racine, WI 53404 U.S.A.

Specifications: Case AVS Vibratory Plate Compactors



Low-pivot, swing-over handle and low center of gravity add stability.



Rounded baseplate edges minimize tracking on asphalt.



Carrying handles standard on AVS 1100 and 1300.

Dimensions:	AVS 1100		AVS 1300 (G)		AVS 1300 (D)	
	Inches	mm	Inches	mm	Inches	mm
Length, overall, w/handle	46.7	1186	42.5	1080	49.6	1260
Height, overall, w/handle	33.5	851	33.5	1120	44.1	1120
Height, top of engine	20.7	526	25.0	635	21.7	550
Width, base plate	16.8	427	19.7	500	19.7	500
Length, overall, base plate	24.4	620	27.6	700	26.6	675
Effective length, base plate	15.8	401	15.9	405	15.9	405

Weight:	AVS 1100	AVS 1300 (G)	AVS 1300 (D)
Shipping weight	180 lbs (82 kg)	265 lbs (120 kg)	275 lbs (125 kg)

Engine and Drive:	AVS 1100	AVS 1300 (G)	AVS 1300 (D)
Model (Kohler)	K-91T	K-181T	Faryman K55
Type	Gasoline air-cooled	Gasoline air-cooled	Diesel air-cooled
Cycle	4-stroke	4-stroke	4-stroke
Power	4 hp (2.98 kW)	8 hp (5.97 kW)	4.75 hp (3.54 kW)
RPM	3600	3300	2850
Start	Recoil	Recoil	Recoil
Eccentric lube	Oil bath	Oil bath	Oil bath
Drive mechanism	Belt/clutch	Belt/clutch	Belt/clutch

Operating Data:	AVS 1100	AVS 1300 (G)	AVS 1300 (D)
Depth of compaction	14" (356 mm)	14" (356 mm)	12" (305 mm)
Speed	100 fpm (30.5 m/min)	100 fpm (30.5 m/min)	85 fpm (25.9 m/min)
Surface coverage	8460 sq ft/hr (786 m ² /hr)	9960 sq ft/hr (925 m ² /hr)	8395 sq ft/hr (780 m ² /hr)
Max. climbing ability	(All three — 35% grade/20° angle incline)		
Centrifugal force	2250 lbs (10,000 N)	3600 lbs (16,000 N)	4046 lbs (18,000 N)
Centrifugal force, contact area	9.1 lbs/sq in (.64 kg/cm ²)	12.4 lbs/sq in (1.1 kg/cm ²)	12.8 lbs/sq in (.9 kg/cm ²)
VPM	5400	4950	5400
Water system	Std	Std	Std

Optional Equipment:
Transport cart for all models, Part No. V 34957

Important: J I Case reserves the right to change design, material and/or specifications without notice and without incurring any obligation relating to such changes.

Sold and serviced by: